

REV.
C

SAE AS4705

FEDERAL SUPPLY CLASS
4720

RATIONALE

CORRECTED "MATES WITH" REFERENCE.

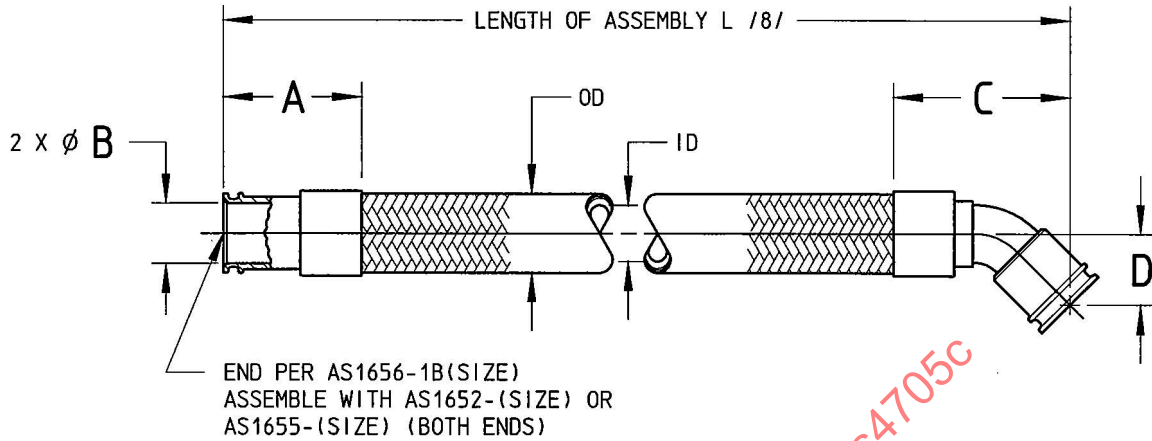


FIGURE 1 - HOSE ASSEMBLY

TABLE 1 - BASIC HOSE AND END FITTING DIMENSIONS

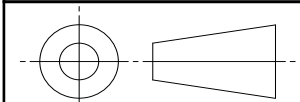
BASIC NO. AND SIZE CODE	HOSE SIZE (REF)	A MAX	B (REF)	C MAX	D MIN	D MAX	ID (REF)	OD MIN	OD MAX
AS4705-08	.500	1.40	.425	1.73	.57	.66	.500	.65	.73
AS4705-10	.625	1.40	.550	1.88	.61	.70	.625	.81	.85
AS4705-12	.750	1.53	.654	2.39	.75	.85	.750	.94	.98
AS4705-16	1.000	1.73	.909	2.48	.80	.92	1.000	1.19	1.23

TABLE 2 - LENGTH TOLERANCE

HOSE ASSEMBLY LENGTH	PREFERRED INCREMENTS	TOLERANCE
UNDER 18 IN	(NOT LESS THAN) .125	+.125/- .125
18 TO 36 IN EXCLUSIVE	(NOT LESS THAN) .250	+.250/- .250
36 TO 100 IN EXCLUSIVE	(NOT LESS THAN) .500	+.375/- .375
100 IN AND OVER	(NOT LESS THAN) 1.000	+.5%/- .500

SAE values your input. To provide feedback on this Technical Report, please visit <http://www.sae.org/technical/standards/AS4705C>

THIRD ANGLE PROJECTION



CUSTODIAN: G-3/G-3D

PROCUREMENT SPECIFICATION: AS4468 /2/

SAE Aerospace
An SAE International Group

AEROSPACE STANDARD

HOSE ASSEMBLY, LINED SILICONE,
125 PSI, FIXED CAVITY COUPLING, POTABLE WATER,
STRAIGHT MALE TO 45° MALE

SAE AS4705
SHEET 1 OF 3

REV. C

SAE Technical Standards Board Rules provide that: "This report is published by SAE to advance the state of technical and engineering sciences. The use of this report is entirely voluntary, and its applicability and suitability for any particular use, including any patent infringement arising therefrom, is the sole responsibility of the user." SAE reviews each technical report at least every five years at which time it may be reaffirmed, revised, or cancelled. SAE invites your written comments and suggestions.


ISSUED 1992-06 REAFFIRMED 2007-01 REVISED 2010-11

TABLE 3 - HOSE ASSEMBLY WEIGHT INFORMATION

HOSE SIZE CODE	HOSE LB/IN NOM (REF)	END FITTING LB/EA STRAIGHT NOM (REF)	END FITTING LB/EA 45° NOM (REF)	HOSE LENGTH CORRECTION FACTOR, INCH /9/ STRAIGHT	HOSE LENGTH CORRECTION FACTOR, INCH /9/ 45°
08	.0081	.038	.054	.70	1.11
10	.0111	.047	.072	.70	1.22
12	.0137	.083	.121	.75	1.58
16	.0182	.118	.170	.80	1.70

NOTES:

1. MATERIAL AND FINISH: PER AS4468, TABLE 1. ALL FITTING COMPONENTS 300 SERIES CORROSION RESISTANT STEEL, PASSIVATED.
- /2/ PROCUREMENT SPECIFICATION: AS4468 EXCEPT AS SPECIFIED ON THIS STANDARD. PRODUCT SUPPLIED TO THIS SPECIFICATION SHALL BE MANUFACTURED AND ASSEMBLED BY AN ACCREDITED MANUFACTURER OR ASSEMBLED BY AN ACCREDITED DISTRIBUTOR LISTED IN THE PERFORMANCE REVIEW INSTITUTE (PRI) QUALIFIED PRODUCTS LIST (QPL) PRI QPL AS4468 FOR THIS STANDARD. SEE www.eauditnet.com FOR CURRENT QPL ON LINE.
3. INTENDED USE: THESE HOSE ASSEMBLIES ARE INTENDED FOR USE IN POTABLE WATER SYSTEM INSTALLATIONS WHERE A HIGH DEGREE OF FLEXIBILITY IS REQUIRED.
4. IDENTIFICATION: PER AS4468.
5. OPERATING CHARACTERISTICS:
 - a. OPERATING TEMPERATURE: -65 TO +160 °F (-54 TO +71 °C).
 - b. OPERATING PRESSURE: 125 PSI MAX
6. FUNCTIONAL TEST AND CLEANING: PER AS4468.
7. CONSTRUCTION: PER AS4468.
- /8/ LENGTH "L" IS A FOUR-DIGIT NUMBER OF WHICH THE FIRST THREE DIGITS DESCRIBE THE HOSE ASSEMBLY LENGTH IN WHOLE INCHES, AND THE FOURTH DIGIT THE FRACTION OF AN INCH IN EIGHTHS. LENGTH "L" IS MEASURED FROM "GAGE POINT" TO "GAGE POINT". SEE TABLE 2 FOR LENGTH TOLERANCES.
- /9/ HOSE WEIGHT PLUS EACH END FITTING WEIGHT EQUALS HOSE ASSEMBLY WEIGHT. FOR DETERMINING HOSE WEIGHT, DEDUCT APPROPRIATE LENGTH CORRECTION FACTOR FROM EACH END OF THE ASSEMBLY LENGTH.
10. DIMENSIONING AND TOLERANCING: ASME Y14.5M-1994.
11. DIMENSIONS IN INCHES. UNLESS OTHERWISE SPECIFIED, TOLERANCES: LINEAR DIMENSIONS ±.010, ANGULAR DIMENSIONS ±2 DEGREES.

 An SAE International Group	AEROSPACE STANDARD	SAE AS4705 SHEET 2 OF 3	REV. C
	HOSE ASSEMBLY, LINED SILICONE, 125 PSI, FIXED CAVITY COUPLING, POTABLE WATER, STRAIGHT MALE TO 45° MALE		