

REV. C

AS4410™

FEDERAL SUPPLY CLASS  
4730

RATIONALE

"INACTIVE" REPLACED BY "NOT RECOMMENDED." CLASSES 3A AND 3B ADDED TO TABLE 1 HEADING FOR THE THREADS. MATERIAL CODE LETTER R, CRES 321, INTRODUCED AS AN OPTIONAL MATERIAL. FINISH FOR MATERIAL CODE LETTER R BEING INTRODUCED. PROCUREMENT SPECIFICATION NOTE UPDATED TO CURRENT QML VERBIAGE. UPDATED SPECIFICATION CALLOUT FROM MIL-A-8625 TO MIL-PRF-8625. NOTE /17/ REVISED TO REFLECT OPTIONAL DRY FILM CODE LETTER N CALLOUT FOR SWIVEL NUT. NEW USAGE RECOMMENDATION FOR MATERIAL 347 ADDED TO NOTE /18/.

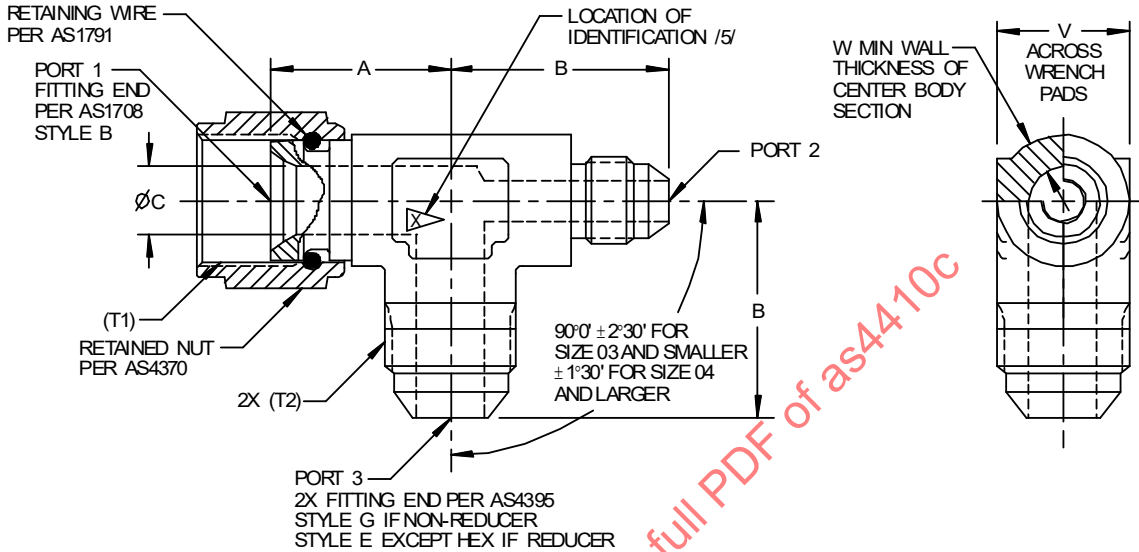


FIGURE 1 - FITTING ASSEMBLY, TEE

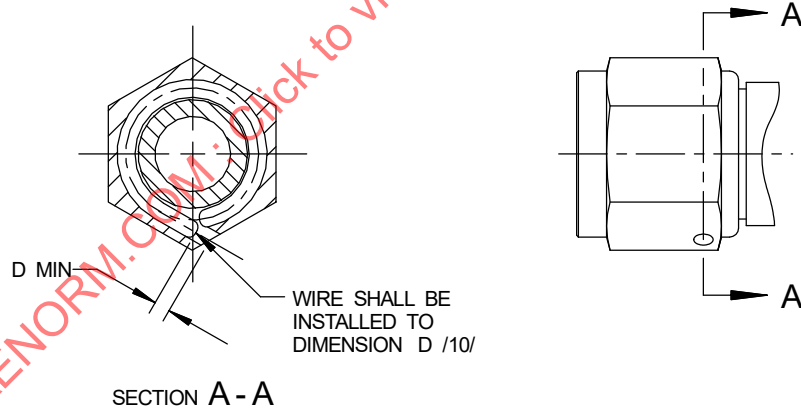
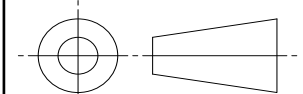


FIGURE 2 - INSTALLATION, RETAINED NUT AND RETAINING WIRE

NOT RECOMMENDED IN PART /18/

For more information on this standard, visit  
<https://www.sae.org/standards/content/AS4410C/>

THIRD ANGLE PROJECTION



CUSTODIAN: G-3/G-3B

PROCUREMENT SPECIFICATION: AS4841 /4/



**AEROSPACE STANDARD**  
FITTING ASSEMBLY, TEE, REDUCER AND  
NONREDUCER, INTERNAL FLARE ON RUN  
TO FLARED TUBE

AS4410™  
SHEET 1 OF 6

REV. C

SAE Executive Standards Committee Rules provide that: " This report is published by SAE to advance the state of technical and engineering sciences. The use of this report is entirely voluntary, and its applicability and suitability for any particular use, including any patent infringement arising therefrom, is the sole responsibility of the user." SAE reviews each technical report at least every five years at which time it may be revised, reaffirmed, stabilized, or cancelled. SAE invites your written comments and suggestions.

ISSUED 1995-03 REAFFIRMED 2007-10 REVISED 2023-03

**TABLE 1 - DIMENSIONS C-W AND WEIGHTS**

BASIC NO. AS4410 /17/ SIZE CODE	(NOMINAL TUBE SIZE)	T1, T2 THREAD PER AS8879 CLASS 3B, 3A	C	D	V	W	LB/EA	LB/EA	LB/EA
							APPROX REF ALUM	APPROX REF CRES	APPROX REF TI
02	.125	.3125-24 UNJF	.058- .065	.045	.297- .314	.090	.022	.063	.036
03	.188	.3750-24 UNJF	.121- .128	.045	.360- .377	.100	.028	.081	.046
04	.250	.4375-20 UNJF	.168- .175	.045	.423- .440	.110	.036	.105	.060
05	.312	.5000-20 UNJF	.230- .237	.045	.485- .502	.120	.045	.132	.076
06	.375	.5625-18 UNJF	.293- .301	.045	.547- .565	.120	.061	.177	.101
08	.500	.7500-16 UNJF	.387- .395	.055	.735- .753	.150	.113	.327	.187
10	.625	.8750-14 UNJF	.480- .488	.063	.860- .878	.170	.155	.449	.257
12	.750	1.0625-12 UNJ	.604- .614	.095	1.047-1.065	.185	.280	.814	.466
16	1.000	1.3125-12 UNJ	.839- .851	.125	1.292-1.317	.205	.407	1.180	.676
20	1.250	1.6250-12 UNJ	1.073-1.086	.155	1.605-1.630	.240	.748	2.170	1.243
24	1.500	1.8750-12 UNJ	1.307-1.320	.180	1.855-1.880	.250	.996	2.890	1.655
32	2.000	2.5000-12 UNJ	1.776-1.791	.180	2.542-2.572	.350	1.302	3.780	2.165

**TABLE 2 - LEG LENGTH A**

SIZE OF PORT #1	FORG. SIZE /8/ 02	FORG. SIZE /8/ 03	FORG. SIZE /8/ 04	FORG. SIZE /8/ 05	FORG. SIZE /8/ 06	FORG. SIZE /8/ 08	FORG. SIZE /8/ 10	FORG. SIZE /8/ 12	FORG. SIZE /8/ 16	FORG. SIZE /8/ 20	FORG. SIZE /8/ 24	FORG. SIZE /8/ 32
02	.658	.686	.743	.767	.884	.924	1.100	1.157	1.268	1.521	1.521	2.031
03	--	.672	.555	.587	.649	.743	.838	.931	1.056	1.213	1.338	2.015
04	--	--	.602	.633	.695	.789	.883	.976	1.101	1.258	1.383	1.890
05	--	--	--	.675	.737	.831	.925	1.018	1.143	1.300	1.425	1.937
06	--	--	--	--	.821	.915	1.009	1.102	1.227	1.384	1.509	1.968
08	--	--	--	--	--	1.023	1.117	1.210	1.334	1.491	1.616	2.130
10	--	--	--	--	--	--	1.167	1.260	1.383	1.540	1.665	2.098
12	--	--	--	--	--	--	--	1.224	1.348	1.505	1.630	2.098
16	--	--	--	--	--	--	--	--	1.387	1.524	1.649	2.150
20	--	--	--	--	--	--	--	--	--	1.571	1.696	2.243
24	--	--	--	--	--	--	--	--	--	--	1.776	2.286
32	--	--	--	--	--	--	--	--	--	--	--	2.442

**TABLE 3 - LEG LENGTH B**

SIZE OF PORT #2 OR #3	FORG. SIZE /8/ 02	FORG. SIZE /8/ 03	FORG. SIZE /8/ 04	FORG. SIZE /8/ 05	FORG. SIZE /8/ 06	FORG. SIZE /8/ 08	FORG. SIZE /8/ 10	FORG. SIZE /8/ 12	FORG. SIZE /8/ 16	FORG. SIZE /8/ 20	FORG. SIZE /8/ 24	FORG. SIZE /8/ 32
02	.757	.789	.789	.843	.946	1.033	1.135	1.232	1.341	1.544	1.685	2.169
03	--	.820	.811	.874	.977	1.064	1.166	1.263	1.372	1.575	1.716	2.200
04	--	--	.882	.945	1.048	1.135	1.237	1.334	1.443	1.646	1.787	2.271
05	--	--	--	.945	1.048	1.135	1.237	1.334	1.443	1.646	1.787	2.271
06	--	--	--	--	1.054	1.141	1.243	1.340	1.449	1.652	1.793	2.277
08	--	--	--	--	--	1.242	1.344	1.441	1.555	1.753	1.894	2.378
10	--	--	--	--	--	--	1.445	1.542	1.651	1.854	1.995	2.479
12	--	--	--	--	--	--	--	1.648	1.757	1.960	2.101	2.585
16	--	--	--	--	--	--	--	--	1.804	2.007	2.148	2.632
20	--	--	--	--	--	--	--	--	--	2.054	2.195	2.679
24	--	--	--	--	--	--	--	--	--	--	2.320	2.804
32	--	--	--	--	--	--	--	--	--	--	--	3.054

NOTES:

NOTICE

THIS DOCUMENT REFERENCES A PART WHICH CONTAINS CADMIUM AS A PLATING MATERIAL. CONSULT LOCAL OFFICIALS IF YOU HAVE QUESTIONS CONCERNING CADMIUM'S USE.

/1/ MATERIAL:

a. DASH AS CODE LETTER:

- (1) BODY: TYPE 4130 STEEL FORGING OR BAR PER AMS6370 OR AMS-S-6758.
- (2) NUT: DASH AS CODE LETTER OF AS4370 (TYPE 4130 STEEL).
- (3) WIRE: PER AS1791 (CLASS 302 OR 305 CORROSION RESISTANT STEEL).

b. CODE LETTER D /18/:

- (1) BODY: TYPE 2014-T6 ALUMINUM ALLOY FORGING PER AMS4133; OR TYPE 2024-T6 ALUMINUM ALLOY BAR PER AMS-QQ-A-225/6; OR TYPE 2024-T851 ALUMINUM ALLOY BAR PER AMS-QQ-A-225/6 OR AMS4339.
- (2) NUT: CODE LETTER D OF AS4370 (TYPE 2024 ALUMINUM ALLOY).
- (3) WIRE: PER AS1791 (CLASS 302 OR 305 CORROSION RESISTANT STEEL).

c. CODE LETTER J:

- (1) BODY: TYPE 304 CORROSION RESISTANT STEEL FORGING OR BAR PER AMS5639 OR AMS-QQ-S-763.
- (2) NUT: CODE LETTER J OF AS4370 (TYPE 304 CORROSION RESISTANT STEEL).
- (3) WIRE: PER AS1791 (CLASS 302 OR 305 CORROSION RESISTANT STEEL).

d. CODE LETTER K:

- (1) BODY: TYPE 316 CORROSION RESISTANT STEEL FORGING OR BAR PER AMS5648 OR AMS-QQ-S-763.
- (2) NUT: CODE LETTER K OF AS4370 (TYPE 316 CORROSION RESISTANT STEEL).
- (3) WIRE: PER AS1791 (CLASS 302 OR 305 CORROSION RESISTANT STEEL).

e. CODE LETTER R:

- (1) BODY: TYPE 321 CORROSION RESISTANT STEEL BAR PER AMS5645 OR AMS-QQ-S-763.
- (2) NUT: CODE LETTER R OF AS4370 (TYPE 321 CORROSION RESISTANT STEEL).
- (3) WIRE: PER AS1791 (CLASS 302 OR 305 CORROSION RESISTANT STEEL).

f. CODE LETTER S: /18/

- (1) BODY: TYPE 347 CORROSION RESISTANT STEEL FORGING OR BAR PER AMS5646 OR AMS-QQ-S-763.
- (2) NUT: CODE LETTER S OF AS4370 (TYPE 347 CORROSION RESISTANT STEEL).
- (3) WIRE: PER AS1791 (CLASS 302 OR 305 CORROSION RESISTANT STEEL).

g. CODE LETTER T:

- (1) BODY: TYPE 6AI-4V TITANIUM ALLOY FORGING OR BAR PER AMS4928.
- (2) NUT: CODE LETTER T OF AS4370 (TYPE 6AI-4V TITANIUM ALLOY).
- (3) WIRE: PER AS1791 (CLASS 302 OR 305 CORROSION RESISTANT STEEL).

	<b>AEROSPACE STANDARD</b>	<b>AS4410™</b> SHEET 3 OF 6	<b>REV.</b> <b>C</b>
	FITTING ASSEMBLY, TEE, REDUCER AND NONREDUCER, INTERNAL FLARE ON RUN TO FLARED TUBE		

- h. CODE LETTER W:
- (1) BODY: TYPE 7075-T73 ALUMINUM ALLOY FORGING PER AMS4141; OR TYPE 7075-T7351 ALUMINUM ALLOY BAR PER AMS4124; OR TYPE 7075-T73 ALUMINUM ALLOY BAR PER AMS-QQ-A-225/9.
  - (2) NUT: CODE LETTER W OF AS4370 (TYPE 7075 ALUMINUM ALLOY).
  - (3) WIRE: PER AS1791 (CLASS 302 OR 305 CORROSION RESISTANT STEEL).
2. HEAT TREATMENT PER PROCUREMENT SPECIFICATION.
3. FINISH:
- a. DASH AS MATERIAL CODE LETTER:
    - (1) BODY: CADMIUM PLATE PER AMS-QQ-P-416, TYPE II, CLASS 2, DYE BLACK.
    - (2) NUT: DASH AS MATERIAL CODE LETTER OF AS4370 (CADMIUM PLATE, DYED BLACK).
    - (3) WIRE: PER AS1791 (PASSIVATE AND COAT WITH DRY FILM LUBRICANT).
  - b. MATERIAL CODE LETTER D:
    - (1) BODY: ANODIZE PER AMS2472 OR MIL-PRF-8625, TYPE II, CLASS 2, DYE BLUE, DUPLEX SEAL.
    - (2) NUT: MATERIAL CODE LETTER D OF AS4370 (ANODIC COATING, DYE BLUE).
    - (3) WIRE: PER AS1791 (PASSIVATE AND COAT WITH DRY FILM LUBRICANT).
  - c. MATERIAL CODE LETTER J:
    - (1) BODY: PASSIVATE PER AMS2700, TYPE 6 OR TYPE 7.
    - (2) NUT: MATERIAL CODE LETTER J OF AS4370 (PASSIVATED).
    - (3) WIRE: PER AS1791 (PASSIVATE AND COAT WITH DRY FILM LUBRICANT).
  - d. MATERIAL CODE LETTER K:
    - (1) BODY: PASSIVATE PER AMS2700, TYPE 6 OR TYPE 7.
    - (2) NUT: MATERIAL CODE LETTER K OF AS4370 (PASSIVATED).
    - (3) WIRE: PER AS1791 (PASSIVATE AND COAT WITH DRY FILM LUBRICANT).
  - e. MATERIAL CODE LETTER R:
    - (1) BODY: PASSIVATE PER AMS2700, TYPE 6 OR TYPE 7.
    - (2) NUT: MATERIAL CODE LETTER R OF AS4370 (PASSIVATED).
    - (3) WIRE: PER AS1791 (PASSIVATE AND COAT WITH DRY FILM LUBRICANT).
  - f. MATERIAL CODE LETTER S:
    - (1) BODY: PASSIVATE PER AMS2700, TYPE 6 OR TYPE 7.
    - (2) NUT: MATERIAL CODE LETTER S OF AS4370 (PASSIVATED).
    - (3) WIRE: PER AS1791 (PASSIVATE AND COAT WITH DRY FILM LUBRICANT).
  - g. MATERIAL CODE LETTER T:
    - (1) BODY: ANODIZE PER AMS2488 TYPE 2 OR FLUORIDE PHOSPHATE CONVERSION COAT PER AMS2486.
    - (2) NUT: MATERIAL CODE LETTER T OF AS4370 (FLUORIDE PHOSPHATE CONVERSION COAT).
    - (3) WIRE: PER AS1791 (PASSIVATE AND COAT WITH DRY FILM LUBRICANT).

	<b>AEROSPACE STANDARD</b>	<b>AS4410™</b> SHEET 4 OF 6	<b>REV.</b> <b>C</b>
	FITTING ASSEMBLY, TEE, REDUCER AND NONREDUCER, INTERNAL FLARE ON RUN TO FLARED TUBE		