

REV. A

SAE AS34661

RATIONALE

FEDERAL SUPPLY CLASS 5935

REVISION REQUIRED TO INCORPORATE AS34661-1A, CLARIFY A DRAWING, AND UPDATE REFERENCES

NOTICE

THE REQUIREMENTS FOR ACQUIRING THE COMPONENTS DESCRIBED HEREIN SHALL CONSIST OF THIS SPECIFICATION AND THE LATEST ISSUE OF AS81703

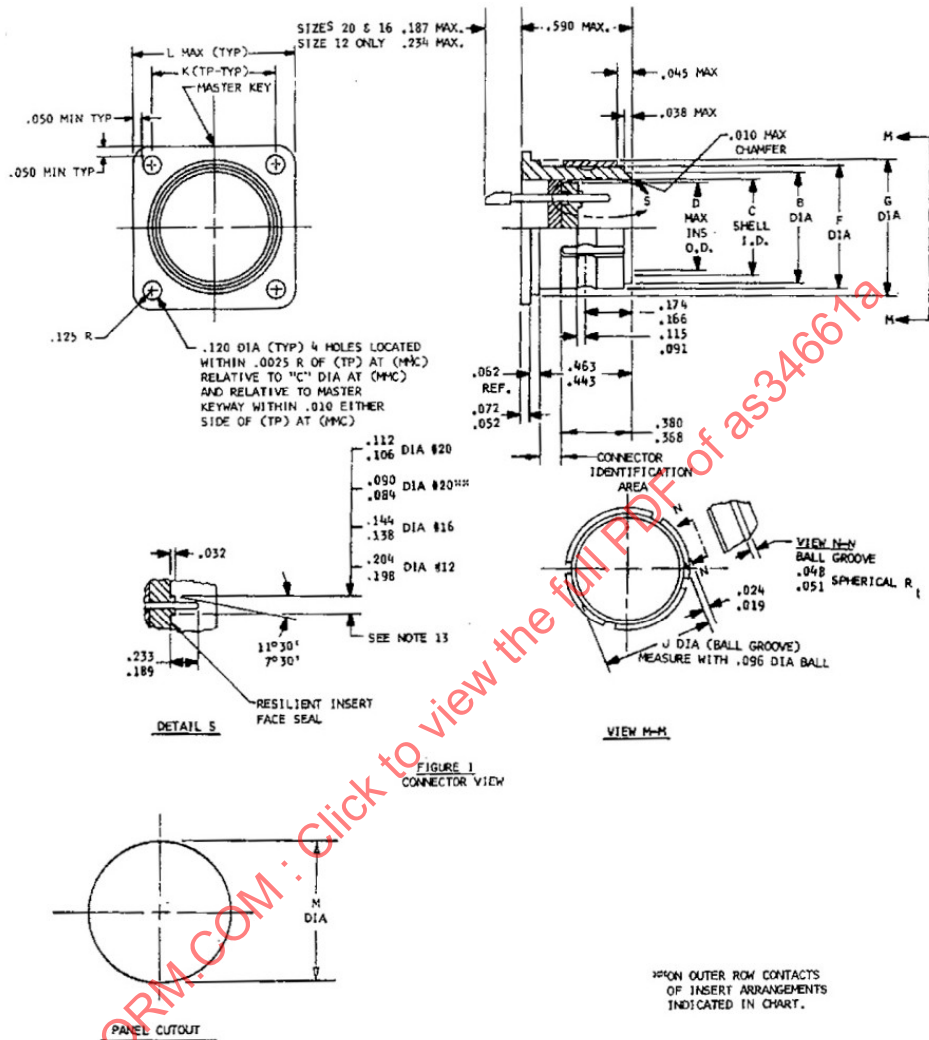
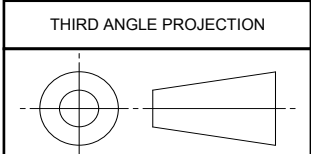


FIGURE 1 - AS34661 CONFIGURATION

SAE values your input. To provide feedback on this Technical Report, please visit <http://www.sae.org/technical/standards/AS34661A>



CUSTODIAN: AE-8/AE-8C1

PROCUREMENT SPECIFICATION: AS81703

SAE Aerospace
An SAE International Group

AEROSPACE STANDARD
CONNECTOR, RECEPTACLE, ELECTRIC, HERMETIC, SOLDER TYPE, BOX MOUNTING, PUSH-PULL COUPLING, SERIES 3 (CLASS H)

SAE AS34661
SHEET 1 OF 4

REV. A

SAE Technical Standards Board Rules provide that: "This report is published by SAE to advance the state of technical and engineering sciences. The use of this report is entirely voluntary, and its applicability and suitability for any particular use, including any patent infringement arising therefrom, is the sole responsibility of the user." SAE reviews each technical report at least every five years at which time it may be reaffirmed, revised, or cancelled. SAE invites your written comments and suggestions.

ISSUED 2004-06 REVISED 2010-12

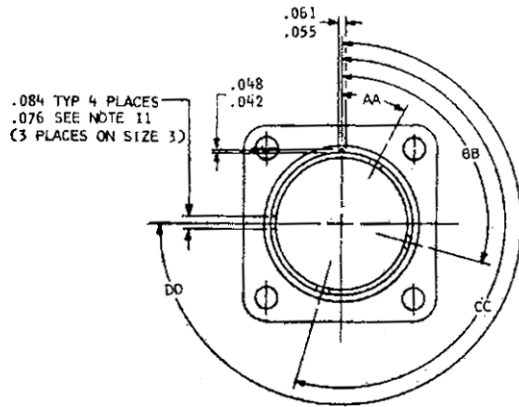


FIGURE 11
KEYWAY POSITIONS

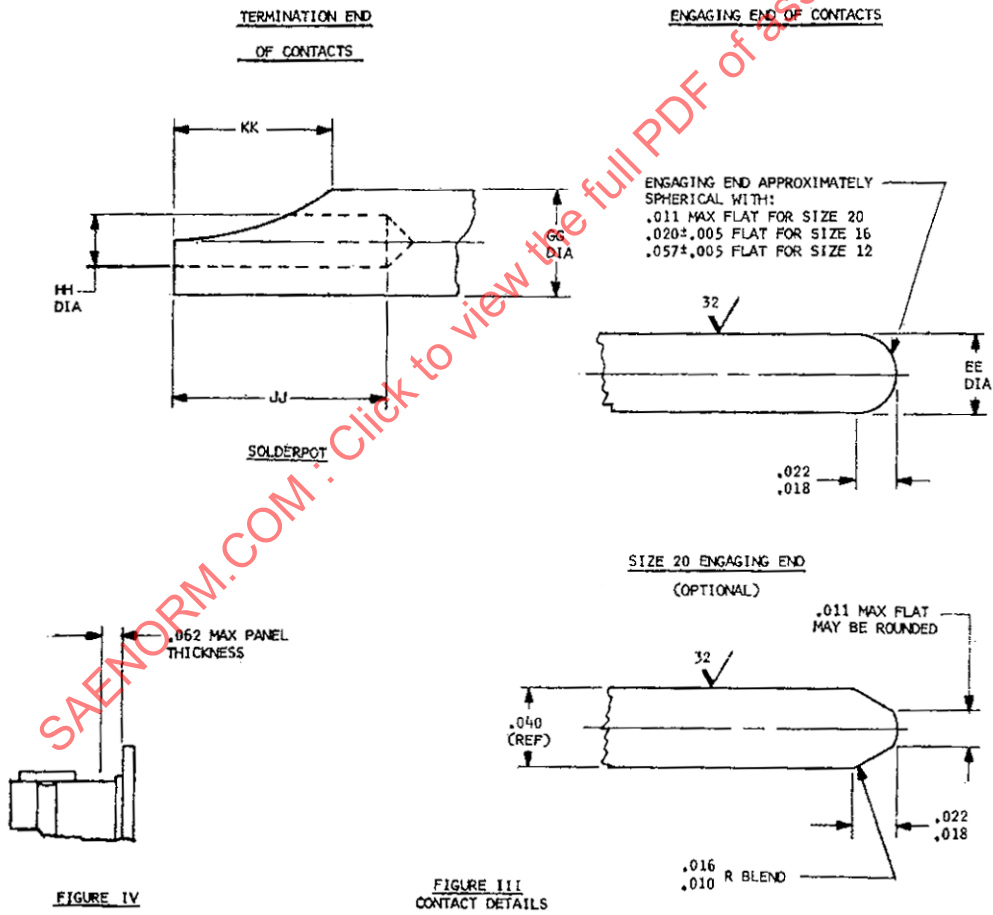


FIGURE IV
MAX PANEL THICKNESS (TYP)

FIGURE 11I
CONTACT DETAILS

FIGURE 1 (CONTINUED) – AS34661 CONFIGURATION

<p>SAE Aerospace An SAE International Group</p>	AEROSPACE STANDARD CONNECTOR, RECEPTACLE, ELECTRIC, HERMETIC, SOLDER TYPE, BOX MOUNTING, PUSH-PULL COUPLING, SERIES 3 (CLASS H)	SAE AS34661 SHEET 2 OF 4	REV. A

TABLE 1
CONNECTOR DIMENSIONS AND WEIGHTS

SHELL SIZE	B	C	D	F	G	J	K	L
3	.392 .385	.367 .356	.330	.441 .431	.549 .529	.399 .391	.625	.891
7	.527 .520	.483 .473	.451	.576 .566	.682 .662	.534 .526	.719	1.016
12	.661 .654	.624 .614	.553	.710 .700	.822 .802	.669 .661	.813	1.109
19	.800 .793	.763 .753	.738	.849 .839	.947 .927	.807 .799	.906	1.203
27	.955 .948	.918 .908	.854	1.004 .994	1.130 1.110	.962 .954	.968	1.297
37	1.077 1.070	1.040 1.030	.978	1.126 1.116	1.228 1.208	1.084 1.076	1.187	1.453
61	1.365 1.358	1.316 1.306	1.271	1.414 1.404	1.510 1.490	1.367 1.360	1.436	1.797

TABLE 1 (CONTINUED)
CONNECTOR DIMENSIONS AND WEIGHTS

SHELL SIZE	M	WEIGHT (LBS) SEE NOTE 7 PIN INSERT
3	.583	(WEIGHT WILL BE
7	.760	SUPPLIED IN LATER
12	.885	REVISION)
19	1.010	
27	1.141	
37	1.271	
61	1.583	

TABLE 2
KEYWAY POSITIONS

SIZE	AA	BB	CC	DD
3	23°	97°	187°	--
7	23°	97°	187°	277°
12	30°	105°	195°	270°
19	30°	105°	195°	270°
27	30°	105°	195°	270°
37	30°	105°	195°	270°
61	30°	105°	195°	270°