

RATIONALE

CORRECT DATUM CALLOUT IN FEATURE CONTROL FRAME FOR POSITION OF DRILLED HOLES, REVISE THE ACROSS POINTS DIMENSION OF HEX HEAD, REVISE LEAD THREAD CHAMFER TO AS1132, UPDATE ANSI Y14.5M FORMATS, GENERAL EDITORIAL CHANGES THROUGHOUT.

REV. B

AS3114™

SAE Executive Standards Committee Rules provide that: "This report is published by SAE to advance the state of technical and engineering sciences. The use of this report is entirely voluntary, and its applicability and suitability for any particular use, including any patent infringement arising therefrom, is the sole responsibility of the user." SAE reviews each technical report at least every five years at which time it may be revised, reaffirmed, stabilized, or cancelled. SAE invites your written comments and suggestions.

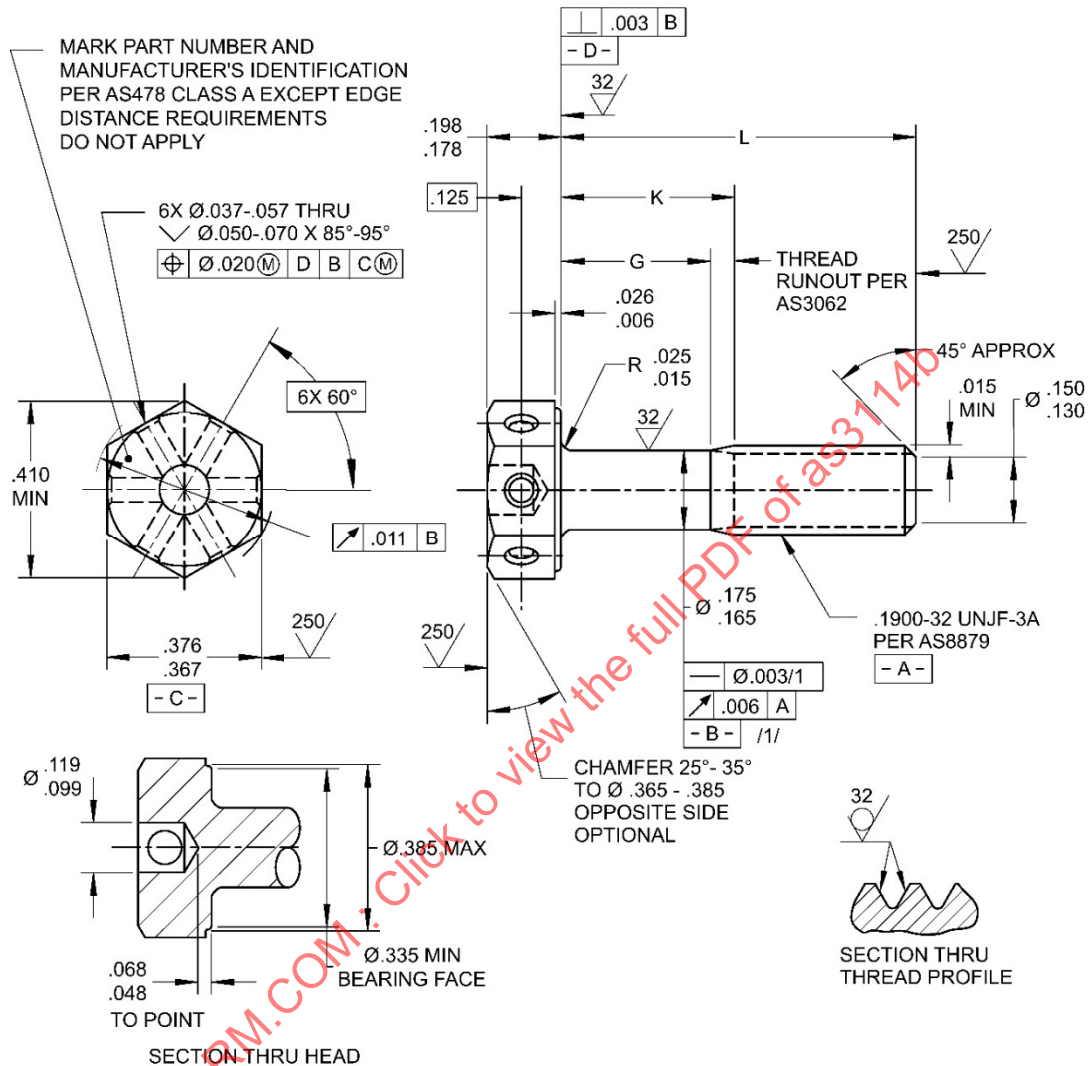
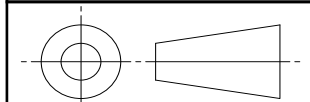


FIGURE 1 - BOLT

For more information on this standard, visit
<https://www.sae.org/standards/content/AS3114B>

THIRD ANGLE PROJECTION



CUSTODIAN: E-25

PROCUREMENT SPECIFICATION: AS7477



AEROSPACE STANDARD

BOLT, MACHINE - HEXAGON HEAD,
DRILLED 6 HOLES, PD SHANK,
CRES UNS S66286, .1900-32 UNJF-3A

AS3114™
SHEET 1 OF 3

REV. B

TABLE 1 - PART NUMBERS AND DIMENSIONS

PART NUMBER	L	G MIN	K MAX	APPROX MASS LB/100
AS3114-11	.802-.822	.100	.182	1.08
AS3114-12	.865-.885	.163	.245	1.12
AS3114-13	.928-.948	.286	.308	1.16
AS3114-14	.990-1.010	.288	.370	1.20
AS3114-15	1.052-1.072	.350	.432	1.24
AS3114-16	1.115-1.135	.413	.495	1.28
AS3114-17	1.178-1.198	.476	.558	1.32
AS3114-18	1.240-1.260	.538	.620	1.36
AS3114-19	1.302-1.322	.600	.682	1.40
AS3114-20	1.365-1.385	.663	.745	1.44
AS3114-21	1.428-1.448	.726	.808	1.48
AS3114-22	1.490-1.510	.788	.870	1.53
AS3114-23	1.552-1.572	.850	.932	1.57
AS3114-24	1.615-1.635	.913	.995	1.61
AS3114-25	1.678-1.698	.976	1.058	1.65
AS3114-26	1.740-1.760	1.038	1.120	1.69
AS3114-27	1.802-1.822	1.100	1.182	1.73
AS3114-28	1.865-1.885	1.163	1.245	1.77
AS3114-29	1.928-1.948	1.226	1.308	1.81
AS3114-30	1.990-2.010	1.288	1.370	1.85
AS3114-31	2.115-2.135	1.413	1.495	1.93
AS3114-32	2.240-2.260	1.538	1.620	2.01
AS3114-33	2.365-2.385	1.663	1.745	2.10
AS3114-34	2.490-2.510	1.788	1.870	2.18
AS3114-35	2.615-2.635	1.913	1.995	2.26
AS3114-36	2.740-2.760	2.038	2.120	2.34
AS3114-37	2.865-2.885	2.163	2.245	2.42
AS3114-38	2.990-3.010	2.288	2.370	2.50
AS3114-39	3.115-3.135	2.413	2.495	2.58
AS3114-40	3.240-3.260	2.538	2.620	2.67
AS3114-41	3.365-3.385	2.663	2.745	2.75
AS3114-42	3.490-3.510	2.788	2.870	2.83
AS3114-43	3.615-3.635	2.913	2.995	2.91
AS3114-44	3.740-3.760	3.038	3.120	2.99
AS3114-45	3.865-3.885	3.163	3.245	3.07

1/ FOR SHORT BOLTS THREADED TO HEAD, REFER TO AS9583.

SAENORM.COM : Click to view the full PDF of AS3114b

	AEROSPACE STANDARD	AS3114™ SHEET 2 OF 3	REV. B
	BOLT, MACHINE - HEXAGON HEAD, DRILLED 6 HOLES, PD SHANK, CRES UNS S66286, .1900-32 UNJF-3A		