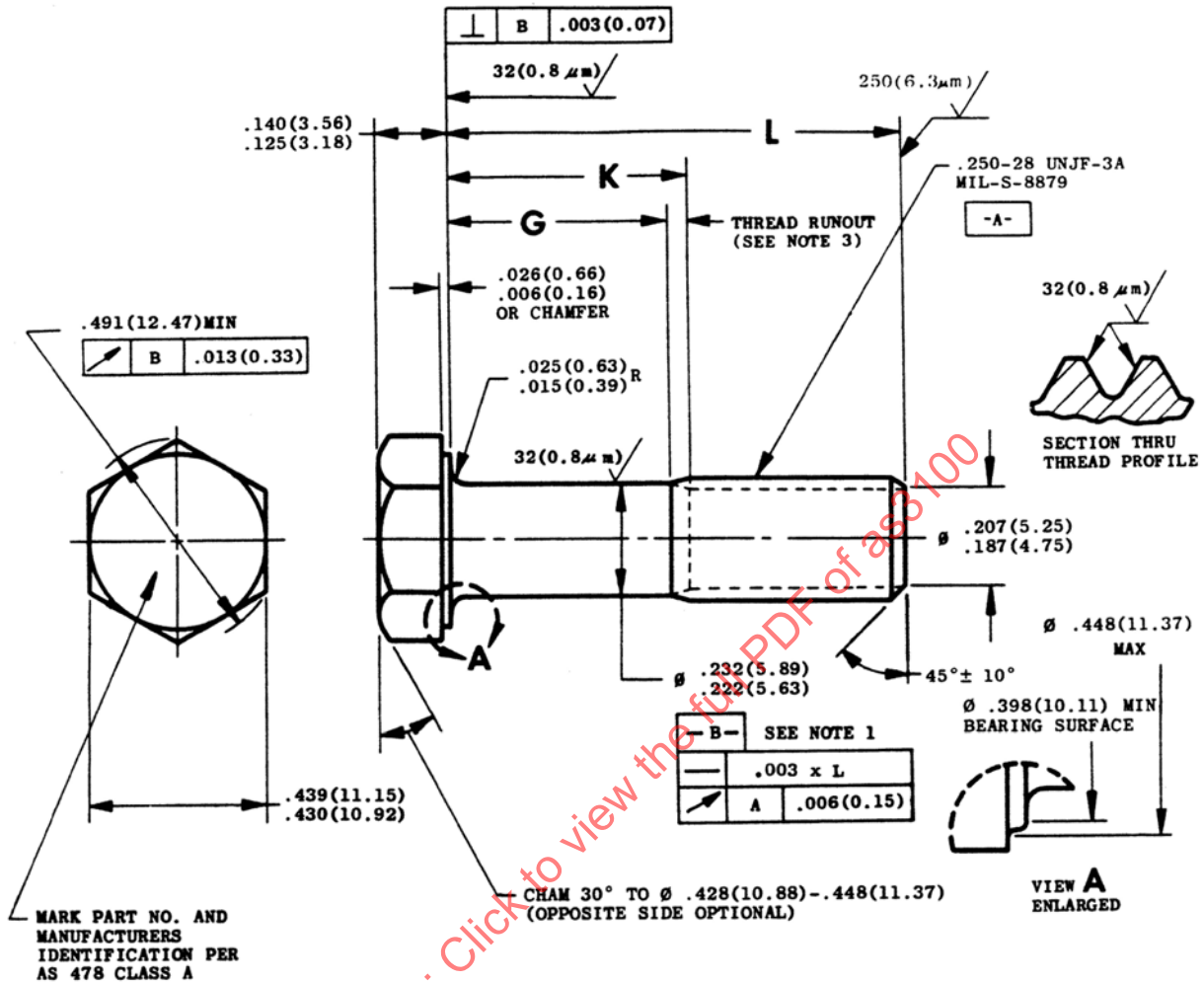


RATIONALE

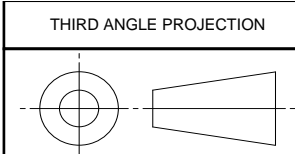
AS3100 HAS BEEN REAFFIRMED TO COMPLY WITH THE SAE FIVE-YEAR REVIEW POLICY.

SAE AS3100

SAE Technical Standards Board Rules provide that: "This report is published by SAE to advance the state of technical and engineering sciences. The use of this report is entirely voluntary, and its applicability and suitability for any particular use, including any patent infringement arising therefrom, is the sole responsibility of the user." SAE reviews each technical report at least every five years at which time it may be revised, reaffirmed, stabilized, or cancelled. SAE invites your written comments and suggestions.



SAE values your input. To provide feedback on this Technical Report, please visit <http://www.sae.org/technical/standards/AS3100>



CUSTODIAN: E-25

PROCUREMENT SPECIFICATION: NONE

**SAE Aerospace**  
An SAE International Group

**AEROSPACE STANDARD**

BOLT, MACHINE - HEXAGON HEAD, PD SHANK, CRES AMS5731, .250-28 UNJF-3A

**SAE AS3100**  
SHEET 1 OF 2