

RATIONALE

THIS STANDARD REPLACES MS29513 AND ADDS VISUAL QUALITY REQUIREMENTS, LOT REQUIREMENTS AND PACKAGING AND LABELING REQUIREMENTS FOR PROCUREMENT OF O-RINGS MOLDED FROM AMS-P-5315 NBR RUBBER. THE MS29513 PART NUMBERS HAVE BEEN RETAINED.

REV.
A

SAE AS29513

ALL DIAMETERS OF CROSS SECTION SHALL EQUAL W

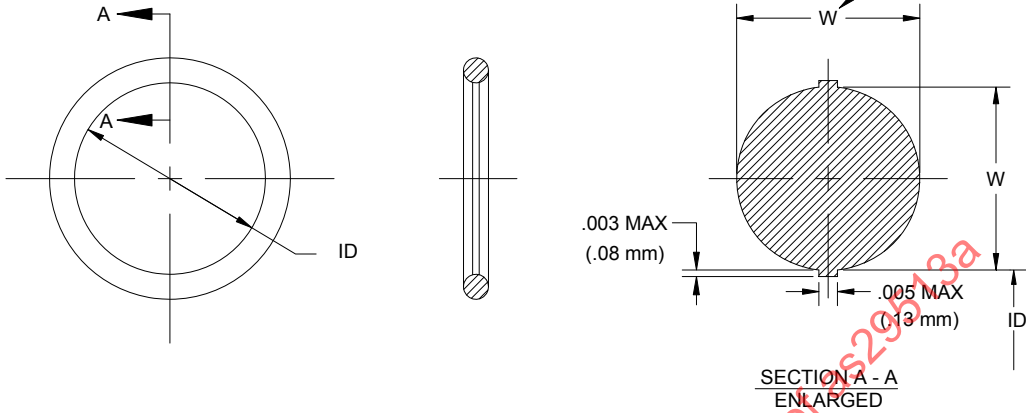


FIGURE 1 - O-RING

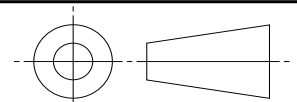
TABLE 1 - PART NUMBERS AND DIMENSIONS

PART NUMBER	ID IN		ID (mm)		W DIA IN		W DIA (mm)		APPROX MASS	
	MIN	MAX	MIN	MAX	MIN	MAX	MIN	MAX	LB/100	kg/100
MS29513-001	0.025	0.033	0.635	0.838	0.037	0.043	0.940	1.092	.001	.0004
MS29513-002	0.038	0.046	0.965	1.168	0.047	0.053	1.194	1.346	.003	.0014
MS29513-003	0.052	0.060	1.321	1.524	0.057	0.063	1.448	1.600	.005	.0023
MS29513-004	0.065	0.075	1.65	1.90	0.067	0.073	1.702	1.854	.008	.0036
MS29513-005	0.096	0.106	2.44	2.69	0.067	0.073	1.702	1.854	.010	.0045
MS29513-006	0.109	0.119	2.77	3.02	0.067	0.073	1.702	1.854	.010	.0045
MS29513-007	0.140	0.150	3.56	3.81	0.067	0.073	1.702	1.854	.012	.0054
MS29513-008	0.171	0.181	4.34	4.60	0.067	0.073	1.702	1.854	.014	.0064
MS29513-009	0.203	0.213	5.16	5.41	0.067	0.073	1.702	1.854	.016	.0073
MS29513-010	0.234	0.244	5.94	6.20	0.067	0.073	1.702	1.854	.017	.0077
MS29513-011	0.296	0.306	7.52	7.77	0.067	0.073	1.702	1.854	.021	.0095
MS29513-012	0.359	0.369	9.12	9.37	0.067	0.073	1.702	1.854	.024	.011
MS29513-013	0.421	0.431	10.69	10.95	0.067	0.073	1.702	1.854	.028	.013
MS29513-014	0.484	0.494	12.29	12.55	0.067	0.073	1.702	1.854	.031	.014
MS29513-015	0.546	0.556	13.87	14.12	0.067	0.073	1.702	1.854	.034	.015
MS29513-016	0.609	0.619	15.47	15.72	0.067	0.073	1.702	1.854	.038	.017
MS29513-017	0.671	0.681	17.04	17.30	0.067	0.073	1.702	1.854	.041	.019
MS29513-018	0.734	0.744	18.64	18.90	0.067	0.073	1.702	1.854	.045	.020
MS29513-019	0.795	0.807	20.19	20.50	0.067	0.073	1.702	1.854	.048	.022
MS29513-020	0.858	0.870	21.79	22.10	0.067	0.073	1.702	1.854	.052	.024
MS29513-021	0.920	0.932	23.37	23.67	0.067	0.073	1.702	1.854	.055	.025
MS29513-022	0.983	0.995	24.97	25.27	0.067	0.073	1.702	1.854	.059	.027
MS29513-023	1.045	1.057	26.54	26.85	0.067	0.073	1.702	1.854	.062	.028
MS29513-024	1.108	1.120	28.14	28.45	0.067	0.073	1.702	1.854	.066	.030
MS29513-025	1.170	1.182	29.72	30.02	0.067	0.073	1.702	1.854	.069	.031
MS29513-026	1.233	1.245	31.32	31.62	0.067	0.073	1.702	1.854	.073	.033
MS29513-027	1.295	1.307	32.89	33.20	0.067	0.073	1.702	1.854	.076	.034
MS29513-028	1.358	1.370	34.49	34.80	0.067	0.073	1.702	1.854	.080	.036

(a)

SAE values your input. To provide feedback on this Technical Report, please visit <http://www.sae.org/technical/standards/AS29513a>

THIRD ANGLE PROJECTION



CUSTODIAN: SAE A-6/A-6C2

PROCUREMENT SPECIFICATION: NONE

SAE Aerospace
An SAE International Group

AEROSPACE STANDARD

(R) PACKING, PREFORMED, HYDROCARBON FUEL RESISTANT, "O" RING

SAE AS29513
SHEET 1 OF 7

REV. A

SAE Technical Standards Board Rules provide that: "This report is published by SAE to advance the state of technical and engineering sciences. The use of this report is entirely voluntary, and its applicability and suitability for any particular use, including any patent infringement arising therefrom, is the sole responsibility of the user." SAE reviews each technical report at least every five years at which time it may be reaffirmed, revised, or cancelled. SAE invites your written comments and suggestions.

ISSUED 2001-03 REVISED 2009-12

TABLE 1 - PART NUMBERS AND DIMENSIONS (CONTINUED)

PART NUMBER	ID IN		ID (mm)		W DIA IN		W DIA (mm)		APPROX MASS	
	MIN	MAX	MIN	MAX	MIN	MAX	MIN	MAX	LB/100	kg/100
MS29513-029	1.479	1.499	37.57	38.07	0.067	0.073	1.702	1.854	.086	.039
MS29513-030	1.604	1.624	40.74	41.25	0.067	0.073	1.702	1.854	.094	.043
MS29513-031	1.729	1.749	43.92	44.42	0.067	0.073	1.702	1.854	.101	.046
MS29513-032	1.854	1.874	47.09	47.60	0.067	0.073	1.702	1.854	.108	.049
MS29513-033	1.979	1.999	50.27	50.77	0.067	0.073	1.702	1.854	.114	.052
MS29513-034	1.104	2.124	53.44	53.95	0.067	0.073	1.702	1.854	.121	.055
MS29513-035	1.229	2.249	56.62	57.12	0.067	0.073	1.702	1.854	.128	.058
MS29513-036	2.354	2.374	59.79	60.30	0.067	0.073	1.702	1.854	.135	.061
MS29513-037	2.479	2.499	62.97	63.47	0.067	0.073	1.702	1.854	.142	.064
MS29513-038	2.604	2.624	66.14	66.65	0.067	0.073	1.702	1.854	.149	.068
MS29513-039	2.724	2.754	69.19	69.95	0.067	0.073	1.702	1.854	.156	.071
MS29513-040	2.849	2.879	72.36	73.13	0.067	0.073	1.702	1.854	.163	.074
MS29513-041	2.974	3.004	75.54	76.30	0.067	0.073	1.702	1.854	.170	.077
MS29513-042	3.224	3.254	81.89	82.65	0.067	0.073	1.702	1.854	.184	.083
MS29513-043	3.474	3.504	88.24	89.00	0.067	0.073	1.702	1.854	.198	.090
MS29513-044	3.724	3.754	94.59	95.35	0.067	0.073	1.702	1.854	.212	.096
MS29513-045	3.974	4.004	100.94	101.70	0.067	0.073	1.702	1.854	.226	.102
MS29513-046	4.224	4.254	107.29	108.05	0.067	0.073	1.702	1.854	.240	.109
MS29513-047	4.474	4.504	113.64	114.40	0.067	0.073	1.702	1.854	.254	.115
MS29513-048	4.724	4.754	119.99	120.75	0.067	0.073	1.702	1.854	.267	.121
MS29513-049	4.966	5.012	126.14	127.30	0.067	0.073	1.702	1.854	.281	.127
MS29513-050	5.216	5.262	132.49	133.65	0.067	0.073	1.702	1.854	.295	.134
MS29513-110	0.357	0.367	9.07	9.32	0.100	0.106	2.540	2.692	.056	.025
MS29513-111	0.419	0.429	10.64	10.90	0.100	0.106	2.540	2.692	.063	.029
MS29513-112	0.482	0.492	12.24	12.50	0.100	0.106	2.540	2.692	.071	.032
MS29513-113	0.544	0.554	13.82	14.07	0.100	0.106	2.540	2.692	.079	.036
MS29513-114	0.607	0.617	15.42	15.67	0.100	0.106	2.540	2.692	.086	.039
MS29513-115	0.669	0.679	16.99	17.25	0.100	0.106	2.540	2.692	.093	.042
MS29513-116	0.732	0.742	18.59	18.85	0.100	0.106	2.540	2.692	.101	.046
MS29513-117	0.793	0.805	20.14	20.45	0.100	0.106	2.540	2.692	.108	.049
MS29513-118	0.856	0.868	21.74	22.05	0.100	0.106	2.540	2.692	.116	.053
MS29513-119	0.918	0.930	23.32	23.62	0.100	0.106	2.540	2.692	.124	.056
MS29513-120	0.981	0.993	24.92	25.22	0.100	0.106	2.540	2.692	.131	.059
MS29513-121	1.043	1.055	26.49	26.80	0.100	0.106	2.540	2.692	.139	.063
MS29513-122	1.106	1.118	28.09	28.40	0.100	0.106	2.540	2.692	.146	.066
MS29513-123	1.168	1.180	29.67	29.97	0.100	0.106	2.540	2.692	.154	.070
MS29513-124	1.231	1.243	31.27	31.57	0.100	0.106	2.540	2.692	.161	.073
MS29513-125	1.293	1.305	32.84	33.15	0.100	0.106	2.540	2.692	.169	.077
MS29513-126	1.356	1.368	34.44	34.75	0.100	0.106	2.540	2.692	.176	.080
MS29513-127	1.418	1.430	36.02	36.32	0.100	0.106	2.540	2.692	.184	.083
MS29513-128	1.481	1.493	37.62	37.92	0.100	0.106	2.540	2.692	.191	.087
MS29513-129	1.539	1.559	39.09	39.60	0.100	0.106	2.540	2.692	.199	.090
MS29513-130	1.602	1.622	40.69	41.20	0.100	0.106	2.540	2.692	.207	.094
MS29513-131	1.664	1.684	42.27	42.77	0.100	0.106	2.540	2.692	.214	.097
MS29513-132	1.727	1.747	43.87	44.37	0.100	0.106	2.540	2.692	.222	.101
MS29513-133	1.789	1.809	45.44	45.95	0.100	0.106	2.540	2.692	.230	.104
MS29513-134	1.852	1.872	47.04	47.55	0.100	0.106	2.540	2.692	.236	.107
MS29513-135	1.915	1.935	48.64	49.15	0.100	0.106	2.540	2.692	.244	.111
MS29513-136	1.977	1.997	50.22	50.72	0.100	0.106	2.540	2.692	.252	.114
MS29513-137	2.040	2.060	51.82	52.32	0.100	0.106	2.540	2.692	.259	.117
MS29513-138	2.102	2.122	53.39	53.90	0.100	0.106	2.540	2.692	.267	.121
MS29513-139	2.165	2.185	54.99	55.50	0.100	0.106	2.540	2.692	.274	.124
MS29513-140	2.227	2.247	56.57	57.07	0.100	0.106	2.540	2.692	.282	.128
MS29513-141	2.290	2.310	58.17	58.67	0.100	0.106	2.540	2.692	.289	.131
MS29513-142	2.352	2.372	59.74	60.25	0.100	0.106	2.540	2.692	.297	.135
MS29513-143	2.415	2.435	61.34	61.85	0.100	0.106	2.540	2.692	.304	.138
MS29513-144	2.477	2.497	62.92	63.42	0.100	0.106	2.540	2.692	.312	.142
MS29513-145	2.540	2.560	64.52	65.02	0.100	0.106	2.540	2.692	.319	.145
MS29513-146	2.602	2.622	66.09	66.60	0.100	0.106	2.540	2.692	.327	.148
MS29513-147	2.660	2.690	67.56	68.33	0.100	0.106	2.540	2.692	.334	.152
MS29513-148	2.722	2.752	69.14	69.90	0.100	0.106	2.540	2.692	.342	.155
MS29513-149	2.785	2.815	70.74	71.50	0.100	0.106	2.540	2.692	.350	.159

TABLE 1 - PART NUMBERS AND DIMENSIONS (CONTINUED)

PART NUMBER	ID IN		ID (mm)		W DIA IN		W DIA (mm)		APPROX MASS	
	MIN	MAX	MIN	MAX	MIN	MAX	MIN	MAX	LB/100	kg/100
MS29513-150	2.847	2.877	72.31	73.08	0.100	0.106	2.540	2.692	.357	.162
MS29513-151	2.972	3.002	75.49	76.25	0.100	0.106	2.540	2.692	.372	.169
MS29513-152	3.222	3.252	81.84	82.60	0.100	0.106	2.540	2.692	.402	.181
MS29513-153	3.472	3.502	88.19	88.95	0.100	0.106	2.540	2.692	.462	.210
MS29513-154	3.722	3.752	94.54	95.30	0.100	0.106	2.540	2.692	.462	.210
MS29513-155	3.972	4.002	100.89	101.65	0.100	0.106	2.540	2.692	.493	.224
MS29513-156	4.222	4.252	107.24	108.00	0.100	0.106	2.540	2.692	.523	.237
MS29513-157	4.472	4.502	113.59	114.35	0.100	0.106	2.540	2.692	.553	.251
MS29513-158	4.722	4.752	119.94	120.70	0.100	0.106	2.540	2.692	.583	.264
MS29513-159	4.972	5.002	126.29	127.05	0.100	0.106	2.540	2.692	.613	.278
MS29513-160	5.214	5.260	132.44	133.60	0.100	0.106	2.540	2.692	.643	.292
MS29513-161	5.464	5.510	138.79	139.95	0.100	0.106	2.540	2.692	.673	.305
MS29513-162	5.714	5.760	145.14	146.30	0.100	0.106	2.540	2.692	.703	.319
MS29513-163	5.964	6.010	151.49	152.65	0.100	0.106	2.540	2.692	.733	.332
MS29513-164	6.214	6.260	157.84	159.00	0.100	0.106	2.540	2.692	.763	.346
MS29513-165	6.464	6.510	164.19	165.35	0.100	0.106	2.540	2.692	.793	.360
MS29513-166	6.714	6.760	170.54	171.70	0.100	0.106	2.540	2.692	.823	.373
MS29513-167	6.964	7.010	176.89	178.05	0.100	0.106	2.540	2.692	.853	.387
MS29513-168	7.207	7.267	183.06	184.58	0.100	0.106	2.540	2.692	.883	.401
MS29513-169	7.457	7.517	189.41	190.93	0.100	0.106	2.540	2.692	.913	.414
MS29513-170	7.707	7.767	195.76	197.28	0.100	0.106	2.540	2.692	.943	.428
MS29513-171	7.957	8.017	202.11	203.63	0.100	0.106	2.540	2.692	.973	.441
MS29513-172	8.207	8.267	208.46	209.98	0.100	0.106	2.540	2.692	1.003	.455
MS29513-173	8.457	8.517	214.81	216.33	0.100	0.106	2.540	2.692	1.033	.469
MS29513-174	8.707	8.767	221.16	222.68	0.100	0.106	2.540	2.692	1.064	.483
MS29513-175	8.957	9.017	227.51	229.03	0.100	0.106	2.540	2.692	1.094	.496
MS29513-176	9.207	9.267	233.86	235.38	0.100	0.106	2.540	2.692	1.124	.510
MS29513-177	9.457	9.517	240.21	241.73	0.100	0.106	2.540	2.692	1.154	.523
MS29513-178	9.707	9.767	246.56	248.08	0.100	0.106	2.540	2.692	1.184	.537
MS29513-210	0.728	0.740	18.49	18.80	0.135	0.143	3.429	3.632	.191	.087
MS29513-211	0.790	0.802	20.07	20.37	0.135	0.143	3.429	3.632	.205	.093
MS29513-212	0.853	0.865	21.67	21.97	0.135	0.143	3.429	3.632	.219	.099
MS29513-213	0.915	0.927	23.24	23.55	0.135	0.143	3.429	3.632	.232	.105
MS29513-214	0.978	0.990	24.84	25.15	0.135	0.143	3.429	3.632	.246	.112
MS29513-215	1.040	1.052	26.42	26.72	0.135	0.143	3.429	3.632	.260	.118
MS29513-216	1.103	1.115	28.02	28.32	0.135	0.143	3.429	3.632	.274	.124
MS29513-217	1.165	1.177	29.59	29.90	0.135	0.143	3.429	3.632	.287	.130
MS29513-218	1.228	1.240	31.19	31.50	0.135	0.143	3.429	3.632	.302	.137
MS29513-219	1.290	1.302	32.77	33.07	0.135	0.143	3.429	3.632	.315	.143
MS29513-220	1.353	1.365	34.37	34.67	0.135	0.143	3.429	3.632	.328	.149
MS29513-221	1.415	1.427	35.94	36.25	0.135	0.143	3.429	3.632	.342	.155
MS29513-222	1.478	1.490	37.54	37.85	0.135	0.143	3.429	3.632	.356	.161
MS29513-223	1.599	1.619	40.61	41.12	0.135	0.143	3.429	3.632	.383	.174
MS29513-224	1.724	1.744	43.79	44.30	0.135	0.143	3.429	3.632	.411	.186
MS29513-225	1.849	1.869	46.96	47.47	0.135	0.143	3.429	3.632	.438	.199
MS29513-226	1.974	1.994	50.14	50.65	0.135	0.143	3.429	3.632	.466	.211
MS29513-227	2.099	2.119	53.31	53.82	0.135	0.143	3.429	3.632	.493	.224
MS29513-228	2.224	2.244	56.49	57.00	0.135	0.143	3.429	3.632	.529	.240
MS29513-229	2.349	2.369	59.66	60.17	0.135	0.143	3.429	3.632	.548	.249
MS29513-230	2.474	2.494	62.84	63.35	0.135	0.143	3.429	3.632	.575	.261
MS29513-231	2.699	2.619	66.01	66.52	0.135	0.143	3.429	3.632	.603	.274
MS29513-232	2.719	2.749	69.06	69.82	0.135	0.143	3.429	3.632	.630	.286
MS29513-233	2.844	2.874	72.24	73.00	0.135	0.143	3.429	3.632	.657	.298
MS29513-234	2.969	2.999	75.41	76.17	0.135	0.143	3.429	3.632	.685	.311
MS29513-235	3.094	3.124	78.59	79.35	0.135	0.143	3.429	3.632	.712	.323
MS29513-236	3.219	3.249	81.76	82.52	0.135	0.143	3.429	3.632	.740	.336
MS29513-237	3.344	3.374	84.94	85.70	0.135	0.143	3.429	3.632	.767	.348
MS29513-238	3.469	3.499	88.11	88.87	0.135	0.143	3.429	3.632	.794	.360
MS29513-239	3.594	3.624	91.29	92.05	0.135	0.143	3.429	3.632	.822	.373
MS29513-240	3.719	3.749	94.46	95.22	0.135	0.143	3.429	3.632	.849	.385
MS29513-241	3.844	3.874	97.64	98.40	0.135	0.143	3.429	3.632	.877	.398
MS29513-242	3.969	3.999	100.81	101.57	0.135	0.143	3.429	3.632	.904	.410
MS29513-243	4.094	4.124	103.99	104.75	0.135	0.143	3.429	3.632	.932	.423
MS29513-244	4.219	4.249	107.16	107.92	0.135	0.143	3.429	3.632	.959	.435
MS29513-245	4.344	4.374	110.34	111.10	0.135	0.143	3.429	3.632	.986	.447
MS29513-246	4.469	4.499	113.51	114.27	0.135	0.143	3.429	3.632	1.014	.460
MS29513-247	4.594	4.624	116.69	117.45	0.135	0.143	3.429	3.632	1.041	.472

TABLE 1 - PART NUMBERS AND DIMENSIONS (CONTINUED)

PART NUMBER	ID IN		ID (mm)		W DIA IN		W DIA (mm)		APPROX MASS	
	MIN	MAX	MIN	MAX	MIN	MAX	MIN	MAX	LB/100	kg/100
MS29513-248	4.719	4.479	119.86	120.62	0.135	0.143	3.429	3.632	1.068	.484
MS29513-249	4.844	4.874	123.04	123.80	0.135	0.143	3.429	3.632	1.096	.497
MS29513-250	4.969	4.999	126.21	126.97	0.135	0.143	3.429	3.632	1.123	.509
MS29513-251	5.086	5.132	129.18	130.35	0.135	0.143	3.429	3.632	1.151	.522
MS29513-252	5.211	5.257	132.36	133.53	0.135	0.143	3.429	3.632	1.178	.534
MS29513-253	5.336	5.382	135.53	136.70	0.135	0.143	3.429	3.632	1.206	.547
MS29513-254	5.461	5.507	138.71	139.88	0.135	0.143	3.429	3.632	1.233	.559
MS29513-255	5.586	5.632	141.88	143.05	0.135	0.143	3.429	3.632	1.260	.572
MS29513-256	5.711	5.757	145.06	146.23	0.135	0.143	3.429	3.632	1.288	.584
MS29513-257	5.836	5.882	148.23	149.40	0.135	0.143	3.429	3.632	1.315	.596
MS29513-258	5.961	6.007	151.41	152.58	0.135	0.143	3.429	3.632	1.343	.609
MS29513-259	6.211	6.257	157.76	158.93	0.135	0.143	3.429	3.632	1.397	.634
MS29513-260	6.461	6.507	164.11	165.28	0.135	0.143	3.429	3.632	1.452	.659
MS29513-261	6.711	6.757	170.46	171.63	0.135	0.143	3.429	3.632	1.507	.684
MS29513-262	6.961	7.007	176.81	177.98	0.135	0.143	3.429	3.632	1.562	.708
MS29513-263	7.204	7.264	182.98	184.51	0.135	0.143	3.429	3.632	1.617	.733
MS29513-264	7.454	7.514	189.33	190.86	0.135	0.143	3.429	3.632	1.672	.758
MS29513-265	7.704	7.764	195.68	197.21	0.135	0.143	3.429	3.632	1.726	.783
MS29513-266	7.954	8.014	202.03	203.56	0.135	0.143	3.429	3.632	1.781	.808
MS29513-267	8.204	8.264	208.38	209.91	0.135	0.143	3.429	3.632	1.836	.833
MS29513-268	8.454	8.514	214.73	216.26	0.135	0.143	3.429	3.632	1.891	.858
MS29513-269	8.704	8.764	221.08	222.61	0.135	0.143	3.429	3.632	1.946	.983
MS29513-270	8.954	9.014	227.43	228.96	0.135	0.143	3.429	3.632	2.000	.907
MS29513-271	9.204	9.264	233.78	235.31	0.135	0.143	3.429	3.632	2.055	.932
MS29513-272	9.454	9.514	240.13	241.66	0.135	0.143	3.429	3.632	2.110	.957
MS29513-273	9.704	9.764	246.48	248.01	0.135	0.143	3.429	3.632	2.165	.982
MS29513-274	9.954	10.014	252.83	254.36	0.135	0.143	3.429	3.632	2.220	1.007
MS29513-275	10.454	10.514	265.53	267.06	0.135	0.143	3.429	3.632	2.329	1.056
MS29513-276	10.954	11.014	278.23	279.76	0.135	0.143	3.429	3.632	2.439	1.106
MS29513-277	11.454	11.514	290.93	292.46	0.135	0.143	3.429	3.632	2.549	1.156
MS29513-278	11.954	12.014	303.63	305.16	0.135	0.143	3.429	3.632	2.658	1.206
MS29513-279	12.954	13.014	329.03	330.56	0.135	0.143	3.429	3.632	2.878	1.305
MS29513-280	13.954	14.014	354.43	355.96	0.135	0.143	3.429	3.632	3.097	1.405
MS29513-281	14.954	15.014	379.83	381.36	0.135	0.143	3.429	3.632	3.317	1.505
MS29513-282	15.910	16.000	404.11	406.40	0.135	0.143	3.429	3.632	3.531	1.602
MS29513-283	16.910	17.000	429.51	431.80	0.135	0.143	3.429	3.632	3.751	1.701
MS29513-284	17.910	18.000	454.91	457.20	0.135	0.143	3.429	3.632	3.968	1.800
MS29513-325	1.465	1.485	37.21	37.72	0.205	0.215	5.21	5.46	.843	.382
MS29513-326	1.590	1.610	40.39	40.89	0.205	0.215	5.21	5.46	.906	.411
MS29513-327	1.715	1.735	43.56	44.07	0.205	0.215	5.21	5.46	.969	.440
MS29513-328	1.840	1.860	46.74	47.24	0.205	0.215	5.21	5.46	1.031	.468
MS29513-329	1.965	1.985	49.91	50.42	0.205	0.215	5.21	5.46	1.094	.496
MS29513-330	2.090	2.110	53.09	53.59	0.205	0.215	5.21	5.46	1.156	.524
MS29513-331	2.215	2.235	56.26	56.77	0.205	0.215	5.21	5.46	1.219	.553
MS29513-332	2.340	2.360	59.44	59.94	0.205	0.215	5.21	5.46	1.282	.582
MS29513-333	2.465	2.485	62.61	63.12	0.205	0.215	5.21	5.46	1.344	.610
MS29513-334	2.590	2.610	65.79	66.29	0.205	0.215	5.21	5.46	1.407	.638
MS29513-335	2.710	2.740	68.83	69.60	0.205	0.215	5.21	5.46	1.469	.666
MS29513-336	2.835	2.865	72.01	72.77	0.205	0.215	5.21	5.46	1.532	.695
MS29513-337	2.960	2.990	75.18	75.95	0.205	0.215	5.21	5.46	1.594	.723
MS29513-338	3.085	3.115	78.36	79.12	0.205	0.215	5.21	5.46	1.657	.752
MS29513-339	3.210	3.240	81.53	82.30	0.205	0.215	5.21	5.46	1.719	.780
MS29513-340	3.335	3.365	84.71	85.47	0.205	0.215	5.21	5.46	1.782	.808
MS29513-341	3.460	3.490	87.88	88.65	0.205	0.215	5.21	5.46	1.845	.837
MS29513-342	3.585	3.615	91.06	91.82	0.205	0.215	5.21	5.46	1.907	.865
MS29513-343	3.710	3.740	94.23	95.00	0.205	0.215	5.21	5.46	1.970	.894
MS29513-344	3.835	3.865	97.41	98.17	0.205	0.215	5.21	5.46	2.032	.922
MS29513-345	3.960	3.990	100.58	101.35	0.205	0.215	5.21	5.46	2.095	.950
MS29513-346	4.085	4.115	103.76	104.52	0.205	0.215	5.21	5.46	2.157	.978
MS29513-347	4.210	4.240	106.93	107.70	0.205	0.215	5.21	5.46	2.220	1.007
MS29513-348	4.335	4.365	110.11	110.87	0.205	0.215	5.21	5.46	2.282	1.035
MS29513-349	4.460	4.490	113.28	114.05	0.205	0.215	5.21	5.46	2.345	1.064

TABLE 1 - PART NUMBERS AND DIMENSIONS (CONTINUED)

PART NUMBER	ID IN		ID (mm)		W DIA IN		W DIA (mm)		APPROX MASS	
	MIN	MAX	MIN	MAX	MIN	MAX	MIN	MAX	LB/100	kg/100
MS29513-350	4.585	4.615	116.46	117.22	0.205	0.215	5.21	5.46	2.412	1.094
MS29513-351	4.710	4.740	119.63	120.40	0.205	0.215	5.21	5.46	2.474	1.122
MS29513-352	4.835	4.865	122.81	123.57	0.205	0.215	5.21	5.46	2.537	1.151
MS29513-353	4.960	4.990	125.98	126.75	0.205	0.215	5.21	5.46	2.600	1.179
MS29513-354	5.077	5.123	128.96	130.12	0.205	0.215	5.21	5.46	2.662	1.207
MS29513-355	5.202	5.248	132.13	133.30	0.205	0.215	5.21	5.46	2.725	1.236
MS29513-356	5.327	5.373	135.31	136.47	0.205	0.215	5.21	5.46	2.788	1.265
MS29513-357	5.452	5.498	138.48	139.65	0.205	0.215	5.21	5.46	2.851	1.293
MS29513-358	5.577	5.623	141.66	142.82	0.205	0.215	5.21	5.46	2.913	1.321
MS29513-359	5.702	5.748	144.83	146.00	0.205	0.215	5.21	5.46	2.976	1.350
MS29513-360	5.827	5.873	148.01	149.17	0.205	0.215	5.21	5.46	3.038	1.378
MS29513-361	5.952	5.998	151.18	152.35	0.205	0.215	5.21	5.46	3.101	1.407
MS29513-362	6.202	6.248	157.53	158.70	0.205	0.215	5.21	5.46	3.226	1.463
MS29513.363	6.452	6.498	163.88	165.05	0.205	0.215	5.21	5.46	3.352	1.520
MS29513.364	6.702	6.748	170.23	171.40	0.205	0.215	5.21	5.46	3.477	1.577
MS29513-365	6.952	6.998	176.58	177.75	0.205	0.215	5.21	5.46	3.603	1.634
MS29513-366	7.195	7.255	182.75	184.28	0.205	0.215	5.21	5.46	3.728	1.691
MS29513.367	7.445	7.505	189.10	190.63	0.205	0.215	5.21	5.46	3.854	1.748
MS29513-368	7.695	7.755	195.45	196.98	0.205	0.215	5.21	5.46	3.979	1.805
MS29513-369	7.945	8.005	201.80	203.33	0.205	0.215	5.21	5.46	4.104	1.862
MS29513-370	8.195	8.255	208.15	209.68	0.205	0.215	5.21	5.46	4.229	1.918
MS29513-371	8.445	8.505	214.50	216.03	0.205	0.215	5.21	5.46	4.355	1.975
MS29513-372	8.695	8.755	220.85	222.38	0.205	0.215	5.21	5.46	4.480	2.032
MS29513-373	8.945	9.005	227.20	228.73	0.205	0.215	5.21	5.46	4.605	2.089
MS29513-374	9.195	9.255	233.55	235.08	0.205	0.215	5.21	5.46	4.731	2.146
MS29513-375	9.445	9.505	239.90	241.43	0.205	0.215	5.21	5.46	4.856	2.203
MS29513.376	9.695	9.755	246.25	247.78	0.205	0.215	5.21	5.46	4.981	1.259
MS29513-377	9.945	10.005	252.60	254.13	0.205	0.215	5.21	5.46	5.107	2.317
MS29513-378	10.445	10.505	265.30	266.83	0.205	0.215	5.21	5.46	5.358	2.430
MS29513-379	10.945	11.005	278.00	279.53	0.205	0.215	5.21	5.46	5.608	2.544
MS29513-380	11.445	11.505	290.70	292.23	0.205	0.215	5.21	5.46	5.859	2.658
MS29513-381	11.945	12.005	303.40	304.93	0.205	0.215	5.21	5.46	6.110	2.771
MS29513.382	12.945	13.005	328.80	330.33	0.205	0.215	5.21	5.46	6.611	2.998
MS29513-383	13.945	14.005	354.20	355.73	0.205	0.215	5.21	5.46	7.113	3.226
MS29513-384	14.945	15.005	379.60	381.13	0.205	0.215	5.21	5.46	7.614	3.454
MS29513-385	15.910	16.000	404.11	406.40	0.205	0.215	5.21	5.46	8.105	3.676
MS29513-386	16.910	17.000	429.51	431.80	0.205	0.215	5.21	5.46	8.607	3.904
MS29513-387	17.910	18.000	454.91	457.20	0.205	0.215	5.21	5.46	9.108	4.131
MS29513-388	18.910	19.000	480.31	482.60	0.205	0.215	5.21	5.46	9.609	4.359
MS29513-389	19.910	20.000	505.71	508.00	0.205	0.215	5.21	5.46	10.111	4.586
MS29513-390	20.910	21.000	531.11	533.40	0.205	0.215	5.21	5.46	10.612	4.814
MS29513-391	21.910	22.000	556.51	558.80	0.205	0.215	5.21	5.46	11.114	5.041
MS29513-392	22.880	23.000	581.15	584.20	0.205	0.215	5.21	5.46	11.608	5.265
MS29513-393	23.880	24.000	606.55	609.60	0.205	0.215	5.21	5.46	12.109	5.493
MS29513-394	24.880	25.000	632.95	635.00	0.205	0.215	5.21	5.46	12.610	5.720
MS29513-395	25.880	26.000	657.35	660.40	0.205	0.215	5.21	5.46	13.112	5.948
MS29513-425	4.460	4.490	113.28	114.05	0.269	0.281	6.83	7.14	4.077	1.849
MS29513-426	4.585	4.615	116.46	117.22	0.269	0.281	6.83	7.14	4.185	1.898
MS29513-427	4.710	4.740	119.63	120.40	0.269	0.281	6.83	7.14	4.292	1.947
MS29513-428	4.835	4.865	122.81	123.57	0.269	0.281	6.83	7.14	4.399	1.995
MS29513-429	4.960	4.990	125.98	126.75	0.269	0.281	6.83	7.14	4.506	2.044
MS29513.430	5.077	5.123	128.96	130.12	0.269	0.281	6.83	7.14	4.614	2.093
MS29513-431	5.202	5.248	132.13	133.30	0.269	0.281	6.83	7.14	4.721	2.141
MS29513-432	5.237	5.373	135.31	136.47	0.269	0.281	6.83	7.14	4.828	2.190
MS29513-433	5.452	5.498	138.48	139.65	0.269	0.281	6.83	7.14	4.935	2.239
MS29513-434	5.577	5.623	141.66	142.82	0.269	0.281	6.83	7.14	5.042	2.287
MS29513-435	5.702	5.748	144.83	146.00	0.269	0.281	6.83	7.14	5.150	2.336
MS29513-436	5.827	5.873	148.01	149.17	0.269	0.281	6.83	7.14	5.257	2.385
MS29513-437	5.952	5.998	151.18	152.35	0.269	0.281	6.83	7.14	5.364	2.433
MS29513-438	6.202	6.248	157.53	158.70	0.269	0.281	6.83	7.14	5.579	2.531
MS29513-439	6.452	6.498	163.88	165.05	0.269	0.281	6.83	7.14	5.794	2.628
MS29513-440	6.702	6.748	170.23	171.40	0.269	0.281	6.83	7.14	6.008	2.725