

SAE Technical Standards Board Rules provide that: "This report is published by SAE to advance the state of technical and engineering sciences. The use of this report is entirely voluntary, and its applicability and suitability for any particular use, including any patent infringement arising therefrom, is the sole responsibility of the user." SAE reviews each technical report at least every five years at which time it may be revised, reaffirmed, stabilized, or cancelled. SAE invites your written comments and suggestions.

REV. A
SAE AS25027

FEDERAL SUPPLY CLASS
6220

RATIONALE

THE PURPOSE OF THIS REVISION IS TO RELAX REQUIREMENTS ON NON-CRITICAL DIMENSIONS, TO ADD NVIS WHITE (-6).

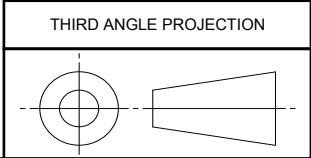
NOTICE

THE INITIAL SAE PUBLICATION OF THIS DOCUMENT WAS TAKEN DIRECTLY FROM U.S. MILITARY STANDARD MS25027F. THIS SAE STANDARD MAY RETAIN THE SAME PART NUMBERS ESTABLISHED BY THE ORIGINAL MILITARY DOCUMENT.

ANY REQUIREMENTS ASSOCIATED WITH QUALIFIED PRODUCTS LISTS (QPL) MAY CONTINUE TO BE MANDATORY FOR DOD CONTRACTS. REQUIREMENTS RELATING TO QPLS HAVE NOT BEEN ADOPTED BY THE SAE FOR THIS STANDARD AND ARE NOT PART OF THIS SAE DOCUMENT.

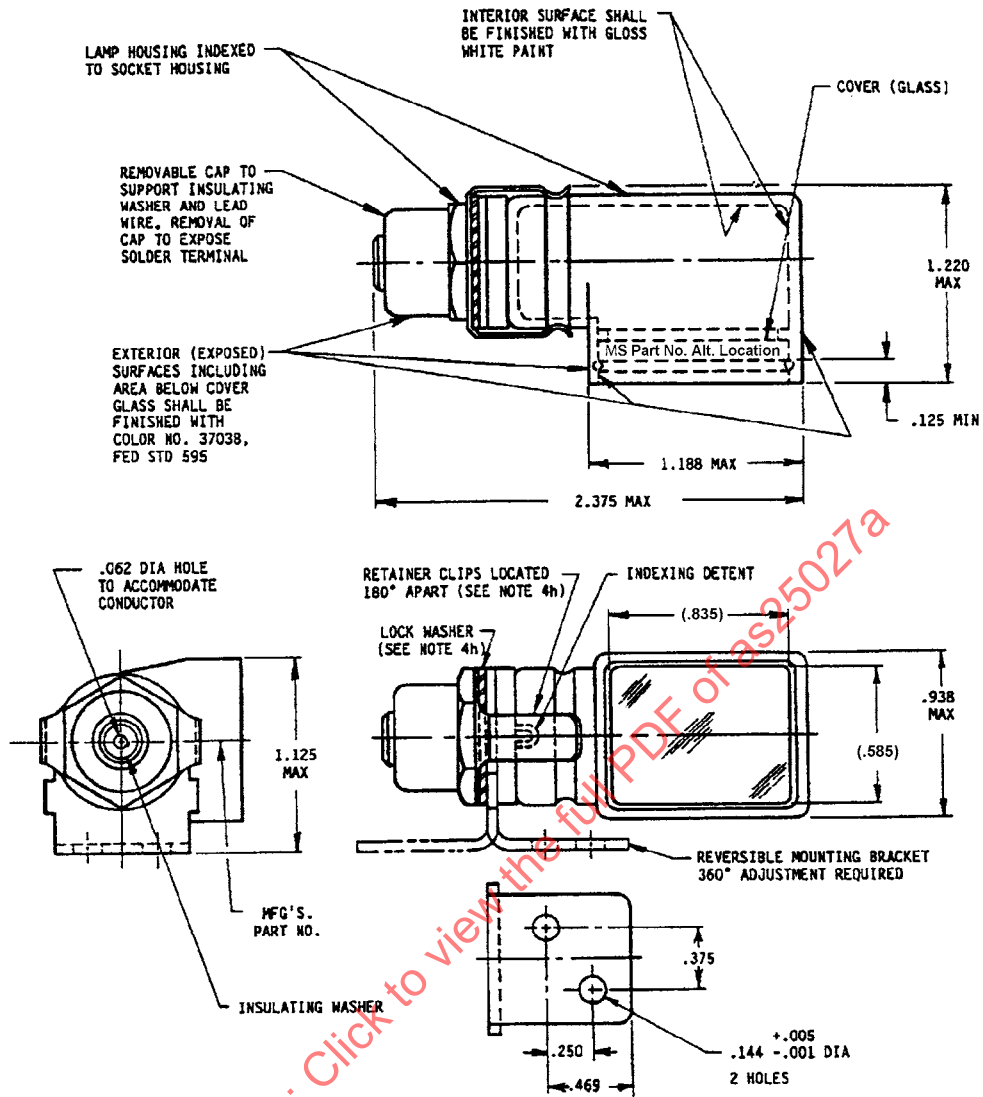
SAENORM.COM : Click to view the full PDF of as25027a

SAE values your input. To provide feedback on this Technical Report, please visit <http://www.sae.org/technical/standards/AS25027A>



ISSUED 1999-07 REVISED 2013-03

CUSTODIAN: A-20/A-20A		PROCUREMENT SPECIFICATION: NONE	
<p>SAE Aerospace An SAE International Group</p>	AEROSPACE STANDARD		SAE AS25027 SHEET 1 OF 3
	LIGHT ASSEMBLY, COCKPIT, FIXED		



MS25027 DASH NO.	COVER (GLASS)
-1 (a)	IDENTIFICATION RED, DIFFUSING
-2 (a)	NONE
-3 (a)	WHITE, DIFFUSING
-4 (a)	INSTRUMENT WHITE (PER MIL-L-27160 AND MIL-STD-3009)
-5 (a)	NVIS GREEN "A" (PER MIL-L-85762A)
-6 (a)	NVIS WHITE (PER MIL-STD-3009)

(a) -1, -2, -3, -4, -5, -6 ARE FOR LIGHT ASSEMBLY WITHOUT LAMP. IF SHIPMENT WITH LAMP IS DESIRED, LAMP REQUIRED SHOULD BE SPECIFIED.

FIGURE 1 - FIXED COCKPIT LIGHT ASSEMBLY