

RATIONALE

1. ERROR CORRECTIONS.
2. NOTE 11: NEW WORDING FOR PROCUREMENT NOTE.
3. WARNING NOTE ADDED FOR RESTRICTED MATERIAL.
4. TITLE ADDED TO TABLE 1. THE 5 IN TABLE 1 AND IN NOTE 5 IS CHANGED TO /5/.
5. TOLERANCES FOR HEX E CHANGED TO COMPLY WITH ARP1201, SEE NOTE /7/.

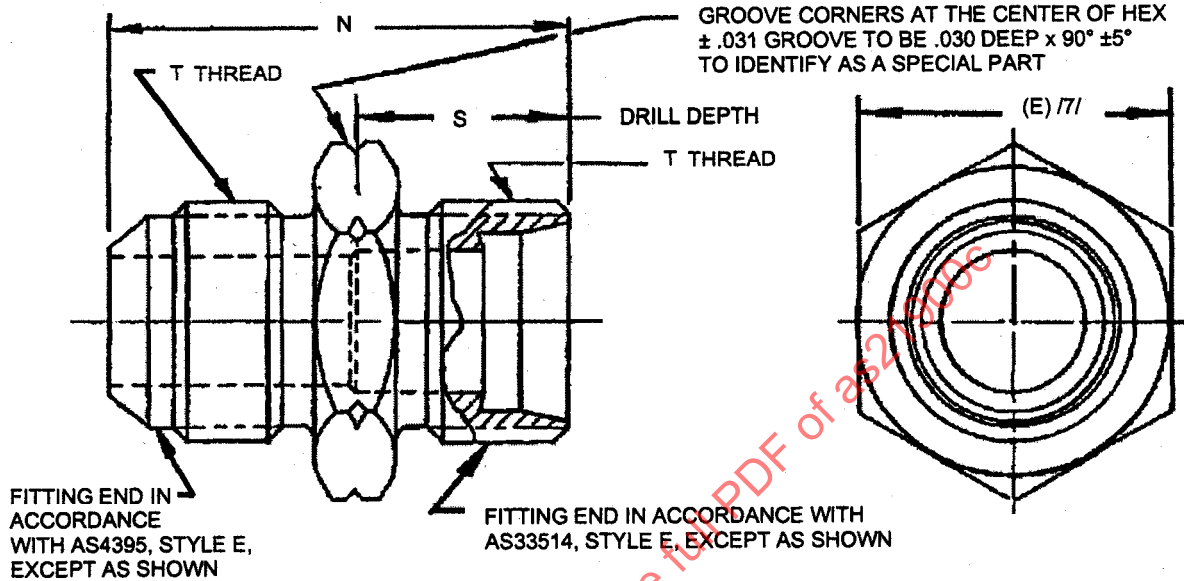
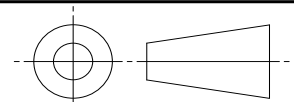


FIGURE 1 - ADAPTER, FLARELESS TUBE TO A FLARED TUBE

TABLE 1 - DIMENSIONS

DASH NO. /5/	NOMINAL TUBE SIZE	T THREAD AS8879	E /7/	N	S ±.031	WEIGHT, LB/EA, APPROX, REF.		
						STEEL	AL ALLOY	TI ALLOY
-3	.188	.3750-24 UNJF-3A	.625	1.156	THRU	.044	.015	.025
-4	.250	.4375-20 UNJF-3A	.688	1.188	.563	.053	.019	.030
-5	.313	.5000-20 UNJF-3A	.750	1.156	THRU	.060	.021	.034
-6	.375	.5625-18 UNJF-3A	.813	1.281	THRU	.073	.026	.042
-8	.500	.7500-16 UNJF-3A	1.000	1.469	.688	.133	.046	.076
-10	.625	.8750-14 UNJF-3A	1.125	1.688	.781	.182	.065	.105
-12	.750	1.0625-12 UNJ-3A	1.375	1.938	.875	.305	.109	.175
-16	1.000	1.3125-12 UNJ-3A	1.625	1.969	.844	.414	.145	.328
-20	1.250	1.6250-12 UNJ-3A	1.875	2.000	.875	.625	.209	.360
-24	1.500	1.8750-12 UNJ-3A	2.125	2.156	.875	.820	.280	.473
-32	2.000	2.5000-12 UNJ-3A	2.750	2.469	.906	1.596	.510	.920

THIRD ANGLE PROJECTION



CUSTODIAN: SAE G-3/G-3B

PROCUREMENT SPECIFICATION: /11/ AS18280

SAE Aerospace
An SAE International Group

AEROSPACE STANDARD

ADAPTER, FLARELESS TUBE TO A FLARED TUBE

SAE AS21900C
SHEET 1 OF 3

SAE Technical Standards Board Rules provide that: "This report is published by SAE to advance the state of technical and engineering sciences. The use of this report is entirely voluntary, and its applicability and suitability for any particular use, including any patent infringement arising therefrom, is the sole responsibility of the user."

SAE reviews each technical report at least every five years at which time it may be reaffirmed, revised, or cancelled. SAE invites your written comments and suggestions.

ISSUED 1998-03 REAFFIRMED 2007-07 REVISED 2008-06

NOTES:

NOTICE

THIS DOCUMENT REFERENCES A PART WHICH CONTAINS CADMIUM AS PLATING MATERIAL. CONSULT LOCAL OFFICIALS IF YOU HAVE QUESTIONS CONCERNING CADMIUM'S USE.

1. MATERIAL:

SEE PROCUREMENT SPECIFICATION.
ALLOY STEEL
ALUMINUM ALLOY
CORROSION RESISTANT STEEL
TITANIUM ALLOY

2. FINISH: SEE PROCUREMENT SPECIFICATION

3. BREAK EDGES .003 TO .015 UNLESS OTHERWISE SPECIFIED.

4. DIMENSIONS ARE IN INCHES. UNLESS OTHERWISE SPECIFIED, TOLERANCES: DECIMALS ± 0.016 , ANGLES $\pm 0^{\circ}30'$.

/5/ PART NUMBERS:

DASH "-" IN PART NUMBER FOR 4130 ALLOY STEEL IS CANCELLED AND REPLACED, SEE TABLE 2 /A/
ADD "V(SIZE)P" IN PLACE OF DASH FOR CORROSION RESISTANT STEEL (15-5PH), CADMIUM PLATED
ADD "V" IN PLACE OF DASH FOR CORROSION RESISTANT STEEL (15-5PH), NOT CADMIUM PLATED
ADD "D" IN PLACE OF DASH FOR ALUMINUM ALLOY (2024): CANCELLED AND REPLACED, SEE TABLE 2 /C/
ADD "W" IN PLACE OF DASH FOR ALUMINUM ALLOY (7075)
ADD "J" IN PLACE OF DASH FOR CORROSION RESISTANT STEEL (TYPE 304)
ADD "K" IN PLACE OF DASH FOR CORROSION RESISTANT STEEL (TYPE 316)
ADD "R" AFTER DASH NUMBER FOR CORROSION RESISTANT STEEL (TYPE 321)
ADD "S" AFTER DASH NUMBER FOR CORROSION RESISTANT STEEL (TYPE 347): REPLACED, SEE TABLE 2 /D/
ADD "T" AFTER DASH NUMBER FOR TITANIUM ALLOY (6AL-4V).

EXAMPLES OF PART NUMBERS:

MS21900-4	ADAPTER, .250 TUBING, 4130 ALLOY STEEL IS CANCELLED AND REPLACED, SEE TABLE 2 /A/
MS21900V4P	ADAPTER, .250 TUBING, CORROSION RESISTANT STEEL (15-5PH), CADMIUM PLATED
MS21900V4	ADAPTER, .250 TUBING, CORROSION RESISTANT STEEL (15-5PH), NOT CADMIUM PLATED
MS21900D4	ADAPTER, .250 TUBING, ALUMINUM ALLOY (2024) IS CANCELLED, REPLACED, SEE TABLE 2 /C/
MS21900W4	ADAPTER, .250 TUBING, ALUMINUM ALLOY (7075)
MS21900J4	ADAPTER, .250 TUBING, CORROSION RESISTANT STEEL (TYPE 304)
MS21900K4	ADAPTER, .250 TUBING, CORROSION RESISTANT STEEL (TYPE 316)
MS21900-4R	ADAPTER, .250 TUBING, CORROSION RESISTANT STEEL (TYPE 321)
MS21900-4S	ADAPTER, .250 TUBING, CORROSION RESISTANT STEEL (TYPE 347) IS CANCELLED, SEE TABLE 2 /D/
MS21900-4T	ADAPTER, .250 TUBING, TITANIUM ALLOY (6AL-4V)

6. TITANIUM SHALL NOT BE USED FOR OXYGEN SYSTEMS.

/7/ FOR FITTING END DIMENSIONS AND TOLERANCES USE AS4395, STYLE E AND AS33514, STYLE E. FOR HEX TOLERANCES USE ARP1201.

8. SEE TABLE 2 FOR CANCELLED AND SUPERSEDED DOCUMENT AND PART NUMBERS.

9. REFERENCED DOCUMENTS SHALL BE OF THE ISSUE IN EFFECT ON DATE OF INVITATIONS FOR BID.

10. IN THE EVENT OF A CONFLICT BETWEEN THE TEXT OF THIS STANDARD AND THE REFERENCES CITED HEREIN, THE TEXT OF THIS STANDARD SHALL TAKE PRECEDENCE.

 An SAE International Group	AEROSPACE STANDARD	 AS21900C SHEET 2 OF 3
	ADAPTER, FLARELESS TUBE TO A FLARED TUBE	