

# National Fuel Gas Code

2009  
EDITION

NFPA® 54  
ANSI Z223.1  
An American National Standard



See ALERT



## IMPORTANT NOTICES AND DISCLAIMERS CONCERNING AGA and NFPA DOCUMENTS

### NOTICE AND DISCLAIMER OF LIABILITY CONCERNING THE USE OF AGA and NFPA DOCUMENTS

NFPA codes, standards, recommended practices, and guides, of which the document contained herein is one, and AGA's Z223.1 are developed through a consensus standards development process approved by the American National Standards Institute. This process brings together volunteers representing varied viewpoints and interests to achieve consensus on fire and other safety issues. While the AGA and the NFPA administer the process and establish rules to promote fairness in the development of consensus, they do not independently test, evaluate, or verify the accuracy of any information or the soundness of any judgments contained in their codes and standards.

The AGA and NFPA disclaim liability for any personal injury, property or other damages of any nature whatsoever, whether special, indirect, consequential or compensatory, directly or indirectly resulting from the publication, use of, or reliance on this document. The AGA and the NFPA also make no guaranty or warranty as to the accuracy or completeness of any information published herein.

In issuing and making this document available, the AGA and the NFPA are not undertaking to render professional or other services for or on behalf of any person or entity. Nor are the AGA and the NFPA undertaking to perform any duty owed by any person or entity to someone else. Anyone using this document should rely on his or her own independent judgment or, as appropriate, seek the advice of a competent professional in determining the exercise of reasonable care in any given circumstances.

The AGA and the NFPA have no power, nor do they undertake, to police or enforce compliance with the contents of this document. Nor do the AGA and the NFPA list, certify, test or inspect products, designs, or installations for compliance with this document. Any certification or other statement of compliance with the requirements of this document shall not be attributable to the AGA and the NFPA and is solely the responsibility of the certifier or maker of the statement.

Important Notices and Disclaimers continued on inside back cover.



#### **ALERT: THIS STANDARD HAS BEEN MODIFIED BY A TIA OR ERRATA**

Users of NFPA codes, standards, recommended practices, and guides ("NFPA Standards") should be aware that NFPA Standards may be amended from time to time through the issuance of Tentative Interim Amendments or corrected by Errata. An official NFPA Standard at any point in time consists of the current edition of the document together with any Tentative Interim Amendment and any Errata then in effect.

In order to determine whether an NFPA Standard has been amended through the issuance of Tentative Interim Amendments or corrected by Errata, visit the "Codes & Standards" section on NFPA's website. There, the document information pages located at the "List of NFPA Codes & Standards" provide up-to-date, document-specific information including any issued Tentative Interim Amendments and Errata.

To view the document information page for a specific NFPA Standard, go to <http://www.nfpa.org/docinfo> to choose from the list of NFPA Standards or use the search feature to select the NFPA Standard number (e.g., NFPA 101). The document information page includes postings of all existing Tentative Interim Amendments and Errata. It also includes the option to register for an "Alert" feature to receive an automatic email notification when new updates and other information are posted regarding the document.



**IMPORTANT NOTICES AND DISCLAIMERS CONCERNING AGA AND NFPA DOCUMENTS**  
(Continued from inside front cover)

**ADDITIONAL NOTICES AND DISCLAIMERS**

**Updating of AGA and NFPA Documents**

Users of NFPA codes, standards, recommended practices, and guides and AGA Z223.1 should be aware that these documents may be superseded at any time by the issuance of new editions or may be amended from time to time through the issuance of Tentative Interim Amendments.

An official AGA or NFPA document at any point in time consists of the current edition of the document together with any Tentative Interim Amendments and any Errata then in effect. In order to determine whether a given document is the current edition and whether it has been amended through the issuance of Tentative Interim Amendments or corrected through the issuance of Errata, consult appropriate NFPA publications such as the National Fire Codes® Subscription Service, visit the NFPA website at [www.nfpa.org](http://www.nfpa.org), or contact the AGA or NFPA at the address listed below.

**Interpretations of AGA and NFPA Documents**

A statement, written or oral, that is not processed in accordance with the interpretation procedures of the Z223 Committee or Section 6 of the NFPA Regulations Governing Committee Projects shall not be considered the official position of the Z223 Committee or the NFPA or any of its Committees and shall not be considered to be, nor be relied upon as, a Formal Interpretation.

**Patents**

The AGA and the NFPA do not take any position with respect to the validity of any patent rights asserted in connection with any items which are mentioned in or are the subject of AGA and NFPA codes, standards, recommended practices, and guides, and the AGA and the NFPA disclaim liability for the infringement of any patent resulting from the use of or reliance on these documents. Users of these documents are expressly advised that determination of the validity of any such patent rights, and the risk of infringement of such rights, is entirely their own responsibility.

AGA and NFPA adhere to applicable policies of the American National Standards Institute with respect to patents. For further information contact the AGA or NFPA at the address listed below.

**Law and Regulations**

Users of these documents should consult applicable federal, state, and local laws and regulations. The AGA and NFPA do not, by the publication of their codes, standards, recommended practices, and guides, intend to urge action that is not in compliance with applicable laws, and these documents may not be construed as doing so.

**Copyrights**

This document is copyrighted by the AGA and the NFPA. It is made available for a wide variety of both public and private uses. These include both use, by reference, in laws and regulations, and use in private self-regulation, standardization, and the promotion of safe practices and methods. By making this document available for use and adoption by public authorities and private users, the AGA and the NFPA do not waive any rights in copyright to this document.

Use of AGA and NFPA documents for regulatory purposes should be accomplished through adoption by reference. The term “adoption by reference” means the citing of title, edition, and publishing information only. Any deletions, additions, and changes desired by the adopting authority should be noted separately in the adopting instrument. In order to assist NFPA in following the uses made of its documents, adopting authorities are requested to notify the NFPA (Attention: Secretary, Standards Council) in writing of such use. For technical assistance and questions concerning adoption of AGA and NFPA documents, contact the AGA or the NFPA at the address below.

**For Further Information**

All questions or other communications relating to AGA and NFPA codes, standards, recommended practices, and guides and all requests for information on AGA and NFPA procedures governing their codes and standards development process, including information on the procedures for requesting Formal Interpretations, for proposing Tentative Interim Amendments, and for proposing revisions to AGA or NFPA documents during regular revision cycles, should be sent to AGA headquarters, addressed to the attention of the Secretary, Accredited Standards Committee Z223, 400 N. Capitol Street, N.W., Washington, DC 20001 and to NFPA headquarters, addressed to the attention of the Secretary, Standards Council, NFPA, 1 Batterymarch Park, P.O. Box 9101, Quincy, MA 02269-9101.

For more information about NFPA, visit the NFPA website at [www.nfpa.org](http://www.nfpa.org).

For more information about AGA, visit the AGA website at [www.aga.org](http://www.aga.org).

Copyright © 2008, by the National Fire Protection Association® and the American Gas Association. All Rights Reserved.

NFPA® 54-2009

ANSI Z223.1-2009

## National Fuel Gas Code

2009 Edition

This edition of ANSI Z223.1/NFPA 54, *National Fuel Gas Code*, was prepared by the Technical Committee on National Fuel Gas Code and acted on by NFPA at its June Association Technical Meeting held June 2-5, 2008, in Las Vegas, NV. It was issued by the Standards Council on July 24, 2008, with an effective date of September 5, 2008, and supersedes all previous editions.

Two tentative interim amendments (TIAs) were issued on July 24, 2008. The first TIA deletes a new paragraph 12.2.4 proposed in the ROP and ROC. As a result, Paragraph 12.2.4 does not appear in this edition. The second TIA revises Table A.5.6. An additional TIA has been attached to the end of the document following the index. For further information on tentative interim amendments, see Section 5 of the NFPA Regulations Governing Committee Projects available at:

<http://www.nfpa.org/assets/files/PDF/CodesStandards/TIAErrataFI/TIAREgs.pdf>

This edition of ANSI Z223.1/NFPA 54 was approved as an American National Standard on September 5, 2008. The ANSI designation is Z223.1-2009. The NFPA designation is NFPA 54-2009.

### Origin and Development of ANSI Z223.1/NFPA 54

This code offers criteria for the installation and operation of gas piping and gas equipment on consumers' premises. It is the cumulative result of years of experience of many individuals and many organizations acquainted with the installation of gas piping and equipment designed for utilization of gaseous fuels. It is intended to promote public safety by providing requirements for the safe and satisfactory utilization of gas.

Changes in this code can become necessary from time to time. When any revision is deemed advisable, recommendations should be forwarded to the Secretary, Accredited Standards Committee Z223, 400 N. Capitol St. NW, Washington, DC 20001, and the Secretary, Standards Council, National Fire Protection Association, 1 Batterymarch Park, Quincy, MA 02169-7471.

Prior to 1974, the following three codes covered the installation of gas piping and appliances:

- (1) American National Standard Installation of Gas Appliances and Gas Piping, ANSI Z21.30 (NFPA 54)
- (2) Installation of Gas Piping and Gas Equipment on Industrial Premises and Certain Other Premises, ANSI Z83.1 (NFPA 54A)
- (3) Fuel Gas Piping, ASME B31.2

The first edition of the code was issued in 1974. It combined the requirements of the three predecessor documents. The American Gas Association and the National Fire Protection Association have continued co-sponsorship of the code following the first edition.

The second edition of the code, incorporating pertinent portions of B31.2, was issued in 1980, and reorganized the code to the current format. The third, fourth, fifth, sixth, and seventh editions were issued in 1984, 1988, 1992, 1996, and 1999, respectively. The scope of the code was expanded in 1988 to include piping systems up to and including 125 psi (862 kPa).

The 2002 edition revised the requirements for air for combustion and ventilation to recognize changes in building construction practices. Also, coverage of sizing of gas piping systems was updated.

The 2006 edition incorporated expanded steel, copper, and polyethylene pipe sizing tables. Requirements for appliance shutoff valves were revised to allow manifold systems with all shutoff valves in one location up to 50 ft from the most remote appliance, and the chapters were reorganized by application.

Changes to the 2009 edition include allowing press-connect fittings for gas piping systems, new requirements for bonding of CSST piping systems, expanded CSST sizing tables to recognize additional available sizes, new coverage of outdoor decorative appliances, and a new requirement to seal the annular space around the side wall vent penetrations.

Prior editions of this document have been translated into languages other than English, including Spanish.



## Technical Committee on National Fuel Gas Code

**Windell F. Peters**, *Chair*  
AGL Resources Inc., GA [IM]  
Rep. American Gas Association

**Paul W. Cabot**, *Nonvoting Secretary*  
American Gas Association, DC [IM]

**Edward Angelone**, National Grid, NY [IM]  
Rep. American Gas Association

**James P. Brewer**, Magic Sweep Corporation, VA [IM]  
Rep. National Chimney Sweep Guild

**Duane W. Brown**,† Ranger Insurance Company, TX [I]

**Lawrence Brown**,† National Association of Home Builders, DC [IM]

**William H. Bruno**, Bruno's Consultant Enterprises, LLC, MO [SE]

**Thomas E. Buchal**, Intertek Testing Services NA, Inc., NY [RT]

**Todd W. Buechler**,\* Fairmont Specialty Insurance, IL [I]

**Allen J. Callahan**, CSA America, Inc., OH [RT]

**S. Ron Caudle**,† Southern California Gas Company, CA [ES]

**Sidney L. Cavanaugh**,† United Association, CA [IM]

**Sharon E. Coates**, State of Arkansas, AR [E]  
Rep. International Fire Marshals Association

**Thomas R. Crane**, Crane Engineering, MN [SE]

**Mike Deegan**, Clearwater Gas System, FL [U]  
Rep. American Public Gas Association

**Glen A. Edgar**, Selkirk Corporation, OH [M]  
Rep. The Air-Conditioning, Heating, and Refrigeration Institute

**Alberto Jose Fossa**,\* MDJ, Assessoria & Engenharia Consultiva, Brasil [SE]  
Rep. NFPA Latin American Section

**Ronnie Ray Frazier**, Atmos Energy Corporation, TX [IM]  
Rep. American Gas Association

**Mike Gorham**, Northwest Gas Company, MN [IM]  
Rep. National Propane Gas Association

**Gregg A. Gress**, International Code Council, IL [E]

**Wilbur L. Haag, Jr.**,\* A. O. Smith Water Products Company, SC [M]  
Rep. The Air-Conditioning, Heating, and Refrigeration Institute

**Steen Hagensen**, EXHAUSTO, Inc., GA [M]

**Karl Harn**,† Oregon Mechanical Officials Association, OR [EA]

**Patricio J. Himes**, Sistemas de Energia, Mexico [U]  
Rep. Asociación Mexicana de Distribuidores de Gas

**Peter T. Holmes**,\* State of Maine, ME [E]

**Theodore C. Lemoff**,† National Fire Protection Association, MA [EA]

**Adam Muliawan**,† International Association of Plumbing and Mechanical Officials, CA [EA]

**Brian C. Olson**, U.S. Department of the Interior, CO [U]

**James T. Osterhaus**, Railroad Commission of Texas, TX [E]

**Dale L. Powell**, Copper Development Association, PA [M]

**Robert E. Rhead**,† Schirmer Engineering Corporation

**Phillip H. Ribbs**,\* PHR Consultants, CA [E]  
Rep. International Association of Plumbing & Mechanical Officials

**David W. Rock**,\* City of Portland, OR [E]  
Rep. Oregon Mechanical Officials Association

**Bryan K. Rocky**, Johnson Controls, Inc., KS [M]  
Rep. The Air-Conditioning, Heating, and Refrigeration Institute

**Issac P. Sargunam**, Consultant, TN [M]  
Rep. Association of Home Appliance Manufacturers

**Lynne Simnick**, International Association of Plumbing & Mechanical Officials, IN [E]

**Thomas R. Stroud**,† Health, Patio and Barbeque Association, VA [M]

**Robert Wozniak**, Underwriters Laboratories Inc., NY [RT]

**Stephen M. Yapchanyk**,† American Gas Association, NY [ES]

### Alternates

**Paul E. Beach**, Emerson Electric Company, OH [M]  
(Alt. to W. L. Haag, Jr.)

**Royal Edwards,\*** National Chimney Sweep Guild,  
FL [IM]

(Alt. to J. P. Brewer)

**Richard L. Gilbert**, Railroad Commission of Texas,  
TX [E]

(Alt. to J. T. Osterhaus)

**Jacob H. Hall**, Rheem Manufacturing Company, AL [M]

(Alt. to B. K. Rocky)

**John M. Halliwill,\*** International Association of  
Plumbing & Mechanical Officials, CA [E]

(Alt. to L. Simnick)

**Andrea Papageorge,†** American Gas Association, GA [ES]

**Martin P. Petchul,\*** Piedmont Natural Gas Company,  
NC [IM]

(Alt. to E. Angelone)

**Robert E. Stack**, CSA America, Inc., OH [RT]

(Alt. to A. J. Callahan)

**Bruce J. Swiecicki**, National Propane Gas Association,  
IL [IM]

(Alt. to M. Gorham)

**John R. Wiggins,\*** Underwriters Laboratories Inc.,  
NC [RT]

(Alt. to R. Wozniak)

**Theodore C. Lemoff\***, NFPA Staff Liaison

\*NFPA 54 Committee only. †Z223 Committee only.

*This list represents the membership at the time the Committee was balloted on the final text of this edition. Since that time, changes in the membership may have occurred. A key to classifications is found at the back of the document.*

NOTE: Membership on a committee shall not in and of itself constitute an endorsement of the Association or any document developed by the committee on which the member serves.

**Committee Scope:** This Committee shall have primary responsibility for documents on safety code for gas piping systems on consumers' premises and the installation of gas utilization equipment and accessories for use with fuel gases such as natural gas, manufactured gas, liquefied petroleum gas in the vapor phase, liquefied petroleum gas-air mixtures, or mixtures of these gases, including the following: (a) The design, fabrication, installation, testing, operation, and maintenance of gas piping systems from the point of delivery to the connections with each gas utilization device. Piping systems covered by this Code are limited to a maximum operating pressure of 125 psig. For purposes of this Code, the point of delivery is defined as the outlet of the meter set assembly, or the outlet of the service regulator or service shutoff valve where no meter is provided. (b) The installation of gas utilization equipment, related accessories, and their ventilation and venting systems.



## Contents

<b>Chapter 1 Administration</b> .....	<b>54- 7</b>	<b>Chapter 7 Gas Piping Installation</b> .....	<b>54- 57</b>
1.1 Scope .....	54- 7	7.1 Piping Underground .....	54- 57
1.2 Purpose .....	54- 7	7.2 Installation of Piping .....	54- 58
1.3 Retroactivity .....	54- 7	7.3 Concealed Piping in Buildings .....	54- 58
1.4 Equivalency .....	54- 8	7.4 Piping in Vertical Chases .....	54- 59
1.5 Enforcement .....	54- 8	7.5 Gas Pipe Turns .....	54- 59
<b>Chapter 2 Referenced Publications</b> .....	<b>54- 8</b>	7.6 Drips and Sediment Traps .....	54- 59
2.1 General .....	54- 8	7.7 Outlets .....	54- 59
2.2 NFPA Publications .....	54- 8	7.8 Branch Pipe Connection .....	54- 60
2.3 Other Publications .....	54- 8	7.9 Manual Gas Shutoff Valves .....	54- 60
2.4 References for Extracts in Mandatory Sections .....	54- 9	7.10 Prohibited Devices .....	54- 60
<b>Chapter 3 Definitions</b> .....	<b>54- 9</b>	7.11 Systems Containing Gas-Air Mixtures Outside the Flammable Range .....	54- 60
3.1 General .....	54- 9	7.12 Systems Containing Flammable Gas-Air Mixtures .....	54- 60
3.2 NFPA Official Definitions .....	54- 9	7.13 Electrical Bonding and Grounding .....	54- 61
3.3 General Definitions .....	54- 9	7.14 Electrical Circuits .....	54- 61
<b>Chapter 4 General</b> .....	<b>54- 17</b>	7.15 Electrical Connections .....	54- 61
4.1 Qualified Agency .....	54- 17	<b>Chapter 8 Inspection, Testing, and Purging</b> .....	<b>54- 61</b>
4.2 Interruption of Service .....	54- 17	8.1 Pressure Testing and Inspection .....	54- 61
4.3 Prevention of Accidental Ignition .....	54- 17	8.2 Piping System Leak Check .....	54- 62
<b>Chapter 5 Gas Piping System Design, Materials,       and Components</b> .....	<b>54- 17</b>	8.3 Purging .....	54- 62
5.1 Piping Plan .....	54- 17	<b>Chapter 9 Appliance, Equipment, and       Accessory Installation</b> .....	<b>54- 63</b>
5.2 Provision for Location of Point of Delivery .....	54- 17	9.1 General .....	54- 63
5.3 Interconnections Between Gas Piping Systems .....	54- 17	9.2 Accessibility and Clearance .....	54- 65
5.4 Sizing of Gas Piping Systems .....	54- 17	9.3 Air for Combustion and Ventilation .....	54- 65
5.5 Piping System Operating Pressure Limitations .....	54- 18	9.4 Appliances on Roofs .....	54- 67
5.6 Acceptable Piping Materials and Joining Methods .....	54- 18	9.5 Appliances in Attics .....	54- 67
5.7 Gas Meters .....	54- 20	9.6 Appliance and Equipment Connections to Building Piping .....	54- 68
5.8 Gas Pressure Regulators .....	54- 21	9.7 Electrical .....	54- 69
5.9 Overpressure Protection Devices .....	54- 21	9.8 Room Temperature Thermostats .....	54- 69
5.10 Back Pressure Protection .....	54- 22	<b>Chapter 10 Installation of Specific Appliances</b> .....	<b>54- 69</b>
5.11 Low-Pressure Protection .....	54- 22	10.1 General .....	54- 69
5.12 Shutoff Valves .....	54- 22	10.2 Air-Conditioning Appliances (Gas-Fired Air Conditioners and Heat Pumps) .....	54- 69
5.13 Excess Flow Valve(s) .....	54- 22	10.3 Central Heating Boilers and Furnaces ....	54- 70
5.14 Expansion and Flexibility .....	54- 22	10.4 Clothes Dryers .....	54- 73
<b>Chapter 6 Pipe Sizing</b> .....	<b>54- 23</b>	10.5 Conversion Burners .....	54- 74
6.1 Pipe Sizing Methods .....	54- 23	10.6 Decorative Appliances for Installation in Vented Fireplaces .....	54- 74
6.2 Tables for Sizing Gas Piping Systems Using Natural Gas .....	54- 23	10.7 Gas Fireplaces, Vented .....	54- 74
6.3 Tables for Sizing Gas Piping Systems Using Propane .....	54- 23	10.8 Non-Recirculating Direct Gas-Fired Industrial Air Heaters .....	54- 75
6.4 Sizing Equations .....	54- 23	10.9 Recirculating Direct Gas-Fired Industrial Air Heaters .....	54- 75
		10.10 Duct Furnaces .....	54- 76
		10.11 Floor Furnaces .....	54- 76



10.12	Food Service Appliance, Floor-Mounted .....	54- 77	12.12	Vent Connectors for Category II, Category III, and Category IV Appliances .....	54- 92
10.13	Food Service Appliances, Counter Appliances .....	54- 78	12.13	Draft Hoods and Draft Controls .....	54- 92
10.14	Hot Plates and Laundry Stoves .....	54- 78	12.14	Manually Operated Dampers .....	54- 93
10.15	Household Cooking Appliances .....	54- 78	12.15	Automatically Operated Vent Dampers ...	54- 93
10.16	Illuminating Appliances .....	54- 79	12.16	Obstructions .....	54- 93
10.17	Incinerators, Commercial-Industrial .....	54- 80	<b>Chapter 13</b>	<b>Sizing of Category I Venting Systems .....</b>	<b>54- 93</b>
10.18	Infrared Heaters .....	54- 80	13.1	Additional Requirements to Single Appliance Vent .....	54- 93
10.19	Open-Top Broiler Units .....	54- 80	13.2	Additional Requirements to Multiple-Appliance Vent .....	54-101
10.20	Outdoor Cooking Appliances .....	54- 80	<b>Annex A</b>	<b>Explanatory Material .....</b>	<b>54-112</b>
10.21	Pool Heaters .....	54- 80	<b>Annex B</b>	<b>Coordination of Appliance and Equipment Design, Construction, and Maintenance .....</b>	<b>54-122</b>
10.22	Refrigerators .....	54- 81	<b>Annex C</b>	<b>Sizing and Capacities of Gas Piping .....</b>	<b>54-123</b>
10.23	Room Heaters .....	54- 81	<b>Annex D</b>	<b>Suggested Method of Checking for Leakage .....</b>	<b>54-133</b>
10.24	Stationary Gas Engines .....	54- 81	<b>Annex E</b>	<b>Suggested Emergency Procedure for Gas Leaks .....</b>	<b>54-134</b>
10.25	Gas-Fired Toilets .....	54- 81	<b>Annex F</b>	<b>Flow of Gas Through Fixed Orifices .....</b>	<b>54-134</b>
10.26	Unit Heaters .....	54- 81	<b>Annex G</b>	<b>Sizing of Venting Systems Serving Appliances Equipped with Draft Hoods, Category I Appliances, and Appliances Listed for Use with Type B Vents .....</b>	<b>54-139</b>
10.27	Wall Furnaces .....	54- 82	<b>Annex H</b>	<b>Recommended Procedure for Safety Inspection of an Existing Appliance Installation .....</b>	<b>54-146</b>
10.28	Water Heaters .....	54- 82	<b>Annex I</b>	<b>Indoor Combustion Air Calculation Examples .....</b>	<b>54-147</b>
10.29	Compressed Natural Gas (CNG) Vehicular Fuel Systems .....	54- 83	<b>Annex J</b>	<b>Example of Combination of Indoor and Outdoor Combustion and Ventilation Opening Design .....</b>	<b>54-149</b>
10.30	Appliances for Installation in Manufactured Housing .....	54- 83	<b>Annex K</b>	<b>Other Useful Definitions .....</b>	<b>54-149</b>
10.31	Fuel Cell Power Plants .....	54- 83	<b>Annex L</b>	<b>Enforcement .....</b>	<b>54-151</b>
10.32	Outdoor Open Flame Decorative Appliances .....	54- 83	<b>Annex M</b>	<b>Informational References .....</b>	<b>54-152</b>
<b>Chapter 11</b>	<b>Procedures to Be Followed to Place Appliance in Operation .....</b>	<b>54- 83</b>	<b>Index .....</b>	<b>54-154</b>	
11.1	Adjusting the Burner Input .....	54- 83			
11.2	Primary Air Adjustment .....	54- 83			
11.3	Safety Shutoff Devices .....	54- 83			
11.4	Automatic Ignition .....	54- 83			
11.5	Protective Devices .....	54- 83			
11.6	Checking the Draft .....	54- 83			
11.7	Operating Instructions .....	54- 83			
<b>Chapter 12</b>	<b>Venting of Appliances .....</b>	<b>54- 84</b>			
12.1	Minimum Safe Performance .....	54- 84			
12.2	General .....	54- 84			
12.3	Specification for Venting .....	54- 84			
12.4	Design and Construction .....	54- 84			
12.5	Type of Venting System to Be Used .....	54- 85			
12.6	Masonry, Metal, and Factory-Built Chimneys .....	54- 85			
12.7	Gas Vents .....	54- 87			
12.8	Single-Wall Metal Pipe .....	54- 89			
12.9	Through-the-Wall Vent Termination .....	54- 89			
12.10	Condensation Drain .....	54- 90			
12.11	Vent Connectors for Category I Appliances .....	54- 90			

## NFPA 54-2009

## ANSI Z223.1-2009

## National Fuel Gas Code

## 2009 Edition

**IMPORTANT NOTE:** This NFPA document is made available for use subject to important notices and legal disclaimers. These notices and disclaimers appear in all publications containing this document and may be found under the heading "Important Notices and Disclaimers Concerning NFPA Documents." They can also be obtained on request from NFPA or viewed at [www.nfpa.org/disclaimers](http://www.nfpa.org/disclaimers).

NOTICE: An asterisk (\*) following the number or letter designating a paragraph indicates that explanatory material on the paragraph can be found in Annex A.

Changes other than editorial are indicated by a vertical rule beside the paragraph, table, or figure in which the change occurred. These rules are included as an aid to the user in identifying changes from the previous edition. Where one or more complete paragraphs have been deleted, the deletion is indicated by a bullet (•) between the paragraphs that remain.

A reference in brackets [ ] following a section or paragraph indicates material that has been extracted from another NFPA document. As an aid to the user, the complete title and edition of the source documents for extracts in mandatory sections of the document are given in Chapter 2 and those for extracts in informational sections are given in Annex M. Extracted text may be edited for consistency and style and may include the revision of internal paragraph references and other references as appropriate. Requests for interpretations or revisions of extracted text shall be sent to the technical committee responsible for the source document.

Information on referenced publications can be found in Chapter 2 and Annex M.

All pressures used in this code are gauge pressure unless otherwise indicated.

## Chapter 1 Administration

## 1.1 Scope.

## 1.1.1 Applicability.

1.1.1.1 This code is a safety code that shall apply to the installation of fuel gas piping systems, appliances, equipment, and related accessories as shown in 1.1.1.1(A) through 1.1.1.1(D).

(A) Coverage of piping systems shall extend from the point of delivery to the appliance connections. For other than undiluted liquefied petroleum gas (LP-Gas) systems, the point of delivery shall be considered to be the outlet of the service meter assembly or the outlet of the service regulator or service shutoff valve where no meter is provided. For undiluted LP-Gas, the point of delivery shall be considered to be the outlet of the final pressure regulator, exclusive of line gas regulators, in the system.

(B) The maximum operating pressure shall be 125 psi (862 kPa).

*Exception No. 1: Piping systems for gas-air mixtures within the flammable range are limited to a maximum pressure of 10 psi (69 kPa).*

*Exception No. 2: LP-Gas piping systems are limited to 20 psi (140 kPa), except as provided in 5.5.1(6).*

(C) Requirements for piping systems shall include design, materials, components, fabrication, assembly, installation, testing, inspection, operation, and maintenance.

(D) Requirements for appliances, equipment, and related accessories shall include installation, combustion, and ventilation air and venting.

1.1.1.2 This code shall not apply to the following items (reference standards for some of which appear in Annex M):

- (1) Portable LP-Gas appliances and equipment of all types that are not connected to a fixed fuel piping system
- (2) Installation of farm appliances and equipment such as brooders, dehydrators, dryers, and irrigation equipment
- (3) Raw material (feedstock) applications except for piping to special atmosphere generators
- (4) Oxygen-fuel gas cutting and welding systems
- (5) Industrial gas applications using such gases as acetylene and acetylenic compounds, hydrogen, ammonia, carbon monoxide, oxygen, and nitrogen
- (6) Petroleum refineries, pipeline compressor or pumping stations, loading terminals, compounding plants, refinery tank farms, and natural gas processing plants
- (7) Large integrated chemical plants or portions of such plants where flammable or combustible liquids or gases are produced by chemical reactions or used in chemical reactions
- (8) LP-Gas installations at utility gas plants
- (9) Liquefied natural gas (LNG) installations
- (10) Fuel gas piping in electric utility power plants
- (11) Proprietary items of equipment, apparatus, or instruments such as gas generating sets, compressors, and calorimeters
- (12) LP-Gas equipment for vaporization, gas mixing, and gas manufacturing
- (13) LP-Gas piping for buildings under construction or renovations that is not to become part of the permanent building piping system — that is, temporary fixed piping for building heat
- (14) Installation of LP-Gas systems for railroad switch heating
- (15) Installation of LP-Gas and compressed natural gas (CNG) systems on vehicles
- (16) Gas piping, meters, gas pressure regulators, and other appurtenances used by the serving gas supplier in distribution of gas, other than undiluted LP-Gas
- (17) Building design and construction, except as specified herein
- (18) Fuel gas systems on recreational vehicles manufactured in accordance with NFPA 1192, *Standard on Recreational Vehicles*
- (19) Fuel gas systems using hydrogen as a fuel
- (20) Construction of appliances

1.1.2 **Other Standards.** In applying this code, reference shall also be made to the manufacturers' instructions and the serving gas supplier regulations.

## 1.2 Purpose. (Reserved)

1.3 **Retroactivity.** Unless otherwise stated, the provisions of this code shall not be applied retroactively to existing systems that were in compliance with the provisions of the code in effect at the time of installation.

**1.4 Equivalency.** The provisions of this code are not intended to prevent the use of any material, method of construction, or installation procedure not specifically prescribed by this code, provided any such alternative is acceptable to the authority having jurisdiction (see 3.2.2). The authority having jurisdiction shall require that sufficient evidence be submitted to substantiate any claims made regarding the safety of such alternatives.

**1.5 Enforcement.** This code shall be administered and enforced by the authority having jurisdiction designated by the governing authority. (See Annex L for sample wording for enabling legislation.)

## Chapter 2 Referenced Publications

**2.1 General.** The documents or portions thereof listed in this chapter are referenced within this code and shall be considered part of the requirements of this document.

**2.2 NFPA Publications.** National Fire Protection Association, 1 Batterymarch Park, Quincy, MA 02169-7471.

NFPA 30A, *Code for Motor Fuel Dispensing Facilities and Repair Garages*, 2008 edition.

NFPA 37, *Standard for the Installation and Use of Stationary Combustion Engines and Gas Turbines*, 2006 edition.

NFPA 51, *Standard for the Design and Installation of Oxygen-Fuel Gas Systems for Welding, Cutting, and Allied Processes*, 2007 edition.

NFPA 52, *Vehicular Fuel Systems Code*, 2006 edition.

NFPA 58, *Liquefied Petroleum Gas Code*, 2008 edition.

NFPA 70<sup>®</sup>, *National Electrical Code*<sup>®</sup>, 2008 edition.

NFPA 82, *Standard on Incinerators and Waste and Linen Handling Systems and Equipment*, 2004 edition.

NFPA 88A, *Standard for Parking Structures*, 2007 edition.

NFPA 90A, *Standard for the Installation of Air-Conditioning and Ventilating Systems*, 2009 edition.

NFPA 90B, *Standard for the Installation of Warm Air Heating and Air-Conditioning Systems*, 2009 edition.

NFPA 96, *Standard for Ventilation Control and Fire Protection of Commercial Cooking Operations*, 2008 edition.

NFPA 211, *Standard for Chimneys, Fireplaces, Vents, and Solid Fuel-Burning Appliances*, 2006 edition.

NFPA 409, *Standard on Aircraft Hangars*, 2004 edition.

NFPA 780, *Standard for the Installation of Lightning Protection Systems*, 2008 edition.

NFPA 853, *Standard for the Installation of Stationary Fuel Cell Power Systems*, 2007 edition.

NFPA 1192, *Standard on Recreational Vehicles*, 2008 edition.

### 2.3 Other Publications.

**2.3.1 ASME Publications.** American Society of Mechanical Engineers, Three Park Avenue, New York, NY 10016-5990, (800)843-2763, www.asme.org.

ANSI/ASME B1.20.1, *Pipe Threads, General Purpose, Inch*, 1983 (Reaffirmed 2001).

ANSI/ASME B16.1, *Cast Iron Pipe Flanges and Flanged Fittings, Class 25, 125, 250, and 800*, 1998.

ANSI/ASME B16.20, *Metal Gaskets for Pipe Flanges, Ring Joint Spiral Wound and Jacketed*, 2000.

ANSI/ASME B36.10M, *Welded and Seamless Wrought Steel Pipe*, 2001.

**2.3.2 ASTM Publications.** ASTM International, 100 Barr Harbor Drive, P.O. Box C700, West Conshohocken, PA 19428-2959, (610)832-9585, www.astm.org.

ASTM A 53, *Standard Specification for Pipe, Steel, Black and Hot-Dipped, Zinc-Coated Welded and Seamless*, 2001.

ASTM A 106, *Standard Specification for Seamless Carbon Steel Pipe for High-Temperature Service*, 1999.

ASTM A 254, *Standard Specification for Copper Brazed Steel Tubing*, 2002.

ASTM B 88, *Specification for Seamless Copper Water Tube*, 1999.

ASTM B 210, *Specification for Aluminum-Alloy Drawn Seamless Tubes*, 2000.

ASTM B 241, *Specification for Aluminum-Alloy Seamless Pipe and Seamless Extruded Tube*, 2000.

ASTM B 280, *Specification for Seamless Copper Tube for Air Conditioning and Refrigeration Field Service*, 1999.

ASTM D 2513, *Standard Specification for Thermoplastic Gas Pressure Pipe, Tubing, and Fittings*, 2001.

ASTM E 136, *Standard Test Method for Behavior of Materials in a Vertical Tube Furnace at 750 Degrees C*, 2004.

ASTM F 1973, *Standard Specification for Factory Assembled Anodeless Risers and Transition Fittings in Polyethylene (PE) and Polyamide 11 (PA11) Fuel Gas Distribution Systems*, 2002.

ASTM F 2509, *Standard Specification for Field-Assembled Anodeless Riser Kits for Use on Outside Diameter Controlled Polyethylene Gas Distribution Pipe and Tubing*, 2006.

**2.3.3 CSA America Publications.** Canadian Standards Association, 8501 East Pleasant Valley Road, Cleveland, OH 44131-5575, (216)524-4990, www.csa-america.org.

ANSI Z21.8, *Installation of Domestic Gas Conversion Burners*, 2000.

ANSI Z21.11.2, *Gas-Fired Room Heaters-Volume II, Unvented Room Heaters*, 2007.

ANSI Z21.24/CSA 6.10, *Standard for Connectors for Gas Appliances*, 2006.

ANSI Z21.41/CSA 6.9, *Quick-Disconnect Devices for Use with Gas Fuel Appliances*, 2003.

ANSI Z21.69/CSA 6.22, *Connectors for Movable Gas Appliances*, 2002.

ANSI Z21.75/CSA 6.27, *Connectors for Outdoor Gas Appliances and Manufactured Homes*, 2007.

ANSI Z21.80/CSA 3.7, *Line Pressure Regulators*, 2003.

ANSI Z21.90, *Gas Convenience Outlets and Optional Enclosures*, 2001.

ANSI Z83.4/CSA 3.7, *Non-Recirculating Direct Gas-Fired Industrial Air Heaters*, 1999.

ANSI Z83.18, *Recirculating Direct Gas-Fired Industrial Air Heaters*, 1990 (2000).

ANSI LC 1/CSA 6.26, *Fuel Gas Piping Systems Using Corrugated Stainless Steel Tubing*, 2008.

ANSI LC-4, *Press-Connect Copper and Copper Alloy Fittings for Use in Fuel Gas Distribution Systems*, 2007.



**2.3.4 MSS Publications.** Manufacturers Standardization Society of the Valve and Fittings Industry, 127 Park Street, NE, Vienna, VA 22180-6671, (703)281-6613, www.mss-hq.com.

MSS SP-6, *Standard Finishes for Contact Faces of Pipe Flanges and Connecting-End Flanges of Valves and Fittings*, 2001.

ANSI/MSS SP-58, *Pipe Hangers and Supports — Materials, Design and Manufacture*, 1993.

**2.3.5 UL Publications.** Underwriters Laboratories Inc., 333 Pfingsten Road, Northbrook, IL 60062-2096, www.ul.com.

ANSI/UL 651, *Schedule 40 and 80 Rigid PVC Conduit and Fittings*, 2005, Revised 2007.

**2.3.6 U.S. Government Publications.** U.S. Government Printing Office, Washington, DC 20402, www.access.gpo.gov.

Title 49, Code of Federal Regulations, Part 192.

**2.3.7 Other Publications.**

*Merriam-Webster's Collegiate Dictionary*, 11th edition, Merriam-Webster, Inc., Springfield, MA, 2003.

**2.4 References for Extracts in Mandatory Sections.**

NFPA 70<sup>®</sup>, *National Electrical Code*<sup>®</sup>, 2008 edition.

NFPA 211, *Standard for Chimneys, Fireplaces, Vents, and Solid Fuel-Burning Appliances*, 2006 edition.

NFPA 501, *Standard on Manufactured Housing*, 2005 edition.

NFPA 5000<sup>®</sup>, *Building Construction and Safety Code*<sup>®</sup>, 2009 edition.

## Chapter 3 Definitions

**3.1 General.** The definitions contained in this chapter shall apply to the terms used in this code. Where terms are not defined in this chapter or within another chapter, they shall be defined using their ordinarily accepted meanings within the context in which they are used. *Merriam-Webster's Collegiate Dictionary*, 11th edition, shall be the source for the ordinarily accepted meaning.

**3.2 NFPA Official Definitions.**

**3.2.1\* Approved.** Acceptable to the authority having jurisdiction.

**3.2.2\* Authority Having Jurisdiction (AHJ).** An organization, office, or individual responsible for enforcing the requirements of a code or standard, or for approving equipment, materials, an installation, or a procedure.

**3.2.3 Labeled.** Equipment or materials to which has been attached a label, symbol, or other identifying mark of an organization that is acceptable to the authority having jurisdiction and concerned with product evaluation, that maintains periodic inspection of production of labeled equipment or materials, and by whose labeling the manufacturer indicates compliance with appropriate standards or performance in a specified manner.

**3.2.4\* Listed.** Equipment, materials, or services included in a list published by an organization that is acceptable to the authority having jurisdiction and concerned with evaluation of products or services, that maintains periodic inspection of production of listed equipment or materials or periodic evaluation of services, and whose listing states that either the equipment, material, or service meets appropriate designated standards or has been tested and found suitable for a specified purpose.

**3.2.5 Shall.** Indicates a mandatory requirement.

**3.3 General Definitions.**

**3.3.1 Accessible.** Having access to but which first requires the removal of a panel, door, or similar covering of the item described.

**3.3.1.1 Readily Accessible.** Having direct access without the need of removing or moving any panel, door, or similar covering of the item described.

**3.3.2 Air.**

**3.3.2.1 Circulating Air.** Air for cooling, heating, or ventilation distributed to habitable spaces.

**3.3.2.2 Dilution Air.** Air that enters a draft hood or draft regulator and mixes with the flue gases.

**3.3.2.3 Excess Air.** Air that passes through the combustion chamber and the appliance flues in excess of that which is theoretically required for complete combustion.

**3.3.2.4 Primary Air.** The air introduced into a burner that mixes with the gas before it reaches the port or ports.

**3.3.3 Air Conditioning.** The treatment of air so as to control simultaneously its temperature, humidity, cleanness, and distribution to meet the requirements of a conditioned space.

**3.3.4 Air Shutter.** An adjustable device for varying the size of the primary air inlet(s).

**3.3.5 Anodeless Riser.** An assembly of steel-cased plastic pipe used to make the transition between plastic piping installed underground and metallic piping installed aboveground.

**3.3.6 Appliance.** Any device that utilizes gas as a fuel or raw material to produce light, heat, power, refrigeration, or air conditioning.

**3.3.6.1 Automatically Controlled Appliance.** Appliance equipped with an automatic burner ignition and safety shutoff device and other automatic devices.

**3.3.6.2 Decorative Appliance for Installation in a Vented Fireplace.** A self-contained, freestanding, fuel gas burning appliance designed for installation only in a vented fireplace and whose primary function lies in the aesthetic effect of the flame.

**3.3.6.3 Direct Vent Appliances.** Appliances that are constructed and installed so that all air for combustion is derived directly from the outdoors and all flue gases are discharged to the outdoors.

**3.3.6.4 Fan-Assisted Combustion Appliance.** An appliance equipped with an integral mechanical means to either draw or force products of combustion through the combustion chamber or heat exchanger.

**3.3.6.5 Food Service Appliance.**

**3.3.6.5.1 Baking and Roasting Gas Oven.** An oven primarily intended for volume food preparation that may be composed of one or more sections or units of the following types: (1) cabinet oven, an oven having one or more cavities heated by a single burner or group of burners; (2) reel-type oven, an oven employing trays that are moved by mechanical means; or (3) sectional oven, an oven composed of one or more independently heated cavities.



**3.3.6.5.2 Gas Counter Appliance.** An appliance such as a gas coffee brewer and coffee urn and any appurtenant water heating appliance, food and dish warmer, hot plate, and griddle.

**3.3.6.5.3 Gas Deep Fat Fryer.** An appliance, including a cooking vessel in which oils or fats are placed to such a depth that the cooking food is essentially supported by displacement of the cooking fluid or a perforated container immersed in the cooking fluid rather than by the bottom of the vessel, designed primarily for use in hotels, restaurants, clubs, and similar institutions.

**3.3.6.5.4 Gas Range.** A self-contained gas range providing for cooking, roasting, baking, or broiling, or any combination of these functions, and not designed specifically for domestic use.

**3.3.6.5.5 Gas Steam Cooker.** An appliance that cooks, defrosts, or reconstitutes food by direct contact with steam.

**3.3.6.5.6 Gas Steam Generator.** A separate appliance primarily intended to supply steam for use with food service appliances.

**3.3.6.5.7 Kettle.** An appliance with a cooking chamber that is heated either by a steam jacket in which steam is generated by gas heat or by direct gas heat applied to the cooking chamber.

**3.3.6.6 Gas Counter Appliances.** See 3.3.6.5.2.

**3.3.6.7 Household Cooking Appliance.** An appliance for domestic food preparation, providing at least one function of (1) top or surface cooking, (2) oven cooking, or (3) broiling.

**3.3.6.7.1 Household Broiler Cooking Appliance.** A unit that cooks primarily by radiated heat.

**3.3.6.7.2 Household Built-In Unit Cooking Appliance.** A unit designed to be recessed into, placed upon, or attached to the construction of a building, but not for installation on the floor.

**3.3.6.8 Nonresidential, Low-Heat Appliance.** A commercial, industrial, or institutional appliance needing a chimney capable of withstanding a continuous flue gas temperature not exceeding 1000°F (538°C). [211, 2006]

**3.3.6.9 Nonresidential, Medium-Heat Appliance.** A commercial, industrial, or institutional appliance needing a chimney capable of withstanding a continuous flue gas temperature not exceeding 1800°F (982°C). [211, 2006]

**3.3.6.10 Outdoor Cooking Appliance.** A gas-fired cooking appliance for outdoor use only that is provided with a means of support by the manufacturer and is connected to a fixed gas piping system.

**3.3.6.11 Vented Appliance.**

**3.3.6.11.1\* Category I Vented Appliance.** An appliance that operates with a nonpositive vent static pressure and with a vent gas temperature that avoids excessive condensate production in the vent.

**3.3.6.11.2 Category II Vented Appliance.** An appliance that operates with a nonpositive vent static pressure and with a vent gas temperature that may cause excessive condensate production in the vent.

**3.3.6.11.3 Category III Vented Appliance.** An appliance that operates with a positive vent static pressure and with a vent gas temperature that avoids excessive condensate production in the vent.

**3.3.6.11.4 Category IV Vented Appliance.** An appliance that operates with a positive vent static pressure and with a vent gas temperature that may cause excessive condensate production in the vent.

**3.3.7 Appliance Categorized Vent Diameter/Area.** The minimum vent diameter/area permissible for Category I appliances to maintain a nonpositive vent static pressure when tested in accordance with nationally recognized standards.

**3.3.8 Automatic Firecheck.** A device for stopping the progress of a flame front in burner mixture lines (flashback) and for automatically shutting off the fuel-air mixture.

**3.3.9 Backfire Preventer.** See 3.3.91, Safety Blowout.

**3.3.10 Baffle.** An object placed in an appliance to change the direction of or retard the flow of air, air-gas mixtures, or flue gases.

**3.3.11 Boiler.**

**3.3.11.1 Hot Water Heating Boiler.** A boiler designed to heat water for circulation through an external space heating system.

**3.3.11.2 Hot Water Supply Boiler.** A boiler used to heat water for purposes other than space heating.

**3.3.11.3 Low-Pressure Boiler.** A boiler that supplies steam at a pressure not exceeding 15 psi (100 kPa), or hot water at a pressure not exceeding 160 psi (1100 kPa) at a temperature not exceeding 250°F (121°C).

**3.3.11.4 Steam Boiler.** A boiler designed to convert water into steam that is supplied to an external system.

**3.3.12 Bonding Jumper.** A reliable conductor to ensure the required electrical conductivity between metal parts required to be electrically connected. [70, 2008]

**3.3.13 Branch Line.** Gas piping that conveys gas from a supply line to the appliance.

**3.3.14 Breeching.** See 3.3.108, Vent Connector.

**3.3.15 Broiler.** A general term including broilers, salamanders, barbecues, and other devices cooking primarily by radiated heat, excepting toasters.

**3.3.15.1 Unit Broiler.** A broiler constructed as a separate appliance.

**3.3.16 Btu.** Abbreviation for British thermal unit, which is the quantity of heat required to raise the temperature of 1 pound of water 1 degree Fahrenheit (equivalent to 1055 joules).

**3.3.17 Burner.** A device for the final conveyance of gas, or a mixture of gas and air, to the combustion zone.

**3.3.17.1 Forced-Draft Burner.** See 3.3.17.5, Power Burner.

**3.3.17.2 Gas Conversion Burner.** A unit consisting of a burner and its controls utilizing gaseous fuel for installation in an appliance originally utilizing another fuel.

**3.3.17.3 Injection (Bunsen) Type Burner.** A burner employing the energy of a jet of gas to inject air for combustion into the burner and mix it with the gas.

- 3.3.17.4 Main Burner.** A device or group of devices essentially forming an integral unit for the final conveyance of gas or a mixture of gas and air to the combustion zone and on which combustion takes place to accomplish the function for which the appliance is designed.
- 3.3.17.5 Power Burner.** A burner in which either gas or air, or both, are supplied at a pressure exceeding, for gas, the line pressure, and for air, atmospheric pressure; this added pressure being applied at the burner. A burner for which air for combustion is supplied by a fan ahead of the appliance is commonly designated as a forced-draft burner.
- 3.3.17.5.1 Fan-Assisted Power Burner.** A burner that uses either induced or forced draft.
- 3.3.18 Chimney.** One or more passageways, vertical or nearly so, for conveying flue or vent gases to the outdoors. (See also 3.3.107.2, *Gas Vent*; 3.3.107, *Vent*; and 3.3.100.7, *Venting System*.)
- 3.3.18.1 Exterior Masonry Chimneys.** Masonry chimneys exposed to the outdoors on one or more sides below the roof line.
- 3.3.18.2 Factory-Built Chimney.** A chimney composed of listed factory-built components assembled in accordance with the manufacturer's installation instructions to form the completed chimney.
- 3.3.18.3 Masonry Chimney.** A field-constructed chimney of solid masonry units, bricks, stones, listed masonry chimney units, or reinforced Portland cement concrete, lined with suitable chimney flue liners.
- 3.3.18.4 Metal Chimney.** A field-constructed chimney of metal.
- 3.3.19 Clothes Dryer.** An appliance used to dry wet laundry by means of heat derived from the combustion of fuel gases.
- 3.3.19.1 Type 1 Clothes Dryer.** Primarily used in family living environment. May or may not be coin-operated for public use.
- 3.3.19.2 Type 2 Clothes Dryer.** Used in business with direct intercourse of the function with the public. May or may not be operated by public or hired attendant. May or may not be coin-operated.
- 3.3.20 Combustion.** As used herein, the rapid oxidation of fuel gases accompanied by the production of heat or heat and light. Complete combustion of a fuel is possible only in the presence of an adequate supply of oxygen.
- 3.3.21 Combustion Chamber.** The portion of an appliance within which combustion occurs.
- 3.3.22 Combustion Products.** Constituents resulting from the combustion of a fuel with the oxygen of the air, including the inert but excluding excess air.
- 3.3.23 Condensate (Condensation).** The liquid that separates from a gas (including flue gas) due to a reduction in temperature or an increase in pressure.
- 3.3.24 Consumption.** The maximum amount of gas per unit of time, usually expressed in cubic feet per hour, or Btu per hour, required for the operation of the appliance or appliances supplied.
- 3.3.25 Controls.** Devices designed to regulate the gas, air, water, or electrical supply to an appliance. These may be manual or automatic.
- 3.3.25.1 Limit Control.** A device responsive to changes in pressure, temperature, or liquid level for turning on, shutting off, or throttling the gas supply to an appliance.
- 3.3.26 Cubic Foot (ft<sup>3</sup>) of Gas.** The amount of gas that would occupy 1 ft<sup>3</sup> (0.03 m<sup>3</sup>) when at a temperature of 60°F (16°C), saturated with water vapor and under a pressure equivalent to that of 30 in. w.c. (7.5 kPa).
- 3.3.27 Deep Fat Fryer.** See 3.3.6.5.3, Gas Deep Fat Fryer.
- 3.3.28 Design Certification.** The process by which a product is evaluated and tested by an independent laboratory to affirm that the product design complies with specific requirements.
- 3.3.29 Device.**
- 3.3.29.1 Automatic Gas Shutoff Device.** A device constructed so that the attainment of a water temperature in a hot water supply system in excess of some predetermined limit acts in such a way as to cause the gas to the system to be shut off.
- 3.3.29.2 Pressure Limiting Device.** Equipment that under abnormal conditions will act to reduce, restrict, or shut off the supply of gas flowing into a system in order to prevent the gas pressure in that system from exceeding a predetermined value.
- 3.3.29.3 Quick-Disconnect Device.** A hand-operated device that provides a means for connecting and disconnecting an appliance or an appliance connector to a gas supply and that is equipped with an automatic means to shut off the gas supply when the device is disconnected.
- 3.3.29.4 Safety Shutoff Device.** A device that will shut off the gas supply to the controlled burner(s) in the event the source of ignition fails. This device can interrupt the flow of gas to main burner(s) only or to pilot(s) and main burner(s) under its supervision.
- 3.3.29.5 Vent Damper Device.**
- 3.3.29.5.1 Automatic Vent Damper Device.** A device that is intended for installation in the venting system, in the outlet of or downstream of the appliance draft hood, of an individual automatically operated appliance and that is designed to automatically open the venting system when the appliance is in operation and to automatically close off the venting system when the appliance is in a standby or shutdown condition.
- 3.3.29.5.2 Electrically Operated, Automatic Vent Damper Device.** An automatic vent damper device that employs electrical energy to control the device.
- 3.3.29.5.3 Mechanically Actuated, Automatic Vent Damper Device.** An automatic vent damper device dependent for operation on the direct application or transmission of mechanical energy without employing any type of energy conversion.
- 3.3.29.5.4 Thermally Actuated, Automatic Vent Damper Device.** An automatic vent damper device dependent for operation exclusively on the direct conversion of the thermal energy of the vent gases into mechanical energy.
- 3.3.30 Diversity Factor.** Ratio of the maximum probable demand to the maximum possible demand.
- 3.3.31 Domestic Laundry Stove.** A fuel gas burning appliance consisting of one or more open-top-type burners mounted on high legs or having a cabinet base.

**3.3.32 Draft.** A pressure difference that causes gases or air to flow through a chimney, vent, flue, or appliance.

**3.3.32.1 Mechanical Draft.** Draft produced by a fan or an air or steam jet. When a fan is located so as to push the flue gases through the chimney or vent, the draft is forced. When the fan is located so as to pull the flue gases through the chimney or vent, the draft is induced. [211, 2006]

**3.3.32.2 Natural Draft.** Draft produced by the difference in the weight of a column of flue gases within a chimney or vent and a corresponding column of air of equal dimension outside the chimney or vent. [211, 2006]

**3.3.33 Draft Hood.** A nonadjustable device built into an appliance, or made a part of the vent connector from an appliance, that is designed to (1) provide for the ready escape of the flue gases from the appliance in the event of no draft, backdraft, or stoppage beyond the draft hood, (2) prevent a backdraft from entering the appliance, and (3) neutralize the effect of stack action of the chimney or gas vent upon the operation of the appliance.

**3.3.34 Drip.** The container placed at a low point in a system of piping to collect condensate and from which it may be removed.

**3.3.35 Dry Gas.** A gas having a moisture and hydrocarbon dew point below any normal temperature to which the gas piping is exposed.

**3.3.36 Effective Ground-Fault Current Path.** An intentionally constructed, permanent, low impedance electrically conductive path designed and intended to carry electric fault current from the point of a ground fault on a wiring system to the electrical supply source.

**3.3.37 Equipment.** Devices other than appliances.

**3.3.38 Explosion Heads (Soft Heads or Rupture Discs).** A protective device for relieving excessive pressure in a premix system by bursting of a rupturable disc.

**3.3.39 FAN Max.** The maximum input rating of a Category I, fan-assisted appliance attached to a vent or connector.

**3.3.40 FAN Min.** The minimum input rating of a Category I, fan-assisted appliance attached to a vent or connector.

**3.3.41 FAN+FAN.** The maximum combined appliance input rating of two or more Category I, fan-assisted appliances attached to the common vent.

**3.3.42 FAN+NAT.** The maximum combined appliance input rating of one or more Category I, fan-assisted appliances and one or more Category I, draft hood-equipped appliances attached to the common vent.

**3.3.43 Fireplace.** A fire chamber and hearth constructed of noncombustible material for use with solid fuels and provided with a chimney.

**3.3.43.1 Gas Fireplace.**

**3.3.43.1.1 Direct Vent Gas Fireplace.** A system consisting of (1) an appliance for indoor installation that allows the view of flames and provides the simulation of a solid fuel fireplace, (2) combustion air connections between the appliance and the vent air intake terminal, (3) flue-gas connections between the appliance and the vent-air intake terminal, and (4) a vent air intake terminal for installation outdoors, constructed such that all air for combustion is

obtained from the outdoor atmosphere and all flue gases are discharged to the outdoor atmosphere.

**3.3.43.1.2 Vented Gas Fireplace.** A vented appliance that allows the view of flames and provides the simulation of a solid fuel fireplace.

**3.3.44 Flame Arrester.** A nonvalve device for use in a gas-air mixture line containing a means for temporarily stopping the progress of a flame front (flashback).

**3.3.45 Flue.**

**3.3.45.1 Appliance Flue.** The passage(s) within an appliance through which combustion products pass from the combustion chamber of the appliance to the draft hood inlet opening on an appliance equipped with a draft hood or to the outlet of the appliance on an appliance not equipped with a draft hood.

**3.3.45.2 Chimney Flue.** The passage(s) in a chimney for conveying the flue or vent gases to the outdoors.

**3.3.46 Flue Collar.** That portion of an appliance designed for the attachment of a draft hood, vent connector, or venting system.

**3.3.47 Furnace.**

**3.3.47.1 Central Furnace.** A self-contained appliance for heating air by transfer of heat of combustion through metal to the air and designed to supply heated air through ducts to spaces remote from or adjacent to the appliance location.

**3.3.47.2 Direct Vent Wall Furnace.** A system consisting of an appliance, combustion air, and flue gas connections between the appliance and the outdoor atmosphere, and a vent cap supplied by the manufacturer and constructed so that all air for combustion is obtained from the outdoor atmosphere and all flue gases are discharged to the outdoor atmosphere.

**3.3.47.3 Duct Furnace.** A furnace normally installed in distribution ducts of air conditioning systems to supply warm air for heating. This definition applies only to an appliance that depends for air circulation on a blower not furnished as part of the furnace.

**3.3.47.4 Enclosed Furnace.** A specific heating, or heating and ventilating, furnace incorporating an integral total enclosure and using only outdoor air for combustion.

**3.3.47.5 Floor Furnace.** A completely self-contained unit furnace suspended from the floor of the space being heated, taking air for combustion from outside this space.

**3.3.47.6 Forced-Air Furnace.** A furnace equipped with a fan or blower that provides the primary means for circulation of air.

**3.3.47.7 Vented Wall Furnace.** A self-contained, vented, fuel gas burning appliance complete with grilles or equivalent, designed for incorporation in or permanent attachment to the structure of a building and furnishing heated air, circulated by gravity or by a fan, directly into the space to be heated through openings in the casing.

**3.3.48 Furnace Plenum.** A compartment or chamber that is supplied with the furnace or constructed of ductwork that is attached to the inlet or outlet of a furnace or air handling unit and has one or more circulating air ducts connected to it.



**3.3.49 Garage.**

**3.3.49.1 Repair Garage.** A building, structure, or portions thereof wherein major repair, painting, or body and fender work is performed on motorized vehicles or automobiles, and includes associated floor space used for offices, parking, and showrooms.

**3.3.49.2 Residential Garage.** A building or room in which self-propelled passenger vehicles are or can be stored and that will not normally be used for other than minor service or repair operations on such stored vehicles.

**3.3.50 Gas Convenience Outlet.** A permanently mounted, hand-operated device providing a means for connecting and disconnecting an appliance or an appliance connector to the gas supply piping. The device includes an integral, manually operated gas valve with a nondisplaceable valve member so that disconnection can be accomplished only when the manually operated gas valve is in the closed position.

**3.3.51 Gases.** Include natural gas, manufactured gas, liquefied petroleum (LP) gas in the vapor phase only, liquefied petroleum gas-air mixtures, and mixtures of these gases, plus gas-air mixtures within the flammable range, with the fuel gas or the flammable component of a mixture being a commercially distributed product.

**3.3.51.1 Flue Gases.** Products of combustion plus excess air in appliance flues or heat exchangers.

**3.3.51.2 Utility Gases.** Natural gas, manufactured gas, liquefied petroleum gas-air mixtures, or mixtures of any of these gases.

**3.3.51.3 Vent Gases.** Products of combustion from appliances plus excess air, plus dilution air in the venting system above the draft hood or draft regulator.

**3.3.52 Gas-Fired Air Conditioner.** An automatically operated appliance for supplying cooled and/or dehumidified air or chilled liquid.

**3.3.53 Gas-Fired Heat Pump.** An automatically operated appliance utilizing a refrigeration system for supplying either heated air or liquid or heated and/or cooled air or liquid.

**3.3.54 Gas-Mixing Machine.** Any combination of automatic proportioning control devices, blowers, or compressors that supply mixtures of gas and air to multiple burner installations where control devices or other accessories are installed between the mixing device and burner.

**3.3.55 Gravity.** See 3.3.96, Specific Gravity.

**3.3.56 Grounding Electrode.** A conducting object through which a direct connection to earth is established. [70, 2008]

**3.3.57 Heater.**

**3.3.57.1 Direct Gas-Fired Nonrecirculating Industrial Air Heater.** A nonrecirculating industrial air heater in which all the products of combustion generated by the appliance are released into the outdoor airstream being heated.

**3.3.57.2 Direct Gas-Fired Recirculating Industrial Air Heater.** An air recirculating heater in which all of the products of combustion generated by the appliance are released into the airstream being heated.

**3.3.57.3 Infrared Heater.** A heater that directs a substantial amount of its energy output in the form of infrared energy

into the area to be heated. Such heaters may be of either the vented or unvented type.

**3.3.57.4 Pool Heater.** An appliance designed for heating nonpotable water stored at atmospheric pressure, such as water in swimming pools, therapeutic pools, and similar applications.

**3.3.57.5 Unit Heater.**

**3.3.57.5.1 High-Static Pressure-Type Unit Heater.** A self-contained, automatically controlled, vented appliance having integral means for circulation of air against 0.2 in. (15 mm) H<sub>2</sub>O or greater static pressure.

**3.3.57.5.2 Low-Static Pressure-Type Unit Heater.** A self-contained, automatically controlled, vented, fuel gas burning appliance, intended for installation in the space to be heated without the use of ducts, having integral means for circulation of air, normally by a propeller fan(s), and may be equipped with louvers or face extensions made in accordance with the manufacturer's specifications.

**3.3.57.6 Unvented Room Heater.** An unvented, self-contained, freestanding, nonrecessed, fuel gas burning appliance for furnishing warm air by gravity or fan circulation to the space in which installed, directly from the heater without duct connection.

**3.3.57.7 Water Heater.** An appliance for supplying hot water for domestic or commercial purposes.

**3.3.58 Heating Value (Total).** The number of British thermal units produced by the combustion, at constant pressure, of 1 ft<sup>3</sup> (0.03 m<sup>3</sup>) of gas when the products of combustion are cooled to the initial temperature of the gas and air, when the water vapor formed during combustion is condensed, and when all the necessary corrections have been applied.

**3.3.59 Hot Plate.** See 3.3.6.5.2, Gas Counter Appliance.

**3.3.59.1 Domestic Hot Plate.** A fuel-gas burning appliance consisting of one or more open-top-type burners mounted on short legs or a base.

**3.3.60 Hot Taps.** Piping connections made to operating pipelines or mains or other facilities while they are in operation. The connection of the branch piping to the operating line and the tapping of the operating line are done while it is under gas pressure.

**3.3.61 Ignition.**

**3.3.61.1 Automatic Ignition.** Ignition of gas at the burner(s) when the gas controlling device is turned on, including re-ignition if the flames on the burner(s) have been extinguished by means other than by the closing of the gas controlling device.

**3.3.61.2 Sources of Ignition.** Appliances or equipment that, because of their intended modes of use or operation, are capable of providing sufficient thermal energy to ignite flammable gas-air mixtures.

**3.3.62 Insulating Millboard.** A factory fabricated board formed with noncombustible materials, normally fibers, and having a thermal conductivity in the range of 1 Btu/in./ft<sup>2</sup>/°F/hr (0.14 W/m/°K).

**3.3.63 Kettle.** See 3.3.6.5.7.

**3.3.64 Leak Check.** An operation performed on a gas piping system to verify that the system does not leak.



### 3.3.65 Manifold.

**3.3.65.1 Common Vent Manifold.** A horizontal extension of the common vent within the room in which the appliances are installed.

**3.3.65.2 Gas Manifold.** The conduit of an appliance that supplies gas to the individual burners.

**3.3.66 Manufactured Home.** A structure, transportable in one or more sections, which, in the traveling mode, is 8 body-ft (2.4 m) or more in width or 40 body-ft (12.2 m) or more in length or, when erected on site, is 320 ft<sup>2</sup> (29.7 m<sup>2</sup>) or more and which is built on a permanent chassis and designed to be used as a dwelling, with or without a permanent foundation, when connected to the required utilities, and includes plumbing, heating, air-conditioning, and electrical systems contained therein; except that such terms shall include any structure which meets all the requirements of this paragraph except the size requirements and with respect to which the manufacturer voluntarily files a certification required by the regulatory agency. Calculations used to determine the number of square feet in a structure are based on the structure's exterior dimensions, measured at the largest horizontal projections when erected on site. These dimensions include all expandable rooms, cabinets, and other projections containing interior space, but do not include bay windows. [501, 2005]

### 3.3.67 Material.

**3.3.67.1 Combustible Material.** As pertaining to materials adjacent to or in contact with heat-producing appliances, vent connectors, gas vents, chimneys, steam and hot water pipes, and warm air ducts, materials made of or surfaced with wood, compressed paper, plant fibers, or other materials that are capable of being ignited and burned. Such material shall be considered combustible even though flame-proofed, fire-retardant treated, or plastered.

**3.3.67.2 Noncombustible Material.** A material that, in the form in which it is used and under the conditions anticipated, will not ignite, burn, support combustion, or release flammable vapors when subjected to fire or heat. Materials that are reported as passing ASTM E 136, *Standard Test Method for Behavior of Materials in a Vertical Tube Furnace at 750 Degrees C*, are considered noncombustible materials.

**3.3.68 Meter.** An instrument installed to measure the volume of gas delivered through it.

**3.3.69 Mixing Blower.** A motor-driven blower to produce gas-air mixtures for combustion through one or more gas burners or nozzles on a single-zone industrial heating appliance or on each control zone of a multizone industrial appliance or on each control zone of a multizone installation.

**3.3.70 NA.** Vent configuration that is not allowed due to potential for condensate formation or pressurization of the venting system or that is not applicable due to physical or geometric restraints.

**3.3.71 NAT Max.** The maximum input rating of a Category I, draft hood-equipped appliance attached to a vent or connector.

**3.3.72 NAT+NAT.** The maximum combined appliance input rating of two or more Category I, draft hood-equipped appliances attached to the common vent.

### 3.3.73 Occupancy.

**3.3.73.1 Health Care Occupancy.** An occupancy used for purposes of medical or other treatment or care of four or more persons where such occupants are mostly incapable of self-preservation due to age, physical or mental disability, or because of security measures not under the occupants' control. [5000, 2009]

**3.3.73.2 Residential Board and Care Occupancy.** A building or portion thereof that is used for lodging and boarding of four or more residents, not related by blood or marriage to the owners or operators, for the purpose of providing personal care services. [5000, 2009]

**3.3.74 Orifice.** The opening in a cap, spud, or other device whereby the flow of gas is limited and through which the gas is discharged to the burner.

**3.3.75 Oven, Gas Baking and Roasting.** See 3.3.6.5.1, Baking and Roasting Gas Oven.

**3.3.76 Parking Structure.** A building, structure, or portion thereof used for the parking of motor vehicles.

**3.3.76.1 Basement or Underground Parking Structure.** A parking structure or portion thereof located below finished ground level.

**3.3.76.2 Enclosed Parking Structure.** Having exterior enclosing walls that have less than 25 percent of the total wall area open to atmosphere at each level using at least two sides of the structure.

**3.3.77 Pilot.** A small flame that is utilized to ignite the gas at the main burner or burners.

**3.3.78 Pipe.** Rigid conduit of iron, steel, copper, brass, aluminum, or plastic.

**3.3.78.1 Equivalent Length Pipe.** The resistance of valves, controls, and fittings to gas flow expressed as equivalent length of straight pipe for convenience in calculating pipe sizes.

**3.3.79 Piping.** As used in this code, either pipe, tubing, or both. (See also 3.3.78, *Pipe*, and 3.3.104, *Tubing*.)

**3.3.79.1 Concealed Gas Piping.** Gas piping that, when in place in a finished building, would require removal of permanent construction to gain access to the piping.

**3.3.79.2 Control Piping.** All piping, valves, and fittings used to interconnect air, gas, or hydraulically operated control apparatus or instrument transmitters and receivers.

**3.3.80 Plenum.** A compartment or chamber to which one or more ducts are connected and that forms part of the air distribution system.

**3.3.81 Pressure.** Unless otherwise stated, a measurement expressed in pounds per square inch above atmospheric pressure.

**3.3.81.1 Atmospheric Pressure.** The pressure of the weight of air on the surface of the earth, approximately 14.7 pounds per square inch (psia) (101 kPa absolute) at sea level.

**3.3.81.2 Back Pressure.** Pressure against which a fluid is flowing, resulting from friction in lines, restrictions in pipes or valves, pressure in vessel to which fluid is flowing, hydrostatic head, or other impediment that causes resistance to fluid flow.

- 3.3.81.3 Design Pressure.** The maximum operating pressure permitted by this code, as determined by the design procedures applicable to the materials involved.
- 3.3.81.4 Maximum Working Pressure.** The maximum pressure at which a piping system may be operated in accordance with the provisions of this code.
- 3.3.82 Pressure Drop.** The loss in pressure due to friction or obstruction in pipes, valves, fittings, regulators, and burners.
- 3.3.83 Pressure Test.** An operation performed to verify the gastight integrity of gas piping following its installation or modification.
- 3.3.84 Purge.** To free a gas conduit of air or gas, or a mixture of gas and air.
- 3.3.85 Qualified Agency.** Any individual, firm, corporation, or company that either in person or through a representative is engaged in and is responsible for (1) the installation, testing, or replacement of gas piping or (2) the connection, installation, testing, repair, or servicing of appliances and equipment; that is experienced in such work; that is familiar with all precautions required; and that has complied with all the requirements of the authority having jurisdiction.
- 3.3.86 Range.** See 3.3.6.5.4, Gas Range.
- 3.3.87 Refrigerator (Using Gas Fuel).** An appliance that is designed to extract heat from a suitable chamber.
- 3.3.88 Regulator.**
- 3.3.88.1 Appliance Regulator.** A pressure regulator for controlling pressure to the appliance manifold.
- 3.3.88.2 Draft Regulator.** A device that functions to maintain a desired draft in the appliance by automatically reducing the draft to the desired value.
- 3.3.88.2.1 Barometric Draft Regulator.** A balanced damper device attached to a chimney, vent connector, breeching, or flue gas manifold to control chimney draft.
- 3.3.88.3 Line Gas Regulator.** A pressure regulator placed in a gas line between the service regulator and the appliance regulator.
- 3.3.88.4 Monitoring Regulator.** A pressure regulator set in series with another pressure regulator for the purpose of automatically taking over in an emergency the control of the pressure downstream of the regulator in case that pressure tends to exceed a set maximum.
- 3.3.88.5 Pressure Regulator.** Equipment placed in a gas line for reducing, controlling, and maintaining the pressure in that portion of the piping system downstream of the equipment.
- 3.3.88.6 Series Regulator.** A pressure regulator in series with one or more other pressure regulators.
- 3.3.88.7 Service Regulator.** A pressure regulator installed by the serving gas supplier to reduce and limit the service line gas pressure to delivery pressure.
- 3.3.89 Relief Opening.** The opening provided in a draft hood to permit the ready escape to the atmosphere of the flue products from the draft hood in the event of no draft, backdraft, or stoppage beyond the draft hood and to permit inspiration of air into the draft hood in the event of a strong chimney updraft.
- 3.3.90 Room Large in Comparison with Size of Appliance.** Rooms having a volume equal to at least 12 times the total volume of a furnace or air-conditioning appliance and at least 16 times the total volume of a boiler.
- 3.3.91 Safety Blowout (Backfire Preventer).** A protective device located in the discharge piping of large mixing machines, incorporating a bursting disc for excessive pressure release, means for stopping a flame front, and an electric switch or other release mechanism for actuating a built-in or separate safety shutoff.
- 3.3.92 Service Head Adapter.** A transition fitting for use with plastic piping (which is encased in non-pressure-carrying metal pipe) that connects the metal pipe casing and plastic pipe and tubing to the remainder of the piping system.
- 3.3.93 Service Meter Assembly.** The piping and fittings installed by the serving gas supplier to connect the inlet side of the meter to the gas service and to connect the outlet side of the meter to the customer's house or yard piping.
- 3.3.94 Service Regulator.** See 3.3.88.5, Pressure Regulator; and 3.3.88.7, Service Regulator.
- 3.3.95 Shutoff.** See 3.3.105, Valve.
- 3.3.96 Specific Gravity.** As applied to gas, the ratio of the weight of a given volume to that of the same volume of air, both measured under the same conditions.
- 3.3.97 Steam Cooker.** See 3.3.6.5.5, Gas Steam Cooker.
- 3.3.98 Steam Generator.** See 3.3.6.5.6, Gas Steam Generator.
- 3.3.99 Stress.** The resultant internal force that resists change in the size or shape of a body acted on by external forces. In this code, the term *stress* is often used as being synonymous with unit stress, which is the stress per unit area (psi).
- 3.3.99.1 Hoop Stress.** The stress in a pipe wall, acting circumferentially in a plane perpendicular to the longitudinal axis of the pipe and produced by the pressure of the fluid in the pipe.
- 3.3.100 System.**
- 3.3.100.1 Central Premix System.** A system that distributes flammable gas-air mixtures to two or more remote stations.
- 3.3.100.2 Fan-Assisted Combustion System.** An appliance equipped with an integral mechanical means to either draw or force products of combustion through the combustion chamber or heat exchanger.
- 3.3.100.3 Hybrid Pressure System.** A piping system in which the pressure at the point of delivery is reduced by one or more line pressure regulators prior to the appliance connection.
- 3.3.100.4 Mechanical Exhaust System.** Equipment installed in and made a part of the vent to provide the required flow of gases through the vent.
- 3.3.100.5 Natural Draft Venting System.** A venting system that relies on natural draft to convey the products of combustion.
- 3.3.100.6 Piping System.** All piping, valves, and fittings from the outlet of the point of delivery from the supplier to the outlets of the equipment shutoff valves.

**3.3.100.7\* Venting System.** A continuous open passageway from the flue collar or draft hood of an appliance to the outdoors for the purpose of removing flue or vent gases.

**3.3.100.7.1 Forced Mechanical Draft Venting System.** A venting system in which a fan or other mechanical device is used to cause the flow of flue or vent gases under positive vent pressure.

**3.3.100.7.2 Mechanical Draft Venting System.** A venting system designed to remove flue or vent gases by mechanical means, which may consist of an induced draft portion under nonpositive static pressure or a forced draft portion under positive static pressure.

**3.3.101 Tensile Strength.** The highest unit tensile stress (referred to the original cross section) a material can sustain before failure (psi).

**3.3.102 Thermostat.**

**3.3.102.1 Electric Switch Type Thermostat.** A device that senses changes in temperature and controls electrically, by means of separate components, the flow of gas to the burner(s) to maintain selected temperatures.

**3.3.102.2 Integral Gas Valve Type Thermostat.** An automatic device, actuated by temperature changes, designed to control the gas supply to the burner(s) in order to maintain temperatures between predetermined limits and in which the thermal actuating element is an integral part of the device: (1) graduating thermostat, a thermostat in which the motion of the valve is approximately in direct proportion to the effective motion of the thermal element induced by temperature change; (2) snap-acting thermostat, a thermostat in which the thermostatic valve travels instantly from the closed to the open position, and vice versa.

**3.3.103 Thread Joint Compounds.** Nonhardening materials used on pipe threads to ensure a seal.

**3.3.104 Tubing.** Semirigid conduit of copper, steel, aluminum, corrugated stainless steel tubing (CSST), or plastic.

**3.3.105 Valve.** A device used in piping to control the gas supply to any section of a system of piping or to an appliance.

**3.3.105.1 Appliance Shutoff Valve.** A valve located in the piping system used to shut off individual equipment.

**3.3.105.2 Automatic Valve.** An automatic or semiautomatic device consisting essentially of a valve and operator that control the gas supply to the burner(s) during operation of an appliance.

**3.3.105.3 Excess Flow Valve (EFV).** A valve designed to activate when the fuel gas passing through it exceeds a prescribed flow rate.

**3.3.105.4 Manual Reset Valve.** An automatic shutoff valve installed in the gas supply piping and set to shut off when unsafe conditions occur. The device remains closed until manually reopened.

**3.3.105.5 Relief Valve.** A safety valve designed to forestall the development of a dangerous condition by relieving either pressure, temperature, or vacuum in a hot water supply system.

**3.3.105.5.1 Pressure Relief Valve.** A valve that automatically opens and closes a relief vent, depending on whether the pressure is above or below a predetermined value.

**3.3.105.5.2 Temperature Relief Valve.** A valve that automatically opens and automatically closes a relief vent, depending on whether the temperature is above or below a predetermined value.

**3.3.105.5.3 Vacuum Relief Valve.** A valve that automatically opens and closes a vent for relieving a vacuum within the hot water supply system, depending on whether the vacuum is above or below a predetermined value.

**3.3.105.6 Service Shutoff Valve.** A valve, installed by the serving gas supplier between the service meter or source of supply and the customer piping system, to shut off the entire piping system.

**3.3.106 Valve Member.** That part of a gas valve rotating within or in respect to the valve body that, by its position with respect to the valve body, controls the flow of gas.

**3.3.106.1 Nondisplaceable Valve Member.** A valve member that cannot be moved from its seat by a force applied to the handle or to any exterior portion of the valve.

**3.3.107 Vent.** A passageway used to convey flue gases from appliances or their vent connectors to the outdoors.

**3.3.107.1 Common Vent.** That portion of a vent or chimney system that conveys products of combustion from more than one appliance.

**3.3.107.2 Gas Vent.** A passageway composed of listed factory-built components assembled in accordance with the manufacturer's installation instructions for conveying vent gases from appliances or their vent connectors to the outdoors.

**3.3.107.2.1 Special-Type Gas Vent.** Gas vents for venting listed Category II, III, and IV appliances.

**3.3.107.2.2 Type B Gas Vent.** A vent for venting listed gas appliances with draft hoods and other Category I appliances listed for use with Type B gas vents.

**3.3.107.2.3 Type B-W Gas Vent.** A vent for venting listed wall furnaces.

**3.3.107.2.4 Type L Gas Vent.** A vent for venting appliances listed for use with Type L vents and appliances listed for use with Type B gas vents.

**3.3.107.3 Regulator Vent.** The opening in the atmospheric side of the regulator housing permitting the in and out movement of air to compensate for the movement of the regulator diaphragm.

**3.3.108 Vent Connector.** The pipe or duct that connects a fuel gas burning appliance to a vent or chimney.

**3.3.109 Vent Offset.** An arrangement of two or more fittings and pipe installed for the purpose of locating a vertical section of vent pipe in a different but parallel plane with respect to an adjacent section of vertical vent pipe.

**3.3.110 Venting.** Removal of combustion products as well as process fumes to the outer air.

**3.3.111 Wall Head Adapter.** A transition fitting for terminating plastic pipe inside of buildings at the building wall.

**3.3.112 Zero Governor.** A regulating device that is normally adjusted to deliver gas at atmospheric pressure within its flow rating.



## Chapter 4 General

**4.1 Qualified Agency.** Installation, testing, and replacement of gas piping, appliances, or accessories, and repair and servicing of equipment, shall be performed only by a qualified agency.

### 4.2 Interruption of Service.

**4.2.1 Notification of Interrupted Service.** When the gas supply is to be turned off, it shall be the duty of the qualified agency to notify all affected users. Where two or more users are served from the same supply system, precautions shall be exercised to ensure that service only to the proper user is turned off.

*Exception: In cases of emergency, affected users shall be notified as soon as possible of the actions taken by the qualified agency.*

**4.2.2 Work Interruptions.** When interruptions in work occur while repairs or alterations are being made to an existing piping system, the system shall be left in a safe condition.

### 4.3 Prevention of Accidental Ignition.

**4.3.1 Potential Ignition Sources.** Where work is being performed on piping that contains or has contained gas, the following shall apply:

- (1) Provisions for electrical continuity shall be made before alterations are made in a metallic piping system.
- (2) Smoking, open flames, lanterns, welding, or other sources of ignition shall not be permitted.
- (3) A metallic electrical bond shall be installed around the location of cuts in metallic gas pipes made by other than cutting torches. Where cutting torches, welding, or other sources of ignition are unavoidable, it shall be determined that all sources of gas or gas-air mixtures have been secured and that all flammable gas or liquids have been cleared from the area. Piping shall be purged as required in Section 8.3 before welding or cutting with a torch is attempted.
- (4) Artificial illumination shall be restricted to listed safety-type flashlights and safety lamps. Electric switches shall not be operated, on or off.

### 4.3.2 Handling of Flammable Liquids.

**4.3.2.1 Drip Liquids.** Liquid that is removed from a drip in existing gas piping shall be handled to avoid spillage or ignition. The gas supplier shall be notified when drip liquids are removed.

**4.3.2.2 Other Flammable Liquids.** Flammable liquids used by the installer shall be handled with precaution and shall not be left within the premises from the end of one working day to the beginning of the next.

## Chapter 5 Gas Piping System Design, Materials, and Components

### 5.1 Piping Plan.

**5.1.1 Installation of Piping System.** Where required by the authority having jurisdiction, a piping sketch or plan shall be prepared before proceeding with the installation. This plan shall show the proposed location of piping, the size of different branches, the various load demands, and the location of the point of delivery.

### 5.1.2 Addition to Existing System.

**5.1.2.1** When additional appliances are being connected to a gas piping system, the existing piping shall be checked to determine whether it has adequate capacity (*see 5.4.3*).

**5.1.2.2** If inadequate, the existing system shall be enlarged as required, or separate gas piping of adequate capacity shall be provided.

**5.2 Provision for Location of Point of Delivery.** The location of the point of delivery shall be acceptable to the serving gas supplier.

### 5.3 Interconnections Between Gas Piping Systems.

**5.3.1 Interconnections Supplying Separate Users.** Where two or more meters, or two or more service regulators where meters are not provided, are located on the same premises and supply separate users, the gas piping systems shall not be interconnected on the outlet side of the meters or service regulators.

### 5.3.2 Interconnections for Standby Fuels.

**5.3.2.1** Where a supplementary gas for standby use is connected downstream from a meter or a service regulator where a meter is not provided, equipment to prevent backflow shall be installed.

**5.3.2.2** A three-way valve installed to admit the standby supply and at the same time shut off the regular supply shall be permitted to be used for this purpose.

### 5.4 Sizing of Gas Piping Systems.

**5.4.1\* General Considerations.** Gas piping systems shall be of such size and so installed as to provide a supply of gas sufficient to meet the maximum demand and supply gas to each appliance inlet at not less than the minimum supply pressure required by the appliance.

### 5.4.2\* Maximum Gas Demand.

**5.4.2.1** The volume of gas to be provided (in cubic feet per hour) shall be determined directly from the manufacturers' input ratings of the appliances served. Where the input rating is not indicated, the gas supplier, appliance manufacturer, or a qualified agency shall be contacted, or the rating from Table 5.4.2.1 shall be used for estimating the volume of gas to be supplied.

**5.4.2.2** The total connected hourly load shall be used as the basis for piping sizing, assuming all appliances are operating at full capacity simultaneously.

*Exception: Sizing shall be permitted to be based upon established load diversity factors.*

**5.4.3\* Sizing Methods.** Gas piping shall be sized in accordance with one of the following:

- (1) Pipe sizing tables or sizing equations in Chapter 6
- (2) Other approved engineering methods acceptable to the authority having jurisdiction
- (3) Sizing tables included in a listed piping system manufacturer's installation instructions

**5.4.4 Allowable Pressure Drop.** The design pressure loss in any piping system under maximum probable flow conditions, from the point of delivery to the inlet connection of the appliance, shall be such that the supply pressure at the appliance is greater than or equal to the minimum pressure required by the appliance.



**Table 5.4.2.1 Approximate Gas Input for Typical Appliances**

Appliance	Input Btu/hr (Approx.)
<b>Space Heating Units</b>	
Warm air furnace	
Single family	100,000
Multifamily, per unit	60,000
Hydronic boiler	
Single family	100,000
Multifamily, per unit	60,000
<b>Space and Water Heating Units</b>	
Hydronic boiler	
Single family	120,000
Multifamily, per unit	75,000
<b>Water Heating Appliances</b>	
Water heater, automatic storage 30 gal to 40 gal tank	35,000
Water heater, automatic storage 50 gal tank	50,000
Water heater, automatic instantaneous	
Capacity at 2 gal/min	142,800
Capacity at 4 gal/min	285,000
Capacity at 6 gal/min	428,400
Water heater, domestic, circulating or side-arm	35,000
<b>Cooking Appliances</b>	
Range, freestanding, domestic	65,000
Built-in oven or broiler unit, domestic	25,000
Built-in top unit, domestic	40,000
<b>Other Appliances</b>	
Refrigerator	3,000
Clothes dryer, Type 1 (domestic)	35,000
Gas fireplace direct vent	40,000
Gas log	80,000
Barbecue	40,000
Gas light	2,500

For SI units, 1000 Btu/hr = 0.293 W.

## 5.5 Piping System Operating Pressure Limitations.

**5.5.1 Maximum Design Operating Pressure.** The maximum design operating pressure for piping systems located inside buildings shall not exceed 5 psi (34 kPa) unless one or more of the following conditions are met:

- (1)\*The piping system is welded.
- (2) The piping is located in a ventilated chase or otherwise enclosed for protection against accidental gas accumulation.
- (3) The piping is located inside buildings or separate areas of buildings used exclusively for one of the following:
  - (a) Industrial processing or heating
  - (b) Research
  - (c) Warehousing
  - (d) Boiler or mechanical rooms

- (4) The piping is a temporary installation for buildings under construction.
- (5) The piping serves appliances or equipment used for agricultural purposes.
- (6) The piping system is an LP-Gas piping system with a design operating pressure greater than 20 psi and complies with NFPA 58, *Liquefied Petroleum Gas Code*.

**5.5.2 LP-Gas Systems.** LP-Gas systems designed to operate below  $-5^{\circ}\text{F}$  ( $-21^{\circ}\text{C}$ ) or with butane or a propane-butane mix shall be designed to either accommodate liquid LP-Gas or to prevent LP-Gas vapor from condensing back into a liquid.

## 5.6\* Acceptable Piping Materials and Joining Methods.

### 5.6.1 General.

**5.6.1.1 Acceptable Materials.** Materials used for piping systems shall comply with the requirements of this chapter or shall be acceptable to the authority having jurisdiction.

**5.6.1.2 Used Materials.** Pipe, fittings, valves, or other materials shall not be used again unless they are free of foreign materials and have been ascertained to be adequate for the service intended.

**5.6.1.3 Other Materials.** Material not covered by the standards specifications listed herein shall meet the following criteria:

- (1) Be investigated and tested to determine that it is safe and suitable for the proposed service
- (2) Be recommended for that service by the manufacturer
- (3) Be acceptable to the authority having jurisdiction

### 5.6.2 Metallic Pipe.

**5.6.2.1 Cast Iron.** Cast-iron pipe shall not be used.

**5.6.2.2 Steel and Wrought Iron.** Steel and wrought-iron pipe shall be at least of standard weight (Schedule 40) and shall comply with one of the following standards:

- (1) ANSI/ASME B36.10, *Welded and Seamless Wrought-Steel Pipe*
- (2) ASTM A 53, *Standard Specification for Pipe, Steel, Black and Hot-Dipped, Zinc-Coated Welded and Seamless*
- (3) ASTM A 106, *Standard Specification for Seamless Carbon Steel Pipe for High-Temperature Service*

**5.6.2.3\* Copper and Brass.** Copper and brass pipe shall not be used if the gas contains more than an average of 0.3 grains of hydrogen sulfide per 100 scf of gas (0.7 mg/100 L).

**5.6.2.4 Threaded Copper, Brass, and Aluminum.** Threaded copper, brass, or aluminum alloy pipe shall not be used with gases corrosive to such material.

**5.6.2.5 Aluminum Alloy.** Aluminum alloy pipe shall comply with ASTM B 241, *Specification for Aluminum-Alloy Seamless Pipe and Seamless Extruded Tube* (except that the use of alloy 5456 is prohibited), and shall be marked at each end of each length indicating compliance. Aluminum alloy pipe shall be coated to protect against external corrosion where it is in contact with masonry, plaster, or insulation or is subject to repeated wettings by such liquids as water, detergents, or sewage.

**5.6.2.6 Aluminum Installation.** Aluminum alloy pipe shall not be used in exterior locations or underground.

**5.6.3 Metallic Tubing.** Seamless copper, aluminum alloy, or steel tubing shall not be used with gases corrosive to such material.

**5.6.3.1 Steel.** Steel tubing shall comply with ASTM A 254, *Standard Specification for Copper Brazed Steel Tubing*.

**5.6.3.2\* Copper and Brass.** Copper and brass tubing shall not be used if the gas contains more than an average of 0.3 grains of hydrogen sulfide per 100 scf of gas (0.7 mg/100 L). Copper tubing shall comply with standard Type K or Type L of ASTM B 88, *Specification for Seamless Copper Water Tube*, or ASTM B 280, *Specification for Seamless Copper Tube for Air Conditioning and Refrigeration Field Service*.

**5.6.3.3 Aluminum.** Aluminum alloy tubing shall comply with ASTM B 210, *Specification for Aluminum-Alloy Drawn Seamless Tubes*, or ASTM B 241, *Specification for Aluminum-Alloy Seamless Pipe and Seamless Extruded Tube*. Aluminum alloy tubing shall be coated to protect against external corrosion where it is in contact with masonry, plaster, or insulation or is subject to repeated wettings by such liquids as water, detergent, or sewage. Aluminum alloy tubing shall not be used in exterior locations or underground.

**5.6.3.4 Corrugated Stainless Steel.** Corrugated stainless steel tubing shall be listed in accordance with ANSI LC 1/CSA 6.26, *Fuel Gas Piping Systems Using Corrugated Stainless Steel Tubing*.

#### 5.6.4 Plastic Pipe, Tubing, and Fittings.

**5.6.4.1 Standard and Marking.** Plastic pipe, tubing, and fittings used to supply fuel gas shall conform to ASTM D 2513, *Standard Specification for Thermoplastic Gas Pressure Pipe, Tubing, and Fittings*. Pipe to be used shall be marked "gas" and "ASTM D 2513."

**5.6.4.2\* Regulator Vent Piping.** Plastic pipe, tubing, and fittings used to connect regulator vents to remote vent terminations shall be PVC conforming to ANSI/UL 651, *Schedule 40 and 80 Rigid PVC Conduit and Fittings*. PVC vent piping shall not be installed indoors.

**5.6.4.3 Anodeless Risers.** Anodeless risers shall comply with the following:

- (1) Factory-assembled anodeless risers shall be recommended by the manufacturer for the gas used and shall be leak tested by the manufacturer in accordance with written procedures.
- (2) Service head adapters and field-assembled anodeless risers incorporating service head adapters shall be recommended by the manufacturer for the gas used and shall be design-certified to meet the requirements of Category I of ASTM D 2513, *Standard Specification for Thermoplastic Gas Pressure Pipe, Tubing, and Fittings*, and 49 CFR 192.281(e). The manufacturer shall provide the user qualified installation instructions as prescribed by 49 CFR 192.283(b).
- (3) The use of plastic pipe, tubing, and fittings in undiluted LP-Gas piping systems shall be in accordance with NFPA 58, *Liquefied Petroleum Gas Code*.

**5.6.5 Workmanship and Defects.** Gas pipe, tubing, and fittings shall be clear and free from cutting burrs and defects in structure or threading and shall be thoroughly brushed and chip and scale blown. Defects in pipe, tubing, and fittings shall not be repaired. Defective pipe, tubing, and fittings shall be replaced. (See 8.1.1.3.)

**5.6.6 Protective Coating.** Where in contact with material or atmosphere exerting a corrosive action, metallic piping and fittings coated with a corrosion-resistant material shall be used. External or internal coatings or linings used on piping or components shall not be considered as adding strength.

#### 5.6.7 Metallic Pipe Threads.

**5.6.7.1 Specifications for Pipe Threads.** Metallic pipe and fitting threads shall be taper pipe threads and shall comply with ANSI/ASME B1.20.1, *Pipe Threads, General Purpose, Inch*.

**5.6.7.2 Damaged Threads.** Pipe with threads that are stripped, chipped, corroded, or otherwise damaged shall not be used. Where a weld opens during the operation of cutting or threading, that portion of the pipe shall not be used.

**5.6.7.3 Number of Threads.** Field threading of metallic pipe shall be in accordance with Table 5.6.7.3.

**Table 5.6.7.3 Specifications for Threading Metallic Pipe**

Iron Pipe Size (in.)	Approximate Length of Threaded Portion (in.)	Approximate No. of Threads to Be Cut
½	¾	10
¾	¾	10
1	7/8	10
1¼	1	11
1½	1	11
2	1	11
2½	1½	12
3	1½	12
4	1¾	13

For SI units, 1 in. = 25.4 mm.

**5.6.7.4 Thread Compounds.** Thread (joint) compounds (pipe dope) shall be resistant to the action of LP-Gas or to any other chemical constituents of the gases to be conducted through the piping.

**5.6.8 Metallic Piping Joints and Fittings.** The type of piping joint used shall be suitable for the pressure and temperature conditions and shall be selected giving consideration to joint tightness and mechanical strength under the service conditions. The joint shall be able to sustain the maximum end force due to the internal pressure and any additional forces due to temperature expansion or contraction, vibration, fatigue, or the weight of the pipe and its contents.

**5.6.8.1\* Pipe Joints.** Pipe joints shall be threaded, flanged, brazed, or welded. Where nonferrous pipe is brazed, the brazing materials shall have a melting point in excess of 1000°F (538°C). Brazing alloys shall not contain more than 0.05 percent phosphorus.

**5.6.8.2 Tubing Joints.** Tubing joints shall either be made with approved gas tubing fittings, be brazed with a material having a melting point in excess of 1000°F (538°C), or made by press-connect fittings complying with ANSI LC-4, *Press-Connect Copper and Copper Alloy Fittings for Use in Fuel Gas Distribution Systems*. Brazing alloys shall not contain more than 0.05 percent phosphorus.

**5.6.8.3 Flared Joints.** Flared joints shall be used only in systems constructed from nonferrous pipe and tubing where experience or tests have demonstrated that the joint is suitable for the conditions and where provisions are made in the design to prevent separation of the joints.

#### 5.6.8.4 Metallic Fittings (Including Valves, Strainers, Filters).

Metallic fittings shall comply with the following:

- (1) Threaded fittings in sizes larger than 4 in. (100 mm) shall not be used unless acceptable to the authority having jurisdiction.
- (2) Fittings used with steel or wrought-iron pipe shall be steel, brass, bronze, malleable iron, or cast iron.
- (3) Fittings used with copper or brass pipe shall be copper, brass, or bronze.
- (4) Fittings used with aluminum alloy pipe shall be of aluminum alloy.
- (5) *Cast-Iron Fittings.* Cast-iron fittings shall comply with the following:
  - (a) Flanges shall be permitted.
  - (b) Bushings shall not be used.
  - (c) Fittings shall not be used in systems containing flammable gas-air mixtures.
  - (d) Fittings in sizes 4 in. (100 mm) and larger shall not be used indoors unless approved by the authority having jurisdiction.
  - (e) Fittings in sizes 6 in. (150 mm) and larger shall not be used unless approved by the authority having jurisdiction.
- (6) *Aluminum Alloy Fittings.* Threads shall not form the joint seal.
- (7) *Zinc-Aluminum Alloy Fittings.* Fittings shall not be used in systems containing flammable gas-air mixtures.
- (8) *Special Fittings.* Fittings such as couplings, proprietary-type joints, saddle tees, gland-type compression fittings, and flared, flareless, or compression-type tubing fittings shall be as follows:
  - (a) Used within the fitting manufacturer's pressure-temperature recommendations
  - (b) Used within the service conditions anticipated with respect to vibration, fatigue, thermal expansion, or contraction
  - (c) Installed or braced to prevent separation of the joint by gas pressure or external physical damage
  - (d) Acceptable to the authority having jurisdiction

#### 5.6.9 Plastic Piping, Joints, and Fittings.

Plastic pipe, tubing, and fittings shall be joined in accordance with the manufacturers' instructions. The following shall be observed when making such joints:

- (1) The joint shall be designed and installed so that the longitudinal pullout resistance of the joint will be at least equal to the tensile strength of the plastic piping material.
- (2) Heat fusion joints shall be made in accordance with qualified procedures that have been established and proven by test to produce gastight joints at least as strong as the pipe or tubing being joined. Joints shall be made with the joining method recommended by the pipe manufacturer. Heat fusion fittings shall be marked "ASTM D 2513."
- (3) Where compression-type mechanical joints are used, the gasket material in the fitting shall be compatible with the plastic piping and with the gas distributed by the system. An internal tubular rigid stiffener shall be used in conjunction with the fitting. The stiffener shall be flush with the end of the pipe or tubing and shall extend at least to the outside end of the compression fitting when installed. The stiffener shall be free of rough or sharp edges and shall not be a force fit in the plastic. Split tubular stiffeners shall not be used.

- (4) Plastic piping joints and fittings for use in LP-Gas piping systems shall be in accordance with NFPA 58, *Liquefied Petroleum Gas Code*.

**5.6.10 Flanges.** All flanges shall comply with ANSI/ASME B16.1, *Cast Iron Pipe Flanges and Flanged Fittings, Class 25, 125, 250, and 800*; ANSI/ASME B16.20, *Metal Gaskets for Pipe Flanges, Ring Joint Spiral Wound and Jacketed*; or MSS SP-6, *Standard Finishes for Contact Faces of Pipe Flanges and Connecting-End Flanges of Valves and Fittings*. The pressure-temperature ratings shall equal or exceed that required by the application.

**5.6.10.1 Flange Facings.** Standard facings shall be permitted for use under this code. Where 150 psi (1034 kPa) steel flanges are bolted to Class 125 cast-iron flanges, the raised face on the steel flange shall be removed.

**5.6.10.2 Lapped Flanges.** Lapped flanges shall be used only above ground or in exposed locations accessible for inspection.

**5.6.11 Flange Gaskets.** The material for gaskets shall be capable of withstanding the design temperature and pressure of the piping system and the chemical constituents of the gas being conducted without change to its chemical and physical properties. The effects of fire exposure to the joint shall be considered in choosing the material.

**5.6.11.1** Acceptable materials shall include the following:

- (1) Metal or metal-jacketed asbestos (plain or corrugated)
- (2) Asbestos
- (3) Aluminum "O" rings and spiral-wound metal gaskets

**5.6.11.2** When a flanged joint is opened, the gasket shall be replaced.

**5.6.11.3** Full-face gaskets shall be used with all bronze and cast-iron flanges.

#### 5.7\* Gas Meters.

**5.7.1 Capacity.** Gas meters shall be selected for the maximum expected pressure and permissible pressure drop.

#### 5.7.2 Location.

**5.7.2.1** Gas meters shall be located in ventilated spaces readily accessible for examination, reading, replacement, or necessary maintenance.

**5.7.2.2** Gas meters shall not be placed where they will be subjected to damage, such as adjacent to a driveway, under a fire escape, in public passages, halls, or coal bins, or where they will be subject to excessive corrosion or vibration.

**5.7.2.3** Gas meters shall not be located where they will be subjected to extreme temperatures or sudden extreme changes in temperature. Meters shall not be located in areas where they are subjected to temperatures beyond those recommended by the manufacturer.

**5.7.3 Supports.** Gas meters shall be supported or connected to rigid piping so as not to exert a strain on the meters. Where flexible connectors are used to connect a gas meter to downstream piping at mobile homes in mobile home parks, the meter shall be supported by a post or bracket placed in a firm footing or by other means providing equivalent support.

**5.7.4 Meter Protection.** Meters shall be protected against overpressure, back pressure, and vacuum, where such conditions are anticipated.





**5.7.5 Identification.** Gas piping at multiple meter installations shall be marked by a metal tag or other permanent means designating the building or the part of the building being supplied and attached by the installing agency.

#### 5.8\* Gas Pressure Regulators.

**5.8.1 Where Required.** A line gas pressure regulator or gas equipment pressure regulator, as applicable, shall be installed where the gas supply pressure is higher than that at which the branch supply line or appliances are designed to operate or vary beyond design pressure limits.

**5.8.2** Line gas pressure regulators shall be listed in accordance with ANSI Z21.80/CSA 3.7, *Line Pressure Regulators*.

**5.8.3 Location.** The gas pressure regulator shall be accessible for servicing.

**5.8.4 Regulator Protection.** Pressure regulators shall be protected against physical damage.

#### 5.8.5 Venting.

**5.8.5.1 Line Gas Pressure Regulators.** Line gas pressure regulators shall comply with the following:

- (1) An independent vent to the exterior of the building, sized in accordance with the regulator manufacturer's instructions, shall be provided where the location of a regulator is such that a ruptured diaphragm will cause a hazard.
  - (a) Where more than one regulator is at a location, each regulator shall have a separate vent to the outdoors or, if approved by the authority having jurisdiction, the vent lines shall be permitted to be manifolded in accordance with accepted engineering practices to minimize back pressure in the event of diaphragm failure. (*See 5.9.7 for information on properly locating the vent.*)
  - (b) Materials for vent piping shall be in accordance with Section 5.6.

*Exception: A regulator and vent limiting means combination listed as complying with ANSI Z21.80/CSA 3.7, Line Pressure Regulators, shall be permitted to be used without a vent to the outdoors.*

- (2) The vent shall be designed to prevent the entry of water, insects, or other foreign materials that could cause blockage.
- (3) The regulator vent shall terminate at least 3 ft (0.9 m) from a source of ignition.
- (4) At locations where regulators might be submerged during floods, a special antiflood-type breather vent fitting shall be installed, or the vent line shall be extended above the height of the expected flood waters.
- (5) A regulator shall not be vented to the appliance flue or exhaust system.

**5.8.5.2 Appliance Pressure Regulators.** For venting of gas appliance pressure regulators, see 9.1.19.

**5.8.6 Bypass Piping.** Valved and regulated bypasses shall be permitted to be placed around gas line pressure regulators where continuity of service is imperative.

**5.8.7 Identification.** Line pressure regulators at multiple regulator installations shall be marked by a metal tag or other permanent means designating the building or the part of the building being supplied.

#### 5.9 Overpressure Protection Devices.

**5.9.1 General.** Overpressure protection devices shall be provided to prevent the pressure in the piping system from exceeding that value that would cause unsafe operation of any connected and properly adjusted appliances. (*See 5.9.5.*)

**5.9.1.1** The requirements of this section shall be met and a piping system deemed to have overpressure protection where a service or line pressure regulator plus one other device are installed such that the following occur:

- (1) Each device limits the pressure to a value that does not exceed the maximum working pressure of the downstream system.
- (2) The individual failure of either device does not result in overpressure of the downstream system.

**5.9.1.2** The pressure regulating, limiting, and relieving devices shall be properly maintained, inspection procedures shall be devised or suitable instrumentation installed to detect failures or malfunctions of such devices, and replacements or repairs shall be promptly made.

**5.9.1.3** A pressure relieving or limiting device shall not be required where the following conditions exist:

- (1) The gas does not contain materials that could seriously interfere with the operation of the service or line pressure regulator.
- (2) The operating pressure of the gas source is 60 psi (414 kPa) or less.
- (3) The service or line pressure regulator has all of the following design features or characteristics:
  - (a) Pipe connections to the service or line regulator do not exceed 2 in. nominal diameter.
  - (b) The regulator is self-contained with no external static or control piping.
  - (c) The regulator has a single port valve with an orifice diameter no greater than that recommended by the manufacturer for the maximum gas pressure at the regulator inlet.
  - (d) The valve seat is made of resilient material designed to withstand abrasion of the gas, impurities in the gas, and cutting by the valve and to resist permanent deformation where it is pressed against the valve port.
  - (e) The regulator is capable, under normal operating conditions, of regulating the downstream pressure within the necessary limits of accuracy and of limiting the discharge pressure under no-flow conditions to not more than 150 percent of the discharge pressure maintained under flow conditions.

#### 5.9.2 Devices.

**5.9.2.1** Pressure relieving or pressure limiting devices shall be one of the following:

- (1) Spring-loaded relief device
- (2) Pilot-loaded back pressure regulator used as a relief valve designed so that failure of the pilot system or external control piping causes the regulator relief valve to open
- (3) A monitoring regulator installed in series with the service or line pressure regulator
- (4) A series regulator installed upstream from the service or line regulator and set to continuously limit the pressure on the inlet of the service or line regulator to the maximum working pressure of the downstream piping system



- (5) An automatic shutoff device installed in series with the service or line pressure regulator and set to shut off when the pressure on the downstream piping system reaches the maximum working pressure or some other predetermined pressure less than the maximum working pressure. This device shall be designed so that it will remain closed until manually reset.
- (6) A liquid seal relief device that can be set to open accurately and consistently at the desired pressure

**5.9.2.2** The devices in 5.9.2.1 shall be installed either as an integral part of the service or line pressure regulator or as separate units. Where separate pressure relieving or pressure limiting devices are installed, they shall comply with 5.9.3 through 5.9.8.

**5.9.3 Construction and Installation.** All pressure relieving or pressure limiting devices shall meet the following requirements:

- (1) Be constructed of materials so that the operation of the device is not impaired by corrosion of external parts by the atmosphere or of internal parts by the gas.
- (2) Be designed and installed so they can be operated to determine whether the valve is free. The devices shall also be designed and installed so they can be tested to determine the pressure at which they operate and be examined for leakage when in the closed position.

**5.9.4 External Control Piping.** External control piping shall be protected from falling objects, excavations, or other causes of damage and shall be designed and installed so that damage to any control piping shall not render both the regulator and the overpressure protective device inoperative.

**5.9.5 Setting.** Each pressure limiting or pressure relieving device shall be set so that the pressure shall not exceed a safe level beyond the maximum allowable working pressure for the piping and appliances connected.

**5.9.6 Unauthorized Operation.** Precautions shall be taken to prevent unauthorized operation of any shutoff valve that makes a pressure relieving valve or pressure limiting device inoperative. The following are acceptable methods for complying with this provision:

- (1) Lock the valve in the open position. Instruct authorized personnel in the importance of leaving the shutoff valve open and of being present while the shutoff valve is closed so that it can be locked in the open position before leaving the premises.
- (2) Install duplicate relief valves, each having adequate capacity to protect the system, and arrange the isolating valves or three-way valve so that only one safety device can be rendered inoperative at a time.

#### 5.9.7 Vents.

**5.9.7.1** The discharge stacks, vents, or outlet parts of all pressure relieving and pressure limiting devices shall be located so that gas is safely discharged to the outdoors. Discharge stacks or vents shall be designed to prevent the entry of water, insects, or other foreign material that could cause blockage.

**5.9.7.2** The discharge stack or vent line shall be at least the same size as the outlet of the pressure relieving device.

**5.9.8 Size of Fittings, Pipe, and Openings.** The fittings, pipe, and openings located between the system to be protected and the pressure relieving device shall be sized to prevent hammering of the valve and to prevent impairment of relief capacity.

#### 5.10 Back Pressure Protection.

##### 5.10.1 Where to Install.

**5.10.1.1** Protective devices shall be installed as close to the equipment as practical where the design of equipment connected is such that air, oxygen, or standby gases could be forced into the gas supply system.

**5.10.1.2** Gas and air combustion mixers incorporating double diaphragm “zero” or “atmosphere” governors or regulators shall require no further protection unless connected directly to compressed air or oxygen at pressures of 5 psi (34 kPa) or more.

**5.10.2 Protective Devices.** Protective devices shall include but not be limited to the following:

- (1) Check valves
- (2) Three-way valves (of the type that completely closes one side before starting to open the other side)
- (3) Reverse flow indicators controlling positive shutoff valves
- (4) Normally closed air-actuated positive shutoff pressure regulators

**5.11 Low-Pressure Protection.** A protective device shall be installed between the meter and the appliance if the operation of the appliance is such (i.e., gas compressors) that it could produce a vacuum or a dangerous reduction in gas pressure at the meter; such devices include but are not limited to mechanical, diaphragm-operated, or electrically operated low-pressure shutoff valves.

**5.12 Shutoff Valves.** Shutoff valves shall be approved and shall be selected giving consideration to pressure drop, service involved, emergency use, and reliability of operation. Shutoff valves of size 1 in. National Pipe Thread and smaller shall be listed.

**5.13 Excess Flow Valve(s).** Where automatic excess flow valves are installed, they shall be listed and shall be sized and installed in accordance with the manufacturers' instructions.

#### 5.14 Expansion and Flexibility.

**5.14.1 Design.** Piping systems shall be designed to have sufficient flexibility to prevent thermal expansion or contraction from causing excessive stresses in the piping material, excessive bending or loads at joints, or undesirable forces or moments at points of connections to appliances and equipment and at anchorage or guide points. Formal calculations or model tests shall be required only where reasonable doubt exists as to the adequate flexibility of the system.

**5.14.1.1** Flexibility shall be provided by the use of bends, loops, offsets, or couplings of the slip type. Provision shall be made to absorb thermal changes by the use of expansion joints of the bellows type or by the use of “ball” or “swivel” joints. Expansion joints of the slip type shall not be used inside buildings or for thermal expansion. Where expansion joints are used, anchors or ties of sufficient strength and rigidity shall be installed to provide for end forces due to fluid pressure and other causes.

**5.14.1.2** Pipe alignment guides shall be used with expansion joints according to the recommended practice of the joint manufacturer.

**5.14.2 Special Local Conditions.** Where local conditions include earthquake, tornado, unstable ground, or flood hazards, special consideration shall be given to increased strength and flexibility of piping supports and connections.

## Chapter 6 Pipe Sizing

**6.1 Pipe Sizing Methods.** Where the pipe size is to be determined using any of the methods in 6.1.1 through 6.1.3, the diameter of each pipe segment shall be obtained from the pipe sizing tables in Section 6.2 or from the sizing equations in Section 6.4. (*See calculation examples in Annex C.*) For SI units, 1 ft<sup>3</sup> = 0.028 m<sup>3</sup>, 1 ft = 0.305 m, 1 in. w.c. = 0.249 kPa, 1 psi = 6.894 kPa, 1000 Btu/hr = 0.293 kW.

**6.1.1\* Longest Length Method.** The pipe size of each section of gas piping shall be determined using the longest length of piping from the point of delivery to the most remote outlet and the load of the section.

**6.1.2\* Branch Length Method.** Pipe shall be sized as follows:

- (1) Pipe size of each section of the longest pipe run from the point of delivery to the most remote outlet shall be determined using the longest run of piping and the load of the section.
- (2) The pipe size of each section of branch piping not previously sized shall be determined using the length of piping from the point of delivery to the most remote outlet in each branch and the load of the section.

**6.1.3 Hybrid Pressure.** The pipe size for each section of higher pressure gas piping shall be determined using the longest length of piping from the point of delivery to the most remote line pressure regulator. The pipe size from the line pressure regulator to each outlet shall be determined using the length of piping from the regulator to the most remote outlet served by the regulator.

**6.2 Tables for Sizing Gas Piping Systems Using Natural Gas.** Table 6.2(a) through Table 6.2(v) shall be used to size gas piping in conjunction with one of the methods described in 6.1.1 through 6.1.3.

**6.3 Tables for Sizing Gas Piping Systems Using Propane.** Table 6.3(a) through Table 6.3(m) shall be used to size gas piping in conjunction with one of the methods described in 6.1.1 through 6.1.3.

**6.4 Sizing Equations.** The inside diameter of smooth wall pipe or tubing shall be determined by the sizing equations in 6.4.1 and 6.4.2 using the equivalent pipe length determined by the methods in 6.1.1 through 6.1.3.

**6.4.1\* Low-Pressure Gas Formula.** Less than 1.5 psi (10.3 kPa):

$$D = \frac{Q^{0.381}}{19.17 \left( \frac{\Delta H}{Cr \times L} \right)^{0.206}}$$

**6.4.2\* High-Pressure Gas Formula.** 1.5 psi (10.3 kPa) and above:

$$D = \frac{Q^{0.381}}{18.93 \left[ \frac{(P_1^2 - P_2^2) \cdot Y}{Cr \times L} \right]^{0.206}}$$

where:

- $D$  = inside diameter of pipe (in.)
- $Q$  = input rate appliance(s) (cubic feet per hour at 60°F and 30 in. mercury column)
- $P_1$  = upstream pressure [psia ( $P_1 + 14.7$ )]
- $P_2$  = downstream pressure [psia ( $P_2 + 14.7$ )]
- $L$  = equivalent length of pipe (ft)
- $\Delta H$  = pressure drop [in. w.c. (27.7 in. H<sub>2</sub>O = 1 psi)]  
See Table 6.4.2 for values of  $Cr$  and  $Y$ .

**Table 6.4.2  $Cr$  and  $Y$  for Natural Gas and Undiluted Propane at Standard Conditions**

Gas	Formula Factors	
	$Cr$	$Y$
Natural gas	0.6094	0.9992
Undiluted propane	1.2462	0.9910

**Table 6.2(a) Schedule 40 Metallic Pipe**

														Gas:	Natural												
														Inlet Pressure:	Less than 2 psi												
														Pressure Drop:	0.3 in. w.c.												
														Specific Gravity:	0.60												
														Pipe Size (in.)													
Nominal:	½	¾	1	1¼	1½	2	2½	3	4	5	6	8	10	12													
Actual ID:	0.622	0.824	1.049	1.380	1.610	2.067	2.469	3.068	4.026	5.047	6.065	7.981	10.020	11.938													
Length (ft)	Capacity in Cubic Feet of Gas per Hour																										
10	131	273	514	1,060	1,580	3,050	4,860	8,580	17,500	31,700	51,300	105,000	191,000	303,000													
20	90	188	353	726	1,090	2,090	3,340	5,900	12,000	21,800	35,300	72,400	132,000	208,000													
30	72	151	284	583	873	1,680	2,680	4,740	9,660	17,500	28,300	58,200	106,000	167,000													
40	62	129	243	499	747	1,440	2,290	4,050	8,270	15,000	24,200	49,800	90,400	143,000													
50	55	114	215	442	662	1,280	2,030	3,590	7,330	13,300	21,500	44,100	80,100	127,000													
60	50	104	195	400	600	1,160	1,840	3,260	6,640	12,000	19,500	40,000	72,600	115,000													
70	46	95	179	368	552	1,060	1,690	3,000	6,110	11,100	17,900	36,800	66,800	106,000													
80	42	89	167	343	514	989	1,580	2,790	5,680	10,300	16,700	34,200	62,100	98,400													
90	40	83	157	322	482	928	1,480	2,610	5,330	9,650	15,600	32,100	58,300	92,300													
100	38	79	148	304	455	877	1,400	2,470	5,040	9,110	14,800	30,300	55,100	87,200													
125	33	70	131	269	403	777	1,240	2,190	4,460	8,080	13,100	26,900	48,800	77,300													
150	30	63	119	244	366	704	1,120	1,980	4,050	7,320	11,900	24,300	44,200	70,000													
175	28	58	109	224	336	648	1,030	1,820	3,720	6,730	10,900	22,400	40,700	64,400													
200	26	54	102	209	313	602	960	1,700	3,460	6,260	10,100	20,800	37,900	59,900													
250	23	48	90	185	277	534	851	1,500	3,070	5,550	8,990	18,500	33,500	53,100													
300	21	43	82	168	251	484	771	1,360	2,780	5,030	8,150	16,700	30,400	48,100													
350	19	40	75	154	231	445	709	1,250	2,560	4,630	7,490	15,400	28,000	44,300													
400	18	37	70	143	215	414	660	1,170	2,380	4,310	6,970	14,300	26,000	41,200													
450	17	35	66	135	202	389	619	1,090	2,230	4,040	6,540	13,400	24,400	38,600													
500	16	33	62	127	191	367	585	1,030	2,110	3,820	6,180	12,700	23,100	36,500													
550	15	31	59	121	181	349	556	982	2,000	3,620	5,870	12,100	21,900	34,700													
600	14	30	56	115	173	333	530	937	1,910	3,460	5,600	11,500	20,900	33,100													
650	14	29	54	110	165	318	508	897	1,830	3,310	5,360	11,000	20,000	31,700													
700	13	27	52	106	159	306	488	862	1,760	3,180	5,150	10,600	19,200	30,400													
750	13	26	50	102	153	295	470	830	1,690	3,060	4,960	10,200	18,500	29,300													
800	12	26	48	99	148	285	454	802	1,640	2,960	4,790	9,840	17,900	28,300													
850	12	25	46	95	143	275	439	776	1,580	2,860	4,640	9,530	17,300	27,400													
900	11	24	45	93	139	267	426	752	1,530	2,780	4,500	9,240	16,800	26,600													
950	11	23	44	90	135	259	413	731	1,490	2,700	4,370	8,970	16,300	25,800													
1,000	11	23	43	87	131	252	402	711	1,450	2,620	4,250	8,720	15,800	25,100													
1,100	10	21	40	83	124	240	382	675	1,380	2,490	4,030	8,290	15,100	23,800													
1,200	NA	20	39	79	119	229	364	644	1,310	2,380	3,850	7,910	14,400	22,700													
1,300	NA	20	37	76	114	219	349	617	1,260	2,280	3,680	7,570	13,700	21,800													
1,400	NA	19	35	73	109	210	335	592	1,210	2,190	3,540	7,270	13,200	20,900													
1,500	NA	18	34	70	105	203	323	571	1,160	2,110	3,410	7,010	12,700	20,100													
1,600	NA	18	33	68	102	196	312	551	1,120	2,030	3,290	6,770	12,300	19,500													
1,700	NA	17	32	66	98	189	302	533	1,090	1,970	3,190	6,550	11,900	18,800													
1,800	NA	16	31	64	95	184	293	517	1,050	1,910	3,090	6,350	11,500	18,300													
1,900	NA	16	30	62	93	178	284	502	1,020	1,850	3,000	6,170	11,200	17,700													
2,000	NA	16	29	60	90	173	276	488	1,000	1,800	2,920	6,000	10,900	17,200													

NA: A flow of less than 10 cfh.  
 Note: All table entries are rounded to 3 significant digits.

**Table 6.2(b) Schedule 40 Metallic Pipe**

														Gas: Natural														
														Inlet Pressure: Less than 2 psi														
														Pressure Drop: 0.5 in. w.c.														
														Specific Gravity: 0.60														
														Pipe Size (in.)														
Nominal:	½	¾	1	1¼	1½	2	2½	3	4	5	6	8	10	12														
Actual ID:	0.622	0.824	1.049	1.380	1.610	2.067	2.469	3.068	4.026	5.047	6.065	7.981	10.020	11.938														
Length (ft)	Capacity in Cubic Feet of Gas per Hour																											
10	172	360	678	1,390	2,090	4,020	6,400	11,300	23,100	41,800	67,600	139,000	252,000	399,000														
20	118	247	466	957	1,430	2,760	4,400	7,780	15,900	28,700	46,500	95,500	173,000	275,000														
30	95	199	374	768	1,150	2,220	3,530	6,250	12,700	23,000	37,300	76,700	139,000	220,000														
40	81	170	320	657	985	1,900	3,020	5,350	10,900	19,700	31,900	65,600	119,000	189,000														
50	72	151	284	583	873	1,680	2,680	4,740	9,660	17,500	28,300	58,200	106,000	167,000														
60	65	137	257	528	791	1,520	2,430	4,290	8,760	15,800	25,600	52,700	95,700	152,000														
70	60	126	237	486	728	1,400	2,230	3,950	8,050	14,600	23,600	48,500	88,100	139,000														
80	56	117	220	452	677	1,300	2,080	3,670	7,490	13,600	22,000	45,100	81,900	130,000														
90	52	110	207	424	635	1,220	1,950	3,450	7,030	12,700	20,600	42,300	76,900	122,000														
100	50	104	195	400	600	1,160	1,840	3,260	6,640	12,000	19,500	40,000	72,600	115,000														
125	44	92	173	355	532	1,020	1,630	2,890	5,890	10,600	17,200	35,400	64,300	102,000														
150	40	83	157	322	482	928	1,480	2,610	5,330	9,650	15,600	32,100	58,300	92,300														
175	37	77	144	296	443	854	1,360	2,410	4,910	8,880	14,400	29,500	53,600	84,900														
200	34	71	134	275	412	794	1,270	2,240	4,560	8,260	13,400	27,500	49,900	79,000														
250	30	63	119	244	366	704	1,120	1,980	4,050	7,320	11,900	24,300	44,200	70,000														
300	27	57	108	221	331	638	1,020	1,800	3,670	6,630	10,700	22,100	40,100	63,400														
350	25	53	99	203	305	587	935	1,650	3,370	6,100	9,880	20,300	36,900	58,400														
400	23	49	92	189	283	546	870	1,540	3,140	5,680	9,190	18,900	34,300	54,300														
450	22	46	86	177	266	512	816	1,440	2,940	5,330	8,620	17,700	32,200	50,900														
500	21	43	82	168	251	484	771	1,360	2,780	5,030	8,150	16,700	30,400	48,100														
550	20	41	78	159	239	459	732	1,290	2,640	4,780	7,740	15,900	28,900	45,700														
600	19	39	74	152	228	438	699	1,240	2,520	4,560	7,380	15,200	27,500	43,600														
650	18	38	71	145	218	420	669	1,180	2,410	4,360	7,070	14,500	26,400	41,800														
700	17	36	68	140	209	403	643	1,140	2,320	4,190	6,790	14,000	25,300	40,100														
750	17	35	66	135	202	389	619	1,090	2,230	4,040	6,540	13,400	24,400	38,600														
800	16	34	63	130	195	375	598	1,060	2,160	3,900	6,320	13,000	23,600	37,300														
850	16	33	61	126	189	363	579	1,020	2,090	3,780	6,110	12,600	22,800	36,100														
900	15	32	59	122	183	352	561	992	2,020	3,660	5,930	12,200	22,100	35,000														
950	15	31	58	118	178	342	545	963	1,960	3,550	5,760	11,800	21,500	34,000														
1,000	14	30	56	115	173	333	530	937	1,910	3,460	5,600	11,500	20,900	33,100														
1,100	14	28	53	109	164	316	503	890	1,810	3,280	5,320	10,900	19,800	31,400														
1,200	13	27	51	104	156	301	480	849	1,730	3,130	5,070	10,400	18,900	30,000														
1,300	12	26	49	100	150	289	460	813	1,660	3,000	4,860	9,980	18,100	28,700														
1,400	12	25	47	96	144	277	442	781	1,590	2,880	4,670	9,590	17,400	27,600														
1,500	11	24	45	93	139	267	426	752	1,530	2,780	4,500	9,240	16,800	26,600														
1,600	11	23	44	89	134	258	411	727	1,480	2,680	4,340	8,920	16,200	25,600														
1,700	11	22	42	86	130	250	398	703	1,430	2,590	4,200	8,630	15,700	24,800														
1,800	10	22	41	84	126	242	386	682	1,390	2,520	4,070	8,370	15,200	24,100														
1,900	10	21	40	81	122	235	375	662	1,350	2,440	3,960	8,130	14,800	23,400														
2,000	NA	20	39	79	119	229	364	644	1,310	2,380	3,850	7,910	14,400	22,700														

NA: A flow of less than 10 cfh.

Note: All table entries are rounded to 3 significant digits.



**Table 6.2(c) Schedule 40 Metallic Pipe**

		Gas: Natural							
		Inlet Pressure: 2.0 psi							
		Pressure Drop: 1.0 psi							
		Specific Gravity: 0.60							
		Pipe Size (in.)							
Nominal:	½	¾	1	1¼	1½	2	2½	3	4
Actual ID:	0.622	0.824	1.049	1.380	1.610	2.067	2.469	3.068	4.026
Length (ft)	Capacity in Cubic Feet of Gas per Hour								
10	1,510	3,040	5,560	11,400	17,100	32,900	52,500	92,800	189,000
20	1,070	2,150	3,930	8,070	12,100	23,300	37,100	65,600	134,000
30	869	1,760	3,210	6,590	9,880	19,000	30,300	53,600	109,000
40	753	1,520	2,780	5,710	8,550	16,500	26,300	46,400	94,700
50	673	1,360	2,490	5,110	7,650	14,700	23,500	41,500	84,700
60	615	1,240	2,270	4,660	6,980	13,500	21,400	37,900	77,300
70	569	1,150	2,100	4,320	6,470	12,500	19,900	35,100	71,600
80	532	1,080	1,970	4,040	6,050	11,700	18,600	32,800	67,000
90	502	1,010	1,850	3,810	5,700	11,000	17,500	30,900	63,100
100	462	934	1,710	3,510	5,260	10,100	16,100	28,500	58,200
125	414	836	1,530	3,140	4,700	9,060	14,400	25,500	52,100
150	372	751	1,370	2,820	4,220	8,130	13,000	22,900	46,700
175	344	695	1,270	2,601	3,910	7,530	12,000	21,200	43,300
200	318	642	1,170	2,410	3,610	6,960	11,100	19,600	40,000
250	279	583	1,040	2,140	3,210	6,180	9,850	17,400	35,500
300	253	528	945	1,940	2,910	5,600	8,920	15,800	32,200
350	232	486	869	1,790	2,670	5,150	8,210	14,500	29,600
400	216	452	809	1,660	2,490	4,790	7,640	13,500	27,500
450	203	424	759	1,560	2,330	4,500	7,170	12,700	25,800
500	192	401	717	1,470	2,210	4,250	6,770	12,000	24,400
550	182	381	681	1,400	2,090	4,030	6,430	11,400	23,200
600	174	363	650	1,330	2,000	3,850	6,130	10,800	22,100
650	166	348	622	1,280	1,910	3,680	5,870	10,400	21,200
700	160	334	598	1,230	1,840	3,540	5,640	9,970	20,300
750	154	322	576	1,180	1,770	3,410	5,440	9,610	19,600
800	149	311	556	1,140	1,710	3,290	5,250	9,280	18,900
850	144	301	538	1,100	1,650	3,190	5,080	8,980	18,300
900	139	292	522	1,070	1,600	3,090	4,930	8,710	17,800
950	135	283	507	1,040	1,560	3,000	4,780	8,460	17,200
1,000	132	275	493	1,010	1,520	2,920	4,650	8,220	16,800
1,100	125	262	468	960	1,440	2,770	4,420	7,810	15,900
1,200	119	250	446	917	1,370	2,640	4,220	7,450	15,200
1,300	114	239	427	878	1,320	2,530	4,040	7,140	14,600
1,400	110	230	411	843	1,260	2,430	3,880	6,860	14,000
1,500	106	221	396	812	1,220	2,340	3,740	6,600	13,500
1,600	102	214	382	784	1,180	2,260	3,610	6,380	13,000
1,700	99	207	370	759	1,140	2,190	3,490	6,170	12,600
1,800	96	200	358	736	1,100	2,120	3,390	5,980	12,200
1,900	93	195	348	715	1,070	2,060	3,290	5,810	11,900
2,000	91	189	339	695	1,040	2,010	3,200	5,650	11,500

Note: All table entries are rounded to 3 significant digits.

**Table 6.2(d) Schedule 40 Metallic Pipe**

		Gas:		Natural					
		Inlet Pressure:		3.0 psi					
		Pressure Drop:		2.0 psi					
		Specific Gravity:		0.60					
		Pipe Size (in.)							
Nominal:	½	¾	1	1¼	1½	2	2½	3	4
Actual ID:	0.622	0.824	1.049	1.380	1.610	2.067	2.469	3.068	4.026
Length (ft)	Capacity in Cubic Feet of Gas per Hour								
10	2,350	4,920	9,270	19,000	28,500	54,900	87,500	155,000	316,000
20	1,620	3,380	6,370	13,100	19,600	37,700	60,100	106,000	217,000
30	1,300	2,720	5,110	10,500	15,700	30,300	48,300	85,400	174,000
40	1,110	2,320	4,380	8,990	13,500	25,900	41,300	73,100	149,000
50	985	2,060	3,880	7,970	11,900	23,000	36,600	64,800	132,000
60	892	1,870	3,520	7,220	10,800	20,800	33,200	58,700	120,000
70	821	1,720	3,230	6,640	9,950	19,200	30,500	54,000	110,000
80	764	1,600	3,010	6,180	9,260	17,800	28,400	50,200	102,000
90	717	1,500	2,820	5,800	8,680	16,700	26,700	47,100	96,100
100	677	1,420	2,670	5,470	8,200	15,800	25,200	44,500	90,800
125	600	1,250	2,360	4,850	7,270	14,000	22,300	39,500	80,500
150	544	1,140	2,140	4,400	6,590	12,700	20,200	35,700	72,900
175	500	1,050	1,970	4,040	6,060	11,700	18,600	32,900	67,100
200	465	973	1,830	3,760	5,640	10,900	17,300	30,600	62,400
250	412	862	1,620	3,330	5,000	9,620	15,300	27,100	55,300
300	374	781	1,470	3,020	4,530	8,720	13,900	24,600	50,100
350	344	719	1,350	2,780	4,170	8,020	12,800	22,600	46,100
400	320	669	1,260	2,590	3,870	7,460	11,900	21,000	42,900
450	300	627	1,180	2,430	3,640	7,000	11,200	19,700	40,200
500	283	593	1,120	2,290	3,430	6,610	10,500	18,600	38,000
550	269	563	1,060	2,180	3,260	6,280	10,000	17,700	36,100
600	257	537	1,010	2,080	3,110	5,990	9,550	16,900	34,400
650	246	514	969	1,990	2,980	5,740	9,150	16,200	33,000
700	236	494	931	1,910	2,860	5,510	8,790	15,500	31,700
750	228	476	897	1,840	2,760	5,310	8,470	15,000	30,500
800	220	460	866	1,780	2,660	5,130	8,180	14,500	29,500
850	213	445	838	1,720	2,580	4,960	7,910	14,000	28,500
900	206	431	812	1,670	2,500	4,810	7,670	13,600	27,700
950	200	419	789	1,620	2,430	4,670	7,450	13,200	26,900
1,000	195	407	767	1,580	2,360	4,550	7,240	12,800	26,100
1,100	185	387	729	1,500	2,240	4,320	6,890	12,200	24,800
1,200	177	369	695	1,430	2,140	4,120	6,570	11,600	23,700
1,300	169	353	666	1,370	2,050	3,940	6,290	11,100	22,700
1,400	162	340	640	1,310	1,970	3,790	6,040	10,700	21,800
1,500	156	327	616	1,270	1,900	3,650	5,820	10,300	21,000
1,600	151	316	595	1,220	1,830	3,530	5,620	10,000	20,300
1,700	146	306	576	1,180	1,770	3,410	5,440	9,610	19,600
1,800	142	296	558	1,150	1,720	3,310	5,270	9,320	19,000
1,900	138	288	542	1,110	1,670	3,210	5,120	9,050	18,400
2,000	134	280	527	1,080	1,620	3,120	4,980	8,800	18,000

Note: All table entries are rounded to 3 significant digits.

**Table 6.2(e) Schedule 40 Metallic Pipe**

		Gas: Natural							
		Inlet Pressure: 5.0 psi							
		Pressure Drop: 3.5 psi							
		Specific Gravity: 0.60							
		Pipe Size (in.)							
Nominal:	½	¾	1	1¼	1½	2	2½	3	4
Actual ID:	0.622	0.824	1.049	1.380	1.610	2.067	2.469	3.068	4.026
Length (ft)	Capacity in Cubic Feet of Gas per Hour								
10	3,190	6,430	11,800	24,200	36,200	69,700	111,000	196,000	401,000
20	2,250	4,550	8,320	17,100	25,600	49,300	78,600	139,000	283,000
30	1,840	3,720	6,790	14,000	20,900	40,300	64,200	113,000	231,000
40	1,590	3,220	5,880	12,100	18,100	34,900	55,600	98,200	200,000
50	1,430	2,880	5,260	10,800	16,200	31,200	49,700	87,900	179,000
60	1,300	2,630	4,800	9,860	14,800	28,500	45,400	80,200	164,000
70	1,200	2,430	4,450	9,130	13,700	26,400	42,000	74,300	151,000
80	1,150	2,330	4,260	8,540	12,800	24,700	39,300	69,500	142,000
90	1,060	2,150	3,920	8,050	12,100	23,200	37,000	65,500	134,000
100	979	1,980	3,620	7,430	11,100	21,400	34,200	60,400	123,000
125	876	1,770	3,240	6,640	9,950	19,200	30,600	54,000	110,000
150	786	1,590	2,910	5,960	8,940	17,200	27,400	48,500	98,900
175	728	1,470	2,690	5,520	8,270	15,900	25,400	44,900	91,600
200	673	1,360	2,490	5,100	7,650	14,700	23,500	41,500	84,700
250	558	1,170	2,200	4,510	6,760	13,000	20,800	36,700	74,900
300	506	1,060	1,990	4,090	6,130	11,800	18,800	33,300	67,800
350	465	973	1,830	3,760	5,640	10,900	17,300	30,600	62,400
400	433	905	1,710	3,500	5,250	10,100	16,100	28,500	58,100
450	406	849	1,600	3,290	4,920	9,480	15,100	26,700	54,500
500	384	802	1,510	3,100	4,650	8,950	14,300	25,200	51,500
550	364	762	1,440	2,950	4,420	8,500	13,600	24,000	48,900
600	348	727	1,370	2,810	4,210	8,110	12,900	22,900	46,600
650	333	696	1,310	2,690	4,030	7,770	12,400	21,900	44,600
700	320	669	1,260	2,590	3,880	7,460	11,900	21,000	42,900
750	308	644	1,210	2,490	3,730	7,190	11,500	20,300	41,300
800	298	622	1,170	2,410	3,610	6,940	11,100	19,600	39,900
850	288	602	1,130	2,330	3,490	6,720	10,700	18,900	38,600
900	279	584	1,100	2,260	3,380	6,520	10,400	18,400	37,400
950	271	567	1,070	2,190	3,290	6,330	10,100	17,800	36,400
1,000	264	551	1,040	2,130	3,200	6,150	9,810	17,300	35,400
1,100	250	524	987	2,030	3,030	5,840	9,320	16,500	33,600
1,200	239	500	941	1,930	2,900	5,580	8,890	15,700	32,000
1,300	229	478	901	1,850	2,770	5,340	8,510	15,000	30,700
1,400	220	460	866	1,780	2,660	5,130	8,180	14,500	29,500
1,500	212	443	834	1,710	2,570	4,940	7,880	13,900	28,400
1,600	205	428	806	1,650	2,480	4,770	7,610	13,400	27,400
1,700	198	414	780	1,600	2,400	4,620	7,360	13,000	26,500
1,800	192	401	756	1,550	2,330	4,480	7,140	12,600	25,700
1,900	186	390	734	1,510	2,260	4,350	6,930	12,300	25,000
2,000	181	379	714	1,470	2,200	4,230	6,740	11,900	24,300

Note: All table entries are rounded to 3 significant digits.

**Table 6.2(f) Semirigid Copper Tubing**

		Gas: Natural								
		Inlet Pressure: Less than 2 psi								
		Pressure Drop: 0.3 in. w.c.								
		Specific Gravity: 0.60								
		Tube Size (in.)								
Nominal:	K & L:	¼	⅜	½	⅝	¾	1	1¼	1½	2
	ACR:	⅜	½	⅝	¾	⅞	1½	1¾	—	—
Outside:		0.375	0.500	0.625	0.750	0.875	1.125	1.375	1.625	2.125
Inside: <sup>*</sup>		0.305	0.402	0.527	0.652	0.745	0.995	1.245	1.481	1.959
Length (ft)		Capacity in Cubic Feet of Gas per Hour								
10	20	42	85	148	210	448	806	1,270	2,650	
20	14	29	58	102	144	308	554	873	1,820	
30	11	23	47	82	116	247	445	701	1,460	
40	10	20	40	70	99	211	381	600	1,250	
50	NA	17	35	62	88	187	337	532	1,110	
60	NA	16	32	56	79	170	306	482	1,000	
70	NA	14	29	52	73	156	281	443	924	
80	NA	13	27	48	68	145	262	413	859	
90	NA	13	26	45	64	136	245	387	806	
100	NA	12	24	43	60	129	232	366	761	
125	NA	11	22	38	53	114	206	324	675	
150	NA	10	20	34	48	103	186	294	612	
175	NA	NA	18	31	45	95	171	270	563	
200	NA	NA	17	29	41	89	159	251	523	
250	NA	NA	15	26	37	78	141	223	464	
300	NA	NA	13	23	33	71	128	202	420	
350	NA	NA	12	22	31	65	118	186	387	
400	NA	NA	11	20	28	61	110	173	360	
450	NA	NA	11	19	27	57	103	162	338	
500	NA	NA	10	18	25	54	97	153	319	
550	NA	NA	NA	17	24	51	92	145	303	
600	NA	NA	NA	16	23	49	88	139	289	
650	NA	NA	NA	15	22	47	84	133	277	
700	NA	NA	NA	15	21	45	81	128	266	
750	NA	NA	NA	14	20	43	78	123	256	
800	NA	NA	NA	14	20	42	75	119	247	
850	NA	NA	NA	13	19	40	73	115	239	
900	NA	NA	NA	13	18	39	71	111	232	
950	NA	NA	NA	13	18	38	69	108	225	
1,000	NA	NA	NA	12	17	37	67	105	219	
1,100	NA	NA	NA	12	16	35	63	100	208	
1,200	NA	NA	NA	11	16	34	60	95	199	
1,300	NA	NA	NA	11	15	32	58	91	190	
1,400	NA	NA	NA	10	14	31	56	88	183	
1,500	NA	NA	NA	NA	14	30	54	84	176	
1,600	NA	NA	NA	NA	13	29	52	82	170	
1,700	NA	NA	NA	NA	13	28	50	79	164	
1,800	NA	NA	NA	NA	13	27	49	77	159	
1,900	NA	NA	NA	NA	12	26	47	74	155	
2,000	NA	NA	NA	NA	12	25	46	72	151	

NA: A flow of less than 10 cfh.

Note: All table entries are rounded to 3 significant digits.

<sup>\*</sup>Table capacities are based on Type K copper tubing inside diameter (shown), which has the smallest inside diameter of the copper tubing products.



**Table 6.2(g) Semirigid Copper Tubing**

		Gas: Natural								
		Inlet Pressure: Less than 2 psi								
		Pressure Drop: 0.5 in. w.c.								
		Specific Gravity: 0.60								
		Tube Size (in.)								
Nominal:	K & L:	¼	⅜	½	⅝	¾	1	1¼	1½	2
	ACR:	⅜	½	⅝	¾	⅞	1½	1¾	—	—
Outside:		0.375	0.500	0.625	0.750	0.875	1.125	1.375	1.625	2.125
Inside: <sup>a</sup>		0.305	0.402	0.527	0.652	0.745	0.995	1.245	1.481	1.959
Length (ft)		Capacity in Cubic Feet of Gas per Hour								
10	27	55	111	195	276	590	1,060	1,680	3,490	
20	18	38	77	134	190	406	730	1,150	2,400	
30	15	30	61	107	152	326	586	925	1,930	
40	13	26	53	92	131	279	502	791	1,650	
50	11	23	47	82	116	247	445	701	1,460	
60	10	21	42	74	105	224	403	635	1,320	
70	NA	19	39	68	96	206	371	585	1,220	
80	NA	18	36	63	90	192	345	544	1,130	
90	NA	17	34	59	84	180	324	510	1,060	
100	NA	16	32	56	79	170	306	482	1,000	
125	NA	14	28	50	70	151	271	427	890	
150	NA	13	26	45	64	136	245	387	806	
175	NA	12	24	41	59	125	226	356	742	
200	NA	11	22	39	55	117	210	331	690	
250	NA	NA	20	34	48	103	186	294	612	
300	NA	NA	18	31	44	94	169	266	554	
350	NA	NA	16	28	40	86	155	245	510	
400	NA	NA	15	26	38	80	144	228	474	
450	NA	NA	14	25	35	75	135	214	445	
500	NA	NA	13	23	33	71	128	202	420	
550	NA	NA	13	22	32	68	122	192	399	
600	NA	NA	12	21	30	64	116	183	381	
650	NA	NA	12	20	29	62	111	175	365	
700	NA	NA	11	20	28	59	107	168	350	
750	NA	NA	11	19	27	57	103	162	338	
800	NA	NA	10	18	26	55	99	156	326	
850	NA	NA	10	18	25	53	96	151	315	
900	NA	NA	NA	17	24	52	93	147	306	
950	NA	NA	NA	17	24	50	90	143	297	
1,000	NA	NA	NA	16	23	49	88	139	289	
1,100	NA	NA	NA	15	22	46	84	132	274	
1,200	NA	NA	NA	15	21	44	80	126	262	
1,300	NA	NA	NA	14	20	42	76	120	251	
1,400	NA	NA	NA	13	19	41	73	116	241	
1,500	NA	NA	NA	13	18	39	71	111	232	
1,600	NA	NA	NA	13	18	38	68	108	224	
1,700	NA	NA	NA	12	17	37	66	104	217	
1,800	NA	NA	NA	12	17	36	64	101	210	
1,900	NA	NA	NA	11	16	35	62	98	204	
2,000	NA	NA	NA	11	16	34	60	95	199	

NA: A flow of less than 10 cfh.

Note: All table entries are rounded to 3 significant digits.

<sup>a</sup>Table capacities are based on Type K copper tubing inside diameter (shown), which has the smallest inside diameter of the copper tubing products.

**Table 6.2(h) Semirigid Copper Tubing**

		Gas:	Natural							
		Inlet Pressure:	Less than 2 psi							
		Pressure Drop:	1.0 in. w.c.							
		Specific Gravity:	0.60							
INTENDED USE: Tube Sizing Between House Line Regulator and the Appliance.										
Tube Size (in.)										
Nominal:	K & L:	¼	⅜	½	¾	¾	1	1¼	1½	2
	ACR:	⅜	½	⅝	¾	⅞	1⅛	1⅜	—	—
Outside:		0.375	0.500	0.625	0.750	0.875	1.125	1.375	1.625	2.125
Inside: <sup>*</sup>		0.305	0.402	0.527	0.652	0.745	0.995	1.245	1.481	1.959
Length (ft)		Capacity in Cubic Feet of Gas per Hour								
10	39	80	162	283	402	859	1,550	2,440	5,080	
20	27	55	111	195	276	590	1,060	1,680	3,490	
30	21	44	89	156	222	474	853	1,350	2,800	
40	18	38	77	134	190	406	730	1,150	2,400	
50	16	33	68	119	168	359	647	1,020	2,130	
60	15	30	61	107	152	326	586	925	1,930	
70	13	28	57	99	140	300	539	851	1,770	
80	13	26	53	92	131	279	502	791	1,650	
90	12	24	49	86	122	262	471	742	1,550	
100	11	23	47	82	116	247	445	701	1,460	
125	NA	20	41	72	103	219	394	622	1,290	
150	NA	18	37	65	93	198	357	563	1,170	
175	NA	17	34	60	85	183	329	518	1,080	
200	NA	16	32	56	79	170	306	482	1,000	
250	NA	14	28	50	70	151	271	427	890	
300	NA	13	26	45	64	136	245	387	806	
350	NA	12	24	41	59	125	226	356	742	
400	NA	11	22	39	55	117	210	331	690	
450	NA	10	21	36	51	110	197	311	647	
500	NA	NA	20	34	48	103	186	294	612	
550	NA	NA	19	32	46	98	177	279	581	
600	NA	NA	18	31	44	94	169	266	554	
650	NA	NA	17	30	42	90	162	255	531	
700	NA	NA	16	28	40	86	155	245	510	
750	NA	NA	16	27	39	83	150	236	491	
800	NA	NA	15	26	38	80	144	228	474	
850	NA	NA	15	26	36	78	140	220	459	
900	NA	NA	14	25	35	75	135	214	445	
950	NA	NA	14	24	34	73	132	207	432	
1,000	NA	NA	13	23	33	71	128	202	420	
1,100	NA	NA	13	22	32	68	122	192	399	
1,200	NA	NA	12	21	30	64	116	183	381	
1,300	NA	NA	12	20	29	62	111	175	365	
1,400	NA	NA	11	20	28	59	107	168	350	
1,500	NA	NA	11	19	27	57	103	162	338	
1,600	NA	NA	10	18	26	55	99	156	326	
1,700	NA	NA	10	18	25	53	96	151	315	
1,800	NA	NA	NA	17	24	52	93	147	306	
1,900	NA	NA	NA	17	24	50	90	143	297	
2,000	NA	NA	NA	16	23	49	88	139	289	

NA: A flow of less than 10 cfh.

Note: All table entries are rounded to 3 significant digits.

<sup>\*</sup>Table capacities are based on Type K copper tubing inside diameter (shown), which has the smallest inside diameter of the copper tubing products.

**Table 6.2(i) Semirigid Copper Tubing**

		Gas: Natural								
		Inlet Pressure: Less than 2.0 psi								
		Pressure Drop: 17.0 in. w.c.								
		Specific Gravity: 0.60								
		Tube Size (in.)								
Nominal:	K & L:	¼	⅜	½	⅝	¾	1	1¼	1½	2
	ACR:	⅜	½	⅝	¾	⅞	1½	1¾	—	—
Outside:		0.375	0.500	0.625	0.750	0.875	1.125	1.375	1.625	2.125
Inside: <sup>°</sup>		0.305	0.402	0.527	0.652	0.745	0.995	1.245	1.481	1.959
Length (ft)		Capacity in Cubic Feet of Gas per Hour								
10	190	391	796	1,390	1,970	4,220	7,590	12,000	24,900	
20	130	269	547	956	1,360	2,900	5,220	8,230	17,100	
30	105	216	439	768	1,090	2,330	4,190	6,610	13,800	
40	90	185	376	657	932	1,990	3,590	5,650	11,800	
50	79	164	333	582	826	1,770	3,180	5,010	10,400	
60	72	148	302	528	749	1,600	2,880	4,540	9,460	
70	66	137	278	486	689	1,470	2,650	4,180	8,700	
80	62	127	258	452	641	1,370	2,460	3,890	8,090	
90	58	119	243	424	601	1,280	2,310	3,650	7,590	
100	55	113	229	400	568	1,210	2,180	3,440	7,170	
125	48	100	203	355	503	1,080	1,940	3,050	6,360	
150	44	90	184	321	456	974	1,750	2,770	5,760	
175	40	83	169	296	420	896	1,610	2,540	5,300	
200	38	77	157	275	390	834	1,500	2,370	4,930	
250	33	69	140	244	346	739	1,330	2,100	4,370	
300	30	62	126	221	313	670	1,210	1,900	3,960	
350	28	57	116	203	288	616	1,110	1,750	3,640	
400	26	53	108	189	268	573	1,030	1,630	3,390	
450	24	50	102	177	252	538	968	1,530	3,180	
500	23	47	96	168	238	508	914	1,440	3,000	
550	22	45	91	159	226	482	868	1,370	2,850	
600	21	43	87	152	215	460	829	1,310	2,720	
650	20	41	83	145	206	441	793	1,250	2,610	
700	19	39	80	140	198	423	762	1,200	2,500	
750	18	38	77	135	191	408	734	1,160	2,410	
800	18	37	74	130	184	394	709	1,120	2,330	
850	17	35	72	126	178	381	686	1,080	2,250	
900	17	34	70	122	173	370	665	1,050	2,180	
950	16	33	68	118	168	359	646	1,020	2,120	
1,000	16	32	66	115	163	349	628	991	2,060	
1,100	15	31	63	109	155	332	597	941	1,960	
1,200	14	29	60	104	148	316	569	898	1,870	
1,300	14	28	57	100	142	303	545	860	1,790	
1,400	13	27	55	96	136	291	524	826	1,720	
1,500	13	26	53	93	131	280	505	796	1,660	
1,600	12	25	51	89	127	271	487	768	1,600	
1,700	12	24	49	86	123	262	472	744	1,550	
1,800	11	24	48	84	119	254	457	721	1,500	
1,900	11	23	47	81	115	247	444	700	1,460	
2,000	11	22	45	79	112	240	432	681	1,420	

Note: All table entries are rounded to 3 significant digits.

<sup>°</sup>Table capacities are based on Type K copper tubing inside diameter (shown), which has the smallest inside diameter of the copper tubing products.



**Table 6.2(j) Semirigid Copper Tubing**

		Gas: Natural								
		Inlet Pressure: 2.0 psi								
		Pressure Drop: 1.0 psi								
		Specific Gravity: 0.60								
		Tube Size (in.)								
Nominal:	K & L:	¼	⅜	½	⅝	¾	1	1¼	1½	2
	ACR:	⅜	½	⅝	¾	⅞	1½	1¾	—	—
Outside:		0.375	0.500	0.625	0.750	0.875	1.125	1.375	1.625	2.125
Inside: <sup>c</sup>		0.305	0.402	0.527	0.652	0.745	0.995	1.245	1.481	1.959
Length (ft)		Capacity in Cubic Feet of Gas per Hour								
10	245	506	1,030	1,800	2,550	5,450	9,820	15,500	32,200	
20	169	348	708	1,240	1,760	3,750	6,750	10,600	22,200	
30	135	279	568	993	1,410	3,010	5,420	8,550	17,800	
40	116	239	486	850	1,210	2,580	4,640	7,310	15,200	
50	103	212	431	754	1,070	2,280	4,110	6,480	13,500	
60	93	192	391	683	969	2,070	3,730	5,870	12,200	
70	86	177	359	628	891	1,900	3,430	5,400	11,300	
80	80	164	334	584	829	1,770	3,190	5,030	10,500	
90	75	154	314	548	778	1,660	2,990	4,720	9,820	
100	71	146	296	518	735	1,570	2,830	4,450	9,280	
125	63	129	263	459	651	1,390	2,500	3,950	8,220	
150	57	117	238	416	590	1,260	2,270	3,580	7,450	
175	52	108	219	383	543	1,160	2,090	3,290	6,850	
200	49	100	204	356	505	1,080	1,940	3,060	6,380	
250	43	89	181	315	448	956	1,720	2,710	5,650	
300	39	80	164	286	406	866	1,560	2,460	5,120	
350	36	74	150	263	373	797	1,430	2,260	4,710	
400	33	69	140	245	347	741	1,330	2,100	4,380	
450	31	65	131	230	326	696	1,250	1,970	4,110	
500	30	61	124	217	308	657	1,180	1,870	3,880	
550	28	58	118	206	292	624	1,120	1,770	3,690	
600	27	55	112	196	279	595	1,070	1,690	3,520	
650	26	53	108	188	267	570	1,030	1,620	3,370	
700	25	51	103	181	256	548	986	1,550	3,240	
750	24	49	100	174	247	528	950	1,500	3,120	
800	23	47	96	168	239	510	917	1,450	3,010	
850	22	46	93	163	231	493	888	1,400	2,920	
900	22	44	90	158	224	478	861	1,360	2,830	
950	21	43	88	153	217	464	836	1,320	2,740	
1,000	20	42	85	149	211	452	813	1,280	2,670	
1,100	19	40	81	142	201	429	772	1,220	2,540	
1,200	18	38	77	135	192	409	737	1,160	2,420	
1,300	18	36	74	129	183	392	705	1,110	2,320	
1,400	17	35	71	124	176	376	678	1,070	2,230	
1,500	16	34	68	120	170	363	653	1,030	2,140	
1,600	16	33	66	116	164	350	630	994	2,070	
1,700	15	31	64	112	159	339	610	962	2,000	
1,800	15	30	62	108	154	329	592	933	1,940	
1,900	14	30	60	105	149	319	575	906	1,890	
2,000	14	29	59	102	145	310	559	881	1,830	

Note: All table entries are rounded to 3 significant digits.

<sup>c</sup>Table capacities are based on Type K copper tubing inside diameter (shown), which has the smallest inside diameter of the copper tubing products.



**Table 6.2(k) Semirigid Copper Tubing**

		Gas: Natural								
		Inlet Pressure: 2.0 psi								
		Pressure Drop: 1.5 psi								
		Specific Gravity: 0.60								
<b>INTENDED USE: Pipe Sizing Between Point of Delivery and the House Line Regulator. Total Load Supplied by a Single House Line Regulator Not Exceeding 150 Cubic Feet per Hour.*</b>										
Nominal:	K & L:	¼	⅜	½	⅝	¾	1	1¼	1½	2
	ACR:	⅜	½	⅝	¾	⅞	1⅛	1⅜	—	—
Outside:		0.375	0.500	0.625	0.750	0.875	1.125	1.375	1.625	2.125
Inside:†		0.305	0.402	0.527	0.652	0.745	0.995	1.245	1.481	1.959
Length (ft)		Capacity in Cubic Feet of Gas per Hour								
10	303	625	1,270	2,220	3,150	6,740	12,100	19,100	39,800	
20	208	430	874	1,530	2,170	4,630	8,330	13,100	27,400	
30	167	345	702	1,230	1,740	3,720	6,690	10,600	22,000	
40	143	295	601	1,050	1,490	3,180	5,730	9,030	18,800	
50	127	262	532	931	1,320	2,820	5,080	8,000	16,700	
60	115	237	482	843	1,200	2,560	4,600	7,250	15,100	
70	106	218	444	776	1,100	2,350	4,230	6,670	13,900	
80	98	203	413	722	1,020	2,190	3,940	6,210	12,900	
90	92	190	387	677	961	2,050	3,690	5,820	12,100	
100	87	180	366	640	907	1,940	3,490	5,500	11,500	
125	77	159	324	567	804	1,720	3,090	4,880	10,200	
150	70	144	294	514	729	1,560	2,800	4,420	9,200	
175	64	133	270	472	670	1,430	2,580	4,060	8,460	
200	60	124	252	440	624	1,330	2,400	3,780	7,870	
250	53	110	223	390	553	1,180	2,130	3,350	6,980	
300	48	99	202	353	501	1,070	1,930	3,040	6,320	
350	44	91	186	325	461	984	1,770	2,790	5,820	
400	41	85	173	302	429	916	1,650	2,600	5,410	
450	39	80	162	283	402	859	1,550	2,440	5,080	
500	36	75	153	268	380	811	1,460	2,300	4,800	
550	35	72	146	254	361	771	1,390	2,190	4,560	
600	33	68	139	243	344	735	1,320	2,090	4,350	
650	32	65	133	232	330	704	1,270	2,000	4,160	
700	30	63	128	223	317	676	1,220	1,920	4,000	
750	29	60	123	215	305	652	1,170	1,850	3,850	
800	28	58	119	208	295	629	1,130	1,790	3,720	
850	27	57	115	201	285	609	1,100	1,730	3,600	
900	27	55	111	195	276	590	1,060	1,680	3,490	
950	26	53	108	189	268	573	1,030	1,630	3,390	
1,000	25	52	105	184	261	558	1,000	1,580	3,300	
1,100	24	49	100	175	248	530	954	1,500	3,130	
1,200	23	47	95	167	237	505	910	1,430	2,990	
1,300	22	45	91	160	227	484	871	1,370	2,860	
1,400	21	43	88	153	218	465	837	1,320	2,750	
1,500	20	42	85	148	210	448	806	1,270	2,650	
1,600	19	40	82	143	202	432	779	1,230	2,560	
1,700	19	39	79	138	196	419	753	1,190	2,470	
1,800	18	38	77	134	190	406	731	1,150	2,400	
1,900	18	37	74	130	184	394	709	1,120	2,330	
2,000	17	36	72	126	179	383	690	1,090	2,270	

Note: All table entries are rounded to 3 significant digits.

\*When this table is used to size the tubing upstream of a line pressure regulator, the pipe or tubing downstream of the line pressure regulator shall be sized using a pressure drop no greater than 1 in. w.c.

†Table capacities are based on Type K copper tubing inside diameter (shown), which has the smallest inside diameter of the copper tubing products.

**Table 6.2(1) Semirigid Copper Tubing**

		Gas: Natural								
		Inlet Pressure: 5.0 psi								
		Pressure Drop: 3.5 psi								
		Specific Gravity: 0.60								
		Tube Size (in.)								
Nominal:	K & L:	¼	⅜	½	⅝	¾	1	1¼	1½	2
	ACR:	⅜	½	⅝	¾	⅞	1½	1¾	—	—
Outside:		0.375	0.500	0.625	0.750	0.875	1.125	1.375	1.625	2.125
Inside: <sup>o</sup>		0.305	0.402	0.527	0.652	0.745	0.995	1.245	1.481	1.959
Length (ft)		Capacity in Cubic Feet of Gas per Hour								
10	511	1,050	2,140	3,750	5,320	11,400	20,400	32,200	67,100	
20	351	724	1,470	2,580	3,650	7,800	14,000	22,200	46,100	
30	282	582	1,180	2,070	2,930	6,270	11,300	17,800	37,000	
40	241	498	1,010	1,770	2,510	5,360	9,660	15,200	31,700	
50	214	441	898	1,570	2,230	4,750	8,560	13,500	28,100	
60	194	400	813	1,420	2,020	4,310	7,750	12,200	25,500	
70	178	368	748	1,310	1,860	3,960	7,130	11,200	23,400	
80	166	342	696	1,220	1,730	3,690	6,640	10,500	21,800	
90	156	321	653	1,140	1,620	3,460	6,230	9,820	20,400	
100	147	303	617	1,080	1,530	3,270	5,880	9,270	19,300	
125	130	269	547	955	1,360	2,900	5,210	8,220	17,100	
150	118	243	495	866	1,230	2,620	4,720	7,450	15,500	
175	109	224	456	796	1,130	2,410	4,350	6,850	14,300	
200	101	208	424	741	1,050	2,250	4,040	6,370	13,300	
250	90	185	376	657	932	1,990	3,580	5,650	11,800	
300	81	167	340	595	844	1,800	3,250	5,120	10,700	
350	75	154	313	547	777	1,660	2,990	4,710	9,810	
400	69	143	291	509	722	1,540	2,780	4,380	9,120	
450	65	134	273	478	678	1,450	2,610	4,110	8,560	
500	62	127	258	451	640	1,370	2,460	3,880	8,090	
550	58	121	245	429	608	1,300	2,340	3,690	7,680	
600	56	115	234	409	580	1,240	2,230	3,520	7,330	
650	53	110	224	392	556	1,190	2,140	3,370	7,020	
700	51	106	215	376	534	1,140	2,050	3,240	6,740	
750	49	102	207	362	514	1,100	1,980	3,120	6,490	
800	48	98	200	350	497	1,060	1,910	3,010	6,270	
850	46	95	194	339	481	1,030	1,850	2,910	6,070	
900	45	92	188	328	466	1,000	1,790	2,820	5,880	
950	43	90	182	319	452	967	1,740	2,740	5,710	
1,000	42	87	177	310	440	940	1,690	2,670	5,560	
1,100	40	83	169	295	418	893	1,610	2,530	5,280	
1,200	38	79	161	281	399	852	1,530	2,420	5,040	
1,300	37	76	154	269	382	816	1,470	2,320	4,820	
1,400	35	73	148	259	367	784	1,410	2,220	4,630	
1,500	34	70	143	249	353	755	1,360	2,140	4,460	
1,600	33	68	138	241	341	729	1,310	2,070	4,310	
1,700	32	65	133	233	330	705	1,270	2,000	4,170	
1,800	31	63	129	226	320	684	1,230	1,940	4,040	
1,900	30	62	125	219	311	664	1,200	1,890	3,930	
2,000	29	60	122	213	302	646	1,160	1,830	3,820	

Note: All table entries are rounded to 3 significant digits.

<sup>o</sup>Table capacities are based on Type K copper tubing inside diameter (shown), which has the smallest inside diameter of the copper tubing products.

**Table 6.2(m) Corrugated Stainless Steel Tubing (CSST)**

														Gas:	Natural				
														Inlet Pressure:	Less than 2 psi				
														Pressure Drop:	0.5 in. w.c.				
														Specific Gravity:	0.60				
														Tube Size (EHD)					
Flow Designation:	13	15	18	19	23	25	30	31	37	39	46	48	60	62					
Length (ft)	Capacity in Cubic Feet of Gas per Hour																		
5	46	63	115	134	225	270	471	546	895	1,037	1,790	2,070	3,660	4,140					
10	32	44	82	95	161	192	330	383	639	746	1,260	1,470	2,600	2,930					
15	25	35	66	77	132	157	267	310	524	615	1,030	1,200	2,140	2,400					
20	22	31	58	67	116	137	231	269	456	536	888	1,050	1,850	2,080					
25	19	27	52	60	104	122	206	240	409	482	793	936	1,660	1,860					
30	18	25	47	55	96	112	188	218	374	442	723	856	1,520	1,700					
40	15	21	41	47	83	97	162	188	325	386	625	742	1,320	1,470					
50	13	19	37	42	75	87	144	168	292	347	559	665	1,180	1,320					
60	12	17	34	38	68	80	131	153	267	318	509	608	1,080	1,200					
70	11	16	31	36	63	74	121	141	248	295	471	563	1,000	1,110					
80	10	15	29	33	60	69	113	132	232	277	440	527	940	1,040					
90	10	14	28	32	57	65	107	125	219	262	415	498	887	983					
100	9	13	26	30	54	62	101	118	208	249	393	472	843	933					
150	7	10	20	23	42	48	78	91	171	205	320	387	691	762					
200	6	9	18	21	38	44	71	82	148	179	277	336	600	661					
250	5	8	16	19	34	39	63	74	133	161	247	301	538	591					
300	5	7	15	17	32	36	57	67	95	148	226	275	492	540					

EHD: Equivalent hydraulic diameter. A measure of the relative hydraulic efficiency between different tubing sizes. The greater the value of EHD, the greater the gas capacity of the tubing.

Notes:

(1) Table includes losses for four 90 degree bends and two end fittings. Tubing runs with larger numbers of bends and/or fittings shall be increased by an equivalent length of tubing to the following equation:  $L = 1.3n$ , where  $L$  is additional length (ft) of tubing and  $n$  is the number of additional fittings and/or bends.

(2) All table entries are rounded to 3 significant digits.

**Table 6.2(n) Corrugated Stainless Steel Tubing (CSST)**

													Gas:	Natural		
													Inlet Pressure:	Less than 2 psi		
													Pressure Drop:	3.0 in. w.c.		
													Specific Gravity:	0.60		
													Tube Size (EHD)			
Flow Designation:	13	15	18	19	23	25	30	31	37	46	48	60	62			
Length (ft)	Capacity in Cubic Feet of Gas per Hour															
5	120	160	277	327	529	649	1,180	1,370	2,140	4,430	5,010	8,800	10,100			
10	83	112	197	231	380	462	828	958	1,530	3,200	3,560	6,270	7,160			
15	67	90	161	189	313	379	673	778	1,250	2,540	2,910	5,140	5,850			
20	57	78	140	164	273	329	580	672	1,090	2,200	2,530	4,460	5,070			
25	51	69	125	147	245	295	518	599	978	1,960	2,270	4,000	4,540			
30	46	63	115	134	225	270	471	546	895	1,790	2,070	3,660	4,140			
40	39	54	100	116	196	234	407	471	778	1,550	1,800	3,180	3,590			
50	35	48	89	104	176	210	363	421	698	1,380	1,610	2,850	3,210			
60	32	44	82	95	161	192	330	383	639	1,260	1,470	2,600	2,930			
70	29	41	76	88	150	178	306	355	593	1,170	1,360	2,420	2,720			
80	27	38	71	82	141	167	285	331	555	1,090	1,280	2,260	2,540			
90	26	36	67	77	133	157	268	311	524	1,030	1,200	2,140	2,400			
100	24	34	63	73	126	149	254	295	498	974	1,140	2,030	2,280			
150	19	27	52	60	104	122	206	240	409	793	936	1,660	1,860			
200	17	23	45	52	91	106	178	207	355	686	812	1,440	1,610			
250	15	21	40	46	82	95	159	184	319	613	728	1,290	1,440			
300	13	19	37	42	75	87	144	168	234	559	665	1,180	1,320			

EHD: Equivalent hydraulic diameter. A measure of the relative hydraulic efficiency between different tubing sizes. The greater the value of EHD, the greater the gas capacity of the tubing.

Notes:

(1) Table includes losses for four 90 degree bends and two end fittings. Tubing runs with larger numbers of bends and/or fittings shall be increased by an equivalent length of tubing to the following equation:  $L = 1.3n$ , where  $L$  is additional length (ft) of tubing and  $n$  is the number of additional fittings and/or bends.

(2) All table entries are rounded to 3 significant digits.



**Table 6.2(o) Corrugated Stainless Steel Tubing (CSST)**

													Gas:	Natural		
													Inlet Pressure:	Less than 2 psi		
													Pressure Drop:	6.0 in. w.c.		
													Specific Gravity:	0.60		
													Tube Size (EHD)			
Flow Designation:	13	15	18	19	23	25	30	31	37	46	48	60	62			
Length (ft)	Capacity in Cubic Feet of Gas per Hour															
5	173	229	389	461	737	911	1,690	1,950	3,000	6,280	7,050	12,400	14,260			
10	120	160	277	327	529	649	1,180	1,370	2,140	4,430	5,010	8,800	10,100			
15	96	130	227	267	436	532	960	1,110	1,760	3,610	4,100	7,210	8,260			
20	83	112	197	231	380	462	828	958	1,530	3,120	3,560	6,270	7,160			
25	74	99	176	207	342	414	739	855	1,370	2,790	3,190	5,620	6,400			
30	67	90	161	189	313	379	673	778	1,250	2,540	2,910	5,140	5,850			
40	57	78	140	164	273	329	580	672	1,090	2,200	2,530	4,460	5,070			
50	51	69	125	147	245	295	518	599	978	1,960	2,270	4,000	4,540			
60	46	63	115	134	225	270	471	546	895	1,790	2,070	3,660	4,140			
70	42	58	106	124	209	250	435	505	830	1,660	1,920	3,390	3,840			
80	39	54	100	116	196	234	407	471	778	1,550	1,800	3,180	3,590			
90	37	51	94	109	185	221	383	444	735	1,460	1,700	3,000	3,390			
100	35	48	89	104	176	210	363	421	698	1,380	1,610	2,850	3,210			
150	28	39	73	85	145	172	294	342	573	1,130	1,320	2,340	2,630			
200	24	34	63	73	126	149	254	295	498	974	1,140	2,030	2,280			
250	21	30	57	66	114	134	226	263	447	870	1,020	1,820	2,040			
300	19	27	52	60	104	122	206	240	409	793	936	1,660	1,860			

EHD: Equivalent hydraulic diameter. A measure of the relative hydraulic efficiency between different tubing sizes. The greater the value of EHD, the greater the gas capacity of the tubing.

Notes:

(1) Table includes losses for four 90 degree bends and two end fittings. Tubing runs with larger numbers of bends and/or fittings shall be increased by an equivalent length of tubing to the following equation:  $L = 1.3n$ , where  $L$  is additional length (ft) of tubing and  $n$  is the number of additional fittings and/or bends.

(2) All table entries are rounded to 3 significant digits.



**Table 6.2(p) Corrugated Stainless Steel Tubing (CSST)**

														Gas:	Natural				
														Inlet Pressure:	2.0 psi				
														Pressure Drop:	1.0 psi				
														Specific Gravity:	0.60				
														Tube Size (EHD)					
Flow Designation:	13	15	18	19	23	25	30	31	37	39	46	48	60	62					
Length (ft)	Capacity in Cubic Feet of Gas per Hour																		
10	270	353	587	700	1,100	1,370	2,590	2,990	4,510	5,037	9,600	10,700	18,600	21,600					
25	166	220	374	444	709	876	1,620	1,870	2,890	3,258	6,040	6,780	11,900	13,700					
30	151	200	342	405	650	801	1,480	1,700	2,640	2,987	5,510	6,200	10,900	12,500					
40	129	172	297	351	567	696	1,270	1,470	2,300	2,605	4,760	5,380	9,440	10,900					
50	115	154	266	314	510	624	1,140	1,310	2,060	2,343	4,260	4,820	8,470	9,720					
75	93	124	218	257	420	512	922	1,070	1,690	1,932	3,470	3,950	6,940	7,940					
80	89	120	211	249	407	496	892	1,030	1,640	1,874	3,360	3,820	6,730	7,690					
100	79	107	189	222	366	445	795	920	1,470	1,685	3,000	3,420	6,030	6,880					
150	64	87	155	182	302	364	646	748	1,210	1,389	2,440	2,800	4,940	5,620					
200	55	75	135	157	263	317	557	645	1,050	1,212	2,110	2,430	4,290	4,870					
250	49	67	121	141	236	284	497	576	941	1,090	1,890	2,180	3,850	4,360					
300	44	61	110	129	217	260	453	525	862	999	1,720	1,990	3,520	3,980					
400	38	52	96	111	189	225	390	453	749	871	1,490	1,730	3,060	3,450					
500	34	46	86	100	170	202	348	404	552	783	1,330	1,550	2,740	3,090					

EHD: Equivalent hydraulic diameter. A measure of the relative hydraulic efficiency between different tubing sizes. The greater the value of EHD, the greater the gas capacity of the tubing.

Notes:

(1) Table does not include effect of pressure drop across the line regulator. Where regulator loss exceeds  $\frac{3}{4}$  psi, do not use this table. Consult with regulator manufacturer for pressure drops and capacity factors. Pressure drops across a regulator may vary with flow rate.

(2) CAUTION: Capacities shown in table may exceed maximum capacity for a selected regulator. Consult with regulator or tubing manufacturer for guidance.

(3) Table includes losses for four 90 degree bends and two end fittings. Tubing runs with larger number of bends and/or fittings shall be increased by an equivalent length of tubing according to the following equation:  $L = 1.3n$ , where  $L$  is additional length (ft) of tubing and  $n$  is the number of additional fittings and/or bends.

(4) All table entries are rounded to 3 significant digits.

**Table 6.2(q) Corrugated Stainless Steel Tubing (CSST)**

														Gas:	Natural				
														Inlet Pressure:	5.0 psi				
														Pressure Drop:	3.5 psi				
														Specific Gravity:	0.60				
														Tube Size (EHD)					
Flow Designation:	13	15	18	19	23	25	30	31	37	39	46	48	60	62					
Length (ft)	Capacity in Cubic Feet of Gas per Hour																		
10	523	674	1,080	1,300	2,000	2,530	4,920	5,660	8,300	9,140	18,100	19,800	34,400	40,400					
25	322	420	691	827	1,290	1,620	3,080	3,540	5,310	5,911	11,400	12,600	22,000	25,600					
30	292	382	632	755	1,180	1,480	2,800	3,230	4,860	5,420	10,400	11,500	20,100	23,400					
40	251	329	549	654	1,030	1,280	2,420	2,790	4,230	4,727	8,970	10,000	17,400	20,200					
50	223	293	492	586	926	1,150	2,160	2,490	3,790	4,251	8,020	8,930	15,600	18,100					
75	180	238	403	479	763	944	1,750	2,020	3,110	3,506	6,530	7,320	12,800	14,800					
80	174	230	391	463	740	915	1,690	1,960	3,020	3,400	6,320	7,090	12,400	14,300					
100	154	205	350	415	665	820	1,510	1,740	2,710	3,057	5,650	6,350	11,100	12,800					
150	124	166	287	339	548	672	1,230	1,420	2,220	2,521	4,600	5,200	9,130	10,500					
200	107	143	249	294	478	584	1,060	1,220	1,930	2,199	3,980	4,510	7,930	9,090					
250	95	128	223	263	430	524	945	1,090	1,730	1,977	3,550	4,040	7,110	8,140					
300	86	116	204	240	394	479	860	995	1,590	1,813	3,240	3,690	6,500	7,430					
400	74	100	177	208	343	416	742	858	1,380	1,581	2,800	3,210	5,650	6,440					
500	66	89	159	186	309	373	662	766	1,040	1,422	2,500	2,870	5,060	5,760					

EHD: Equivalent hydraulic diameter. A measure of the relative hydraulic efficiency between different tubing sizes. The greater the value of EHD, the greater the gas capacity of the tubing.

Notes:

(1) Table does not include effect of pressure drop across line regulator. Where regulator loss exceeds 1 psi, do not use this table. Consult with regulator manufacturer for pressure drops and capacity factors. Pressure drop across regulator may vary with the flow rate.

(2) CAUTION: Capacities shown in table may exceed maximum capacity of selected regulator. Consult with tubing manufacturer for guidance.

(3) Table includes losses for four 90 degree bends and two end fittings. Tubing runs with larger numbers of bends and/or fittings shall be increased by an equivalent length of tubing to the following equation:  $L = 1.3n$ , where  $L$  is additional length (ft) of tubing and  $n$  is the number of additional fittings and/or bends.

(4) All table entries are rounded to 3 significant digits.



**Table 6.2(r) Polyethylene Plastic Pipe**

		Gas: Natural				
		Inlet Pressure: Less than 2 psi				
		Pressure Drop: 0.3 in. w.c.				
		Specific Gravity: 0.60				
		Pipe Size (in.)				
Nominal OD:	½	¾	1	1¼	1½	2
Designation:	SDR 9.33	SDR 11.0	SDR 11.00	SDR 10.00	SDR 11.00	SDR 11.00
Actual ID:	0.660	0.860	1.077	1.328	1.554	1.943
Length (ft)	Capacity in Cubic Feet of Gas per Hour					
10	153	305	551	955	1,440	2,590
20	105	210	379	656	991	1,780
30	84	169	304	527	796	1,430
40	72	144	260	451	681	1,220
50	64	128	231	400	604	1,080
60	58	116	209	362	547	983
70	53	107	192	333	503	904
80	50	99	179	310	468	841
90	46	93	168	291	439	789
100	44	88	159	275	415	745
125	39	78	141	243	368	661
150	35	71	127	221	333	598
175	32	65	117	203	306	551
200	30	60	109	189	285	512
250	27	54	97	167	253	454
300	24	48	88	152	229	411
350	22	45	81	139	211	378
400	21	42	75	130	196	352
450	19	39	70	122	184	330
500	18	37	66	115	174	312

Note: All table entries are rounded to 3 significant digits.



**Table 6.2(s) Polyethylene Plastic Pipe**

		Gas: Natural				
		Inlet Pressure: Less than 2 psi				
		Pressure Drop: 0.5 in. w.c.				
		Specific Gravity: 0.60				
		Pipe Size (in.)				
Nominal OD:	½	¾	1	1¼	1½	2
Designation:	SDR 9.33	SDR 11.0	SDR 11.00	SDR 10.00	SDR 11.00	SDR 11.00
Actual ID:	0.660	0.860	1.077	1.328	1.554	1.943
Length (ft)	Capacity in Cubic Feet of Gas per Hour					
10	201	403	726	1,260	1,900	3,410
20	138	277	499	865	1,310	2,350
30	111	222	401	695	1,050	1,880
40	95	190	343	594	898	1,610
50	84	169	304	527	796	1,430
60	76	153	276	477	721	1,300
70	70	140	254	439	663	1,190
80	65	131	236	409	617	1,110
90	61	123	221	383	579	1,040
100	58	116	209	362	547	983
125	51	103	185	321	485	871
150	46	93	168	291	439	789
175	43	86	154	268	404	726
200	40	80	144	249	376	675
250	35	71	127	221	333	598
300	32	64	115	200	302	542
350	29	59	106	184	278	499
400	27	55	99	171	258	464
450	26	51	93	160	242	435
500	24	48	88	152	229	411

Note: All table entries are rounded to 3 significant digits.

**Table 6.2(t) Polyethylene Plastic Pipe**

		Gas: Natural				
		Inlet Pressure: 2.0 psi				
		Pressure Drop: 1.0 psi				
		Specific Gravity: 0.60				
		Pipe Size (in.)				
Nominal OD:	½	¾	1	1¼	1½	2
Designation:	SDR 9.33	SDR 11.0	SDR 11.00	SDR 10.00	SDR 11.00	SDR 11.00
Actual ID:	0.660	0.860	1.077	1.328	1.554	1.943
Length (ft)	Capacity in Cubic Feet of Gas per Hour					
10	1,860	3,720	6,710	11,600	17,600	31,600
20	1,280	2,560	4,610	7,990	12,100	21,700
30	1,030	2,050	3,710	6,420	9,690	17,400
40	878	1,760	3,170	5,490	8,300	14,900
50	778	1,560	2,810	4,870	7,350	13,200
60	705	1,410	2,550	4,410	6,660	12,000
70	649	1,300	2,340	4,060	6,130	11,000
80	603	1,210	2,180	3,780	5,700	10,200
90	566	1,130	2,050	3,540	5,350	9,610
100	535	1,070	1,930	3,350	5,050	9,080
125	474	949	1,710	2,970	4,480	8,050
150	429	860	1,550	2,690	4,060	7,290
175	395	791	1,430	2,470	3,730	6,710
200	368	736	1,330	2,300	3,470	6,240
250	326	652	1,180	2,040	3,080	5,530
300	295	591	1,070	1,850	2,790	5,010
350	272	544	981	1,700	2,570	4,610
400	253	506	913	1,580	2,390	4,290
450	237	475	856	1,480	2,240	4,020
500	224	448	809	1,400	2,120	3,800
550	213	426	768	1,330	2,010	3,610
600	203	406	733	1,270	1,920	3,440
650	194	389	702	1,220	1,840	3,300
700	187	374	674	1,170	1,760	3,170
750	180	360	649	1,130	1,700	3,050
800	174	348	627	1,090	1,640	2,950
850	168	336	607	1,050	1,590	2,850
900	163	326	588	1,020	1,540	2,770
950	158	317	572	990	1,500	2,690
1,000	154	308	556	963	1,450	2,610
1,100	146	293	528	915	1,380	2,480
1,200	139	279	504	873	1,320	2,370
1,300	134	267	482	836	1,260	2,270
1,400	128	257	463	803	1,210	2,180
1,500	124	247	446	773	1,170	2,100
1,600	119	239	431	747	1,130	2,030
1,700	115	231	417	723	1,090	1,960
1,800	112	224	404	701	1,060	1,900
1,900	109	218	393	680	1,030	1,850
2,000	106	212	382	662	1,000	1,800

Note: All table entries are rounded to 3 significant digits.

**Table 6.2(u) Polyethylene Plastic Tubing**

	Gas: Natural	
	Inlet Pressure: Less than 2.0 psi	
	Pressure Drop: 0.3 in. w.c.	
	Specific Gravity: 0.60	
	Plastic Tubing Size (CTS) (in.)	
Nominal OD:	½	¾
Designation:	SDR 7.00	SDR 11.00
Actual ID:	0.445	0.927
Length (ft)	Capacity in Cubic Feet of Gas per Hour	
10	54	372
20	37	256
30	30	205
40	26	176
50	23	156
60	21	141
70	19	130
80	18	121
90	17	113
100	16	107
125	14	95
150	13	86
175	12	79
200	11	74
225	10	69
250	NA	65
275	NA	62
300	NA	59
350	NA	54
400	NA	51
450	NA	47
500	NA	45

CTS: Copper tube size.

NA: A flow of less than 10 cfh.

Note: All table entries are rounded to 3 significant digits.

**Table 6.2(v) Polyethylene Plastic Tubing**

	Gas: Natural	
	Inlet Pressure: Less than 2.0 psi	
	Pressure Drop: 0.5 in. w.c.	
	Specific Gravity: 0.60	
	Plastic Tubing Size (CTS) (in.)	
Nominal OD:	½	¾
Designation:	SDR 7.00	SDR 11.00
Actual ID:	0.445	0.927
Length (ft)	Capacity in Cubic Feet of Gas per Hour	
10	72	490
20	49	337
30	39	271
40	34	232
50	30	205
60	27	186
70	25	171
80	23	159
90	22	149
100	21	141
125	18	125
150	17	113
175	15	104
200	14	97
225	13	91
250	12	86
275	11	82
300	11	78
350	10	72
400	NA	67
450	NA	63
500	NA	59

CTS: Copper tube size.

NA: A flow of less than 10 cfh.

Note: All table entries are rounded to 3 significant digits.

**Table 6.3(a) Schedule 40 Metallic Pipe**

										Gas:	Undiluted Propane
										Inlet Pressure:	10.0 psi
										Pressure Drop:	1.0 psi
										Specific Gravity:	1.50
<b>INTENDED USE: Pipe Sizing Between First-Stage (High-Pressure) Regulator and Second-Stage (Low-Pressure) Regulator.</b>											
<b>Pipe Size (in.)</b>											
Nominal Inside:	½	¾	1	1¼	1½	2	2½	3	4		
Actual:	0.622	0.824	1.049	1.380	1.610	2.067	2.469	3.068	4.026		
Length (ft)	Capacity in Thousands of Btu per Hour										
10	3,320	6,950	13,100	26,900	40,300	77,600	124,000	219,000	446,000		
20	2,280	4,780	9,000	18,500	27,700	53,300	85,000	150,000	306,000		
30	1,830	3,840	7,220	14,800	22,200	42,800	68,200	121,000	246,000		
40	1,570	3,280	6,180	12,700	19,000	36,600	58,400	103,000	211,000		
50	1,390	2,910	5,480	11,300	16,900	32,500	51,700	91,500	187,000		
60	1,260	2,640	4,970	10,200	15,300	29,400	46,900	82,900	169,000		
70	1,160	2,430	4,570	9,380	14,100	27,100	43,100	76,300	156,000		
80	1,080	2,260	4,250	8,730	13,100	25,200	40,100	70,900	145,000		
90	1,010	2,120	3,990	8,190	12,300	23,600	37,700	66,600	136,000		
100	956	2,000	3,770	7,730	11,600	22,300	35,600	62,900	128,000		
125	848	1,770	3,340	6,850	10,300	19,800	31,500	55,700	114,000		
150	768	1,610	3,020	6,210	9,300	17,900	28,600	50,500	103,000		
175	706	1,480	2,780	5,710	8,560	16,500	26,300	46,500	94,700		
200	657	1,370	2,590	5,320	7,960	15,300	24,400	43,200	88,100		
250	582	1,220	2,290	4,710	7,060	13,600	21,700	38,300	78,100		
300	528	1,100	2,080	4,270	6,400	12,300	19,600	34,700	70,800		
350	486	1,020	1,910	3,930	5,880	11,300	18,100	31,900	65,100		
400	452	945	1,780	3,650	5,470	10,500	16,800	29,700	60,600		
450	424	886	1,670	3,430	5,140	9,890	15,800	27,900	56,800		
500	400	837	1,580	3,240	4,850	9,340	14,900	26,300	53,700		
550	380	795	1,500	3,070	4,610	8,870	14,100	25,000	51,000		
600	363	759	1,430	2,930	4,400	8,460	13,500	23,900	48,600		
650	347	726	1,370	2,810	4,210	8,110	12,900	22,800	46,600		
700	334	698	1,310	2,700	4,040	7,790	12,400	21,900	44,800		
750	321	672	1,270	2,600	3,900	7,500	12,000	21,100	43,100		
800	310	649	1,220	2,510	3,760	7,240	11,500	20,400	41,600		
850	300	628	1,180	2,430	3,640	7,010	11,200	19,800	40,300		
900	291	609	1,150	2,360	3,530	6,800	10,800	19,200	39,100		
950	283	592	1,110	2,290	3,430	6,600	10,500	18,600	37,900		
1,000	275	575	1,080	2,230	3,330	6,420	10,200	18,100	36,900		
1,100	261	546	1,030	2,110	3,170	6,100	9,720	17,200	35,000		
1,200	249	521	982	2,020	3,020	5,820	9,270	16,400	33,400		
1,300	239	499	940	1,930	2,890	5,570	8,880	15,700	32,000		
1,400	229	480	903	1,850	2,780	5,350	8,530	15,100	30,800		
1,500	221	462	870	1,790	2,680	5,160	8,220	14,500	29,600		
1,600	213	446	840	1,730	2,590	4,980	7,940	14,000	28,600		
1,700	206	432	813	1,670	2,500	4,820	7,680	13,600	27,700		
1,800	200	419	789	1,620	2,430	4,670	7,450	13,200	26,900		
1,900	194	407	766	1,570	2,360	4,540	7,230	12,800	26,100		
2,000	189	395	745	1,530	2,290	4,410	7,030	12,400	25,400		

Note: All table entries are rounded to 3 significant digits.

**Table 6.3(b) Schedule 40 Metallic Pipe**

		Gas:		Undiluted Propane					
		Inlet Pressure:		10.0 psi					
		Pressure Drop:		3.0 psi					
		Specific Gravity:		1.50					
INTENDED USE: Pipe Sizing Between First-Stage (High-Pressure) Regulator and Second-Stage (Low-Pressure) Regulator.									
Pipe Size (in.)									
Nominal Inside:	½	¾	1	1¼	1½	2	2½	3	4
Actual:	0.622	0.824	1.049	1.380	1.610	2.067	2.469	3.068	4.026
Length (ft)	Capacity in Thousands of Btu per Hour								
10	5,890	12,300	23,200	47,600	71,300	137,000	219,000	387,000	789,000
20	4,050	8,460	15,900	32,700	49,000	94,400	150,000	266,000	543,000
30	3,250	6,790	12,800	26,300	39,400	75,800	121,000	214,000	436,000
40	2,780	5,810	11,000	22,500	33,700	64,900	103,000	183,000	373,000
50	2,460	5,150	9,710	19,900	29,900	57,500	91,600	162,000	330,000
60	2,230	4,670	8,790	18,100	27,100	52,100	83,000	147,000	299,000
70	2,050	4,300	8,090	16,600	24,900	47,900	76,400	135,000	275,000
80	1,910	4,000	7,530	15,500	23,200	44,600	71,100	126,000	256,000
90	1,790	3,750	7,060	14,500	21,700	41,800	66,700	118,000	240,000
100	1,690	3,540	6,670	13,700	20,500	39,500	63,000	111,000	227,000
125	1,500	3,140	5,910	12,100	18,200	35,000	55,800	98,700	201,000
150	1,360	2,840	5,360	11,000	16,500	31,700	50,600	89,400	182,000
175	1,250	2,620	4,930	10,100	15,200	29,200	46,500	82,300	167,800
200	1,160	2,430	4,580	9,410	14,100	27,200	43,300	76,500	156,100
250	1,030	2,160	4,060	8,340	12,500	24,100	38,400	67,800	138,400
300	935	1,950	3,680	7,560	11,300	21,800	34,800	61,500	125,400
350	860	1,800	3,390	6,950	10,400	20,100	32,000	56,500	115,300
400	800	1,670	3,150	6,470	9,690	18,700	29,800	52,600	107,300
450	751	1,570	2,960	6,070	9,090	17,500	27,900	49,400	100,700
500	709	1,480	2,790	5,730	8,590	16,500	26,400	46,600	95,100
550	673	1,410	2,650	5,450	8,160	15,700	25,000	44,300	90,300
600	642	1,340	2,530	5,200	7,780	15,000	23,900	42,200	86,200
650	615	1,290	2,420	4,980	7,450	14,400	22,900	40,500	82,500
700	591	1,240	2,330	4,780	7,160	13,800	22,000	38,900	79,300
750	569	1,190	2,240	4,600	6,900	13,300	21,200	37,400	76,400
800	550	1,150	2,170	4,450	6,660	12,800	20,500	36,200	73,700
850	532	1,110	2,100	4,300	6,450	12,400	19,800	35,000	71,400
900	516	1,080	2,030	4,170	6,250	12,000	19,200	33,900	69,200
950	501	1,050	1,970	4,050	6,070	11,700	18,600	32,900	67,200
1,000	487	1,020	1,920	3,940	5,900	11,400	18,100	32,000	65,400
1,100	463	968	1,820	3,740	5,610	10,800	17,200	30,400	62,100
1,200	442	923	1,740	3,570	5,350	10,300	16,400	29,000	59,200
1,300	423	884	1,670	3,420	5,120	9,870	15,700	27,800	56,700
1,400	406	849	1,600	3,280	4,920	9,480	15,100	26,700	54,500
1,500	391	818	1,540	3,160	4,740	9,130	14,600	25,700	52,500
1,600	378	790	1,490	3,060	4,580	8,820	14,100	24,800	50,700
1,700	366	765	1,440	2,960	4,430	8,530	13,600	24,000	49,000
1,800	355	741	1,400	2,870	4,300	8,270	13,200	23,300	47,600
1,900	344	720	1,360	2,780	4,170	8,040	12,800	22,600	46,200
2,000	335	700	1,320	2,710	4,060	7,820	12,500	22,000	44,900

Note: All table entries are rounded to 3 significant digits.



**Table 6.3(c) Schedule 40 Metallic Pipe**

										Gas:	Undiluted Propane
										Inlet Pressure:	2.0 psi
										Pressure Drop:	1.0 psi
										Specific Gravity:	1.50
<b>INTENDED USE: Pipe Sizing Between 2 psig Service and Line Pressure Regulator.</b>											
Nominal:	Pipe Size (in.)										
	½	¾	1	1¼	1½	2	2½	3	4		
Actual ID:	0.622	0.824	1.049	1.380	1.610	2.067	2.469	3.068	4.026		
Length (ft)	Capacity in Thousands of Btu per Hour										
10	2,680	5,590	10,500	21,600	32,400	62,400	99,500	176,000	359,000		
20	1,840	3,850	7,240	14,900	22,300	42,900	68,400	121,000	247,000		
30	1,480	3,090	5,820	11,900	17,900	34,500	54,900	97,100	198,000		
40	1,260	2,640	4,980	10,200	15,300	29,500	47,000	83,100	170,000		
50	1,120	2,340	4,410	9,060	13,600	26,100	41,700	73,700	150,000		
60	1,010	2,120	4,000	8,210	12,300	23,700	37,700	66,700	136,000		
70	934	1,950	3,680	7,550	11,300	21,800	34,700	61,400	125,000		
80	869	1,820	3,420	7,020	10,500	20,300	32,300	57,100	116,000		
90	815	1,700	3,210	6,590	9,880	19,000	30,300	53,600	109,000		
100	770	1,610	3,030	6,230	9,330	18,000	28,600	50,600	103,000		
125	682	1,430	2,690	5,520	8,270	15,900	25,400	44,900	91,500		
150	618	1,290	2,440	5,000	7,490	14,400	23,000	40,700	82,900		
175	569	1,190	2,240	4,600	6,890	13,300	21,200	37,400	76,300		
200	529	1,110	2,080	4,280	6,410	12,300	19,700	34,800	71,000		
250	469	981	1,850	3,790	5,680	10,900	17,400	30,800	62,900		
300	425	889	1,670	3,440	5,150	9,920	15,800	27,900	57,000		
350	391	817	1,540	3,160	4,740	9,120	14,500	25,700	52,400		
400	364	760	1,430	2,940	4,410	8,490	13,500	23,900	48,800		
450	341	714	1,340	2,760	4,130	7,960	12,700	22,400	45,800		
500	322	674	1,270	2,610	3,910	7,520	12,000	21,200	43,200		
550	306	640	1,210	2,480	3,710	7,140	11,400	20,100	41,100		
600	292	611	1,150	2,360	3,540	6,820	10,900	19,200	39,200		
650	280	585	1,100	2,260	3,390	6,530	10,400	18,400	37,500		
700	269	562	1,060	2,170	3,260	6,270	9,990	17,700	36,000		
750	259	541	1,020	2,090	3,140	6,040	9,630	17,000	34,700		
800	250	523	985	2,020	3,030	5,830	9,300	16,400	33,500		
850	242	506	953	1,960	2,930	5,640	9,000	15,900	32,400		
900	235	490	924	1,900	2,840	5,470	8,720	15,400	31,500		
950	228	476	897	1,840	2,760	5,310	8,470	15,000	30,500		
1,000	222	463	873	1,790	2,680	5,170	8,240	14,600	29,700		
1,100	210	440	829	1,700	2,550	4,910	7,830	13,800	28,200		
1,200	201	420	791	1,620	2,430	4,680	7,470	13,200	26,900		
1,300	192	402	757	1,550	2,330	4,490	7,150	12,600	25,800		
1,400	185	386	727	1,490	2,240	4,310	6,870	12,100	24,800		
1,500	178	372	701	1,440	2,160	4,150	6,620	11,700	23,900		
1,600	172	359	677	1,390	2,080	4,010	6,390	11,300	23,000		
1,700	166	348	655	1,340	2,010	3,880	6,180	10,900	22,300		
1,800	161	337	635	1,300	1,950	3,760	6,000	10,600	21,600		
1,900	157	327	617	1,270	1,900	3,650	5,820	10,300	21,000		
2,000	152	318	600	1,230	1,840	3,550	5,660	10,000	20,400		

Note: All table entries are rounded to 3 significant digits.

**Table 6.3(d) Schedule 40 Metallic Pipe**

		Gas: Undiluted Propane							
		Inlet Pressure: 11.0 in. w.c.							
		Pressure Drop: 0.5 in. w.c.							
		Specific Gravity: 1.50							
INTENDED USE: Pipe Sizing Between Single- or Second-Stage (Low-Pressure) Regulator and Appliance.									
Pipe Size (in.)									
Nominal Inside:	½	¾	1	1¼	1½	2	2½	3	4
Actual:	0.622	0.824	1.049	1.380	1.610	2.067	2.469	3.068	4.026
Length (ft)	Capacity in Thousands of Btu per Hour								
10	291	608	1,150	2,350	3,520	6,790	10,800	19,100	39,000
20	200	418	787	1,620	2,420	4,660	7,430	13,100	26,800
30	160	336	632	1,300	1,940	3,750	5,970	10,600	21,500
40	137	287	541	1,110	1,660	3,210	5,110	9,030	18,400
50	122	255	480	985	1,480	2,840	4,530	8,000	16,300
60	110	231	434	892	1,340	2,570	4,100	7,250	14,800
80	101	212	400	821	1,230	2,370	3,770	6,670	13,600
100	94	197	372	763	1,140	2,200	3,510	6,210	12,700
125	89	185	349	716	1,070	2,070	3,290	5,820	11,900
150	84	175	330	677	1,010	1,950	3,110	5,500	11,200
175	74	155	292	600	899	1,730	2,760	4,880	9,950
200	67	140	265	543	814	1,570	2,500	4,420	9,010
250	62	129	243	500	749	1,440	2,300	4,060	8,290
300	58	120	227	465	697	1,340	2,140	3,780	7,710
350	51	107	201	412	618	1,190	1,900	3,350	6,840
400	46	97	182	373	560	1,080	1,720	3,040	6,190
450	42	89	167	344	515	991	1,580	2,790	5,700
500	40	83	156	320	479	922	1,470	2,600	5,300
550	37	78	146	300	449	865	1,380	2,440	4,970
600	35	73	138	283	424	817	1,300	2,300	4,700
650	33	70	131	269	403	776	1,240	2,190	4,460
700	32	66	125	257	385	741	1,180	2,090	4,260
750	30	64	120	246	368	709	1,130	2,000	4,080
800	29	61	115	236	354	681	1,090	1,920	3,920
850	28	59	111	227	341	656	1,050	1,850	3,770
900	27	57	107	220	329	634	1,010	1,790	3,640
950	26	55	104	213	319	613	978	1,730	3,530
1,000	25	53	100	206	309	595	948	1,680	3,420
1,100	25	52	97	200	300	578	921	1,630	3,320
1,200	24	50	95	195	292	562	895	1,580	3,230
1,300	23	48	90	185	277	534	850	1,500	3,070
1,400	22	46	86	176	264	509	811	1,430	2,930
1,500	21	44	82	169	253	487	777	1,370	2,800
1,600	20	42	79	162	243	468	746	1,320	2,690
1,700	19	40	76	156	234	451	719	1,270	2,590
1,800	19	39	74	151	226	436	694	1,230	2,500
1,900	18	38	71	146	219	422	672	1,190	2,420
2,000	18	37	69	142	212	409	652	1,150	2,350

Note: All table entries are rounded to 3 significant digits.



**Table 6.3(e) Semirigid Copper Tubing**

		Gas: Undiluted Propane								
		Inlet Pressure: 10.0 psi								
		Pressure Drop: 1.0 psi								
		Specific Gravity: 1.50								
<b>INTENDED USE: Tube Sizing Between First-Stage (High-Pressure) Regulator and Second-Stage (Low-Pressure) Regulator.</b>										
<b>Tube Size (in.)</b>										
Nominal:	K & L:	¼	⅜	½	⅝	¾	1	1¼	1½	2
	ACR:	⅜	½	⅝	¾	⅞	1½	1¾	—	—
<b>Outside:</b>		<b>0.375</b>	<b>0.500</b>	<b>0.625</b>	<b>0.750</b>	<b>0.875</b>	<b>1.125</b>	<b>1.375</b>	<b>1.625</b>	<b>2.125</b>
<b>Inside:</b> *		<b>0.305</b>	<b>0.402</b>	<b>0.527</b>	<b>0.652</b>	<b>0.745</b>	<b>0.995</b>	<b>1.245</b>	<b>1.481</b>	<b>1.959</b>
Length (ft)		Capacity in Thousands of Btu per Hour								
10	513	1,060	2,150	3,760	5,330	11,400	20,500	32,300	67,400	
20	352	727	1,480	2,580	3,670	7,830	14,100	22,200	46,300	
30	283	584	1,190	2,080	2,940	6,290	11,300	17,900	37,200	
40	242	500	1,020	1,780	2,520	5,380	9,690	15,300	31,800	
50	215	443	901	1,570	2,230	4,770	8,590	13,500	28,200	
60	194	401	816	1,430	2,020	4,320	7,780	12,300	25,600	
70	179	369	751	1,310	1,860	3,980	7,160	11,300	23,500	
80	166	343	699	1,220	1,730	3,700	6,660	10,500	21,900	
90	156	322	655	1,150	1,630	3,470	6,250	9,850	20,500	
100	147	304	619	1,080	1,540	3,280	5,900	9,310	19,400	
125	131	270	549	959	1,360	2,910	5,230	8,250	17,200	
150	118	244	497	869	1,230	2,630	4,740	7,470	15,600	
175	109	225	457	799	1,130	2,420	4,360	6,880	14,300	
200	101	209	426	744	1,060	2,250	4,060	6,400	13,300	
250	90	185	377	659	935	2,000	3,600	5,670	11,800	
300	81	168	342	597	847	1,810	3,260	5,140	10,700	
350	75	155	314	549	779	1,660	3,000	4,730	9,840	
400	70	144	292	511	725	1,550	2,790	4,400	9,160	
450	65	135	274	480	680	1,450	2,620	4,130	8,590	
500	62	127	259	453	643	1,370	2,470	3,900	8,120	
550	59	121	246	430	610	1,300	2,350	3,700	7,710	
600	56	115	235	410	582	1,240	2,240	3,530	7,350	
650	54	111	225	393	558	1,190	2,140	3,380	7,040	
700	51	106	216	378	536	1,140	2,060	3,250	6,770	
750	50	102	208	364	516	1,100	1,980	3,130	6,520	
800	48	99	201	351	498	1,060	1,920	3,020	6,290	
850	46	96	195	340	482	1,030	1,850	2,920	6,090	
900	45	93	189	330	468	1,000	1,800	2,840	5,910	
950	44	90	183	320	454	970	1,750	2,750	5,730	
1,000	42	88	178	311	442	944	1,700	2,680	5,580	
1,100	40	83	169	296	420	896	1,610	2,540	5,300	
1,200	38	79	161	282	400	855	1,540	2,430	5,050	
1,300	37	76	155	270	383	819	1,470	2,320	4,840	
1,400	35	73	148	260	368	787	1,420	2,230	4,650	
1,500	34	70	143	250	355	758	1,360	2,150	4,480	
1,600	33	68	138	241	343	732	1,320	2,080	4,330	
1,700	32	66	134	234	331	708	1,270	2,010	4,190	
1,800	31	64	130	227	321	687	1,240	1,950	4,060	
1,900	30	62	126	220	312	667	1,200	1,890	3,940	
2,000	29	60	122	214	304	648	1,170	1,840	3,830	

Note: All table entries are rounded to 3 significant digits.

\*Table capacities are based on Type K copper tubing inside diameter (shown), which has the smallest inside diameter of the copper tubing products.

**Table 6.3(f) Semirigid Copper Tubing**

		Gas: Undiluted Propane								
		Inlet Pressure: 11.0 in. w.c.								
		Pressure Drop: 0.5 in. w.c.								
		Specific Gravity: 1.50								
<b>INTENDED USE: Tube Sizing Between Single- or Second-Stage (Low-Pressure) Regulator and Appliance.</b>										
<b>Tube Size (in.)</b>										
Nominal:	K & L:	¼	⅜	½	⅝	¾	1	1¼	1½	2
	ACR:	⅜	½	⅝	¾	7⁄8	1½	1¾	—	—
Outside:		0.375	0.500	0.625	0.750	0.875	1.125	1.375	1.625	2.125
Inside:*		0.305	0.402	0.527	0.652	0.745	0.995	1.245	1.481	1.959
Length (ft)		Capacity in Thousands of Btu per Hour								
10	45	93	188	329	467	997	1,800	2,830	5,890	
20	31	64	129	226	321	685	1,230	1,950	4,050	
30	25	51	104	182	258	550	991	1,560	3,250	
40	21	44	89	155	220	471	848	1,340	2,780	
50	19	39	79	138	195	417	752	1,180	2,470	
60	17	35	71	125	177	378	681	1,070	2,240	
70	16	32	66	115	163	348	626	988	2,060	
80	15	30	61	107	152	324	583	919	1,910	
90	14	28	57	100	142	304	547	862	1,800	
100	13	27	54	95	134	287	517	814	1,700	
125	11	24	48	84	119	254	458	722	1,500	
150	10	21	44	76	108	230	415	654	1,360	
175	NA	20	40	70	99	212	382	602	1,250	
200	NA	18	37	65	92	197	355	560	1,170	
250	NA	16	33	58	82	175	315	496	1,030	
300	NA	15	30	52	74	158	285	449	936	
350	NA	14	28	48	68	146	262	414	861	
400	NA	13	26	45	63	136	244	385	801	
450	NA	12	24	42	60	127	229	361	752	
500	NA	11	23	40	56	120	216	341	710	
550	NA	11	22	38	53	114	205	324	674	
600	NA	10	21	36	51	109	196	309	643	
650	NA	NA	20	34	49	104	188	296	616	
700	NA	NA	19	33	47	100	180	284	592	
750	NA	NA	18	32	45	96	174	274	570	
800	NA	NA	18	31	44	93	168	264	551	
850	NA	NA	17	30	42	90	162	256	533	
900	NA	NA	17	29	41	87	157	248	517	
950	NA	NA	16	28	40	85	153	241	502	
1,000	NA	NA	16	27	39	83	149	234	488	
1,100	NA	NA	15	26	37	78	141	223	464	
1,200	NA	NA	14	25	35	75	135	212	442	
1,300	NA	NA	14	24	34	72	129	203	423	
1,400	NA	NA	13	23	32	69	124	195	407	
1,500	NA	NA	13	22	31	66	119	188	392	
1,600	NA	NA	12	21	30	64	115	182	378	
1,700	NA	NA	12	20	29	62	112	176	366	
1,800	NA	NA	11	20	28	60	108	170	355	
1,900	NA	NA	11	19	27	58	105	166	345	
2,000	NA	NA	11	19	27	57	102	161	335	

NA: A flow of less than 10,000 Btu/hr.

Note: All table entries are rounded to 3 significant digits.

\*Table capacities are based on Type K copper tubing inside diameter (shown), which has the smallest inside diameter of the copper tubing products.



**Table 6.3(g) Semirigid Copper Tubing**

		Gas:		Undiluted Propane						
		Inlet Pressure:		2.0 psi						
		Pressure Drop:		1.0 psi						
		Specific Gravity:		1.50						
<b>INTENDED USE: Tube Sizing Between 2 psig Service and Line Pressure Regulator.</b>										
<b>Tube Size (in.)</b>										
Nominal:	K & L:	¼	⅜	½	⅝	¾	1	1¼	1½	2
	ACR:	⅜	½	⅝	¾	⅞	1⅛	1⅜	—	—
Outside:		0.375	0.500	0.625	0.750	0.875	1.125	1.375	1.625	2.125
Inside:*		0.305	0.402	0.527	0.652	0.745	0.995	1.245	1.481	1.959
Length (ft)		Capacity in Thousands of Btu per Hour								
10	413	852	1,730	3,030	4,300	9,170	16,500	26,000	54,200	
20	284	585	1,190	2,080	2,950	6,310	11,400	17,900	37,300	
30	228	470	956	1,670	2,370	5,060	9,120	14,400	29,900	
40	195	402	818	1,430	2,030	4,330	7,800	12,300	25,600	
50	173	356	725	1,270	1,800	3,840	6,920	10,900	22,700	
60	157	323	657	1,150	1,630	3,480	6,270	9,880	20,600	
70	144	297	605	1,060	1,500	3,200	5,760	9,090	18,900	
80	134	276	562	983	1,390	2,980	5,360	8,450	17,600	
90	126	259	528	922	1,310	2,790	5,030	7,930	16,500	
100	119	245	498	871	1,240	2,640	4,750	7,490	15,600	
125	105	217	442	772	1,100	2,340	4,210	6,640	13,800	
150	95	197	400	700	992	2,120	3,820	6,020	12,500	
175	88	181	368	644	913	1,950	3,510	5,540	11,500	
200	82	168	343	599	849	1,810	3,270	5,150	10,700	
250	72	149	304	531	753	1,610	2,900	4,560	9,510	
300	66	135	275	481	682	1,460	2,620	4,140	8,610	
350	60	124	253	442	628	1,340	2,410	3,800	7,920	
400	56	116	235	411	584	1,250	2,250	3,540	7,370	
450	53	109	221	386	548	1,170	2,110	3,320	6,920	
500	50	103	209	365	517	1,110	1,990	3,140	6,530	
550	47	97	198	346	491	1,050	1,890	2,980	6,210	
600	45	93	189	330	469	1,000	1,800	2,840	5,920	
650	43	89	181	316	449	959	1,730	2,720	5,670	
700	41	86	174	304	431	921	1,660	2,620	5,450	
750	40	82	168	293	415	888	1,600	2,520	5,250	
800	39	80	162	283	401	857	1,540	2,430	5,070	
850	37	77	157	274	388	829	1,490	2,350	4,900	
900	36	75	152	265	376	804	1,450	2,280	4,750	
950	35	72	147	258	366	781	1,410	2,220	4,620	
1,000	34	71	143	251	356	760	1,370	2,160	4,490	
1,100	32	67	136	238	338	721	1,300	2,050	4,270	
1,200	31	64	130	227	322	688	1,240	1,950	4,070	
1,300	30	61	124	217	309	659	1,190	1,870	3,900	
1,400	28	59	120	209	296	633	1,140	1,800	3,740	
1,500	27	57	115	201	286	610	1,100	1,730	3,610	
1,600	26	55	111	194	276	589	1,060	1,670	3,480	
1,700	26	53	108	188	267	570	1,030	1,620	3,370	
1,800	25	51	104	182	259	553	1,000	1,570	3,270	
1,900	24	50	101	177	251	537	966	1,520	3,170	
2,000	23	48	99	172	244	522	940	1,480	3,090	

Note: All table entries are rounded to 3 significant digits.

\*Table capacities are based on Type K copper tubing inside diameter (shown), which has the smallest inside diameter of the copper tubing products.



**Table 6.3(h) Corrugated Stainless Steel Tubing (CSST)**

														Gas:	Undiluted Propane
														Inlet Pressure:	11.0 in. w.c.
														Pressure Drop:	0.5 in. w.c.
														Specific Gravity:	1.50
INTENDED USE: CSST Sizing Between Single- or Second-Stage (Low-Pressure) Regulator and Appliance Shutoff Valve.															
Tube Size (EHD)															
Flow Designation:	13	15	18	19	23	25	30	31	37	39	46	48	60	62	
Length (ft)	Capacity in Thousands of Btu per Hour														
5	72	99	181	211	355	426	744	863	1,420	1,638	2,830	3,270	5,780	6,550	
10	50	69	129	150	254	303	521	605	971	1,179	1,990	2,320	4,110	4,640	
15	39	55	104	121	208	248	422	490	775	972	1,620	1,900	3,370	3,790	
20	34	49	91	106	183	216	365	425	661	847	1,400	1,650	2,930	3,290	
25	30	42	82	94	164	192	325	379	583	762	1,250	1,480	2,630	2,940	
30	28	39	74	87	151	177	297	344	528	698	1,140	1,350	2,400	2,680	
40	23	33	64	74	131	153	256	297	449	610	988	1,170	2,090	2,330	
50	20	30	58	66	118	137	227	265	397	548	884	1,050	1,870	2,080	
60	19	26	53	60	107	126	207	241	359	502	805	961	1,710	1,900	
70	17	25	49	57	99	117	191	222	330	466	745	890	1,590	1,760	
80	15	23	45	52	94	109	178	208	307	438	696	833	1,490	1,650	
90	15	22	44	50	90	102	169	197	286	414	656	787	1,400	1,550	
100	14	20	41	47	85	98	159	186	270	393	621	746	1,330	1,480	
150	11	15	31	36	66	75	123	143	217	324	506	611	1,090	1,210	
200	9	14	28	33	60	69	112	129	183	283	438	531	948	1,050	
250	8	12	25	30	53	61	99	117	163	254	390	476	850	934	
300	8	11	23	26	50	57	90	107	147	234	357	434	777	854	

EHD: Equivalent hydraulic diameter. A measure of the relative hydraulic efficiency between different tubing sizes. The greater the value of EHD, the greater the gas capacity of the tubing.

Notes:

(1) Table includes losses for four 90 degree bends and two end fittings. Tubing runs with larger numbers of bends and/or fittings shall be increased by an equivalent length of tubing to the following equation:  $L = 1.3n$ , where  $L$  is additional length (ft) of tubing and  $n$  is the number of additional fittings and/or bends.

(2) All table entries are rounded to 3 significant digits.



**Table 6.3(i) Corrugated Stainless Steel Tubing (CSST)**

														Gas:	Undiluted Propane
														Inlet Pressure:	2.0 psi
														Pressure Drop:	1.0 psi
														Specific Gravity:	1.50
INTENDED USE: CSST Sizing Between 2 psig Service and Line Pressure Regulator.															
														Tube Size (EHD)	
Flow Designation:	13	15	18	19	23	25	30	31	37	39	46	48	60	62	
Length (ft)	Capacity in Thousands of Btu per Hour														
10	426	558	927	1,110	1,740	2,170	4,100	4,720	7,130	7,958	15,200	16,800	29,400	34,200	
25	262	347	591	701	1,120	1,380	2,560	2,950	4,560	5,147	9,550	10,700	18,800	21,700	
30	238	316	540	640	1,030	1,270	2,330	2,690	4,180	4,719	8,710	9,790	17,200	19,800	
40	203	271	469	554	896	1,100	2,010	2,320	3,630	4,116	7,530	8,500	14,900	17,200	
50	181	243	420	496	806	986	1,790	2,070	3,260	3,702	6,730	7,610	13,400	15,400	
75	147	196	344	406	663	809	1,460	1,690	2,680	3,053	5,480	6,230	11,000	12,600	
80	140	189	333	393	643	768	1,410	1,630	2,590	2,961	5,300	6,040	10,600	12,200	
100	124	169	298	350	578	703	1,260	1,450	2,330	2,662	4,740	5,410	9,530	10,900	
150	101	137	245	287	477	575	1,020	1,180	1,910	2,195	3,860	4,430	7,810	8,890	
200	86	118	213	248	415	501	880	1,020	1,660	1,915	3,340	3,840	6,780	7,710	
250	77	105	191	222	373	448	785	910	1,490	1,722	2,980	3,440	6,080	6,900	
300	69	96	173	203	343	411	716	829	1,360	1,578	2,720	3,150	5,560	6,300	
400	60	82	151	175	298	355	616	716	1,160	1,376	2,350	2,730	4,830	5,460	
500	53	72	135	158	268	319	550	638	1,030	1,237	2,100	2,450	4,330	4,880	

EHD: Equivalent hydraulic diameter. A measure of the relative hydraulic efficiency between different tubing sizes. The greater the value of EHD, the greater the gas capacity of the tubing.

Notes:

(1) Table does not include effect of pressure drop across the line regulator. Where regulator loss exceeds ½ psi (based on 13 in. w.c. outlet pressure), do not use this table. Consult with regulator manufacturer for pressure drops and capacity factors. Pressure drops across a regulator may vary with flow rate.

(2) CAUTION: Capacities shown in table may exceed maximum capacity for a selected regulator. Consult with regulator or tubing manufacturer for guidance.

(3) Table includes losses for four 90 degree bends and two end fittings. Tubing runs with larger number of bends and/or fittings shall be increased by an equivalent length of tubing according to the following equation:  $L = 1.3n$ , where  $L$  is additional length (ft) of tubing and  $n$  is the number of additional fittings and/or bends.

(4) All table entries are rounded to 3 significant digits.

**Table 6.3(j) Corrugated Stainless Steel Tubing (CSST)**

														Gas: Undiluted Propane													
														Inlet Pressure: 5.0 psi													
														Pressure Drop: 3.5 psi													
														Specific Gravity: 1.50													
														Tube Size (EHD)													
Flow Designation:	13	15	18	19	23	25	30	31	37	39	46	48	60	62													
Length (ft)	Capacity in Thousands of Btu per Hour																										
10	826	1,070	1,710	2,060	3,150	4,000	7,830	8,950	13,100	14,441	28,600	31,200	54,400	63,800													
25	509	664	1,090	1,310	2,040	2,550	4,860	5,600	8,400	9,339	18,000	19,900	34,700	40,400													
30	461	603	999	1,190	1,870	2,340	4,430	5,100	7,680	8,564	16,400	18,200	31,700	36,900													
40	396	520	867	1,030	1,630	2,030	3,820	4,400	6,680	7,469	14,200	15,800	27,600	32,000													
50	352	463	777	926	1,460	1,820	3,410	3,930	5,990	6,717	12,700	14,100	24,700	28,600													
75	284	376	637	757	1,210	1,490	2,770	3,190	4,920	5,539	10,300	11,600	20,300	23,400													
80	275	363	618	731	1,170	1,450	2,680	3,090	4,770	5,372	9,990	11,200	19,600	22,700													
100	243	324	553	656	1,050	1,300	2,390	2,760	4,280	4,830	8,930	10,000	17,600	20,300													
150	196	262	453	535	866	1,060	1,940	2,240	3,510	3,983	7,270	8,210	14,400	16,600													
200	169	226	393	464	755	923	1,680	1,930	3,050	3,474	6,290	7,130	12,500	14,400													
250	150	202	352	415	679	828	1,490	1,730	2,740	3,124	5,620	6,390	11,200	12,900													
300	136	183	322	379	622	757	1,360	1,570	2,510	2,865	5,120	5,840	10,300	11,700													
400	117	158	279	328	542	657	1,170	1,360	2,180	2,498	4,430	5,070	8,920	10,200													
500	104	140	251	294	488	589	1,050	1,210	1,950	2,247	3,960	4,540	8,000	9,110													

EHD: Equivalent hydraulic diameter. A measure of the relative hydraulic efficiency between different tubing sizes. The greater the value of EHD, the greater the gas capacity of the tubing.

Notes:

(1) Table does not include effect of pressure drop across the line regulator. Where regulator loss exceeds ½ psi (based on 13 in. w.c. outlet pressure), do not use this table. Consult with regulator manufacturer for pressure drops and capacity factors. Pressure drops across a regulator may vary with flow rate.

(2) CAUTION: Capacities shown in table may exceed maximum capacity for a selected regulator. Consult with regulator or tubing manufacturer for guidance.

(3) Table includes losses for four 90 degree bends and two end fittings. Tubing runs with larger number of bends and/or fittings shall be increased by an equivalent length of tubing according to the following equation:  $L = 1.3n$ , where  $L$  is additional length (ft) of tubing and  $n$  is the number of additional fittings and/or bends.

(4) All table entries are rounded to 3 significant digits.



**Table 6.3(k) Polyethylene Plastic Pipe**

							Gas:	Undiluted Propane
							Inlet Pressure:	11.0 in. w.c.
							Pressure Drop:	0.5 in. w.c.
							Specific Gravity:	1.50
INTENDED USE: PE Pipe Sizing Between Integral Second-Stage Regulator at Tank or Second-Stage (Low-Pressure) Regulator and Building.								
Nominal OD:	Pipe Size (in.)							
	½	¾	1	1¼	1½	2		
Designation:	SDR 9.33	SDR 11.0	SDR 11.00	SDR 10.00	SDR 11.00	SDR 11.00	SDR 11.00	
Actual ID:	0.660	0.860	1.077	1.328	1.554	1.943		
Length (ft)	Capacity in Thousands of Btu per Hour							
10	340	680	1,230	2,130	3,210	5,770		
20	233	468	844	1,460	2,210	3,970		
30	187	375	677	1,170	1,770	3,180		
40	160	321	580	1,000	1,520	2,730		
50	142	285	514	890	1,340	2,420		
60	129	258	466	807	1,220	2,190		
70	119	237	428	742	1,120	2,010		
80	110	221	398	690	1,040	1,870		
90	103	207	374	648	978	1,760		
100	98	196	353	612	924	1,660		
125	87	173	313	542	819	1,470		
150	78	157	284	491	742	1,330		
175	72	145	261	452	683	1,230		
200	67	135	243	420	635	1,140		
250	60	119	215	373	563	1,010		
300	54	108	195	338	510	916		
350	50	99	179	311	469	843		
400	46	92	167	289	436	784		
450	43	87	157	271	409	736		
500	41	82	148	256	387	695		

Note: All table entries are rounded to 3 significant digits.

**Table 6.3(l) Polyethylene Plastic Pipe**

							Gas:	Undiluted Propane
							Inlet Pressure:	2.0 psi
							Pressure Drop:	1.0 psi
							Specific Gravity:	1.50
INTENDED USE: PE Pipe Sizing Between 2 psi Service Regulator and Line Pressure Regulator.								
Pipe Size (in.)								
Nominal OD:	½	¾	1	1¼	1½	2		
Designation:	SDR 9.33	SDR 11.0	SDR 11.00	SDR 10.00	SDR 11.00	SDR 11.00	SDR 11.00	
Actual ID:	0.660	0.860	1.077	1.328	1.554	1.943		
Length (ft)	Capacity in Thousands of Btu per Hour							
10	3,130	6,260	11,300	19,600	29,500	53,100		
20	2,150	4,300	7,760	13,400	20,300	36,500		
30	1,730	3,450	6,230	10,800	16,300	29,300		
40	1,480	2,960	5,330	9,240	14,000	25,100		
50	1,310	2,620	4,730	8,190	12,400	22,200		
60	1,190	2,370	4,280	7,420	11,200	20,100		
70	1,090	2,180	3,940	6,830	10,300	18,500		
80	1,010	2,030	3,670	6,350	9,590	17,200		
90	952	1,910	3,440	5,960	9,000	16,200		
100	899	1,800	3,250	5,630	8,500	15,300		
125	797	1,600	2,880	4,990	7,530	13,500		
150	722	1,450	2,610	4,520	6,830	12,300		
175	664	1,330	2,400	4,160	6,280	11,300		
200	618	1,240	2,230	3,870	5,840	10,500		
250	548	1,100	1,980	3,430	5,180	9,300		
300	496	994	1,790	3,110	4,690	8,430		
350	457	914	1,650	2,860	4,320	7,760		
400	425	851	1,530	2,660	4,020	7,220		
450	399	798	1,440	2,500	3,770	6,770		
500	377	754	1,360	2,360	3,560	6,390		
550	358	716	1,290	2,240	3,380	6,070		
600	341	683	1,230	2,140	3,220	5,790		
650	327	654	1,180	2,040	3,090	5,550		
700	314	628	1,130	1,960	2,970	5,330		
750	302	605	1,090	1,890	2,860	5,140		
800	292	585	1,050	1,830	2,760	4,960		
850	283	566	1,020	1,770	2,670	4,800		
900	274	549	990	1,710	2,590	4,650		
950	266	533	961	1,670	2,520	4,520		
1,000	259	518	935	1,620	2,450	4,400		
1,100	246	492	888	1,540	2,320	4,170		
1,200	234	470	847	1,470	2,220	3,980		
1,300	225	450	811	1,410	2,120	3,810		
1,400	216	432	779	1,350	2,040	3,660		
1,500	208	416	751	1,300	1,960	3,530		
1,600	201	402	725	1,260	1,900	3,410		
1,700	194	389	702	1,220	1,840	3,300		
1,800	188	377	680	1,180	1,780	3,200		
1,900	183	366	661	1,140	1,730	3,110		
2,000	178	356	643	1,110	1,680	3,020		

Note: All table entries are rounded to 3 significant digits.





**Table 6.3(m) Polyethylene Plastic Tubing**

		Gas:	Undiluted Propane
		Inlet Pressure:	11.0 in. w.c.
		Pressure Drop:	0.5 in. w.c.
		Specific Gravity:	1.50
<b>INTENDED USE: PE Tube Sizing Between Integral Second-Stage Regulator at Tank or Second-Stage (Low-Pressure) Regulator and Building.</b>			
Plastic Tubing Size (CTS) (in.)			
Nominal OD:	½	1	
Designation:	SDR 7.00	SDR 11.00	
Actual ID:	0.445	0.927	
Length (ft)	Capacity in Thousands of Btu per Hour		
10	121	828	
20	83	569	
30	67	457	
40	57	391	
50	51	347	
60	46	314	
70	42	289	
80	39	269	
90	37	252	
100	35	238	
125	31	211	
150	28	191	
175	26	176	
200	24	164	
225	22	154	
250	21	145	
275	20	138	
300	19	132	
350	18	121	
400	16	113	
450	15	106	
500	15	100	

CTS: Copper tube size.

Note: All table entries are rounded to 3 significant digits.

## Chapter 7 Gas Piping Installation

### 7.1 Piping Underground.

**7.1.1 Clearances.** Underground gas piping shall be installed with sufficient clearance from any other underground structure to avoid contact therewith, to allow maintenance, and to protect against damage from proximity to other structures. In addition, underground plastic piping shall be installed with sufficient clearance or shall be insulated from any source of heat so as to prevent the heat from impairing the serviceability of the pipe.

**7.1.2 Protection Against Damage.** Means shall be provided to prevent excessive stressing of the piping where vehicular traffic is heavy or soil conditions are unstable and settling of piping or foundation walls could occur. Piping shall be buried or covered in a manner so as to protect the piping from physical damage. Piping shall be protected from physical damage where it passes through flower beds, shrub beds, and other such cultivated areas where such damage is reasonably expected.

**7.1.2.1 Cover Requirements.** Underground piping systems shall be installed with a minimum of 12 in. (300 mm) of cover.

(A) The minimum cover shall be increased to 18 in. (460 mm) if external damage to the pipe or tubing from external forces is likely to result.

(B) Where a minimum of 12 in. (300 mm) of cover cannot be provided, the pipe shall be installed in conduit or bridged (shielded).

**7.1.2.2 Trenches.** The trench shall be graded so that the pipe has a firm, substantially continuous bearing on the bottom of the trench.

**7.1.2.3 Backfilling.** Where flooding of the trench is done to consolidate the backfill, care shall be exercised to see that the pipe is not floated from its firm bearing on the trench bottom.

**7.1.3\* Protection Against Corrosion.** Gas piping in contact with earth or other material that could corrode the piping shall be protected against corrosion in an approved manner. When dissimilar metals are joined underground, an insulating coupling or fitting shall be used. Piping shall not be laid in contact with cinders. Uncoated threaded or socket welded joints shall not be used in piping in contact with soil or where internal or external crevice corrosion is known to occur.

**7.1.4\* Protection Against Freezing.** Where the formation of hydrates or ice is known to occur, piping shall be protected against freezing.

**7.1.5 Piping Through Foundation Wall.** Underground piping installed through the outer foundation or basement wall of a building shall be encased in a protective sleeve or protected by an approved device or method. The space between the gas piping and the building or sleeve shall be sealed to prevent entry of gas and water.

**7.1.6 Piping Underground Beneath Buildings.** Where the installation of gas piping underground beneath buildings is unavoidable, the piping shall be encased in an approved conduit designed to withstand the superimposed loads and installed in accordance with 7.1.6.1 or 7.1.6.2.

**7.1.6.1 Conduit with One End Terminating Outdoors.** The conduit shall extend into an accessible portion of the building and, at the point where the conduit terminates in the building, the space between the conduit and the gas piping shall be sealed to prevent the possible entrance of any gas leakage. Where the end sealing is of a type that retains the full pressure of the pipe, the conduit shall be designed for the same pressure as the pipe. The conduit shall extend at least 4 in. (100 mm) outside the building, be vented outdoors above finished ground level, and be installed so as to prevent the entrance of water and insects.

**7.1.6.2 Conduit with Both Ends Terminating Indoors.** Where the conduit originates and terminates within the same building, the conduit shall originate and terminate in an accessible portion of the building and shall not be sealed.

### 7.1.7 Plastic Pipe.

**7.1.7.1 Connection of Plastic Piping.** Plastic pipe shall be installed outdoors, underground only.

*Exception No. 1: Plastic pipe shall be permitted to terminate above-ground where an anodeless riser is used.*

*Exception No. 2: Plastic pipe shall be permitted to terminate with a wall head adapter aboveground in buildings, including basements, where the plastic pipe is inserted in a piping material permitted for use in buildings.*

**7.1.7.2 Connections Between Metallic and Plastic Piping.**

Connections made between metallic and plastic piping shall be made with fittings conforming to one of the following:

- (1) ASTM D 2513, *Standard Specification for Thermoplastic Gas Pressure Pipe, Tubing, and Fittings*, Category I transition fittings
- (2) ASTM F 1973, *Standard Specification for Factory Assembled Anodeless Risers and Transition Fittings in Polyethylene (PE) and Polyamide 11 (PA11) Fuel Gas Distribution Systems*
- (3) ASTM F 2509, *Standard Specification for Field-Assembled Anodeless Riser Kits for Use on Outside Diameter Controlled Polyethylene Gas Distribution Pipe and Tubing*

**7.1.7.3 Tracer Wire.** An electrically continuous corrosion-resistant tracer wire (minimum AWG 14) or tape shall be buried with the plastic pipe to facilitate locating. One end shall be brought aboveground at a building wall or riser.

**7.2 Installation of Piping.**

**7.2.1** Piping installed aboveground shall be securely supported and located where it is protected from physical damage (*also see 7.1.4*). Where passing through an exterior wall, the piping shall also be protected against corrosion by coating or wrapping with an inert material approved for such applications. Where piping is encased in a protective pipe sleeve, the annular space between the gas piping and the sleeve shall be sealed at the wall to prevent the entry of water, insects, or rodents.

**7.2.2 Building Structure.**

**7.2.2.1** The installation of gas piping shall not cause structural stresses within building components to exceed allowable design limits.

**7.2.2.2** Approval shall be obtained before any beams or joists are cut or notched.

**7.2.3 Other than Dry Gas.** Drips, sloping, protection from freezing, and branch pipe connections, as provided for in 7.1.4, 7.6.1, and Section 7.8, shall be provided when other than dry gas is distributed and climatic conditions make such provisions necessary.

**7.2.4 Gas Piping to Be Sloped.** Piping for other than dry gas conditions shall be sloped not less than 1/4 in. in 15 ft (7 mm in 4.6 m) to prevent traps.

**7.2.5\* Prohibited Locations.** Gas piping inside any building shall not be installed in or through a clothes chute, chimney or gas vent, dumbwaiter, elevator shaft, or air duct, other than combustion air ducts.

**7.2.6 Hangers, Supports, and Anchors.**

**7.2.6.1** Piping shall be supported with metal pipe hooks, metal pipe straps, metal bands, metal brackets, metal hangers, or building structural components, suitable for the size of piping, of adequate strength and quality, and located at intervals so as to prevent or damp out excessive vibration. Piping shall be anchored to prevent undue strains on connected appliances and equipment and shall not be supported by other piping. Pipe hangers and supports shall conform to the requirements of ANSI/MSS SP-58, *Pipe Hangers and Supports — Materials, Design and Manufacture*.

**7.2.6.2** Spacings of supports in gas piping installations shall not be greater than shown in Table 7.2.6.2. Spacing of supports of CSST shall be in accordance with the CSST manufacturer’s instructions.

**Table 7.2.6.2 Support of Piping**

Steel Pipe, Nominal Size of Pipe (in.)	Spacing of Supports (ft)	Nominal Size of Tubing Smooth Wall (in. O.D.)	Spacing of Supports (ft)
1/2	6	1/2	4
3/4 or 1	8	5/8 or 3/4	6
1 1/4 or larger (horizontal)	10	7/8 or 1	8
1 1/4 or larger (vertical)	Every floor level	1 or larger (vertical)	Every floor level

For SI units, 1 ft = 0.305 m.

**7.2.6.3** Supports, hangers, and anchors shall be installed so as not to interfere with the free expansion and contraction of the piping between anchors. All parts of the supporting system shall be designed and installed so they are not disengaged by movement of the supported piping.

**7.2.6.4 Piping on Roof Tops.** Gas piping installed on the roof surfaces shall be elevated above the roof surface and shall be supported in accordance with Table 7.2.6.2.

**7.2.7 Removal of Pipe.** Where piping containing gas is to be removed, the line shall be first disconnected from all sources of gas and then thoroughly purged with air, water, or inert gas before any cutting or welding is done. (*See Section 8.3.*)

**7.2.8 CSST.** CSST piping systems shall be installed in accordance with this code and the manufacturer’s installation instructions.

**7.3 Concealed Piping in Buildings.**

**7.3.1 General.** Gas piping in concealed locations shall be installed in accordance with this section.

**7.3.2 Connections.** Where gas piping is to be concealed, unions, tubing fittings, right and left couplings, bushings, swing joints, and compression couplings made by combinations of fittings shall not be used. Connections shall be of the following type:

- (1) Pipe fittings such as elbows, tees, and couplings
- (2) Joining tubing by brazing (*see 5.6.8.2*)
- (3) Fittings listed for use in concealed spaces that have been demonstrated to sustain, without leakage, any forces due to temperature expansion or contraction, vibration, or fatigue based on their geographic location, application, or operation
- (4) Where necessary to insert fittings in gas pipe that has been installed in a concealed location, the pipe shall be reconnected by welding, flanges, or the use of a ground joint union with the nut center-punched to prevent loosening by vibration

**7.3.3 Piping in Partitions.** Concealed gas piping shall not be located in solid partitions.

**7.3.4 Tubing in Partitions.** This provision shall not apply to tubing that pierces walls, floors, or partitions. Tubing installed vertically and horizontally inside hollow walls or partitions without protection along its entire concealed length shall meet the following requirements:

- (1) A steel striker barrier not less than 0.0508 in. (1.3 mm) thick, or equivalent, is installed between the tubing and the finished wall and extends at least 4 in. (100 mm) beyond concealed penetrations of plates, firestops, wall studs, and so on.
- (2) The tubing is installed in single runs and is not rigidly secured.

**7.3.5 Piping in Floors.**

**7.3.5.1 Industrial Occupancies.** In industrial occupancies, gas piping in solid floors such as concrete shall be laid in channels in the floor and covered to permit access to the piping with a minimum of damage to the building. Where piping in floor channels could be exposed to excessive moisture or corrosive substances, the piping shall be protected in an approved manner.

**7.3.5.2 Other Occupancies.** In other than industrial occupancies and where approved by the authority having jurisdiction, gas piping embedded in concrete floor slabs constructed with Portland cement shall be surrounded with a minimum of 1½ in. (38 mm) of concrete and shall not be in physical contact with other metallic structures such as reinforcing rods or electrically neutral conductors. All piping, fittings, and risers shall be protected against corrosion in accordance with 5.6.6. Piping shall not be embedded in concrete slabs containing quickset additives or cinder aggregate.

**7.4 Piping in Vertical Chases.** Where gas piping exceeding 5 psi (34 kPa) is located within vertical chases in accordance with 5.5.1(2), the requirements of 7.4.1 through 7.4.3 shall apply.

**7.4.1 Pressure Reduction.** Where pressure reduction is required in branch connections for compliance with 5.5.1, such reduction shall take place either inside the chase or immediately adjacent to the outside wall of the chase. Regulator venting and downstream overpressure protection shall comply with 5.8.5 and Section 5.9. The regulator shall be accessible for service and repair and vented in accordance with one of the following:

- (1) Where the fuel gas is lighter than air, regulators equipped with a vent limiting means shall be permitted to be vented into the chase. Regulators not equipped with a vent limiting means shall be permitted to be vented either directly to the outdoors or to a point within the top 1 ft (0.3 m) of the chase.
- (2) Where the fuel gas is heavier than air, the regulator vent shall be vented only directly to the outdoors.

**7.4.2 Chase Construction.** Chase construction shall comply with local building codes with respect to fire resistance and protection of horizontal and vertical openings.

**7.4.3\* Ventilation.** A chase shall be ventilated to the outdoors and only at the top. The opening(s) shall have a minimum free area (in square inches) equal to the product of one-half of the maximum pressure in the piping (in psi) times the largest nominal diameter of that piping (in inches), or the cross-sectional area of the chase, whichever is smaller. Where more than one fuel gas piping system is present, the free area for each system shall be calculated and the largest area used.

**7.5 Gas Pipe Turns.** Changes in direction of gas pipe shall be made by the use of fittings, factory bends, or field bends.

**7.5.1 Metallic Pipe.** Metallic pipe bends shall comply with the following:

- (1) Bends shall be made only with bending tools and procedures intended for that purpose.
- (2) All bends shall be smooth and free from buckling, cracks, or other evidence of mechanical damage.
- (3) The longitudinal weld of the pipe shall be near the neutral axis of the bend.
- (4) Pipe shall not be bent through an arc of more than 90 degrees.
- (5) The inside radius of a bend shall be not less than 6 times the outside diameter of the pipe.

**7.5.2 Plastic Pipe.** Plastic pipe bends shall comply with the following:

- (1) The pipe shall not be damaged, and the internal diameter of the pipe shall not be effectively reduced.
- (2) Joints shall not be located in pipe bends.
- (3) The radius of the inner curve of such bends shall not be less than 25 times the inside diameter of the pipe.
- (4) Where the piping manufacturer specifies the use of special bending tools or procedures, such tools or procedures shall be used.

**7.5.3 Elbows.** Factory-made welding elbows or transverse segments cut therefrom shall have an arc length measured along the crotch of at least 1 in. (25 mm) for pipe sizes 2 in. and larger.

**7.6 Drips and Sediment Traps.**

**7.6.1 Provide Drips Where Necessary.** For other than dry gas conditions, a drip shall be provided at any point in the line of pipe where condensate could collect. Where required by the authority having jurisdiction or the serving gas supplier, a drip shall also be provided at the outlet of the meter. This drip shall be installed so as to constitute a trap wherein an accumulation of condensate shuts off the flow of gas before it runs back into the meter.

**7.6.2 Location of Drips.** All drips shall be installed only in such locations that they are readily accessible to permit cleaning or emptying. A drip shall not be located where the condensate is likely to freeze.

**7.6.3 Sediment Traps.** See 9.6.7.

**7.7 Outlets.**

**7.7.1 Location and Installation.**

**7.7.1.1** The outlet fittings or piping shall be securely fastened in place.

**7.7.1.2** Outlets shall not be located behind doors.

**7.7.1.3** Outlets shall be located far enough from floors, walls, patios, slabs, and ceilings to permit the use of wrenches without straining, bending, or damaging the piping.

**7.7.1.4** The unthreaded portion of gas piping outlets shall extend not less than 1 in. (25 mm) through finished ceilings or indoor or outdoor walls.

**7.7.1.5** The unthreaded portion of gas piping outlets shall extend not less than 2 in. (50 mm) above the surface of floors or outdoor patios or slabs.

**7.7.1.6** The provisions of 7.7.1.4 and 7.7.1.5 shall not apply to listed quick-disconnect devices of the flush-mounted type or listed gas convenience outlets. Such devices shall be installed in accordance with the manufacturers' installation instructions.

### 7.7.2 Cap All Outlets.

**7.7.2.1** Each outlet, including a valve, shall be closed gastight with a threaded plug or cap immediately after installation and shall be left closed until the appliance or equipment is connected thereto. When an appliance or equipment is disconnected from an outlet and the outlet is not to be used again immediately, it shall be capped or plugged gastight.

*Exception No. 1: Laboratory appliances installed in accordance with 9.6.2(1) shall be permitted.*

*Exception No. 2: The use of a listed quick-disconnect device with integral shutoff or listed gas convenience outlet shall be permitted.*

**7.7.2.2** Appliance shutoff valves installed in fireplaces shall be removed and the piping capped gastight where the fireplace is used for solid fuel burning.

**7.8 Branch Pipe Connection.** When a branch outlet is placed on a main supply line before it is known what size pipe will be connected to it, the outlet shall be of the same size as the line that supplies it.

### 7.9 Manual Gas Shutoff Valves. (Also see 9.6.4.)

**7.9.1 Valves at Regulators.** An accessible gas shutoff valve shall be provided upstream of each gas pressure regulator. Where two gas pressure regulators are installed in series in a single gas line, a manual valve shall not be required at the second regulator.

### 7.9.2 Valves Controlling Multiple Systems.

**7.9.2.1 Accessibility of Gas Valves.** Main gas shutoff valves controlling several gas piping systems shall be readily accessible for operation and installed so as to be protected from physical damage. They shall be marked with a metal tag or other permanent means attached by the installing agency so that the gas piping systems supplied through them can be readily identified.

**7.9.2.2 Shutoff Valves for Multiple House Lines.** In multiple-tenant buildings supplied through a master meter, through one service regulator where a meter is not provided, or where meters or service regulators are not readily accessible from the appliance or equipment location, an individual shutoff valve for each apartment or tenant line shall be provided at a convenient point of general accessibility. In a common system serving a number of individual buildings, shutoff valves shall be installed at each building.

**7.9.2.3 Emergency Shutoff Valves.** An exterior shutoff valve to permit turning off the gas supply to each building in an emergency shall be provided. The emergency shutoff valves shall be plainly marked as such and their locations posted as required by the authority having jurisdiction.

**7.9.2.4 Shutoff Valve for Laboratories.** Each laboratory space containing two or more gas outlets installed on tables, benches, or in hoods in educational, research, commercial, and industrial occupancies shall have a single shutoff valve through which all such gas outlets are supplied. The shutoff valve shall be accessible, located within the laboratory or adjacent to the laboratory's egress door, and identified.

**7.10 Prohibited Devices.** No device shall be placed inside the gas piping or fittings that reduces the cross-sectional area or otherwise obstructs the free flow of gas, except where proper allowance in the piping system design has been made for such a device and where approved by the authority having jurisdiction.

**7.11 Systems Containing Gas-Air Mixtures Outside the Flammable Range.** Where gas-air mixing machines are employed to produce mixtures above or below the flammable range, they shall be provided with stops to prevent adjustment of the mixture to within or approaching the flammable range.

### 7.12 Systems Containing Flammable Gas-Air Mixtures.

**7.12.1 Required Components.** A central premix system with a flammable mixture in the blower or compressor shall consist of the following components:

- (1) Gas-mixing machine in the form of an automatic gas-air proportioning device combined with a downstream blower or compressor
- (2) Flammable mixture piping, minimum Schedule 40
- (3) Automatic firecheck(s)
- (4) Safety blowout(s) or backfire preventers for systems utilizing flammable mixture lines above 2½ in. nominal pipe size or the equivalent

**7.12.2 Optional Components.** The following components shall also be permitted to be utilized in any type of central premix system:

- (1) Flowmeter(s)
- (2) Flame arrester(s)

**7.12.3 Additional Requirements.** Gas-mixing machines shall have nonsparking blowers and shall be constructed so that a flashback does not rupture machine casings.

**7.12.4\* Special Requirements for Mixing Blowers.** A mixing blower system shall be limited to applications with minimum practical lengths of mixture piping, limited to a maximum mixture pressure of 10 in. w.c. (2.5 kPa) and limited to gases containing no more than 10 percent hydrogen. The blower shall be equipped with a gas control valve at its air entrance arranged so that gas is admitted to the airstream, entering the blower in proper proportions for correct combustion by the type of burners employed, the said gas control valve being of either the zero governor or mechanical ratio valve type that controls the gas and air adjustment simultaneously. No valves or other obstructions shall be installed between the blower discharge and the burner or burners.

### 7.12.5 Installation of Gas-Mixing Machines.

**7.12.5.1\* Location.** The gas-mixing machine shall be located in a large well-ventilated area or in a small detached building or cutoff room provided with room construction and explosion vents in accordance with sound engineering principles. Such rooms or belowgrade installations shall have adequate positive ventilation.

**7.12.5.2 Electrical Requirements.** Where gas-mixing machines are installed in well-ventilated areas, the type of electrical equipment shall be in accordance with *NFPA 70, National Electrical Code*, for general service conditions unless other hazards in the area prevail. Where gas-mixing machines are installed in small detached buildings or cutoff rooms, the electrical equipment and wiring shall be installed in accordance with *NFPA 70* for hazardous locations (Articles 500 and 501, Class I, Division 2).



**7.12.5.3 Air Intakes.** Air intakes for gas-mixing machines using compressors or blowers shall be taken from outdoors whenever practical.

**7.12.5.4\* Controls.** Controls for gas-mixing machines shall include interlocks and a safety shutoff valve of the manual reset type in the gas supply connection to each machine arranged to automatically shut off the gas supply in the event of high or low gas pressure. Except for open burner installations only, the controls shall be interlocked so that the blower or compressor stops operating following a gas supply failure. Where a system employs pressurized air, means shall be provided to shut off the gas supply in the event of air failure.

**7.12.5.5 Installation in Parallel.** Centrifugal gas-mixing machines in parallel shall be reviewed by the user and equipment manufacturer before installation, and means or plans for minimizing these effects of downstream pulsation and equipment overload shall be prepared and utilized as needed.

**7.12.6 Use of Automatic Firechecks, Safety Blowouts, or Backfire Preventers.** Automatic firechecks and safety blowouts or backfire preventers shall be provided in piping systems distributing flammable air-gas mixtures from gas-mixing machines to protect the piping and the machines in the event of flashback, in accordance with the following:

- (1)\*Approved automatic firechecks shall be installed upstream as close as practicable to the burner inlets following the firecheck manufacturers' instructions.
- (2) A separate manually operated gas valve shall be provided at each automatic firecheck for shutting off the flow of gas-air mixture through the firecheck after a flashback has occurred. The valve shall be located upstream as close as practical to the inlet of the automatic firecheck. Caution: these valves shall not be reopened after a flashback has occurred until the firecheck has cooled sufficiently to prevent re-ignition of the flammable mixture and has been reset properly.
- (3) A safety blowout or backfiring preventer shall be provided in the mixture line near the outlet of each gas-mixing machine where the size of the piping is larger than 2½ in. NPS, or equivalent, to protect the mixing equipment in the event of an explosion passing through an automatic firecheck. The manufacturers' instructions shall be followed when installing these devices, particularly after a disc has burst. The discharge from the safety blowout or backfire preventer shall be located or shielded so that particles from the ruptured disc cannot be directed toward personnel. Wherever there are interconnected installations of gas-mixing machines with safety blowouts or backfire preventers, provision shall be made to keep the mixture from other machines from reaching any ruptured disc opening. Check valves shall not be used for this purpose.
- (4) Large-capacity premix systems provided with explosion heads (rupture disc) to relieve excessive pressure in pipelines shall be located at and vented to a safe outdoor location. Provisions shall be provided for automatically shutting off the supply of the gas-air mixture in the event of rupture.

### 7.13 Electrical Bonding and Grounding.

**7.13.1 Pipe and Tubing Other than CSST.** Each aboveground portion of a gas piping system other than CSST that is likely to become energized shall be electrically continuous and bonded to an effective ground-fault current path. Gas piping, other than CSST, shall be considered to be bonded when it is

connected to appliances that are connected to the appliance grounding conductor of the circuit supplying that appliance.

**7.13.2 CSST.** CSST gas piping systems shall be bonded to the electrical service grounding electrode system at the point where the gas service enters the building. The bonding jumper shall not be smaller than 6 AWG copper wire or equivalent.

**7.13.3 Prohibited Use.** Gas piping shall not be used as a grounding conductor or electrode. This does not preclude the bonding of metallic piping to a grounding system.

**7.13.4\* Lightning Protection Systems.** Where a lightning protection system is installed, the bonding of the gas piping shall be in accordance with NFPA 780, *Standard for the Installation of Lightning Protection Systems*.

**7.14 Electrical Circuits.** Electrical circuits shall not utilize gas piping or components as conductors.

*Exception: Low-voltage (50 V or less) control circuits, ignition circuits, and electronic flame detection device circuits shall be permitted to make use of piping or components as a part of an electric circuit.*

### 7.15 Electrical Connections.

**7.15.1** All electrical connections between wiring and electrically operated control devices in a piping system shall conform to the requirements of NFPA 70, *National Electrical Code*. (See Section 7.13.)

**7.15.2** Any essential safety control depending on electric current as the operating medium shall be of a type that shuts off (fail safe) the flow of gas in the event of current failure.

## Chapter 8 Inspection, Testing, and Purging

### 8.1 Pressure Testing and Inspection.

#### 8.1.1\* General.

**8.1.1.1** Prior to acceptance and initial operation, all piping installations shall be inspected and pressure tested to determine that the materials, design, fabrication, and installation practices comply with the requirements of this code.

**8.1.1.2** Inspection shall consist of visual examination, during or after manufacture, fabrication, assembly, or pressure tests as appropriate. Supplementary types of nondestructive inspection techniques, such as magnetic-particle, radiographic, and ultrasonic, shall not be required unless specifically listed herein or in the engineering design.

**8.1.1.3** Where repairs or additions are made following the pressure test, the affected piping shall be tested. Minor repairs and additions are not required to be pressure tested, provided that the work is inspected and connections are tested with a noncorrosive leak-detecting fluid or other leak-detecting methods approved by the authority having jurisdiction.

**8.1.1.4** Where new branches are installed to new appliance(s), only the newly installed branch(es) shall be required to be pressure tested. Connections between the new piping and the existing piping shall be tested with a noncorrosive leak-detecting fluid or approved leak-detecting methods.

**8.1.1.5** A piping system shall be tested as a complete unit or in sections. Under no circumstances shall a valve in a line be used as a bulkhead between gas in one section of the piping system and test medium in an adjacent section, unless two valves are



installed in series with a valved “telltale” located between these valves. A valve shall not be subjected to the test pressure unless it can be determined that the valve, including the valve closing mechanism, is designed to safely withstand the pressure.

**8.1.1.6** Regulator and valve assemblies fabricated independently of the piping system in which they are to be installed shall be permitted to be tested with inert gas or air at the time of fabrication.

**8.1.2 Test Medium.** The test medium shall be air, nitrogen, carbon dioxide, or an inert gas.

OXYGEN SHALL NEVER BE USED.

### 8.1.3 Test Preparation.

**8.1.3.1** Pipe joints, including welds, shall be left exposed for examination during the test.

*Exception: Covered or concealed pipe end joints that have been previously tested in accordance with this code.*

**8.1.3.2** Expansion joints shall be provided with temporary restraints, if required, for the additional thrust load under test.

**8.1.3.3** Appliances and equipment that are not to be included in the test shall be either disconnected from the piping or isolated by blanks, blind flanges, or caps. Flanged joints at which blinds are inserted to blank off other equipment during the test shall not be required to be tested.

**8.1.3.4** Where the piping system is connected to appliances or equipment designed for operating pressures of less than the test pressure, such appliances or equipment shall be isolated from the piping system by disconnecting them and capping the outlet(s).

**8.1.3.5** Where the piping system is connected to appliances or equipment designed for operating pressures equal to or greater than the test pressure, such appliances or equipment shall be isolated from the piping system by closing the individual appliance or equipment shutoff valve(s).

**8.1.3.6** All testing of piping systems shall be done with due regard for the safety of employees and the public during the test. Bulkheads, anchorage, and bracing suitably designed to resist test pressures shall be installed if necessary. Prior to testing, the interior of the pipe shall be cleared of all foreign material.

### 8.1.4 Test Pressure.

**8.1.4.1** Test pressure shall be measured with a manometer or with a pressure measuring device designed and calibrated to read, record, or indicate a pressure loss due to leakage during the pressure test period. The source of pressure shall be isolated before the pressure tests are made. Mechanical gauges used to measure test pressures shall have a range such that the highest end of the scale is not greater than 5 times the test pressure.

**8.1.4.2** The test pressure to be used shall be no less than 1½ times the proposed maximum working pressure, but not less than 3 psi (20 kPa), irrespective of design pressure. Where the test pressure exceeds 125 psi (862 kPa), the test pressure shall not exceed a value that produces a hoop stress in the piping greater than 50 percent of the specified minimum yield strength of the pipe.

**8.1.4.3\*** Test duration shall be not less than ½ hour for each 500 ft<sup>3</sup> (14 m<sup>3</sup>) of pipe volume or fraction thereof. When testing a system having a volume less than 10 ft<sup>3</sup> (0.28 m<sup>3</sup>) or a

system in a single-family dwelling, the test duration shall be a minimum of 10 minutes. The duration of the test shall not be required to exceed 24 hours.

### 8.1.5 Detection of Leaks and Defects.

**8.1.5.1** The piping system shall withstand the test pressure specified without showing any evidence of leakage or other defects. Any reduction of test pressures as indicated by pressure gauges shall be deemed to indicate the presence of a leak unless such reduction can be readily attributed to some other cause.

**8.1.5.2** The leakage shall be located by means of an approved gas detector, a noncorrosive leak detection fluid, or other approved leak detection methods. **Matches, candles, open flames, or other methods that provide a source of ignition shall not be used.**

**8.1.5.3** Where leakage or other defects are located, the affected portion of the piping system shall be repaired or replaced and retested. (See 8.1.1.3.)

### 8.2 Piping System Leak Check.

**8.2.1 Test Gases.** Leak checks using fuel gas shall be permitted in piping systems that have been pressure tested in accordance with Section 8.1.

**8.2.2 Turning Gas On.** During the process of turning gas on into a system of new gas piping, the entire system shall be inspected to determine that there are no open fittings or ends and that all valves at unused outlets are closed and plugged or capped.

**8.2.3\* Leak Check.** Immediately after the gas is turned on into a new system or into a system that has been initially restored after an interruption of service, the piping system shall be checked for leakage. Where leakage is indicated, the gas supply shall be shut off until the necessary repairs have been made.

**8.2.4 Placing Appliances and Equipment in Operation.** Appliances and equipment shall not be placed in operation until after the piping system has been tested in accordance with 8.2.3 and purged in accordance with 8.3.2.

### 8.3\* Purging.

**8.3.1 Removal from Service.** When gas piping is to be opened for an addition, a modification, or service, the section to be worked on shall be turned off from the gas supply at the nearest convenient point and the line pressure vented to the outdoors or to ventilated areas of sufficient size to prevent accumulation of flammable mixtures. The remaining gas in this section of pipe shall be displaced with an inert gas as required by Table 8.3.1.

**8.3.2 Placing in Operation.** When piping full of air is placed in operation, the air in the piping shall be displaced with fuel gas, except where such piping is required by Table 8.3.2 to be purged with an inert gas prior to introduction of fuel gas. The air can be safely displaced with fuel gas, provided that a moderately rapid and continuous flow of fuel gas is introduced at one end of the line and air is vented out at the other end. The fuel gas flow shall be continued without interruption until the vented gas is free of air. The point of discharge shall not be left unattended during purging. After purging, the vent shall then be closed. Where required by Table 8.3.2, the air in the piping shall first be displaced with an inert gas, and the inert gas shall then be displaced with fuel gas.

**Table 8.3.1 Length of Piping Requiring Purging with Inert Gas for Servicing or Modification**

Nominal Pipe Size (in.)	Length of Piping Requiring Purging (ft)
2½	> 50
3	> 30
4	> 15
6	> 10
8 or larger	Any length

For SI units, 1 ft = 0.305 m.

**Table 8.3.2 Length of Piping Requiring Purging with Inert Gas Before Being Placed in Operation**

Nominal Pipe Size (in.)	Length of Piping Requiring Purging (ft)
3	> 30
4	> 15
6	> 10
8 or larger	Any length

For SI units, 1 ft = 0.305 m.

**8.3.3 Discharge of Purged Gases.** The open end of piping systems being purged shall not discharge into confined spaces or areas where there are sources of ignition unless precautions are taken to perform this operation in a safe manner by ventilation of the space, control of purging rate, and elimination of all hazardous conditions.

**8.3.4 Placing Appliances and Equipment in Operation.** After the piping system has been placed in operation, all appliances and equipment shall be purged and then placed in operation, as necessary.

## Chapter 9 Appliance, Equipment, and Accessory Installation

### 9.1 General.

**9.1.1\* Appliances, Equipment, and Accessories to Be Approved.** Appliances, equipment, and accessories shall be approved.

**9.1.1.1** Approved shall mean “acceptable to the authority having jurisdiction.”

**9.1.1.2** Listed appliances, equipment, and accessories shall be installed in accordance with Chapter 8 and the manufacturers’ installation instructions.

**9.1.1.3** Acceptance of unlisted appliances, equipment, and accessories shall be on the basis of a sound engineering evaluation.

**9.1.1.4** The unlisted appliance, equipment, or accessory shall be safe and suitable for the proposed service and shall be recommended for the service by the manufacturer.

**9.1.2 Added or Converted Appliances.** When additional or replacement appliances or equipment is installed or an appliance is converted to gas from another fuel, the location in which the appliances or equipment is to be operated shall be checked to verify the following:

- (1) Air for combustion and ventilation is provided where required, in accordance with the provisions of Section 9.3. Where existing facilities are not adequate, they shall be upgraded to meet Section 9.3 specifications.
- (2) The installation components and appliances meet the clearances to combustible material provisions of 9.2.2. It shall be determined that the installation and operation of the additional or replacement appliances do not render the remaining appliances unsafe for continued operation.
- (3) The venting system is constructed and sized in accordance with the provisions of Chapter 12. Where the existing venting system is not adequate, it shall be upgraded to comply with Chapter 12.

**9.1.3 Type of Gas(es).** It shall be determined whether the appliance has been designed for use with the gas to which it will be connected. No attempt shall be made to convert the appliance from the gas specified on the rating plate for use with a different gas without consulting the installation instruction, the serving gas supplier, or the appliance manufacturer for complete instructions.

**9.1.4 Safety Shutoff Devices for Unlisted LP-Gas Appliances Used Indoors.** Unlisted appliances for use with undiluted LP-Gases and installed indoors, except attended laboratory equipment, shall be equipped with safety shutoff devices of the complete shutoff type.

**9.1.5 Use of Air or Oxygen Under Pressure.** Where air or oxygen under pressure is used in connection with the gas supply, effective means such as a back-pressure regulator and relief valve shall be provided to prevent air or oxygen from passing back into the gas piping. Where oxygen is used, installation shall be in accordance with NFPA 51, *Standard for the Design and Installation of Oxygen-Fuel Gas Systems for Welding, Cutting, and Allied Processes*.

**9.1.6\* Protection of Appliances from Fumes or Gases Other than Products of Combustion.**

**9.1.6.1** Where corrosive or flammable process fumes or gases are present, means for their safe disposal shall be provided. Such fumes or gases include carbon monoxide, hydrogen sulfide, ammonia, chlorine, and halogenated hydrocarbons.

**9.1.6.2** Non-direct-vent appliances installed in beauty shops, barber shops, or other facilities where chemicals that generate corrosive or flammable products such as aerosol sprays are routinely used shall be located in a mechanical room separate or partitioned off from other areas with provisions for combustion and dilution air from outdoors. Direct vent appliances shall be in accordance with the appliance manufacturer’s installation instructions.

**9.1.7 Process Air.** In addition to air needed for combustion in commercial or industrial processes, process air shall be provided as required for cooling of appliances, equipment, or material; for controlling dew point, heating, drying, oxidation, dilution, safety exhaust, odor control, and air for

compressors; and for comfort and proper working conditions for personnel.

### 9.1.8 Building Structural Members.

**9.1.8.1** Structural members of a building shall not pass through appliances having an operating temperature in excess of 500°F (260°C).

**9.1.8.2** Structural members passing through appliances having an operating temperature of 500°F (260°C) or less shall be of noncombustible material. Building columns, girders, beams, or trusses shall not be installed within appliances, unless insulation and ventilation are provided to avoid all deterioration in strength and linear expansion of the building structure in either a vertical or a horizontal direction.

**9.1.8.3** Appliances and equipment shall be furnished either with load distributing bases or with a sufficient number of supports to prevent damage to either the building structure or appliance and equipment.

**9.1.8.4** At the locations selected for installation of appliances and equipment, the dynamic and static load carrying capacities of the building structure shall be checked to determine whether they are adequate to carry the additional loads. The appliances and equipment shall be supported and shall be connected to the piping so as not to exert undue stress on the connections.

**9.1.9 Flammable Vapors.** Appliances shall not be installed in areas where the open use, handling, or dispensing of flammable liquids occurs, unless the design, operation, or installation reduces the potential of ignition of the flammable vapors. Appliances installed in compliance with 9.1.10 through 9.1.12 shall be considered to comply with the intent of this provision.

### 9.1.10 Installation in Residential Garages.

**9.1.10.1** Appliances in residential garages and in adjacent spaces that open to the garage and are not part of the living space of a dwelling unit shall be installed so that all burners and burner ignition devices are located not less than 18 in. (460 mm) above the floor unless listed as flammable vapor ignition resistant.

**9.1.10.2** Such appliances shall be located or protected so they are not subject to physical damage by a moving vehicle.

**9.1.10.3** Where appliances are installed in a separate, enclosed space having access only from outside of the garage, such appliances shall be permitted to be installed at floor level, providing the required combustion air is taken from the exterior of the garage.

### 9.1.11 Installation in Commercial Garages.

**9.1.11.1 Parking Structures.** Appliances installed in enclosed, basement, and underground parking structures shall be installed in accordance with NFPA 88A, *Standard for Parking Structures*.

**9.1.11.2 Repair Garages.** Appliances installed in repair garages shall be installed in a detached building or room, separated from repair areas by walls or partitions, floors, or floor ceiling assemblies that are constructed so as to prohibit the transmission of vapors and having a fire resistance rating of not less than 1 hour, and that have no openings in the wall separating the repair area within 8 ft (2.4 m) of the floor. Wall penetrations shall be firestopped. Air for combustion purposes shall be obtained from the outdoors. The heating room shall not be used for the storage of combustible materials.

*Exception No. 1: Overhead heaters where installed not less than 8 ft (2.4 m) above the floor shall be permitted.*

*Exception No. 2: Heating appliances for vehicle repair areas where there is no dispensing or transferring of Class I or Class II flammable or combustible liquids or LP-Gas shall be installed in accordance with NFPA 30A, Code for Motor Fuel Dispensing Facilities and Repair Garages.*

**9.1.12 Installation in Aircraft Hangars.** Heaters in aircraft hangars shall be installed in accordance with NFPA 409, *Standard on Aircraft Hangars*.

**9.1.13 Appliance Physical Protection.** Where it is necessary to locate appliances close to a passageway traveled by vehicles or machinery, guardrails or bumper plates shall be installed to protect the equipment from damage.

**9.1.14 Venting of Flue Gases.** Appliances shall be vented in accordance with the provisions of Chapter 12.

**9.1.15 Extra Device or Attachment.** No device or attachment shall be installed on any appliance that could in any way impair the combustion of gas.

**9.1.16 Adequate Capacity of Piping.** When additional appliances are being connected to a gas piping system, the existing piping shall be checked to determine whether it has adequate capacity. (See Section 5.4.) Where inadequate, the existing system shall be enlarged as necessary, or separate gas piping of adequate capacity shall be run from the point of delivery to the appliance.

**9.1.17 Avoiding Strain on Gas Piping.** Appliances shall be supported and connected to the piping so as not to exert undue strain on the connections.

**9.1.18 Gas Appliance Pressure Regulators.** Where the gas supply pressure is higher than that at which the appliance is designed to operate or varies beyond the design pressure limits of the appliance, a gas appliance pressure regulator shall be installed.

**9.1.19 Venting of Gas Appliance Pressure Regulators.** Venting of gas appliance pressure regulators shall comply with the following requirements:

- (1) Appliance pressure regulators requiring access to the atmosphere for successful operation shall be equipped with vent piping leading outdoors or, if the regulator vent is an integral part of the appliance, into the combustion chamber adjacent to a continuous pilot, unless constructed or equipped with a vent limiting means to limit the escape of gas from the vent opening in the event of diaphragm failure.
- (2) Vent limiting means shall be employed on listed appliance pressure regulators only.
- (3) In the case of vents leading outdoors, means shall be employed to prevent water from entering this piping and also to prevent blockage of vents by insects and foreign matter.
- (4) Under no circumstances shall a regulator be vented to the appliance flue or exhaust system.
- (5) In the case of vents entering the combustion chamber, the vent shall be located so the escaping gas is readily ignited by the pilot and the heat liberated thereby does not adversely affect the normal operation of the safety shutoff system. The terminus of the vent shall be securely held in a fixed position relative to the pilot. For manufactured gas, the need for a flame arrester in the vent piping shall be determined.





- (6) A vent line(s) from an appliance pressure regulator and a bleed line(s) from a diaphragm-type valve shall not be connected to a common manifold terminating in a combustion chamber. Vent lines shall not terminate in positive-pressure-type combustion chambers.

**9.1.20 Bleed Lines for Diaphragm-Type Valves.** Bleed lines shall comply with the following requirements:

- (1) Diaphragm-type valves shall be equipped to convey bleed gas to the outdoors or into the combustion chamber adjacent to a continuous pilot.
- (2) In the case of bleed lines leading outdoors, means shall be employed to prevent water from entering this piping and also to prevent blockage of vents by insects and foreign matter.
- (3) Bleed lines shall not terminate in the appliance flue or exhaust system.
- (4) In the case of bleed lines entering the combustion chamber, the bleed line shall be located so the bleed gas is readily ignited by the pilot and the heat liberated thereby does not adversely affect the normal operation of the safety shutoff system. The terminus of the bleed line shall be securely held in a fixed position relative to the pilot. For manufactured gas, the need for a flame arrester in the bleed line piping shall be determined.
- (5) A bleed line(s) from a diaphragm-type valve and a vent line(s) from an appliance pressure regulator shall not be connected to a common manifold terminating in a combustion chamber. Bleed lines shall not terminate in positive-pressure-type combustion chambers.

**9.1.21 Combination of Appliances and Equipment.** Any combination of appliances, equipment, attachments, or devices used together in any manner shall comply with the standards that apply to the individual appliance and equipment.

**9.1.22 Installation Instructions.** The installing agency shall conform to the appliance and equipment manufacturers' recommendations in completing an installation. The installing agency shall leave the manufacturers' installation, operating, and maintenance instructions in a location on the premises where they are readily available for reference and guidance of the authority having jurisdiction, service personnel, and the owner or operator.

**9.1.23 Protection of Outdoor Appliances.** Appliances not listed for outdoor installation but installed outdoors shall be provided with protection to the degree that the environment requires. Appliances listed for outdoor installation shall be permitted to be installed without protection in accordance with the manufacturer's installation instructions. (See 9.2.1.)

## 9.2 Accessibility and Clearance.

**9.2.1 Accessibility for Service.** All appliances shall be located with respect to building construction and other equipment so as to permit access to the appliance. Sufficient clearance shall be maintained to permit cleaning of heating surfaces; the replacement of filters, blowers, motors, burners, controls, and vent connections; the lubrication of moving parts where necessary; the adjustment and cleaning of burners and pilots; and the proper functioning of explosion vents, if provided. For attic installation, the passageway and servicing area adjacent to the appliance shall be floored.

**9.2.2 Clearance to Combustible Materials.** Appliances and their vent connectors shall be installed with clearances from combustible material so their operation does not create a hazard to

persons or property. Minimum clearances between combustible walls and the back and sides of various conventional types of appliances and their vent connectors are specified in Chapters 10 and 12. (Reference can also be made to NFPA 211, *Standard for Chimneys, Fireplaces, Vents, and Solid Fuel-Burning Appliances.*)

**9.2.3 Installation on Carpeting.** Appliances shall not be installed on carpeting, unless the appliances are listed for such installation.

## 9.3\* Air for Combustion and Ventilation.

### 9.3.1 General.

**9.3.1.1** Air for combustion, ventilation, and dilution of flue gases for appliances installed in buildings shall be obtained by application of one of the methods covered in 9.3.2 through 9.3.6. Where the requirements of 9.3.2 are not met, outdoor air shall be introduced in accordance with methods covered in 9.3.3 through 9.3.6.

*Exception No. 1: This provision shall not apply to direct vent appliances.*

*Exception No. 2: Type I clothes dryers that are provided with make-up air in accordance with 10.4.3.*

**9.3.1.2** Appliances of other than natural draft design and other than Category I vented appliances shall be provided with combustion, ventilation, and dilution air in accordance with the appliance manufacturer's instructions.

**9.3.1.3** Appliances shall be located so as not to interfere with proper circulation of combustion, ventilation, and dilution air.

**9.3.1.4** Where used, a draft hood or a barometric draft regulator shall be installed in the same room or enclosure as the appliance served so as to prevent any difference in pressure between the hood or regulator and the combustion air supply.

**9.3.1.5** Where exhaust fans, clothes dryers, and kitchen ventilation systems interfere with the operation of appliances, makeup air shall be provided.

**9.3.2 Indoor Combustion Air.** The required volume of indoor air shall be determined in accordance with the method in 9.3.2.1 or 9.3.2.2 except that where the air infiltration rate is known to be less than 0.40 ACH (air change per hour), the method in 9.3.2.2 shall be used. The total required volume shall be the sum of the required volume calculated for all appliances located within the space. Rooms communicating directly with the space in which the appliances are installed through openings not furnished with doors, and through combustion air openings sized and located in accordance with 9.3.2.3, are considered a part of the required volume.

**9.3.2.1\* Standard Method.** The minimum required volume shall be 50 ft<sup>3</sup>/1000 Btu/hr (4.8 m<sup>3</sup>/kW).

**9.3.2.2\* Known Air Infiltration Rate Method.** Where the air infiltration rate of a structure is known, the minimum required volume shall be determined as follows:

- (1) For appliances other than fan assisted, calculate using the following equation:

$$\text{Required Volume}_{\text{other}} \geq \frac{21 \text{ ft}^3}{\text{ACH}} \left( \frac{I_{\text{other}}}{1000 \text{ Btu/hr}} \right)$$

- (2) For fan-assisted appliances, calculate using the following equation:

$$\text{Required Volume}_{fan} \geq \frac{15 \text{ ft}^3}{ACH} \left( \frac{I_{fan}}{1000 \text{ Btu/hr}} \right)$$

where:

$I_{other}$  = all appliances other than fan-assisted input (Btu/hr)

$I_{fan}$  = fan-assisted appliance input (Btu/hr)

$ACH$  = air change per hour (percent of volume of space exchanged per hour, expressed as a decimal)

- (3) For purposes of this calculation, an infiltration rate greater than 0.60  $ACH$  shall not be used in the equations in 9.3.2.2(1) and 9.3.2.2(2).

**9.3.2.3 Indoor Opening Size and Location.** Openings used to connect indoor spaces shall be sized and located in accordance with the following:

- (1)\**Combining spaces on the same story.* Each opening shall have a minimum free area of 1 in.<sup>2</sup>/1000 Btu/hr (2200 mm<sup>2</sup>/kW) of the total input rating of all appliances in the space but not less than 100 in.<sup>2</sup> (0.06 m<sup>2</sup>). One opening shall commence within 12 in. (300 mm) of the top, and one opening shall commence within 12 in. (300 mm) of the bottom, of the enclosure [see Figure A.9.3.2.3(1)]. The minimum dimension of air openings shall not be less than 3 in. (80 mm).
- (2) *Combining spaces in different stories.* The volumes of spaces in different stories shall be considered as communicating spaces where such spaces are connected by one or more openings in doors or floors having a total minimum free area of 2 in.<sup>2</sup>/1000 Btu/hr (4400 mm<sup>2</sup>/kW) of total input rating of all appliances.

**9.3.3 Outdoor Combustion Air.** Outdoor combustion air shall be provided through opening(s) to the outdoors in accordance with the methods in 9.3.3.1 or 9.3.3.2. The minimum dimension of air openings shall not be less than 3 in. (80 mm).

**9.3.3.1 Two Permanent Openings Method.** Two permanent openings, one commencing within 12 in. (300 mm) of the top and one commencing within 12 in. (300 mm) of the bottom, of the enclosure shall be provided. The openings shall communicate directly, or by ducts, with the outdoors or spaces that freely communicate with the outdoors, as follows:

- (1)\*Where directly communicating with the outdoors or where communicating to the outdoors through vertical ducts, each opening shall have a minimum free area of 1 in.<sup>2</sup>/4000 Btu/hr (550 mm<sup>2</sup>/kW) of total input rating of all appliances in the enclosure. [See Figure A.9.3.3.1(1)(a) and Figure A.9.3.3.1(1)(b).]
- (2)\*Where communicating with the outdoors through horizontal ducts, each opening shall have a minimum free area of 1 in.<sup>2</sup>/2000 Btu/hr (1100 mm<sup>2</sup>/kW) of total input rating of all appliances in the enclosure. [See Figure A.9.3.3.1(2).]

**9.3.3.2\* One Permanent Opening Method.** One permanent opening, commencing within 12 in. (300 mm) of the top of the enclosure, shall be provided. The appliance shall have clearances of at least 1 in. (25 mm) from the sides and back and 6 in. (150 mm) from the front of the appliance. The opening shall directly communicate with the outdoors or shall communicate through a vertical or horizontal duct to the outdoors or spaces that freely communicate with the outdoors (see Figure A.9.3.3.2) and shall have a minimum free area of the following:

- (1) 1 in.<sup>2</sup>/3000 Btu/hr (700 mm<sup>2</sup>/kW) of the total input rating of all appliances located in the enclosure
- (2) Not less than the sum of the areas of all vent connectors in the space

**9.3.4 Combination Indoor and Outdoor Combustion Air.** The use of a combination of indoor and outdoor combustion air shall be in accordance with the following (see example calculation in Annex J):

- (1) *Indoor Openings.* Where used, openings connecting the interior spaces shall comply with 9.3.2.3.
- (2) *Outdoor Opening(s) Location.* Outdoor opening(s) shall be located in accordance with 9.3.3.
- (3) *Outdoor Opening(s) Size.* The outdoor opening(s) size shall be calculated in accordance with the following:
- The ratio of the interior spaces shall be the available volume of all communicating spaces divided by the required volume.
  - The outdoor size reduction factor shall be 1 minus the ratio of interior spaces.
  - The minimum size of outdoor opening(s) shall be the full size of outdoor opening(s) calculated in accordance with 9.3.3, multiplied by the reduction factor. The minimum dimension of air openings shall not be less than 3 in. (80 mm).

**9.3.5 Engineered Installations.** Engineered combustion air installations shall provide an adequate supply of combustion, ventilation, and dilution air and shall be approved by the authority having jurisdiction.

**9.3.6 Mechanical Combustion Air Supply.** Where all combustion air is provided by a mechanical air supply system, the combustion air shall be supplied from outdoors at the minimum rate of 0.35 ft<sup>3</sup>/min/1000 Btu/hr (0.034 m<sup>3</sup>/min/kW) for all appliances located within the space.

**9.3.6.1** Where exhaust fans are installed, additional air shall be provided to replace the exhausted air.

**9.3.6.2** Each of the appliances served shall be interlocked to the mechanical air supply system to prevent main burner operation where the mechanical air supply system is not in operation.

**9.3.6.3** Where combustion air is provided by the building's mechanical ventilation system, the system shall provide the specified combustion air rate in addition to the required ventilation air.

### 9.3.7 Louvers, Grilles, and Screens.

**9.3.7.1 Louvers and Grilles.** The required size of openings for combustion, ventilation, and dilution air shall be based on the net free area of each opening. Where the free area through a design of louver, grille, or screen is known, it shall be used in calculating the size opening required to provide the free area specified. Where the louver and grille design and free area are not known, it shall be assumed that wood louvers have 25 percent free area, and metal louvers and grilles have 75 percent free area. Nonmotorized louvers and grilles shall be fixed in the open position.

**9.3.7.2 Minimum Screen Mesh Size.** Screens shall not be smaller than ¼ in. mesh.

**9.3.7.3 Motorized Louvers.** Motorized louvers shall be interlocked with the appliance so they are proven in the full open position prior to main burner ignition and during main burner operation. Means shall be provided to prevent the

main burner from igniting should the louver fail to open during burner startup and to shut down the main burner if the louvers close during burner operation.

**9.3.8 Combustion Air Ducts.** Combustion air ducts shall comply with 9.3.8.1 through 9.3.8.8.

**9.3.8.1** Ducts shall be constructed of galvanized steel or a material having equivalent corrosion resistance, strength, and rigidity.

*Exception: Within dwellings units, unobstructed stud and joist spaces shall not be prohibited from conveying combustion air, provided that not more than one fireblock is removed.*

**9.3.8.2** Ducts shall terminate in an unobstructed space, allowing free movement of combustion air to the appliances.

**9.3.8.3** Ducts shall serve a single space.

**9.3.8.4** Ducts shall not serve both upper and lower combustion air openings where both such openings are used. The separation between ducts serving upper and lower combustion air openings shall be maintained to the source of combustion air.

**9.3.8.5** Ducts shall not be screened where terminating in an attic space.

**9.3.8.6** Horizontal upper combustion air ducts shall not slope downward toward the source of combustion air.

**9.3.8.7** The remaining space surrounding a chimney liner, gas vent, special gas vent, or plastic piping installed within a masonry, metal, or factory built chimney shall not be used to supply combustion air.

*Exception: Direct vent appliances designed for installation in a solid fuel burning fireplace where installed in accordance with the manufacturer's installation instructions.*

**9.3.8.8** Combustion air intake openings located on the exterior of the building shall have the lowest side of the combustion air intake openings located at least 12 in. (300 mm) vertically from the adjoining finished ground level.

## 9.4 Appliances on Roofs.

### 9.4.1 General.

**9.4.1.1** Appliances on roofs shall be designed or enclosed so as to withstand climatic conditions in the area in which they are installed. Where enclosures are provided, each enclosure shall permit easy entry and movement, shall be of reasonable height, and shall have at least a 30 in. (760 mm) clearance between the entire service access panel(s) of the appliance and the wall of the enclosure.

**9.4.1.2** Roofs on which appliances are to be installed shall be capable of supporting the additional load or shall be reinforced to support the additional load.

**9.4.1.3** All access locks, screws, and bolts shall be of corrosion-resistant material.

### 9.4.2 Installation of Appliances on Roofs.

**9.4.2.1** Appliances shall be installed in accordance with the manufacturers' installation instructions.

**9.4.2.2** Appliances shall be installed on a well-drained surface of the roof. At least 6 ft (1.8 m) of clearance shall be available between any part of the appliance and the edge of a roof or similar hazard, or rigidly fixed rails, guards, parapets, or other

building structures at least 42 in. (1.1 m) in height shall be provided on the exposed side.

**9.4.2.3** All appliances requiring an external source of electrical power for its operation shall be provided with the following:

- (1) A readily accessible electrical disconnecting means within sight of the appliance that completely de-energizes the appliance
- (2) A 120 V ac grounding-type receptacle outlet on the roof adjacent to the appliance on the supply side of the disconnect switch

**9.4.2.4** Where water stands on the roof at the appliance or in the passageways to the appliance, or where the roof is of a design having a water seal, a suitable platform, walkway, or both shall be provided above the water line. Such platform(s) or walkway(s) shall be located adjacent to the appliance and control panels so that the appliance can be safely serviced where water stands on the roof.

### 9.4.3 Access to Appliances on Roofs.

**9.4.3.1** Appliances located on roofs or other elevated locations shall be accessible.

**9.4.3.2** Buildings of more than 15 ft (4.6 m) in height shall have an inside means of access to the roof, unless other means acceptable to the authority having jurisdiction are used.

**9.4.3.3** The inside means of access shall be a permanent or foldaway inside stairway or ladder, terminating in an enclosure, scuttle, or trapdoor. Such scuttles or trapdoors shall be at least 22 in. × 24 in. (560 mm × 610 mm) in size, shall open easily and safely under all conditions, especially snow, and shall be constructed so as to permit access from the roof side unless deliberately locked on the inside. At least 6 ft (1.8 m) of clearance shall be available between the access opening and the edge of the roof or similar hazard, or rigidly fixed rails or guards a minimum of 42 in. (1.1 m) in height shall be provided on the exposed side. Where parapets or other building structures are utilized in lieu of guards or rails, they shall be a minimum of 42 in. (1.1 m) in height.

**9.4.3.4** Permanent lighting shall be provided at the roof access. The switch for such lighting shall be located inside the building near the access means leading to the roof.

**9.4.4 Additional Provisions.** Also see 9.1.23, 9.2.1, and 12.4.3.

### 9.5 Appliances in Attics.

**9.5.1 Attic Access.** An attic in which an appliance is installed shall be accessible through an opening and passageway at least as large as the largest component of the appliance and not less than 22 in. × 30 in. (560 mm × 760 mm).

**9.5.1.1** Where the height of the passageway is less than 6 ft (1.8 m), the distance from the passageway access to the appliance shall not exceed 20 ft (6.1 m) measured along the centerline of the passageway.

**9.5.1.2** The passageway shall be unobstructed and shall have solid flooring not less than 24 in. (610 mm) wide from the entrance opening to the appliance.

**9.5.2 Work Platform.** A level working platform not less than 30 in. × 30 in. (760 mm × 760 mm) shall be provided in front of the service side of the appliance.

**9.5.3 Lighting and Convenience Outlet.** A permanent 120 V receptacle outlet and a lighting fixture shall be installed near



the appliance. The switch controlling the lighting fixture shall be located at the entrance to the passageway.

## 9.6 Appliance and Equipment Connections to Building Piping.

**9.6.1 Connecting Appliances and Equipment.** Appliances and equipment shall be connected to the building piping in compliance with 9.6.4 through 9.6.6 by one of the following:

- (1) Rigid metallic pipe and fittings.
- (2) Semirigid metallic tubing and metallic fittings. Aluminum alloy tubing shall not be used in exterior locations.
- (3) A listed connector in compliance with ANSI Z21.24/CSA 6.10, *Standard for Connectors for Gas Appliances*. The connector shall be used in accordance with the manufacturer's installation instructions and shall be in the same room as the appliance. Only one connector shall be used per appliance.
- (4) A listed connector in compliance with ANSI Z21.75/CSA 6.27, *Connectors for Outdoor Gas Appliances and Manufactured Homes*. Only one connector shall be used per appliance.
- (5) CSST where installed in accordance with the manufacturer's installation instructions.
- (6) Listed nonmetallic gas hose connectors in accordance with 9.6.2.
- (7) In 9.6.1(2), 9.6.1(3), 9.6.1(4), 9.6.1(5), and 9.6.1(6), the connector or tubing shall be installed so as to be protected against physical and thermal damage. Aluminum alloy tubing and connectors shall be coated to protect against external corrosion where they are in contact with masonry, plaster, or insulation or are subject to repeated wettings by such liquids as water (except rain water), detergents, or sewage.
- (8) Materials addressed in 9.6.1(2), 9.6.1(3), 9.6.1(4), 9.6.1(5), and 9.6.1(6) shall not be installed through an opening in an appliance housing, cabinet, or casing, unless the tubing or connector is protected against damage.

**9.6.1.1 Commercial Cooking Appliances.** Commercial cooking appliances that are moved for cleaning and sanitation purposes shall be connected in accordance with the connector manufacturer's installation instructions using a listed appliance connector complying with ANSI Z21.69/CSA 6.22, *Connectors for Movable Gas Appliances*. The commercial cooking appliance connector installation shall be configured in accordance with the manufacturer's installation instructions.

**9.6.1.2** Movement of appliances with casters shall be limited by a restraining device installed in accordance with the connector and appliance manufacturer's installation instructions.

**9.6.1.3\* Suspended Low-Intensity Infrared Tube Heaters.** Suspended low-intensity infrared tube heaters shall be connected to the building piping system with a connector listed for the application in accordance with ANSI Z21.24/CGA 6.10, *Standard for Connectors for Gas Appliances*.

(A) The connector shall be installed in accordance with the tube heater installation instructions and shall be in the same room as the appliance.

(B) Only one connector shall be used per appliance.

**9.6.2 Use of Nonmetallic Gas Hose Connectors.** Listed gas hose connectors shall be used in accordance with the manufacturer's installation instructions and as follows:

- (1) *Indoor.* Indoor gas hose connectors shall be used only to connect laboratory, shop, and ironing appliances requiring mobility during operation.

- (a) An appliance shutoff valve shall be installed where the connector is attached to the building piping.
  - (b) The connector shall be of minimum length and shall not exceed 6 ft (1.8 m).
  - (c) The connector shall not be concealed and shall not extend from one room to another or pass through wall partitions, ceilings, or floors.
- (2) *Outdoor.* Outdoor gas hose connectors are permitted to connect portable outdoor appliances.
- (a) An appliance shutoff valve, a listed quick-disconnect device, or a listed gas convenience outlet shall be installed where the connector is attached to the supply piping and in such a manner so as to prevent the accumulation of water or foreign matter.
  - (b) This connection shall be made only in the outdoor area where the appliance is to be used.

## 9.6.3 Connection of Portable and Mobile Industrial Appliances.

**9.6.3.1** Where portable industrial appliances or appliances requiring mobility or subject to vibration are connected to the building gas piping system by the use of a flexible hose, the hose shall be suitable and safe for the conditions under which it can be used.

**9.6.3.2** Where industrial appliances requiring mobility are connected to the rigid piping by the use of swivel joints or couplings, the swivel joints or couplings shall be suitable for the service required and only the minimum number required shall be installed.

**9.6.3.3** Where industrial appliances subject to vibration are connected to the building piping system by the use of all metal flexible connectors, the connectors shall be suitable for the service required.

**9.6.3.4** Where flexible connections are used, they shall be of the minimum practical length and shall not extend from one room to another or pass through any walls, partitions, ceilings, or floors. Flexible connections shall not be used in any concealed location. They shall be protected against physical or thermal damage and shall be provided with gas shutoff valves in readily accessible locations in rigid piping upstream from the flexible connections.

**9.6.4 Appliance Shutoff Valves and Connections.** Each appliance connected to a piping system shall have an accessible, approved manual shutoff valve with a nondisplaceable valve member, or a listed gas convenience outlet. Appliance shutoff valves and convenience outlets shall serve a single appliance only and shall be installed in accordance with 9.6.4.1.

**9.6.4.1** The shutoff valve shall be located within 6 ft (1.8 m) of the appliance it serves except as permitted in 9.6.4.2 or 9.6.4.3.

(A) Where a connector is used, the valve shall be installed upstream of the connector. A union or flanged connection shall be provided downstream from the valve to permit removal of appliance controls.

(B) Shutoff valves serving decorative appliances shall be permitted to be installed in fireplaces if listed for such use.

**9.6.4.2** Shutoff valves serving appliances installed in vented fireplaces and ventless fireplace enclosures shall not be required to be located within 6 ft (1.8 m) of the appliance where such valves are readily accessible and permanently identified. The piping from the shutoff valve to within 6 ft (1.8 m) of the

appliance shall be designed, sized, and installed in accordance with Chapters 5, 6, and 7.

**9.6.4.3** Where installed at a manifold, the appliance shutoff valve shall be located within 50 ft (15 m) of the appliance served and shall be readily accessible and permanently identified. The piping from the manifold to within 6 ft (1.8 m) of the appliance shall be designed, sized, and installed in accordance with Chapters 5, 6, and 7.

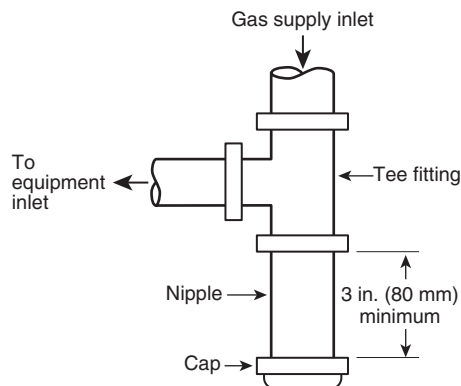
#### 9.6.5 Quick-Disconnect Devices.

**9.6.5.1** Quick-disconnect devices used to connect appliances to the building piping shall be listed to ANSI Z21.41/CSA 6.9, *Quick-Disconnect Devices for Use with Gas Fuel Appliances*.

**9.6.5.2** Where installed indoors, an approved manual shutoff valve with a nondisplaceable valve member shall be installed upstream of the quick-disconnect device.

**9.6.6 Gas Convenience Outlets.** Gas convenience outlets shall be listed in accordance with ANSI Z21.90, *Gas Convenience Outlets and Optional Enclosures*, and installed in accordance with the manufacturers' installation instructions.

**9.6.7 Sediment Trap.** Where a sediment trap is not incorporated as a part of the appliance, a sediment trap shall be installed downstream of the appliance shutoff valve as close to the inlet of the appliance as practical at the time of appliance installation. The sediment trap shall be either a tee fitting with a capped nipple in the bottom outlet as illustrated in Figure 9.6.7 or other device recognized as an effective sediment trap. Illuminating appliances, ranges, clothes dryers, decorative appliances for installation in vented fireplaces, gas fireplaces, and outdoor grills shall not be required to be so equipped.



**FIGURE 9.6.7** Method of Installing a Tee Fitting Sediment Trap.

**9.6.8 Installation of Piping.** Piping shall be installed in a manner not to interfere with inspection, maintenance, or servicing of the appliances.

#### 9.7 Electrical.

**9.7.1 Electrical Connections.** Electrical connections between appliances and the building wiring, including the grounding of the appliances, shall conform to *NFPA 70, National Electrical Code*.

**9.7.2 Electrical Ignition and Control Devices.** Electrical ignition, burner control, and electrical vent damper devices shall

not permit unsafe operation of the appliance in the event of electrical power interruption or when the power is restored.

**9.7.3 Electrical Circuit.** The electrical circuit employed for operating the automatic main gas control valve, automatic pilot, room temperature thermostat, limit control, or other electrical devices used with the appliances shall be in accordance with the wiring diagrams certified or approved by the original appliance manufacturer.

**9.7.4 Continuous Power.** All appliances using electrical controls shall have the controls connected into a permanently live electrical circuit — that is, one that is not controlled by a light switch. Central heating appliances shall be provided with a separate electrical circuit.

#### 9.8 Room Temperature Thermostats.

**9.8.1 Locations.** Room temperature thermostats shall be installed in accordance with the manufacturer's instructions.

**9.8.2 Drafts.** Any hole in the plaster or panel through which the wires pass from the thermostat to the appliance being controlled shall be sealed so as to prevent drafts from affecting the thermostat.

## Chapter 10 Installation of Specific Appliances

### 10.1 General.

**10.1.1 Application.** This chapter is applicable primarily to nonindustrial-type appliances and installations and, unless specifically indicated, does not apply to industrial appliances and installations. Listed appliances shall be installed in accordance with the manufacturers' installation instructions or, as elsewhere specified in this chapter, as applicable to the appliance. Unlisted appliances shall be installed as specified in this chapter as applicable to the appliances. For additional information concerning particular gas appliances and accessories, including industrial types, reference can be made to the standards listed in Chapter 2 and Annex M.

**10.1.2\* Installation in a Bedroom or Bathroom.** Appliances shall not be installed so their combustion, ventilation, and dilution air are obtained only from a bedroom or bathroom unless the bedroom or bathroom has the required volume in accordance with 9.3.2.

**10.1.3 Room Size in Comparison Calculation.** Where the room size in comparison with the size of the appliance is to be calculated, the total volume of the appliance is determined from exterior dimensions and is to include fan compartments and burner vestibules, where used. Where the actual ceiling height of a room is greater than 8 ft (2.4 m), the volume of the room is figured on the basis of a ceiling height of 8 ft (2.4 m).

### 10.2 Air-Conditioning Appliances (Gas-Fired Air Conditioners and Heat Pumps).

**10.2.1 Independent Gas Piping.** Gas piping serving heating appliances shall be permitted to also serve cooling appliances where heating and cooling appliances cannot be operated simultaneously. (See Section 5.4.)

**10.2.2 Connection of Gas Engine-Powered Air Conditioners.** To protect against the effects of normal vibration in service, gas engines shall not be rigidly connected to the gas supply piping.

**10.2.3 Clearances for Indoor Installation.** The installation of air-conditioning appliances shall comply with the following requirements:

- (1) Listed air-conditioning appliances installed in a room large in comparison with size of appliance shall be installed with clearances in accordance with the manufacturer's instructions. [See Table 10.2.3(a) and 3.3.90, Room Large in Comparison with Size of Equipment.]
- (2) Air-conditioning appliances installed in rooms that are NOT large (such as alcoves and closets) in comparison with the size of the appliance shall be listed for such installations and installed in accordance with the manufacturer's instructions. Listed clearances shall not be reduced by the protection methods described in Table 10.2.3(b), regardless of whether the enclosure is of combustible or noncombustible material.
- (3) Unlisted air-conditioning appliances shall be installed with clearances from combustible material of not less than 18 in. (460 mm) above the appliance and at the sides, front, and rear and 9 in. (230 mm) from the draft hood.
- (4) Air-conditioning appliances (listed and unlisted) installed in rooms that are large in comparison with the size of the appliance shall be permitted to be installed with reduced clearances to combustible material, provided the combustible material or appliance is protected as described in Table 10.2.3(b) [see 10.2.3(2)].
- (5) Where the furnace plenum is adjacent to plaster on metal lath or noncombustible material attached to combustible material, the clearance shall be measured to the surface of the plaster or other noncombustible finish where the clearance specified is 2 in. (50 mm) or less.
- (6) Listed air-conditioning appliances shall have the clearance from supply ducts within 3 ft (0.9 m) of the furnace plenum be not less than that specified from the furnace plenum. No clearance is necessary beyond this distance.

**10.2.4 Assembly and Installation.** Air-conditioning appliances shall be installed in accordance with the manufacturer's instructions. Unless the appliance is listed for installation on a combustible surface such as a floor or roof, or unless the sur-

face is protected in an approved manner, it shall be installed on a surface of noncombustible construction with noncombustible material and surface finish and with no combustible material against the underside thereof.

**10.2.5 Furnace Plenums and Air Ducts.** A furnace plenum supplied as a part of the air-conditioning appliance shall be installed in accordance with the manufacturer's instructions. Where a furnace plenum is not supplied with the appliance, any fabrication and installation instructions provided by the manufacturer shall be followed. The method of connecting supply and return ducts shall facilitate proper circulation of air. Where the air conditioner is installed within a room not large in comparison with the size of the appliance, the air circulated by the appliance shall be handled by ducts that are sealed to the casing of the appliance and that separate the circulating air from the combustion and ventilation air.

**10.2.6\* Refrigeration Coils.** See 10.3.7 and 10.3.8.

**10.2.7 Switches in Electrical Supply Line.** Means for interrupting the electrical supply to the air-conditioning appliance and to its associated cooling tower (if supplied and installed in a location remote from the air conditioner) shall be provided within sight of and not over 50 ft (15 m) from the air conditioner and cooling tower.

### 10.3 Central Heating Boilers and Furnaces.

**10.3.1 Location.** Central heating furnace and low-pressure boiler installations in bedrooms or bathrooms shall comply with one of the following:

- (1) Central heating furnaces and low-pressure boilers shall be installed in a closet equipped with a weather-stripped door with no openings, and with a self-closing device. All combustion air shall be obtained from the outdoors in accordance with 9.3.3.
- (2) Central heating furnaces and low-pressure boilers shall be of the direct vent type.

**Table 10.2.3(a) Clearances to Combustible Material for Unlisted Furnaces, Boilers, and Air Conditioners Installed in Rooms that Are Large in Comparison with the Size of Appliances**

Appliance	Minimum Clearance (in.)					
	Above and Sides of Furnace Plenum	Top of Boiler	Jacket Sides and Rear	Front	Draft Hood and Barometric Draft Regulator	Single-Wall Vent Connector
I Automatically fired, forced air or gravity system, equipped with temperature limit control that cannot be set higher than 250°F (121°C)	6	—	6	18	6	18
II Automatically fired heating boilers — steam boilers operating at not over 15 psi (103 kPa) and hot water boilers operating at 250°F (121°C) or less	6	6	6	18	18	18
III Central heating boilers and furnaces, other than in I or II	18	18	18	18	18	18
IV Air-conditioning appliances	18	18	18	18	18	18

Note: See 10.2.3 for additional requirements for air-conditioning appliances and 10.3.1 for additional requirements for central heating boilers and furnaces.

**Table 10.2.3(b) Reduction of Clearances with Specified Forms of Protection**

Type of protection applied to and covering all surfaces of combustible material within the distance specified as the required clearance with no protection [See Figure 10.3.2.2(a) through Figure 10.3.2.2(c).]	Where the required clearance with no protection from appliance, vent connector, or single-wall metal pipe is:									
	36 in.		18 in.		12 in.		9 in.		6 in.	
	Allowable Clearances with Specified Protection (in.)									
	Use Col. 1 for clearances above appliance or horizontal connector. Use Col. 2 for clearances from appliance, vertical connector, and single-wall metal pipe.									
	Above (Col. 1)	Sides and Rear (Col. 2)	Above (Col. 1)	Sides and Rear (Col. 2)	Above (Col. 1)	Sides and Rear (Col. 2)	Above (Col. 1)	Sides and Rear (Col. 2)	Above (Col. 1)	Sides and Rear (Col. 2)
(1) 3½ in. thick masonry wall without ventilated air space	—	24	—	12	—	9	—	6	—	5
(2) ½ in. insulation board over 1 in. glass fiber or mineral wool batts	24	18	12	9	9	6	6	5	4	3
(3) 0.024 in. (nominal 24 gauge) sheet metal over 1 in. glass fiber or mineral wool batts reinforced with wire on rear face with ventilated air space	18	12	9	6	6	4	5	3	3	3
(4) 3½ in. thick masonry wall with ventilated air space	—	12	—	6	—	6	—	6	—	6
(5) 0.024 in. (nominal 24 gauge) sheet metal with ventilated air space	18	12	9	6	6	4	5	3	3	2
(6) ½ in. thick insulation board with ventilated air space	18	12	9	6	6	4	5	3	3	3
(7) 0.024 in. (nominal 24 gauge) sheet metal with ventilated air space over 0.024 in. (nominal 24 gauge) sheet metal with ventilated air space	18	12	9	6	6	4	5	3	3	3
(8) 1 in. glass fiber or mineral wool batts sandwiched between two sheets 0.024 in. (nominal 24 gauge) sheet metal with ventilated air space	18	12	9	6	6	4	5	3	3	3

For SI units, 1 in. = 25.4 mm.

Notes:

- (1) Reduction of clearances from combustible materials shall not interfere with combustion air, draft hood clearance and relief, and accessibility of servicing.
- (2) All clearances shall be measured from the outer surface of the combustible material to the nearest point on the surface of the appliance, disregarding any intervening protection applied to the combustible material.
- (3) Spacers and ties shall be of noncombustible material. No spacer or tie shall be used directly opposite the appliance or connector.
- (4) Where all clearance reduction systems use a ventilated air space, adequate provision for air circulation shall be provided as described. [See Figure 10.3.2.2(b) and Figure 10.3.2.2(c).]
- (5) At least 1 in. (25 mm) shall be between clearance reduction systems and combustible walls and ceilings for reduction systems using a ventilated air space.
- (6) Where a wall protector is mounted on a single flat wall away from corners, it shall have a minimum 1 in. (25 mm) air gap. To provide adequate air circulation, the bottom and top edges, or only the side and top edges, or all edges shall be left open.
- (7) Mineral wool batts (blanket or board) shall have a minimum density of 8 lb/ft<sup>3</sup> (128 kg/m<sup>3</sup>) and a minimum melting point of 1500°F (816°C).
- (8) Insulation material used as part of a clearance reduction system shall have a thermal conductivity of 1.0 Btu in./ft<sup>2</sup>/hr·°F (0.144 W/m-K) or less.
- (9) At least 1 in. (25 mm) shall be between the appliance and the protector. In no case shall the clearance between the appliance and the combustible surface be reduced below that allowed in Table 10.2.3(b).
- (10) All clearances and thicknesses are minimum; larger clearances and thicknesses are acceptable.
- (11) Listed single-wall connectors shall be installed in accordance with the manufacturers' installation instructions.



**10.3.2 Clearance.**

**10.3.2.1** Listed central heating furnaces and low-pressure boilers installed in a room large in comparison with the size of the appliance shall be installed with clearances in accordance with the manufacturer's instructions. (See 3.3.90, *Room Large in Comparison with Size of Equipment.*)

**10.3.2.2** Central heating furnaces and low-pressure boilers installed in rooms that are NOT large (such as alcoves and closets) in comparison with the size of the appliance shall be listed for such installations. Listed clearances shall not be reduced by the protection methods described in Table 10.2.3(b) and illustrated in Figure 10.3.2.2(a) through Figure 10.3.2.2(c), regardless of whether the enclosure is of combustible or noncombustible material.

**10.3.2.3** Unlisted central heating furnaces and low-pressure boilers installed in rooms that are large in comparison with the size of the appliance shall be installed with clearances not less than those specified in Table 10.2.3(a).

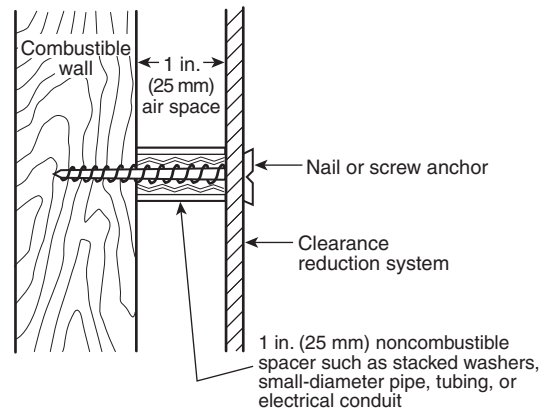
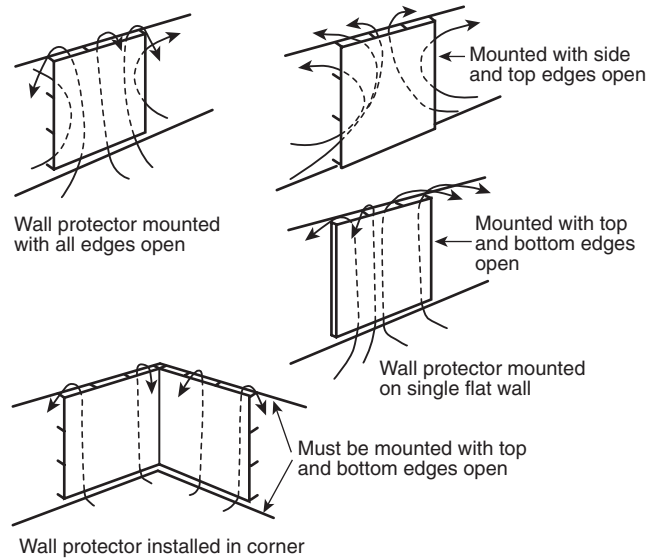
**10.3.2.4** Central heating furnaces and low-pressure boilers (listed and unlisted) installed in rooms that are large in comparison with the size of the appliance shall be permitted to be installed with reduced clearances to combustible material provided the combustible material or appliance is protected as described in Table 10.2.3(b) (see 10.3.2).

**10.3.2.5** Front clearance shall be sufficient for servicing the burner and the furnace or boiler.

**10.3.2.6** Where the furnace plenum is adjacent to plaster on metal lath or noncombustible material attached to combustible material, the clearance shall be measured to the surface of the plaster or other noncombustible finish where the clearance specified is 2 in. (50 mm) or less.

**10.3.2.7** The clearances to these appliances shall not interfere with combustion air, draft hood clearance and relief, and accessibility for servicing. (See 9.2.1, Section 9.3, and 12.13.7.)

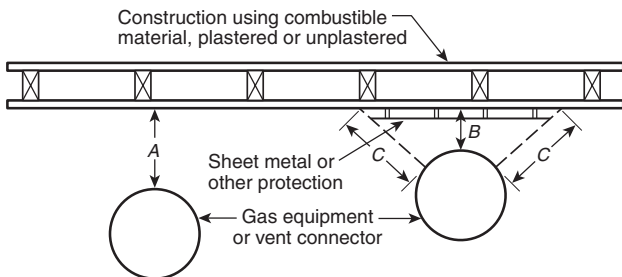
**10.3.2.8** Listed central heating furnaces shall have the clearance from supply ducts within 3 ft (0.9 m) of the furnace plenum be not less than that specified from the furnace plenum. No clearance is necessary beyond this distance.



**Notes:**

- (1) Masonry walls can be attached to combustible walls using wall ties.
- (2) Spacers should not be used directly behind appliance or connector.

**FIGURE 10.3.2.2(b) Wall Protector Clearance Reduction System.**



**Notes:**

- (1) A equals the clearance with no protection specified in Tables 10.2.3(a) and 12.8.4.5 and in the sections applying to various types of equipment.
- (2) B equals the reduced clearance permitted in accordance with Table 10.2.3(b).
- (3) The protection applied to the construction using combustible material shall extend far enough in each direction to make C equal to A.

**FIGURE 10.3.2.2(a) Extent of Protection Necessary to Reduce Clearances from Gas Appliance or Vent Connectors.**

**10.3.2.9** Unlisted central heating furnaces with temperature limit controls that cannot be set higher than 250°F (121°C) shall have the clearance from supply ducts within 6 ft (1.8 m) of the furnace plenum be not less than 6 in. (150 mm). No clearance is necessary beyond this distance.

**10.3.2.10** Central heating furnaces other than those listed in 10.3.2.8 or 10.3.2.9 shall have clearances from the supply ducts of not less than 18 in. (460 mm) from the furnace plenum for the first 3 ft (0.9 m), then 6 in. (150 mm) for the next 3 ft (0.9 m), and 1 in. (25 mm) beyond 6 ft (1.8 m).

**10.3.3 Assembly and Installation.** A central heating boiler or furnace shall be installed in accordance with the manufacturer's instructions in one of the following manners:

- (1) On a floor of noncombustible construction with noncombustible flooring and surface finish and with no combustible material against the underside thereof

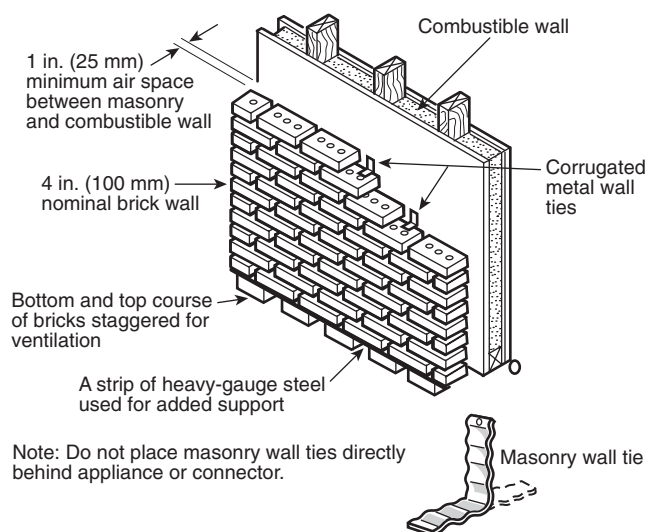


FIGURE 10.3.2.2(c) Masonry Clearance Reduction System.

- (2) On fire-resistive slabs or arches having no combustible material against the underside thereof

*Exception No. 1: Appliances listed for installation on a combustible floor.*

*Exception No. 2: Installation on a floor protected in an approved manner.*

**10.3.4 Temperature or Pressure Limiting Devices.** Steam and hot water boilers, respectively, shall be provided with approved automatic limiting devices for shutting down the burner(s) to prevent boiler steam pressure or boiler water temperature from exceeding the maximum allowable working pressure or temperature. Safety limit controls shall not be used as operating controls.

**10.3.5\* Low-Water Cutoff.** All water boilers and steam boilers shall be provided with an automatic means to shut off the fuel supply to the burner(s) if the boiler water level drops below the lowest safe water line. In lieu of the low-water cutoff, water tube or coil-type boilers which require forced circulation to prevent overheating and failure shall have an approved flow sensing device arranged to shut down the boiler when the flow rate is inadequate to protect the boiler against overheating.

**10.3.6\* Steam Safety and Pressure Relief Valves.** Steam and hot water boilers shall be equipped, respectively, with listed or approved steam safety or pressure relief valves of appropriate discharge capacity and conforming with ASME requirements. A shutoff valve shall not be placed between the relief valve and the boiler or on discharge pipes between such valves and the atmosphere.

**10.3.6.1** Relief valves shall be piped to discharge near the floor.

**10.3.6.2** The entire discharged piping shall be at least the same size as the relief valve discharge piping.

**10.3.6.3** Discharge piping shall not contain threaded end connection at its termination point.

### 10.3.7 Furnace Plenums and Air Ducts.

**10.3.7.1** Furnace plenums and air ducts shall be installed in accordance with NFPA 90A, *Standard for the Installation of Air-*

*Conditioning and Ventilating Systems*, or NFPA 90B, *Standard for the Installation of Warm Air Heating and Air-Conditioning Systems*.

**10.3.7.2** A furnace plenum supplied as a part of a furnace shall be installed in accordance with the manufacturer's instructions.

**10.3.7.3\*** Where a furnace plenum is not supplied with the furnace, any fabrication and installation instructions provided by the manufacturer shall be followed. The method of connecting supply and return ducts shall facilitate proper circulation of air.

**10.3.7.4** Where a furnace is installed so supply ducts carry air circulated by the furnace to areas outside the space containing the furnace, the return air shall also be handled by a duct(s) sealed to the furnace casing and terminating outside the space containing the furnace.

**10.3.8 Refrigeration Coils.** The installation of refrigeration coils shall comply with the following requirements:

- (1) A refrigeration coil shall not be installed in conjunction with a forced air furnace where circulation of cooled air is provided by the furnace blower, unless the blower has sufficient capacity to overcome the external static resistance imposed by the duct system and cooling coil and the air throughput necessary for heating or cooling, whichever is greater.
- (2) Furnaces shall not be located upstream from cooling units, unless the cooling unit is designed or equipped so as not to develop excessive temperature or pressure.
- (3) Refrigeration coils shall be installed in parallel with or on the downstream side of central furnaces to avoid condensation in the heating element, unless the furnace has been specifically listed for downstream installation. With a parallel flow arrangement, the dampers or other means used to control flow of air shall be sufficiently tight to prevent any circulation of cooled air through the furnace.
- (4) Means shall be provided for disposal of condensate and to prevent dripping of condensate on the heating element.

### 10.3.9 Cooling Units Used with Heating Boilers.

**10.3.9.1** Boilers, where used in conjunction with refrigeration systems, shall be installed so that the chilled medium is piped in parallel with the heating boiler with appropriate valves to prevent the chilled medium from entering the heating boiler.

**10.3.9.2** Where hot water heating boilers are connected to heating coils located in air-handling units where they can be exposed to refrigerated air circulation, such boiler piping systems shall be equipped with flow control valves or other automatic means to prevent gravity circulation of the boiler water during the cooling cycle.

## 10.4 Clothes Dryers.

**10.4.1 Clearance.** The installation of clothes dryers shall comply with the following requirements:

- (1) Listed Type 1 clothes dryers shall be installed with a minimum clearance of 6 in. (150 mm) from adjacent combustible material. Clothes dryers listed for installation at reduced clearances shall be installed in accordance with the manufacturer's installation instructions. Type 1 clothes dryers installed in closets shall be specifically listed for such installation.



- (2) Listed Type 2 clothes dryers shall be installed with clearances of not less than shown on the marking plate and in the manufacturer's instructions. Type 2 clothes dryers designed and marked "For use only in noncombustible locations" shall not be installed elsewhere.
- (3) Unlisted clothes dryers shall be installed with clearances to combustible material of not less than 18 in. (460 mm). Combustible floors under unlisted clothes dryers shall be protected in an approved manner.

**10.4.2 Exhausting to the Outdoors.** Type 1 and Type 2 clothes dryers shall be exhausted to the outdoors.

#### 10.4.3 Provisions for Make-Up Air.

**10.4.3.1** Make-up air shall be provided for Type 1 clothes dryers in accordance with the manufacturers' installation instructions.

**10.4.3.2** Provision for make-up air shall be provided for Type 2 clothes dryers, with a minimum free area (*see* 9.3.7) of 1 in.<sup>2</sup>/1000 Btu/hr (2200 mm<sup>2</sup>/kW) total input rating of the dryer(s) installed.

#### 10.4.4 Exhaust Ducts for Type 1 Clothes Dryers.

**10.4.4.1** A clothes dryer exhaust duct shall not be connected into any vent connector, gas vent, chimney, crawl space, attic, or other similar concealed space.

**10.4.4.2** Ducts for exhausting clothes dryers shall not be assembled with screws or other fastening means that extend into the duct and that would catch lint and reduce the efficiency of the exhaust system.

**10.4.4.3** Exhaust ducts shall be constructed of rigid metallic material. Transition ducts used to connect the dryer to the exhaust duct shall be listed for that application or installed in accordance with the clothes dryer manufacturer's installation instructions.

#### 10.4.5 Exhaust Ducts for Type 2 Clothes Dryers.

**10.4.5.1** Exhaust ducts for Type 2 clothes dryers shall comply with 10.4.4.

**10.4.5.2** Exhaust ducts for Type 2 clothes dryers shall be constructed of sheet metal or other noncombustible material. Such ducts shall be equivalent in strength and corrosion resistance to ducts made of galvanized sheet steel not less than 0.0195 in. (0.5 mm) thick.

**10.4.5.3** Type 2 clothes dryers shall be equipped or installed with lint-controlling means.

**10.4.5.4** Exhaust ducts for unlisted Type 2 clothes dryers shall be installed with a minimum clearance of 6 in. (150 mm) from adjacent combustible material. Where exhaust ducts for Type 2 clothes dryers are installed with reduced clearances, the adjacent combustible material shall be protected in accordance with Table 10.2.3(b).

**10.4.5.5** Where ducts pass through walls, floors, or partitions, the space around the duct shall be sealed with noncombustible material.

**10.4.5.6** Multiple installations of Type 2 clothes dryers shall be made in a manner to prevent adverse operation due to back pressures that might be created in the exhaust systems.

**10.4.6 Multiple-Family or Public Use.** All clothes dryers installed for multiple-family or public use shall be equipped with

approved safety shutoff devices and shall be installed as specified for a Type 2 clothes dryer under 10.4.5.

**10.5 Conversion Burners.** Installation of conversion burners shall conform to ANSI Z21.8, *Installation of Domestic Gas Conversion Burners*.

#### 10.6 Decorative Appliances for Installation in Vented Fireplaces.

**10.6.1\* Prohibited Installations.** Decorative appliances for installation in vented fireplaces shall not be installed in bathrooms or bedrooms unless the appliance is listed and the bedroom or bathroom has the required volume in accordance with 9.3.2.

**10.6.2 Installation.** A decorative appliance for installation in a vented fireplace shall be installed only in a vented fireplace having a working chimney flue and constructed of noncombustible materials. These appliances shall not be thermostatically controlled.

**10.6.2.1** A listed decorative appliance for installation in a vented fireplace shall be installed in accordance with the manufacturer's installation instructions.

**10.6.2.2** A decorative appliance for installation in a vented fireplace, where installed in a manufactured home, shall be listed for installation in manufactured homes.

**10.6.2.3** An unlisted decorative appliance for installation in a vented fireplace shall be installed in a fireplace having a permanent free opening, based on appliance input rating and chimney height equal to or greater than that specified in Table 10.6.2.3.

**10.6.3 Fireplace Screens.** A fireplace screen shall be installed with a decorative appliance for installation in a vented fireplace.

#### 10.7 Gas Fireplaces, Vented.

**10.7.1\* Prohibited Installations.** Vented gas fireplaces shall not be installed in bathrooms or bedrooms unless the appliance is listed and the bedroom or bathroom has the required volume in accordance with 9.3.2.

*Exception: Direct vent gas fireplaces.*

**10.7.2 Installation.** The installation of vented gas fireplaces shall comply with the following requirements:

- (1) Listed vented gas fireplaces shall be installed in accordance with the manufacturer's installation instructions and where installed in or attached to combustible material shall be specifically listed for such installation.
- (2) Unlisted vented gas fireplaces shall not be installed in or attached to combustible material and shall also comply with the following:
  - (a) They shall have a clearance at the sides and rear of not less than 18 in. (460 mm).
  - (b) Combustible floors under unlisted vented gas fireplaces shall be protected in an approved manner.
  - (c) Unlisted appliances of other than the direct vent type shall be equipped with a draft hood and shall be properly vented in accordance with Chapter 12.
  - (d) Appliances that use metal, asbestos, or ceramic material to direct radiation to the front of the appliance shall have a clearance of 36 in. (910 mm) in front and, if constructed with a double back of metal or ceramic, shall be installed with a minimum clearance of 18 in. (460 mm) at the sides and 12 in. (300 mm) at the rear.

**Table 10.6.2.3 Free Opening Area of Chimney Damper for Venting Flue Gases from Unlisted Decorative Appliances for Installation in Vented Fireplaces**

Chimney Height (ft)	Minimum Permanent Free Opening (in. <sup>2</sup> )*						
	8	13	20	29	39	51	64
	Appliance Input Rating (Btu/hr)						
6	7,800	14,000	23,200	34,000	46,400	62,400	80,000
8	8,400	15,200	25,200	37,000	50,400	68,000	86,000
10	9,000	16,800	27,600	40,400	55,800	74,400	96,400
15	9,800	18,200	30,200	44,600	62,400	84,000	108,800
20	10,600	20,200	32,600	50,400	68,400	94,000	122,200
30	11,200	21,600	36,600	55,200	76,800	105,800	138,600

For SI units, 1 ft = 0.305 m, 1 in.<sup>2</sup> = 645 mm<sup>2</sup>, 1000 Btu/hr = 0.293 kW.

\* The first six minimum permanent free openings (8 in.<sup>2</sup> to 51 in.<sup>2</sup>) correspond approximately to the cross-sectional areas of chimneys having diameters of 3 in. through 8 in., respectively. The 64 in.<sup>2</sup> opening corresponds to the cross-sectional area of standard 8 in. × 8 in. chimney tile.

- (3) Panels, grilles, and access doors that are required to be removed for normal servicing operations shall not be attached to the building.
- (4) Direct vent gas fireplaces shall be installed with the vent air intake terminal in the outdoors and in accordance with the manufacturers' instructions.

**10.7.3 Combustion and Circulating Air.** Combustion and circulating air shall be provided in accordance with Section 9.3.

#### 10.8 Non-Recirculating Direct Gas-Fired Industrial Air Heaters.

**10.8.1 Application.** Direct gas-fired industrial air heaters of the non-recirculating type shall be listed in accordance with ANSI Z83.4/CSA 3.7, *Non-Recirculating Direct Gas-Fired Industrial Air Heaters*.

##### 10.8.2 Prohibited Installations.

**10.8.2.1** Non-recirculating direct gas-fired industrial air heaters shall not serve any area containing sleeping quarters.

**10.8.2.2** Non-recirculating direct gas-fired industrial air heaters shall not recirculate room air.

##### 10.8.3 Installation.

**10.8.3.1** Non-recirculating direct gas-fired industrial air heaters shall be installed in accordance with the manufacturer's instructions.

**10.8.3.2** Non-recirculating direct gas-fired industrial air heaters shall be installed only in industrial or commercial occupancies.

**10.8.3.3** Non-recirculating direct gas-fired industrial air heaters shall be permitted to provide fresh air ventilation.

**10.8.3.4** Non-recirculating direct gas-fired industrial air heaters shall be provided with access for removal of burners; for replacement of motors, controls, filters, and other working parts; and for adjustment and lubrication of parts requiring maintenance.

**10.8.4 Clearance from Combustible Materials.** Non-recirculating direct gas-fired industrial air heaters shall be installed with a clearance from combustible materials of not less than that shown on the rating plate and the manufacturer's instructions.

**10.8.5 Air Supply.** All air to the non-recirculating direct gas-fired industrial air heater shall be ducted directly from outdoors. Where outdoor air dampers or closing louvers are used, they shall be verified to be in the open position prior to main burner operation.

**10.8.6 Atmospheric Vents or Gas Reliefs or Bleeds.** Non-recirculating direct gas-fired industrial air heaters with valve train components equipped with atmospheric vents, gas reliefs, or bleeds shall have their vent lines, gas reliefs, or bleeds lead to a safe point outdoors. Means shall be employed on these lines to prevent water from entering and to prevent blockage from insects and foreign matter. An atmospheric vent line shall not be required to be provided on a valve train component equipped with a listed vent limiter.

**10.8.7 Relief Openings.** The design of the installation shall include adequate provisions to permit the non-recirculating direct gas-fired industrial air heater to operate at its rated airflow without overpressurizing the space served by the heater by taking into account the structure's designed infiltration rate, properly designed relief openings, or an interlocked powered exhaust system, or a combination of these methods.

**10.8.7.1** The structure's designed infiltration rate and the size of relief opening(s) shall be determined by approved engineering methods.

**10.8.7.2** Louver or counterbalanced gravity damper relief openings shall be permitted. Where motorized dampers or closable louvers are used, they shall be proved to be in their open position prior to main burner operation.

**10.8.8 Purging.** Inlet ducting, when used, shall be purged with at least four air changes prior to an ignition attempt.

#### 10.9 Recirculating Direct Gas-Fired Industrial Air Heaters.

**10.9.1 Application.** Direct gas-fired industrial air heaters of the recirculating type shall be listed in accordance with ANSI Z83.18, *Recirculating Direct Gas-Fired Industrial Air Heaters*.

##### 10.9.2 Prohibited Installations.

**10.9.2.1** Recirculating direct gas-fired industrial air heaters shall not serve any area containing sleeping quarters.

**10.9.2.2\*** Recirculating direct gas-fired industrial air heaters shall not recirculate room air in buildings that contain flammable solids, liquids, or gases; explosive materials; or substances that can become toxic when exposed to flame or heat.

**10.9.3 Installation.** Installation of direct gas-fired industrial air heaters shall comply with the following requirements:

- (1) Recirculating direct gas-fired industrial air heaters shall be installed in accordance with the manufacturer's instructions.
- (2) Recirculating direct gas-fired industrial air heaters shall be installed only in industrial or commercial occupancies.

**10.9.4 Clearance from Combustible Materials.** Recirculating direct gas-fired industrial air heaters shall be installed with a clearance from combustible materials of not less than that shown on the rating plate and the manufacturer's instructions.

**10.9.5 Air Supply.** Ventilation air to the recirculating direct gas-fired industrial air heater shall be ducted directly from outdoors. Air to the recirculating direct gas-fired industrial air heater in excess of the minimum ventilation air specified on the heater's rating plate shall be taken from the building, ducted directly from outdoors, or a combination of both. Where outdoor air dampers or closing louvers are used, they shall be verified to be in the open position prior to main burner operation.

**10.9.6 Atmospheric Vents, Gas Reliefs, or Bleeds.** Recirculating direct gas-fired industrial air heaters with valve train components equipped with atmospheric vents, gas reliefs, or bleeds shall have their vent lines, gas reliefs, or bleeds lead to a safe point outdoors. Means shall be employed on these lines to prevent water from entering and to prevent blockage from insects and foreign matter. An atmospheric vent line shall not be required to be provided on a valve train component equipped with a listed vent limiter.

**10.9.7 Relief Openings.** The design of the installation shall include adequate provisions to permit the recirculating direct gas-fired industrial air heater to operate at its rated airflow without overpressurizing the space served by the heater, by taking into account the structure's designed infiltration rate, properly designed relief openings, an interlocked powered exhaust system, or a combination of these methods.

**10.9.7.1** The structure's designed infiltration rate and the size of relief opening(s) shall be determined by approved engineering methods.

**10.9.7.2** Louver or counterbalanced gravity damper relief openings shall be permitted. Where motorized dampers or closable louvers are used, they shall be proved to be in their open position prior to main burner operation.

**10.9.8 Purging.** Inlet ducting, when used, shall be purged with at least four air changes prior to an ignition attempt.

## 10.10 Duct Furnaces.

**10.10.1 Clearances.** The installation of duct furnaces shall comply with the following clearance requirements:

- (1) Listed duct furnaces shall be installed with clearances of at least 6 in. (150 mm) between adjacent walls, ceilings, and floors of combustible material and the furnace draft hood and shall comply with the following:
  - (a) Furnaces listed for installation at lesser clearances shall be installed in accordance with the manufacturer's installation instructions.

- (b) In no case shall the clearance be such as to interfere with combustion air and accessibility. (See 9.2.1 and Section 9.3.)

- (2) Unlisted duct furnaces shall be installed with clearances to combustible material in accordance with the clearances specified for unlisted furnaces and boilers in Table 10.2.3(a). Combustible floors under unlisted duct furnaces shall be protected in an approved manner.

**10.10.2 Installation of Duct Furnaces.** Duct furnaces shall be installed in accordance with the manufacturers' instructions.

**10.10.3 Access Panels.** The ducts connected to duct furnaces shall have removable access panels on both the upstream and downstream sides of the furnace.

**10.10.4 Location of Draft Hood and Controls.** The controls, combustion air inlet, and draft hoods for duct furnaces shall be located outside the ducts. The draft hood shall be located in the same enclosure from which combustion air is taken.

**10.10.5 Circulating Air.** Where a duct furnace is installed so that supply ducts carry air circulated by the furnace to areas outside the space containing the furnace, the return air shall also be handled by a duct(s) sealed to the furnace casing and terminating outside the space containing the furnace. The duct furnace shall be installed on the positive-pressure side of the circulating air blower.

## 10.10.6 Duct Furnaces Used with Refrigeration Systems.

**10.10.6.1** A duct furnace shall not be installed in conjunction with a refrigeration coil where circulation of cooled air is provided by the blower.

*Exception: Where the blower has sufficient capacity to overcome the external static resistance imposed by the duct system, furnace, and the cooling coil and the air throughput necessary for heating or cooling, whichever is greater.*

**10.10.6.2** Duct furnaces used in conjunction with cooling appliances shall be installed in parallel with or on the upstream side of cooling coils to avoid condensation within heating elements. With a parallel flow arrangement, the dampers or other means used to control the flow of air shall be sufficiently tight to prevent any circulation of cooled air through the unit.

*Exception: Where the duct furnace has been specifically listed for downstream installation.*

**10.10.6.3** Where duct furnaces are to be located upstream from cooling units, the cooling unit shall be so designed or equipped as to not develop excessive temperatures or pressures.

**10.10.6.4** Where a duct furnace is installed downstream of an evaporative cooler or air washer, the heat exchanger shall be constructed of corrosion-resistant materials. Stainless steel, ceramic-coated steel, and an aluminum-coated steel in which the bond between the steel and the aluminum is an iron-aluminum alloy are considered to be corrosion resistant. Air washers operating with chilled water that deliver air below the dew point of the ambient air at the duct furnace are considered as refrigeration systems.

**10.10.7 Installation in Commercial Garages and Aircraft Hangars.** Duct furnaces installed in garages for more than three motor vehicles or in aircraft hangars shall be of a listed type and shall be installed in accordance with 9.1.11 and 9.1.12.

## 10.11 Floor Furnaces.

**10.11.1 Installation.** The installation of floor furnaces shall comply with the following requirements:

- (1) Listed floor furnaces shall be installed in accordance with the manufacturers' installation instructions.
- (2) Unlisted floor furnaces shall not be installed in combustible floors.
- (3) Thermostats controlling floor furnaces shall not be located in a room or space that can be separated from the room or space in which the register of the floor furnace is located.

#### 10.11.2 Temperature Limit Controls.

**10.11.2.1** Listed automatically operated floor furnaces shall be equipped with temperature limit controls.

**10.11.2.2** Unlisted automatically operated floor furnaces shall be equipped with a temperature limit control arranged to shut off the flow of gas to the burner in the event the temperature at the warm air outlet register exceeds 350°F (177°C) above room temperature.

**10.11.3 Combustion and Circulating Air.** Combustion and circulating air shall be provided in accordance with Section 9.3.

**10.11.4 Placement.** The following provisions apply to furnaces that serve one story:

- (1) *Floors.* Floor furnaces shall not be installed in the floor of any doorway, stairway landing, aisle, or passageway of any enclosure, public or private, or in an exitway from any such room or space.
- (2) *Walls and Corners.* The register of a floor furnace with a horizontal warm air outlet shall not be placed closer than 6 in. (150 mm) from the nearest wall. A distance of at least 18 in. (460 mm) from two adjoining sides of the floor furnace register to walls shall be provided to eliminate the necessity of occupants walking over the warm air discharge. The remaining sides shall be a minimum of 6 in. (150 mm) from a wall. Wall register models shall not be placed closer than 6 in. (150 mm) to a corner.
- (3) *Draperies.* The furnace shall be placed so that a door, drapery, or similar object cannot be nearer than 12 in. (300 mm) to any portion of the register of the furnace.

**10.11.5 Bracing.** The space provided for the furnace shall be framed with doubled joists and with headers not lighter than the joists.

**10.11.6 Support.** Means shall be provided to support the furnace when the floor register is removed.

**10.11.7 Clearance.** The lowest portion of the floor furnace shall have at least a 6 in. (150 mm) clearance from the general ground level. A reduced clearance to a minimum of 2 in. (50 mm) shall be permitted, provided the lower 6 in. (150 mm) portion of the floor furnace is sealed by the manufacturer to prevent entrance of water. Where these clearances are not present, the ground below and to the sides shall be excavated to form a "basin-like" pit under the furnace so that the required clearance is provided beneath the lowest portion of the furnace. A 12 in. (300 mm) clearance shall be provided on all sides except the control side, which shall have an 18 in. (460 mm) clearance.

**10.11.8 Access.** The space in which any floor furnace is installed shall be accessible by an opening in the foundation not less than 24 in. × 18 in. (610 mm × 460 mm) or by a trapdoor not less than 24 in. × 24 in. (610 mm × 610 mm) in any cross section thereof, and a passageway not less than 24 in. × 18 in. (610 mm × 460 mm) in any cross section thereof.

**10.11.9 Seepage Pan.** Where the excavation exceeds 12 in. (300 mm) in depth or water seepage is likely to collect, a water-

tight copper pan, concrete pit, or other suitable material shall be used, unless adequate drainage is provided or the appliance is sealed by the manufacturer to meet this condition. A copper pan shall be made of not less than 16 oz./ft<sup>2</sup> (4.9 kg/m<sup>2</sup>) sheet copper. The pan shall be anchored in place so as to prevent floating, and the walls shall extend at least 4 in. (100 mm) above the ground level with at least a 6 in. (150 mm) clearance on all sides, except on the control side, which shall have at least an 18 in. (460 mm) clearance.

**10.11.10 Wind Protection.** Floor furnaces shall be protected, where necessary, against severe wind conditions.

**10.11.11 Upper Floor Installations.** Listed floor furnaces shall be permitted to be installed in an upper floor, provided the furnace assembly projects below into a utility room, closet, garage, or similar nonhabitable space. In such installations, the floor furnace shall be enclosed completely (entirely separated from the nonhabitable space) with means for air intake to meet the provisions of Section 9.3, with access for servicing, minimum furnace clearances of 6 in. (150 mm) to all sides and bottom, and with the enclosure constructed of Portland cement plaster or metal lath or other noncombustible material.

**10.11.12 First Floor Installation.** Listed floor furnaces installed in the first or ground floors of buildings shall not be required to be enclosed unless the basements of these buildings have been converted to apartments or sleeping quarters, in which case the floor furnace shall be enclosed as specified for upper floor installations and shall project into a nonhabitable space.

#### 10.12 Food Service Appliance, Floor-Mounted.

**10.12.1 Clearance for Listed Appliances.** Listed floor-mounted food service appliances, such as ranges for hotels and restaurants, deep fat fryers, unit broilers, kettles, steam cookers, steam generators, and baking and roasting ovens, shall be installed at least 6 in. (150 mm) from combustible material except that at least a 2 in. (50 mm) clearance shall be maintained between a draft hood and combustible material. Floor-mounted food service appliances listed for installation at lesser clearances shall be installed in accordance with the manufacturer's installation instructions. Appliances designed and marked "For use only in noncombustible locations" shall not be installed elsewhere.

**10.12.2 Clearance for Unlisted Appliances.** Unlisted floor-mounted food service appliances shall be installed to provide a clearance to combustible material of not less than 18 in. (460 mm) from the sides and rear of the appliance and from the vent connector and not less than 48 in. (1.2 m) above cooking tops and at the front of the appliance. Clearances for unlisted appliances installed in partially enclosed areas such as alcoves shall not be reduced. Reduced clearances for unlisted appliances installed in rooms that are not partially enclosed shall be in accordance with Table 10.2.3(b).

#### 10.12.3 Mounting on Combustible Floor.

**10.12.3.1** Listed floor-mounted food service appliances that are listed specifically for installation on floors constructed of combustible material shall be permitted to be mounted on combustible floors in accordance with the manufacturer's installation instructions.

**10.12.3.2** Floor-mounted food service appliances that are not listed for mounting on a combustible floor shall be mounted



in accordance with 10.12.4 or be mounted in accordance with one of the following:

- (1) Where the appliance is set on legs that provide not less than 18 in. (460 mm) open space under the base of the appliance or where it has no burners and no portion of any oven or broiler within 18 in. (460 mm) of the floor, it shall be permitted to be mounted on a combustible floor without special floor protection, provided at least one sheet metal baffle is between the burner and the floor.
- (2) Where the appliance is set on legs that provide not less than 8 in. (200 mm) open space under the base of the appliance, it shall be permitted to be mounted on combustible floors, provided the floor under the appliance is protected with not less than  $\frac{3}{8}$  in. (9.5 mm) insulating millboard covered with sheet metal not less than 0.0195 in. (0.5 mm) thick. The preceding specified floor protection shall extend not less than 6 in. (150 mm) beyond the appliance on all sides.
- (3) Where the appliance is set on legs that provide not less than 4 in. (100 mm) under the base of the appliance, it shall be permitted to be mounted on combustible floors, provided the floor under the appliance is protected with hollow masonry not less than 4 in. (100 mm) in thickness covered with sheet metal not less than 0.0195 in. (0.5 mm) thick. Such masonry courses shall be laid with ends unsealed and joints matched in such a way as to provide for free circulation of air through the masonry.
- (4) Where the appliance does not have legs at least 4 in. (100 mm) high, it shall be permitted to be mounted on combustible floors, provided the floor under the appliance is protected by two courses of 4 in. (100 mm) hollow clay tile, or equivalent, with courses laid at right angles and with ends unsealed and joints matched in such a way as to provide for free circulation of air through such masonry courses, and covered with steel plate not less than  $\frac{3}{16}$  in. (4.8 mm) in thickness.

#### 10.12.4 Installation on Noncombustible Floor.

**10.12.4.1** Listed floor-installed food service appliances that are designed and marked "For use only in noncombustible locations" shall be installed on floors of noncombustible construction with noncombustible flooring and surface finish and with no combustible material against the underside thereof, or on noncombustible slabs or arches having no combustible material against the underside thereof.

**10.12.4.2** Such construction shall in all cases extend not less than 12 in. (300 mm) beyond the appliance on all sides.

**10.12.5 Combustible Material Adjacent to Cooking Top.** Any portion of combustible material adjacent to a cooking top section of a food service range, even though listed for close-to-wall installation, that is not shielded from the wall by a high shelf, warming closet, and so on, shall be protected as specified in 10.12.2 for a distance of at least 2 ft (0.6 m) above the surface of the cooking top.

**10.12.6 Use with Casters.** Floor-mounted appliances with casters shall be listed for such construction and shall be installed in accordance with the manufacturer's installation instructions for limiting the movement of the appliance to prevent strain on the connection.

**10.12.7 Level Installation.** Floor-mounted food service appliances shall be installed level on a firm foundation.

**10.12.8\* Ventilation.** Means shall be provided to properly ventilate the space in which a food service appliance is installed to permit proper combustion of the gas.

#### 10.13 Food Service Appliances, Counter Appliances.

**10.13.1 Vertical Clearance.** A vertical distance of not less than 48 in. (1.2 m) shall be provided between the top of all food service hot plates and griddles and combustible material.

**10.13.2 Clearance for Listed Appliances.** Listed food service counter appliances such as hot plates and griddles, food and dish warmers, and coffee brewers and urns, where installed on combustible surfaces, shall be set on their own bases or legs and shall be installed with a minimum horizontal clearance of 6 in. (150 mm) from combustible material, except that at least a 2 in. (50 mm) clearance shall be maintained between a draft hood and combustible material. Food service counter appliances listed for installation at lesser clearances shall be installed in accordance with the manufacturer's installation instructions.

**10.13.3 Clearance for Unlisted Appliances.** Unlisted food service hot plates and griddles shall be installed with a horizontal clearance from combustible material of not less than 18 in. (460 mm). Unlisted gas food service counter appliances, including coffee brewers and urns, waffle bakers, and hot water immersion sterilizers, shall be installed with a horizontal clearance from combustible material of not less than 12 in. (300 mm). Reduced clearances for gas food service counter appliances shall be in accordance with Table 10.2.3(b). Unlisted food and dish warmers shall be installed with a horizontal clearance from combustible material of not less than 6 in. (150 mm).

**10.13.4 Mounting of Unlisted Appliances.** Unlisted food service counter appliances shall not be set on combustible material unless they have legs that provide not less than 4 in. (100 mm) of open space below the burners and the combustible surface is protected with insulating millboard at least  $\frac{1}{4}$  in. (6 mm) thick covered with sheet metal not less than 0.0122 in. (0.3 mm) thick, or with equivalent protection.

#### 10.14 Hot Plates and Laundry Stoves.

**10.14.1** Listed domestic hot plates and laundry stoves installed on combustible surfaces shall be set on their own legs or bases. They shall be installed with minimum horizontal clearances of 6 in. (150 mm) from combustible material.

**10.14.2** Unlisted domestic hot plates and laundry stoves shall be installed with horizontal clearances to combustible material of not less than 12 in. (300 mm). Combustible surfaces under unlisted domestic hot plates and laundry stoves shall be protected in an approved manner.

**10.14.3** The vertical distance between tops of all domestic hot plates and laundry stoves and combustible material shall be at least 30 in. (760 mm).

#### 10.15 Household Cooking Appliances.

##### 10.15.1 Floor-Mounted Units.

**10.15.1.1 Clearance from Combustible Material.** The clearances specified as follows shall not interfere with combustion air, accessibility for operation, and servicing:

- (1) Listed floor-mounted household cooking appliances, where installed on combustible floors, shall be set on their own bases or legs and shall be installed in accordance with the manufacturer's installation instructions.
- (2) Listed household cooking appliances with listed gas room heater sections shall be installed so that the warm air discharge side shall have a minimum clearance of 18 in. (460 mm) from adjacent combustible material. A minimum

clearance of 36 in. (910 mm) shall be provided between the top of the heater section and the bottom of cabinets.

- (3) Listed household cooking appliances that include a solid or liquid fuel-burning section shall be spaced from combustible material and otherwise installed in accordance with the manufacturer's installation instructions for the supplementary fuel section of the appliance.
- (4) Unlisted floor-mounted household cooking appliances shall be installed with at least a 6 in. (150 mm) clearance at the back and sides to combustible material. Combustible floors under unlisted appliances shall be protected in an approved manner.

**10.15.1.2 Vertical Clearance Above Cooking Top.** Household cooking appliances shall have a vertical clearance above the cooking top of not less than 30 in. (760 mm) to combustible material or metal cabinets. A minimum clearance of 24 in. (610 mm) is permitted when one of the following is installed:

- (1) The underside of the combustible material or metal cabinet above the cooking top is protected with not less than ¼ in. (6 mm) insulating millboard covered with sheet metal not less than 0.0122 in. (0.3 mm) thick.
- (2) A metal ventilating hood of sheet metal not less than 0.0122 in. (0.3 mm) thick is installed above the cooking top with a clearance of not less than ¼ in. (6 mm) between the hood and the underside of the combustible material or metal cabinet, and the hood is at least as wide as the appliance and is centered over the appliance.
- (3) A listed cooking appliance or microwave oven is installed over a listed cooking appliance and conforms to the terms of the upper appliance's manufacturer's installation instructions.

**10.15.1.3 Level Installation.** Cooking appliances shall be installed so that the cooking top or oven racks are level.

#### 10.15.2 Built-In Units.

**10.15.2.1 Installation.** Listed built-in household cooking appliances shall be installed in accordance with the manufacturer's installation instructions. The installation shall not interfere with combustion air, accessibility for operation, and servicing. Unlisted built-in household cooking appliances shall not be installed in, or adjacent to, combustible material.

**10.15.2.2 Vertical Clearance.** Built-in top (or surface) cooking appliances shall have a vertical clearance above the cooking top of not less than 30 in. (760 mm) to combustible material or metal cabinets. A minimum clearance of 24 in. (610 mm) shall be permitted when one of the following is installed:

- (1) The underside of the combustible material or metal cabinet above the cooking top is protected with not less than ¼ in. (6 mm) insulating millboard covered with sheet metal not less than 0.0122 in. (0.3 mm) thick.
- (2) A metal ventilating hood of sheet metal not less than 0.0122 in. (0.3 mm) thick is installed above the cooking top with a clearance of not less than ¼ in. (6 mm) between the hood and the underside of the combustible material or metal cabinet, and the hood is at least as wide as the appliance and is centered over the appliance.
- (3) A listed cooking appliance or microwave oven is installed over a listed cooking appliance and conforms to the terms of the upper appliance manufacturer's installation instructions.

**10.15.2.3 Horizontal Clearance.** The minimum horizontal distance from the center of the burner head(s) of a listed top

(or surface) cooking appliance to vertical combustible walls extending above the top panel shall be not less than that distance specified by the permanent marking on the appliance.

**10.15.2.4 Level Installation.** Built-in household cooking appliances shall be installed so that the cooking top, broiler pan, or oven racks are level.

#### 10.16 Illuminating Appliances.

**10.16.1 Clearances for Listed Appliances.** Listed illuminating appliances shall be installed in accordance with the manufacturer's installation instructions.

#### 10.16.2 Clearances for Unlisted Appliances.

**10.16.2.1 Enclosed Type.** Clearance shall comply with the following:

- (1) Unlisted enclosed illuminating appliances installed outdoors shall be installed with clearances in any direction from combustible material of not less than 12 in. (300 mm).
- (2) Unlisted enclosed illuminating appliances installed indoors shall be installed with clearances in any direction from combustible material of not less than 18 in. (460 mm).

**10.16.2.2 Open-Flame Type.** Clearance shall comply with the following:

- (1) Unlisted open-flame illuminating appliances installed outdoors shall have clearances from combustible material not less than that specified in Table 10.16.2.2. The distance from ground level to the base of the burner shall be a minimum of 7 ft (2.1 m) where installed within 2 ft (0.6 m) of walkways. Lesser clearances shall be permitted to be used where acceptable to the authority having jurisdiction.
- (2) Unlisted open-flame illuminating appliances installed outdoors shall be equipped with a limiting orifice or other limiting devices that maintain a flame height consistent with the clearance from combustible material, as given in Table 10.16.2.2.
- (3) Appliances designed for flame heights in excess of 30 in. (760 mm) shall be permitted to be installed if acceptable to the authority having jurisdiction. Such appliances shall be equipped with a safety shutoff device or automatic ignition.
- (4) Unlisted open-flame illuminating appliances installed indoors shall have clearances from combustible material acceptable to the authority having jurisdiction.

**Table 10.16.2.2 Clearances for Unlisted Outdoor Open-Flame Illuminating Appliances**

Flame Height Above Burner Head (in.)	Minimum Clearance from Combustible Material (ft)*	
	Horizontal	Vertical
12	2	6
18	3	8
24	3	10
30	4	12

For SI units, 1 in. = 25.4 mm, 1 ft = 0.305 m.

\*Measured from the nearest portion of the burner head.



**10.16.3 Mounting on Buildings.** Illuminating appliances designed for wall or ceiling mounting shall be securely attached to substantial structures in such a manner that they are not dependent on the gas piping for support.

**10.16.4 Mounting on Posts.** Illuminating appliances designed for post mounting shall be securely and rigidly attached to a post. Posts shall be rigidly mounted. The strength and rigidity of posts greater than 3 ft (0.9 m) in height shall be at least equivalent to that of a 2½ in. (64 mm) diameter post constructed of 0.064 in. (1.6 mm) thick steel or a 1 in. Schedule 40 steel pipe. Posts 3 ft (0.9 m) or less in height shall not be smaller than a ¾ in. Schedule 40 steel pipe. Drain openings shall be provided near the base of posts where water collecting inside the posts is possible.

**10.16.5 Appliance Pressure Regulators.** Where an appliance pressure regulator is not supplied with an illuminating appliance and the service line is not equipped with a service pressure regulator, an appliance pressure regulator shall be installed in the line serving one or more illuminating appliances.

**10.17 Incinerators, Commercial-Industrial.** Commercial-industrial-type incinerators shall be constructed and installed in accordance with NFPA 82, *Standard on Incinerators and Waste and Linen Handling Systems and Equipment*.

#### 10.18 Infrared Heaters.

**10.18.1 Support.** Suspended-type infrared heaters shall be fixed in position independent of gas and electric supply lines. Hangers and brackets shall be of noncombustible material. Heaters subject to vibration shall be provided with vibration-isolating hangers.

**10.18.2 Clearance.** The installation of infrared heaters shall meet the following clearance requirements:

- (1) Listed heaters shall be installed with clearances from combustible material in accordance the manufacturer's installation instructions.
- (2) Unlisted heaters shall be installed in accordance with clearances from combustible material acceptable to the authority having jurisdiction.
- (3) In locations used for the storage of combustible materials, signs shall be posted to specify the maximum permissible stacking height to maintain required clearances from the heater to the combustibles.

#### 10.18.3 Combustion and Ventilation Air.

**10.18.3.1** Where unvented infrared heaters are used, natural or mechanical means shall be provided to supply and exhaust at least 4 ft<sup>3</sup>/min/1000 Btu/hr (0.38 m<sup>3</sup>/min/kW) input of installed heaters.

**10.18.3.2** Exhaust openings for removing flue products shall be above the level of the heaters.

**10.18.4 Installation in Commercial Garages and Aircraft Hangars.** Overhead heaters installed in garages for more than three motor vehicles or in aircraft hangars shall be of a listed type and shall be installed in accordance with 9.1.11 and 9.1.12.

#### 10.19 Open-Top Broiler Units.

**10.19.1 Listed Units.** Listed open-top broiler units shall be installed in accordance with the manufacturer's installation instructions.

**10.19.2 Unlisted Units.** Unlisted open-top broiler units shall be installed in accordance with the manufacturers' instructions but shall not be installed in combustible material.

**10.19.3 Protection Above Domestic Units.** Domestic open-top broiler units shall be provided with a metal ventilating hood not less than 0.0122 in. (0.3 mm) thick with a clearance of not less than ¼ in. (6 mm) between the hood and the underside of combustible material or metal cabinets. A clearance of at least 24 in. (610 mm) shall be maintained between the cooking top and the combustible material or metal cabinet, and the hood shall be at least as wide as the open-top broiler unit and centered over the unit. Listed domestic open-top broiler units incorporating an integral exhaust system and listed for use without a ventilating hood need not be provided with a ventilating hood if installed in accordance with 10.15.1.2(1).

**10.19.4 Commercial Units.** Commercial open-top broiler units shall be provided with ventilation in accordance with NFPA 96, *Standard for Ventilation Control and Fire Protection of Commercial Cooking Operations*.

#### 10.20 Outdoor Cooking Appliances.

**10.20.1 Listed Units.** Listed outdoor cooking appliances shall be installed in accordance with the manufacturer's installation instructions.

**10.20.2 Unlisted Units.** Unlisted outdoor cooking appliances shall be installed outdoors with clearances to combustible material of not less than 36 in. (910 mm) at the sides and back and not less than 48 in. (1220 mm) at the front. In no case shall the appliance be located under overhead combustible construction.

#### 10.21 Pool Heaters.

**10.21.1 Location.** A pool heater shall be located or protected so as to minimize accidental contact of hot surfaces by persons.

**10.21.2 Clearance.** The installation of pool heaters shall meet the following requirements:

- (1) In no case shall the clearances be such as to interfere with combustion air, draft hood or vent terminal clearance and relief, and accessibility for servicing.
- (2) A listed pool heater shall be installed in accordance with the manufacturer's installation instructions.
- (3) An unlisted pool heater shall be installed with a minimum clearance of 12 in. (300 mm) on all sides and the rear. A combustible floor under an unlisted pool heater shall be protected in an approved manner.

#### 10.21.3 Temperature or Pressure Limiting Devices.

**10.21.3.1** An unlisted pool heater shall be provided with over-temperature protection or overtemperature and overpressure protection by means of an approved device(s).

**10.21.3.2** Where a pool heater is provided with overtemperature protection only and is installed with any device in the discharge line of the heater that can restrict the flow of water from the heater to the pool (such as a check valve, shutoff valve, therapeutic pool valving, or flow nozzles), a pressure relief valve shall be installed either in the heater or between the heater and the restrictive device.

**10.21.4 Bypass Valves.** Where an integral bypass system is not provided as a part of the pool heater, a bypass line and valve shall be installed between the inlet and outlet piping for use in adjusting the flow of water through the heater.

**10.21.5 Venting.** A pool heater listed for outdoor installation shall be installed with the venting means supplied by the manufacturer and in accordance with the manufacturer's instructions. (See 12.3.5, 12.3.6, 12.4.3, and Section 12.9.)

## 10.22 Refrigerators.

**10.22.1 Clearance.** Refrigerators shall be provided with clearances for ventilation at the top and back in accordance with the manufacturers' instructions. Where such instructions are not available, at least 2 in. (50 mm) shall be provided between the back of the refrigerator and the wall and at least 12 in. (300 mm) above the top.

**10.22.2 Venting or Ventilating Kits Approved for Use with a Refrigerator.** Where an accessory kit is used for conveying air for burner combustion or unit cooling to the refrigerator from areas outside the room in which it is located, or for conveying combustion products diluted with air containing waste heat from the refrigerator to areas outside the room in which it is located, the kit shall be installed in accordance with the refrigerator manufacturer's instructions.

## 10.23 Room Heaters.

**10.23.1\* Prohibited Installations.** Unvented room heaters shall not be installed in bathrooms or bedrooms.

*Exception No. 1: Where approved by the authority having jurisdiction, one listed wall-mounted, unvented room heater equipped with an oxygen depletion safety shutoff system shall be permitted to be installed in a bathroom, provided that the input rating does not exceed 6000 Btu/hr (1760 W/hr) and combustion and ventilation air is provided as specified in 10.1.2.*

*Exception No. 2: Where approved by the authority having jurisdiction, one listed wall-mounted unvented room heater equipped with an oxygen depletion safety shutoff system shall be permitted to be installed in a bedroom, provided that the input rating does not exceed 10,000 Btu/hr (2930 W/hr) and combustion and ventilation air is provided as specified in 10.1.2.*

**10.23.2** Unvented room heaters shall be listed in accordance with ANSI Z21.11.2, *Gas-Fired Room Heaters-Volume II, Unvented Room Heaters*, and shall be installed in accordance with the manufacturer's installation instructions.

**10.23.3 Installations in Institutions.** Room heaters shall not be installed in the following occupancies:

- (1) Residential board and care
- (2) Health care

**10.23.4 Clearance.** A room heater shall be placed so as not to cause a hazard to walls, floors, curtains, furniture, doors when open, and so on, and to the free movements of persons within the room. Heaters designed and marked "For use in noncombustible fireplace only" shall not be installed elsewhere. Listed room heaters shall be installed in accordance with the manufacturer's installation instructions. In no case shall the clearances be such as to interfere with combustion air and accessibility. Unlisted room heaters shall be installed with clearances from combustible material not less than the following:

- (1) *Circulating Type.* Room heaters having an outer jacket surrounding the combustion chamber, arranged with openings at top and bottom so that air circulates between the inner and outer jacket, and without openings in the outer jacket to permit direct radiation, shall have clearance at sides and rear of not less than 12 in. (300 mm).

- (2) *Radiating Type.* Room heaters other than those of the circulating type described in 10.23.4(1) shall have clearance at sides and rear of not less than 18 in. (460 mm), except that heaters that make use of metal, asbestos, or ceramic material to direct radiation to the front of the heater shall have a clearance of 36 in. (910 mm) in front and, if constructed with a double back of metal or ceramic, shall be permitted to be installed with a clearance of 18 in. (460 mm) at sides and 12 in. (300 mm) at rear. Combustible floors under unlisted room heaters shall be protected in an approved manner.

**10.23.5 Wall-Type Room Heaters.** Wall-type room heaters shall not be installed in or attached to walls of combustible material unless listed for such installation.

**10.24 Stationary Gas Engines.** The installation of gas engines shall conform to NFPA 37, *Standard for the Installation and Use of Stationary Combustion Engines and Gas Turbines*.

**10.24.1** Stationary gas engines shall not be rigidly connected to the gas supply piping.

## 10.25 Gas-Fired Toilets.

**10.25.1 Clearance.** A listed gas-fired toilet shall be installed in accordance with the manufacturer's installation instructions, provided that the clearance is in any case sufficient to afford ready accessibility for use, cleanout, and necessary servicing.

**10.25.2 Installation on Combustible Floors.** Listed gas-fired toilets installed on combustible floors shall be listed for such installation.

**10.25.3 Installation.** Vents or vent connectors that are capable of being contacted during casual use of the room in which the toilet is installed shall be protected or shielded to prevent such contact.

## 10.26 Unit Heaters.

**10.26.1 Support.** Suspended-type unit heaters shall be safely and adequately supported, with due consideration given to their weight and vibration characteristics. Hangers and brackets shall be of noncombustible material.

### 10.26.2 Clearance.

**10.26.2.1 Suspended-Type Unit Heaters.** Suspended-type unit heaters shall meet the following requirements:

- (1) A listed unit heater shall be installed with clearances from combustible material of not less than 18 in. (460 mm) at the sides, 12 in. (300 mm) at the bottom, and 6 in. (150 mm) above the top where the unit heater has an internal draft hood, or 1 in. (25 mm) above the top of the sloping side of a vertical draft hood. A unit heater listed for reduced clearances shall be installed in accordance with the manufacturer's installation instructions.
- (2) Unlisted unit heaters shall be installed with clearances to combustible material of not less than 18 in. (460 mm).
- (3) Clearances for servicing shall be in accordance with the manufacturers' recommendations contained in the installation instructions.

**10.26.2.2 Floor-Mounted-Type Unit Heaters.** Floor-mounted-type unit heaters shall meet the following requirements:

- (1) A listed unit heater shall be installed with clearances from combustible material at the back and one side only of not less than 6 in. (150 mm). Where the flue gases are vented horizontally, the 6 in. (150 mm) clearance shall be measured

from the draft hood or vent instead of the rear wall of the unit heater. A unit heater listed for reduced clearances shall be installed in accordance with the manufacturer's installation instructions.

- (2) Floor-mounted-type unit heaters installed on combustible floors shall be listed for such installation.
- (3) Combustible floors under unlisted floor-mounted unit heaters shall be protected in an approved manner.
- (4) Clearances for servicing shall be in accordance with the manufacturers' recommendations contained in the installation instructions.

**10.26.3 Combustion and Circulating Air.** Combustion and circulating air shall be provided in accordance with Section 9.3.

**10.26.4 Ductwork.** A unit heater shall not be attached to a warm air duct system unless listed and marked for such installation.

**10.26.5 Installation in Commercial Garages and Aircraft Hangars.** Unit heaters installed in garages for more than three motor vehicles or in aircraft hangars shall be of a listed type and shall be installed in accordance with 9.1.11 and 9.1.12.

## 10.27 Wall Furnaces.

### 10.27.1 Installation.

**10.27.1.1** Listed wall furnaces shall be installed in accordance with the manufacturer's installation instructions. Wall furnaces installed in or attached to combustible material shall be listed for such installation.

**10.27.1.2** Unlisted wall furnaces shall not be installed in or attached to combustible material.

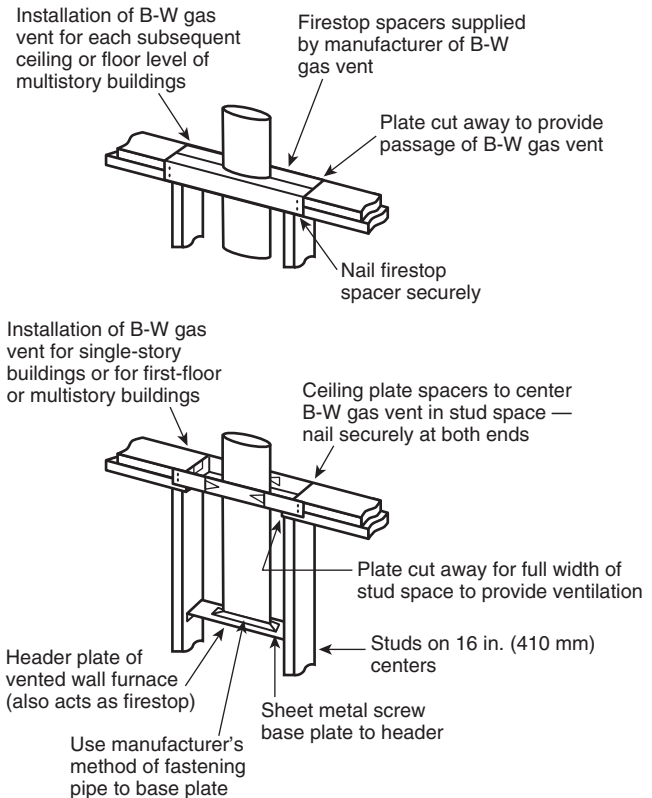
**10.27.1.3** Vented wall furnaces connected to a Type B-W gas vent system listed only for a single story shall be installed only in single-story buildings or the top story of multistory buildings. Vented wall furnaces connected to a Type B-W gas vent system listed for installation in multistory buildings shall be permitted to be installed in single-story or multistory buildings. Type B-W gas vents shall be attached directly to a solid header plate that serves as a firestop at that point and that shall be permitted to be an integral part of the vented wall furnace. The stud space in which the vented wall furnace is installed shall be ventilated at the first ceiling level by installation of the ceiling plate spacers furnished with the gas vent. Firestop spacers shall be installed at each subsequent ceiling or floor level penetrated by the vent. (See Figure 10.27.1.3 for Type B-W gas vent installation.)

**10.27.1.4** Direct vent wall furnaces shall be installed with the vent air intake terminal in the outdoors. The thickness of the walls on which the furnace is mounted shall be within the range of wall thickness marked on the furnace and covered in the manufacturers' installation instructions.

**10.27.1.5** Panels, grilles, and access doors that are required to be removed for normal servicing operations shall not be attached to the building. (For additional information on the venting of wall furnaces, see Chapter 12.)

**10.27.2 Location.** Wall furnaces shall be located so as not to cause a hazard to walls, floors, curtains, furniture, or doors. Wall furnaces installed between bathrooms and adjoining rooms shall not circulate air from bathrooms to other parts of the building.

**10.27.3 Combustion and Circulating Air.** Combustion and circulating air shall be provided in accordance with Section 9.3.



**FIGURE 10.27.1.3 Installation of Type B-W Gas Vents for Vented Wall Furnaces.**

## 10.28 Water Heaters.

**10.28.1 Location.** Water heater installations in bedrooms and bathrooms shall comply with one of the following:

- (1) Water heater shall be installed in a closet equipped with a weather-stripped door with no openings and with a self-closing device. All combustion air shall be obtained from the outdoors in accordance with 9.3.3.
- (2) Water heater shall be of the direct vent type.

### 10.28.2 Clearance.

**10.28.2.1** The clearances shall not be such as to interfere with combustion air, draft hood clearance and relief, and accessibility for servicing. Listed water heaters shall be installed in accordance with the manufacturer's installation instructions.

**10.28.2.2** Unlisted water heaters shall be installed with a clearance of 12 in. (300 mm) on all sides and rear. Combustible floors under unlisted water heaters shall be protected in an approved manner.

**10.28.3 Pressure Limiting Devices.** A water heater installation shall be provided with overpressure protection by means of an approved, listed device installed in accordance with the manufacturer's installation instructions. The pressure setting of the device shall exceed the water service pressure and shall not exceed the maximum pressure rating of the water heater.

**10.28.4 Temperature Limiting Devices.** A water heater installation or a hot water storage vessel installation shall be provided with overtemperature protection by means of an



approved, listed device installed in accordance with the manufacturer's installation instructions.

**10.28.5 Temperature, Pressure, and Vacuum Relief Devices.** Temperature, pressure, and vacuum relief devices or combinations thereof, and automatic gas shutoff devices, shall be installed in accordance with the manufacturer's installation instructions. A shutoff valve shall not be placed between the relief valve and the water heater or on discharge pipes between such valves and the atmosphere. The hourly Btu discharge capacity or the rated steam relief capacity of the device shall not be less than the input rating of the water heater.

**10.28.6 Automatic Instantaneous Type: Cold Water Supply.** The water supply to an automatic instantaneous water heater that is equipped with a water flow-actuated control shall be such as to provide sufficient pressure to properly operate the control when water is drawn from the highest faucet served by the heater.

**10.28.7\* Antisiphon Devices.** Means acceptable to the authority having jurisdiction shall be provided to prevent siphoning in any water heater or any tank to which a circulating water heater that incorporates a cold water inlet tube is attached.

**10.29 Compressed Natural Gas (CNG) Vehicular Fuel Systems.** The installation of compressed natural gas (CNG) fueling (dispensing) systems shall conform to NFPA 52, *Vehicular Fuel Systems Code*.

**10.30 Appliances for Installation in Manufactured Housing.** Appliances installed in manufactured housing after the initial sale shall be listed for installation in manufactured housing, or approved, and shall be installed in accordance with the requirements of this code and the manufacturers' installation instructions. Appliances installed in the living space of manufactured housing shall be in accordance with the requirements of Section 9.3.

**10.31 Fuel Cell Power Plants.** Fuel cell power plants with a power output of less than 50 kW shall be listed and installed in accordance with the manufacturer's instructions. Fuel cell power plants with a power output of greater than 50 kW shall be installed in accordance with NFPA 853, *Standard for the Installation of Stationary Fuel Cell Power Systems*.

**10.32 Outdoor Open Flame Decorative Appliances.** Permanently fixed in place outdoor open flame decorative appliances shall be installed in accordance with 10.32.1 through 10.32.3.

**10.32.1 Listed Units.** Listed outdoor open flame decorative appliances shall be installed in accordance with the manufacturer's installation instructions.

**10.32.2 Unlisted Units.** Unlisted outdoor open flame decorative appliances shall be installed outdoors in accordance with the manufacturer's installation instructions and with clearances to combustible material of not less than 36 in. (910 mm) from the sides. In no case shall the appliance be located under overhead combustible construction.

**10.32.3 Connection to Piping System.** The connection to the gas piping system shall be in accordance with 9.6.1(1), (2), (4), or (5).

## Chapter 11 Procedures to Be Followed to Place Appliance in Operation

### 11.1 Adjusting the Burner Input.

**11.1.1\* Adjusting Input.** The input rate of the burner shall be adjusted to the proper value in accordance with the appliance

manufacturer's instructions. Firing at a rate in excess of the nameplate rating shall be prohibited.

**11.1.1.1** The input rate can be adjusted by either changing the size of a fixed orifice, changing the adjustment of an adjustable orifice, or readjusting the appliance's gas pressure regulator outlet pressure (where a regulator is provided in the appliance).

**11.1.1.2** Input rate can be determined by either one of the following:

- (1) Checking burner input by using a gas meter
- (2) Checking burner input by using orifice pressure drop and orifice size

**11.1.1.3** Overfiring shall be prohibited.

**11.1.2 High Altitude.** Gas input ratings of appliances shall be used for elevations up to 2000 ft (600 m). The input ratings of appliances operating at elevations above 2000 ft (600 m) shall be reduced in accordance with one of the following methods:

- (1) At the rate of 4 percent for each 1000 ft (300 m) above sea level before selecting appropriately sized appliance
- (2) As permitted by the authority having jurisdiction
- (3) In accordance with the manufacturer's installation instructions

**11.2\* Primary Air Adjustment.** The primary air for injection (Bunsen)-type burners shall be adjusted for proper flame characteristics in accordance with the appliance manufacturers' instructions. After setting the primary air, the adjustment means shall be secured in position.

**11.3 Safety Shutoff Devices.** Where a safety shutoff device is provided, it shall be checked for proper operation and adjustment in accordance with the appliance manufacturer's instructions. Where the device does not function properly to turn off the gas supply in the event of pilot outage or other improper operation, it shall be properly serviced or replaced with a new device.

**11.4 Automatic Ignition.** Appliances supplied with means for automatic ignition shall be checked for proper operation. If necessary, proper adjustments shall be made.

**11.5 Protective Devices.** All protective devices furnished with the appliance, such as a limit control, fan control to blower, temperature and pressure relief valve, low-water cutoff device, or manual operating features, shall be checked for proper operation.

**11.6\* Checking the Draft.** Vent-connected appliances shall be operated for several minutes and checked to see that the combustion products are going up the chimney or gas vent properly, by passing a lighted match or taper around the edge of the relief opening of the draft hood. Where the chimney or gas vent is drawing properly, the match flame is drawn into the draft hood. Where not drawing properly, the combustion products tend to extinguish this flame. Where the combustion products are escaping from the relief opening of the draft hood, the appliance shall not be operated until proper adjustments or repairs are made to provide adequate draft through the chimney or gas vent.

**11.7 Operating Instructions.** Operating instructions shall be furnished and shall be left in a prominent position near the appliance for the use of the consumer.

## Chapter 12 Venting of Appliances

**12.1 Minimum Safe Performance.** A venting system shall be designed and constructed so as to develop a positive flow adequate to convey flue or vent gases to the outdoors.

### 12.2 General.

**12.2.1 Materials.** This chapter recognizes that the choice of venting materials and the methods of installation of venting systems are dependent on the operating characteristics of the appliance.

**12.2.2 Categories.** The operating characteristics of vented appliances can be categorized with respect to the following:

- (1) Positive or negative pressure within the venting system
- (2) Whether or not the appliance generates flue or vent gases that can condense in the venting system (*See Section 3.3 for the definition of these vented appliance categories.*)

**12.2.3 Installation.** Listed vents shall be installed in accordance with Chapter 12 and the manufacturers' installation instructions.

### 12.3 Specification for Venting.

**12.3.1 Connection to Venting Systems.** Except as permitted in 12.3.2 through 12.3.6, all appliances shall be connected to venting systems.

**12.3.2 Appliances Not Required to Be Vented.** The following appliances shall not be required to be vented:

- (1) Listed ranges
- (2) Built-in domestic cooking units listed and marked for optional venting
- (3) Listed hot plates and listed laundry stoves
- (4) Listed Type 1 clothes dryers exhausted in accordance with Section 10.4
- (5) A single listed booster-type (automatic instantaneous) water heater, when designed and used solely for the sanitizing rinse requirements of a dishwashing machine, provided that the appliance is installed with the draft hood in place and unaltered, if a draft hood is required, in a commercial kitchen having a mechanical exhaust system [Where installed in this manner, the draft hood outlet shall not be less than 36 in. (910 mm) vertically and 6 in. (150 mm) horizontally from any surface other than the appliance.]
- (6) Listed refrigerators
- (7) Counter appliances
- (8) Room heaters listed for unvented use (*see 10.23.1 and 10.23.3*)
- (9) Direct gas-fired make-up air heaters
- (10) Other appliances listed for unvented use and not provided with flue collars
- (11) Specialized appliances of limited input such as laboratory burners or gas lights

**12.3.2.1** Where any or all of these appliances in 12.3.2(5) through (11) are installed so the aggregate input rating exceeds 20 Btu/hr/ft<sup>3</sup> (207 W/m<sup>3</sup>) of room or space in which it is installed, one or more shall be provided with venting systems or other approved means for conveying the vent gases to the outdoors so the aggregate input rating of the remaining unvented appliances does not exceed 20 Btu/hr/ft<sup>3</sup> (207 W/m<sup>3</sup>).

**12.3.2.2** Where the calculation includes the volume of an adjacent room or space, the room or space in which the appliances

are installed shall be directly connected to the adjacent room or space by a doorway, archway, or other opening of comparable size that cannot be closed.

**12.3.3\* Ventilating Hoods.** Ventilating hoods and exhaust systems shall be permitted to be used to vent appliances installed in commercial applications (*see 12.4.4*) and to vent industrial appliances, particularly where the process itself requires fume disposal. (*See 9.1.6 and 9.1.9.*)

**12.3.4 Well-Ventilated Spaces.** The operation of industrial appliances such that its flue gases are discharged directly into a large and well-ventilated space shall be permitted.

**12.3.5 Direct Vent Appliances.** Listed direct vent appliances shall be installed in accordance with the manufacturer's installation instructions and 12.9.3.

**12.3.6 Appliances with Integral Vents.** Appliances incorporating integral venting means shall be considered properly vented where installed in accordance with the manufacturer's installation instructions and 12.9.1 and 12.9.2.

### 12.4 Design and Construction.

**12.4.1 Appliance Draft Requirements.** A venting system shall satisfy the draft requirements of the appliance in accordance with the manufacturer's instructions.

**12.4.2 Design and Construction.** Appliances required to be vented shall be connected to a venting system designed and installed in accordance with the provisions of Sections 12.5 through 12.16.

#### 12.4.3 Mechanical Draft Systems.

**12.4.3.1** Mechanical draft systems shall be listed and shall be installed in accordance with both the appliance and the mechanical draft system manufacturer's installation instructions.

**12.4.3.2** Appliances requiring venting shall be permitted to be vented by means of mechanical draft systems of either forced or induced draft design.

*Exception: Incinerators.*

**12.4.3.3** Forced draft systems and all portions of induced draft systems under positive pressure during operation shall be designed and installed so as to prevent leakage of flue or vent gases into a building.

**12.4.3.4** Vent connectors serving appliances vented by natural draft shall not be connected into any portion of mechanical draft systems operating under positive pressure.

**12.4.3.5** Where a mechanical draft system is employed, provision shall be made to prevent the flow of gas to the main burners when the draft system is not performing so as to satisfy the operating requirements of the appliance for safe performance.

**12.4.3.6** The exit terminals of mechanical draft systems shall be not less than 7 ft (2.1 m) above finished ground level where located adjacent to public walkways and shall be located as specified in 12.9.1 and 12.9.2.

#### 12.4.4\* Ventilating Hoods and Exhaust Systems.

**12.4.4.1** Ventilating hoods and exhaust systems shall be permitted to be used to vent appliances installed in commercial applications.

**12.4.4.2** Where automatically operated appliances, other than commercial cooking appliances, are vented through a ventilating hood or exhaust system equipped with a damper or

with a power means of exhaust, provisions shall be made to allow the flow of gas to the main burners only when the damper is open to a position to properly vent the appliance and when the power means of exhaust is in operation.

#### 12.4.5 Circulating Air Ducts, Above-Ceiling Air-Handling Spaces, and Furnace Plenums.

**12.4.5.1** Venting systems shall not extend into or pass through any fabricated air duct or furnace plenum.

**12.4.5.2** Where a venting system passes through an above-ceiling air space or other nonducted portion of an air-handling system, it shall conform to one of the following requirements:

- (1) The venting system shall be a listed special gas vent, other system serving a Category III or Category IV appliance, or other positive pressure vent, with joints sealed in accordance with the appliance or vent manufacturer's instructions.
- (2) The vent system shall be installed such that no fittings or joints between sections are installed in the above-ceiling space.
- (3) The venting system shall be installed in a conduit or enclosure with joints between the interior of the enclosure and the ceiling space sealed.

#### 12.5 Type of Venting System to Be Used.

**12.5.1** The type of venting system to be used shall be in accordance with Table 12.5.1.

**12.5.2 Plastic Piping.** Plastic piping used for venting appliances listed for use with such venting materials shall be approved.

**12.5.3 Plastic Vent Joints.** Plastic pipe and fittings used to vent appliances shall be installed in accordance with the appliance manufacturer's installation instructions. Where primer is required, it shall be of a contrasting color.

**12.5.4 Special Gas Vent.** Special gas vent shall be listed and installed in accordance with the special gas vent manufacturer's installation instructions.

#### 12.6 Masonry, Metal, and Factory-Built Chimneys.

##### 12.6.1 Listing or Construction.

**12.6.1.1** Factory-built chimneys shall be installed in accordance with the manufacturer's installation instructions. Factory-built chimneys used to vent appliances that operate at positive vent pressure shall be listed for such application.

**12.6.1.2** Metal chimneys shall be built and installed in accordance with NFPA 211, *Standard for Chimneys, Fireplaces, Vents, and Solid Fuel-Burning Appliances*.

**12.6.1.3\*** Masonry chimneys shall be built and installed in accordance with NFPA 211, *Standard for Chimneys, Fireplaces, Vents, and Solid Fuel-Burning Appliances*, and lined with approved clay flue lining, a listed chimney lining system, or other approved material that resists corrosion, erosion, softening, or cracking from vent gases at temperatures up to 1800°F (982°C).

*Exception: Masonry chimney flues lined with a chimney lining system specifically listed for use with listed appliances with draft hoods, Category I appliances, and other appliances listed for use with Type B vents shall be permitted. The liner shall be installed in accordance with the liner manufacturer's installation instructions. A permanent identifying label shall be attached at the point where the connection is to be made to the liner. The label shall read "This*

*chimney liner is for appliances that burn gas only. Do not connect to solid or liquid fuel-burning appliances or incinerators."*

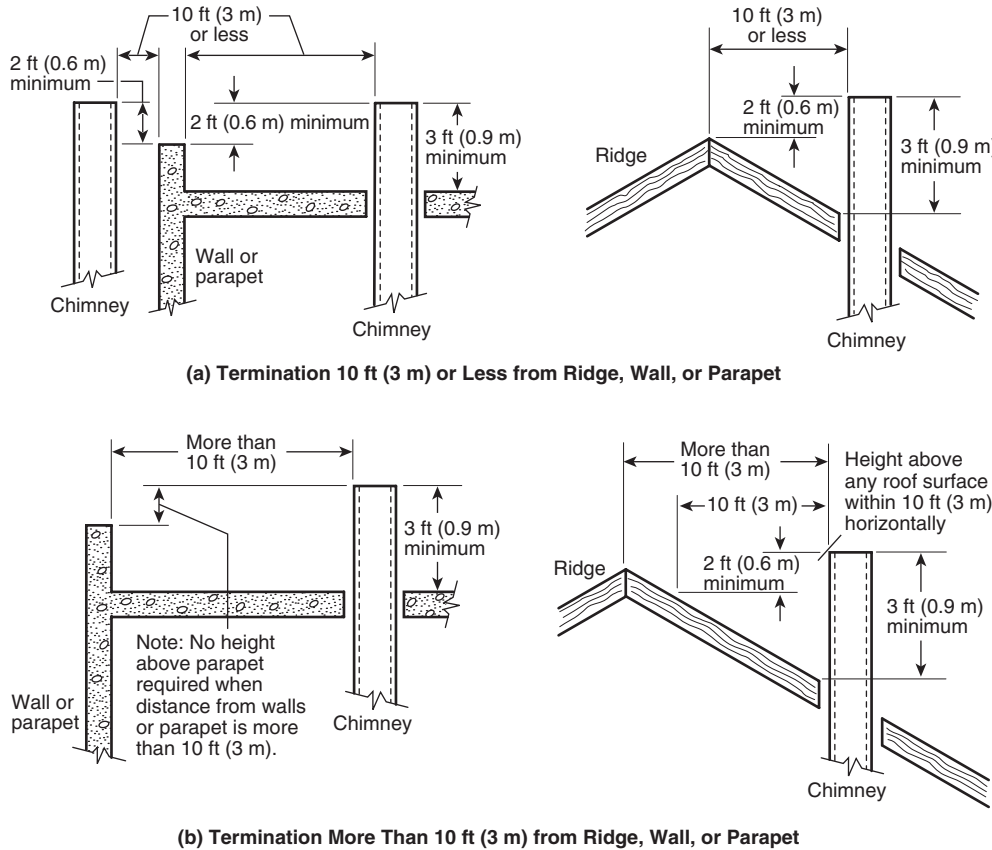
##### 12.6.2 Termination.

**12.6.2.1** A chimney for residential-type or low-heat appliances shall extend at least 3 ft (0.9 m) above the highest point where it passes through a roof of a building and at least 2 ft (0.6 m) higher than any portion of a building within a horizontal distance of 10 ft (3 m). (See Figure 12.6.2.1.)

**Table 12.5.1 Type of Venting System to Be Used**

Appliances	Type of Venting System
Listed Category I appliances	Type B gas vent
Listed appliances equipped with draft hood	(see Section 12.7)
Appliances listed for use with Type B gas vent	Chimney (see Section 12.6)
	Single-wall metal pipe (see Section 12.8)
	Listed chimney lining system for gas venting (see 12.6.1.3)
	Special gas vent listed for these appliances (see 12.5.3)
Listed vented wall furnaces	Type B-W gas vent (see Section 12.7, Section 10.27)
Category II appliances	As specified or furnished by manufacturers of listed appliances
Category III appliances	(see 12.5.2, 12.5.3)
Category IV appliances	
Incinerators, outdoors	Single-wall metal pipe [see Section 12.8, 12.8.3(3)]
Incinerators, indoors	
Appliances that can be converted to use solid fuel	
Unlisted combination gas- and oil-burning appliances	Chimney (see Section 12.6)
Combination gas- and solid fuel-burning appliances	
Appliances listed for use with chimneys only	
Unlisted appliances	
Listed combination gas- and oil-burning appliances	Type L vent (see Section 12.7) or chimney (see Section 12.6)
Decorative appliance in vented fireplace	Chimney (see 10.6.2)
Gas-fired toilets	Single-wall metal pipe (see Section 12.8, 10.25.3)
Direct vent appliances	See 12.3.5
Appliances with integral vents	See 12.3.6





**FIGURE 12.6.2.1 Typical Termination Locations for Chimneys and Single-Wall Metal Pipes Serving Residential-Type and Low-Heat Appliances.**

**12.6.2.2** A chimney for medium-heat appliances shall extend at least 10 ft (3 m) higher than any portion of any building within 25 ft (7.6 m).

**12.6.2.3** A chimney shall extend at least 5 ft (1.5 m) above the highest connected appliance draft hood outlet or flue collar.

**12.6.2.4** Decorative shrouds shall not be installed at the termination of factory-built chimneys except where such shrouds are listed and labeled for use with the specific factory-built chimney system and are installed in accordance with manufacturers' installation instructions.

**12.6.3 Size of Chimneys.**

**12.6.3.1** The effective area of a chimney venting system serving listed appliances with draft hoods, Category I appliances, and other appliances listed for use with Type B vents shall be in accordance with one of the following methods:

- (1) Those listed in Chapter 13.
- (2) For sizing an individual chimney venting system for a single appliance with a draft hood, the effective areas of the vent connector and chimney flue shall be not less than the area of the appliance flue collar or draft hood outlet or greater than seven times the draft hood outlet area.
- (3) For sizing a chimney venting system connected to two appliances with draft hoods, the effective area of the chimney flue shall be not less than the area of the larger draft hood outlet plus 50 percent of the area of the smaller

draft hood outlet or greater than seven times the smaller draft hood outlet area.

- (4) Chimney venting systems using mechanical draft shall be sized in accordance with approved engineering methods.
- (5) Other approved engineering methods.

**12.6.4 Inspection of Chimneys.**

**12.6.4.1** Before replacing an existing appliance or connecting a vent connector to a chimney, the chimney passageway shall be examined to ascertain that it is clear and free of obstructions and shall be cleaned if previously used for venting solid or liquid fuel-burning appliances or fireplaces.

**12.6.4.2** Chimneys shall be lined in accordance with NFPA 211, *Standard for Chimneys, Fireplaces, Vents, and Solid Fuel-Burning Appliances*.

*Exception: Existing chimneys shall be permitted to have their use continued when an appliance is replaced by an appliance of similar type, input rating, and efficiency, where the chimney complies with 12.6.4 and the sizing of the chimney is in accordance with 12.6.3.*

**12.6.4.3** Cleanouts shall be examined to determine that they remain tightly closed when not in use.

**12.6.4.4** When inspection reveals that an existing chimney is not safe for the intended application, it shall be repaired, rebuilt, lined, relined, or replaced with a vent or chimney to conform to NFPA 211, *Standard for Chimneys, Fireplaces, Vents,*

and Solid Fuel-Burning Appliances, and shall be suitable for the appliances to be attached.

#### 12.6.5 Chimney Serving Appliances Burning Other Fuels.

**12.6.5.1** An appliance shall not be connected to a chimney flue serving a separate appliance designed to burn solid fuel.

**12.6.5.2** Where one chimney serves gas appliances and liquid fuel-burning appliances, the appliances shall be connected through separate openings or shall be connected through a single opening where joined by a suitable fitting located as close as practical to the chimney. Where two or more openings are provided into one chimney flue, they shall be at different levels. Where the gas appliance is automatically controlled, it shall be equipped with a safety shutoff device.

**12.6.5.3\*** A listed combination gas- and solid fuel-burning appliance connected to a single chimney flue shall be equipped with a manual reset device to shut off gas to the main burner in the event of sustained backdraft or flue gas spillage. The chimney flue shall be sized to properly vent the appliance.

**12.6.5.4** A single chimney flue serving a listed combination gas- and oil-burning appliance shall be sized to properly vent the appliance.

**12.6.6 Support of Chimneys.** All portions of chimneys shall be supported for the design and weight of the materials employed. Listed factory-built chimneys shall be supported and spaced in accordance with the manufacturer's installation instructions.

**12.6.7 Cleanouts.** Where a chimney that formerly carried flue products from liquid or solid fuel-burning appliances is used with an appliance using fuel gas, an accessible cleanout shall be provided. The cleanout shall have a tight-fitting cover and be installed so its upper edge is at least 6 in. (150 mm) below the lower edge of the lowest chimney inlet opening.

#### 12.6.8 Space Surrounding Lining or Vent.

**12.6.8.1** The remaining space surrounding a chimney liner, gas vent, special gas vent, or plastic piping installed within a masonry chimney shall not be used to vent another appliance.

*Exception: The insertion of another liner or vent within the chimney as provided in this code and the liner or vent manufacturer's instructions.*

**12.6.8.2** The remaining space surrounding a chimney liner, gas vent, special gas vent, or plastic piping installed within a masonry, metal, or factory-built chimney flue shall not be used to supply combustion air.

*Exception: Direct vent appliances designed for installation in a solid fuel-burning fireplace where installed in accordance with the manufacturer's installation instructions.*

#### 12.7 Gas Vents. See 3.3.107.2.

**12.7.1 Installation.** The installation of gas vents shall meet the following requirements:

- (1) Gas vents shall be installed in accordance with the manufacturer's installation instructions.
- (2) A Type B-W gas vent shall have a listed capacity not less than that of the listed vented wall furnace to which it is connected.
- (3) Gas vents installed within masonry chimneys shall be installed in accordance with the manufacturer's installation instructions. Gas vents installed within masonry chimneys

shall be identified with a permanent label installed at the point where the vent enters the chimney. The label shall contain the following language: "This gas vent is for appliances that burn gas. Do not connect to solid or liquid fuel-burning appliances or incinerators."

- (4) Screws, rivets, and other fasteners shall not penetrate the inner wall of double wall gas vents, except at the transition from the appliance draft hood outlet, flue collar, or single wall metal connector to a double wall vent.

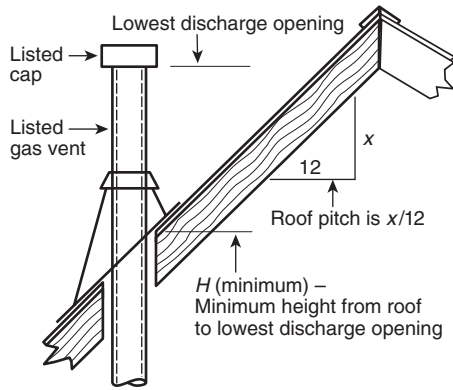
**12.7.2 Gas Vent Termination.** The termination of gas vents shall comply with the following requirements:

- (1) A gas vent shall terminate in accordance with one of the following:
  - (a) Gas vents that are 12 in. (300 mm) or less in size and located not less than 8 ft (2.4 m) from a vertical wall or similar obstruction shall terminate above the roof in accordance with Figure 12.7.2 and Table 12.7.2.
  - (b) Gas vents that are over 12 in. (300 mm) in size or are located less than 8 ft (2.4 m) from a vertical wall or similar obstruction shall terminate not less than 2 ft (0.6 m) above the highest point where they pass through the roof and not less than 2 ft (0.6 m) above any portion of a building within 10 ft (3.0 m) horizontally.
  - (c) Industrial appliances as provided in 12.3.4.
  - (d) Direct vent systems as provided in 12.3.5.
  - (e) Appliances with integral vents as provided in 12.3.6.
  - (f) Mechanical draft systems as provided in 12.4.3.
  - (g) Ventilating hoods and exhaust systems as provided in 12.4.4.
- (2) A Type B or a Type L gas vent shall terminate at least 5 ft (1.5 m) in vertical height above the highest connected appliance draft hood or flue collar.
- (3) A Type B-W gas vent shall terminate at least 12 ft (3.7 m) in vertical height above the bottom of the wall furnace.
- (4) A gas vent extending through an exterior wall shall not terminate adjacent to the wall or below eaves or parapets, except as provided in 12.3.5 and 12.4.3.
- (5) Decorative shrouds shall not be installed at the termination of gas vents except where such shrouds are listed for use with the specific gas venting system and are installed in accordance with manufacturers' installation instructions.
- (6) All gas vents shall extend through the roof flashing, roof jack, or roof thimble and terminate with a listed cap or listed roof assembly.
- (7) A gas vent shall terminate at least 3 ft (0.9 m) above a forced air inlet located within 10 ft (3.0 m).

**12.7.3 Size of Gas Vents.** Venting systems shall be sized and constructed in accordance with Chapter 13 or other approved engineering methods and the gas vent and the appliance manufacturer's instructions.

**12.7.3.1\* Category I Appliances.** The sizing of natural draft venting systems serving one or more listed appliances equipped with a draft hood or appliances listed for use with Type B gas vent, installed in a single story of a building, shall be in accordance with one of the following:

- (1) The provisions of Chapter 13.
- (2) Vents serving fan-assisted combustion system appliances, or combinations of fan-assisted combustion system and draft hood-equipped appliances, shall be sized in accordance with Chapter 13 or other approved engineering methods.



**FIGURE 12.7.2 Termination Locations for Gas Vents with Listed Caps 12 in. (300 mm) or Less in Size at Least 8 ft (2.4 m) from a Vertical Wall.**

**Table 12.7.2 Roof Slope Heights**

Roof Slope	H (minimum)	
	ft	m
Flat to 6/12	1.0	0.30
Over 6/12 to 7/12	1.25	0.38
Over 7/12 to 8/12	1.5	0.46
Over 8/12 to 9/12	2.0	0.61
Over 9/12 to 10/12	2.5	0.76
Over 10/12 to 11/12	3.25	0.99
Over 11/12 to 12/12	4.0	1.22
Over 12/12 to 14/12	5.0	1.52
Over 14/12 to 16/12	6.0	1.83
Over 16/12 to 18/12	7.0	2.13
Over 18/12 to 20/12	7.5	2.27
Over 20/12 to 21/12	8.0	2.44

- (3) For sizing an individual gas vent for a single, draft hood-equipped appliance, the effective area of the vent connector and the gas vent shall be not less than the area of the appliance draft hood outlet or greater than seven times the draft hood outlet area.
- (4) For sizing a gas vent connected to two appliances, with draft hoods, the effective area of the vent shall be not less than the area of the larger draft hood outlet plus 50 percent of the area of the smaller draft hood outlet or greater than seven times the smaller draft hood outlet area.
- (5) Other approved engineering practices.

**12.7.3.2 Vent Offsets.** Type B and Type L vents sized in accordance with 12.7.3.1(3) or 12.7.3.1(4) shall extend in a generally vertical direction with offsets not exceeding 45 degrees, except that a vent system having not more than one 60 degree offset shall be permitted. Any angle greater than 45 degrees from the vertical is considered horizontal. The total horizontal distance of a vent plus the horizontal vent connector serving draft hood-equipped appliances shall not be greater than 75 percent of the vertical height of the vent.

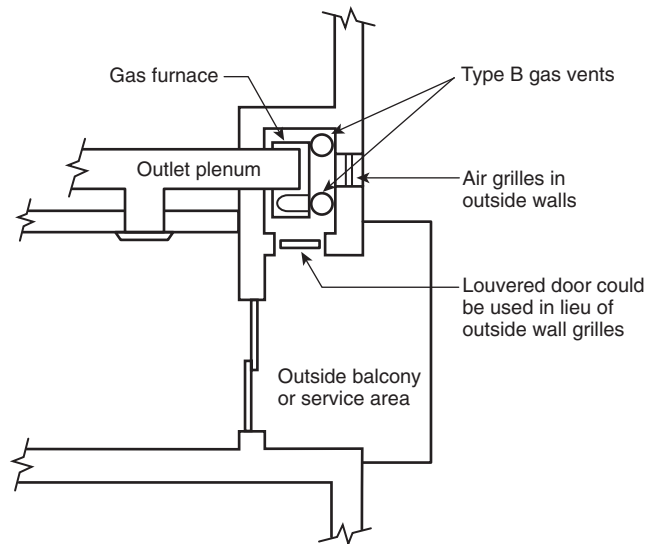
**12.7.3.3 Category II, Category III, and Category IV Appliances.** The sizing of gas vents for Category II, Category III, and Category IV appliances shall be in accordance with the appliance manufacturer’s instructions.

**12.7.3.4 Sizing.** Chimney venting systems using mechanical draft shall be sized in accordance with approved engineering methods.

**12.7.4 Gas Vents Serving Appliances on More than One Floor.**

**12.7.4.1** A common gas vent shall be permitted in multistory installations to vent Category I appliances located on more than one floor level, provided the venting system is designed and installed in accordance with approved engineering methods. For the purpose of this section, crawl spaces, basements, and attics shall be considered as floor levels.

**12.7.4.2** All appliances connected to the common vent shall be located in rooms separated from occupiable space. Each of these rooms shall have provisions for an adequate supply of combustion, ventilation, and dilution air that is not supplied from occupiable space. (See Figure 12.7.4.2.)



**FIGURE 12.7.4.2 Plan View of Practical Separation Method for Multistory Gas Venting.**

**12.7.4.3** The size of the connectors and common segments of multistory venting systems for appliances listed for use with a Type B double-wall gas vent shall be in accordance with Table 13.2(a), provided all of the following apply:

- (1) The available total height (*H*) for each segment of a multistory venting system is the vertical distance between the level of the highest draft hood outlet or flue collar on that floor and the centerline of the next highest interconnection tee. [See Figure G.1(k).]
- (2) The size of the connector for a segment is determined from the appliance’s gas input rate and available connector rise and shall not be smaller than the draft hood outlet or flue collar size.
- (3) The size of the common vertical vent segment, and of the interconnection tee at the base of that segment, is based on the total appliance’s gas input rate entering that segment and its available total height.

**12.7.5 Support of Gas Vents.** Gas vents shall be supported and spaced in accordance with the manufacturer's installation instructions.

**12.7.6 Marking.** In those localities where solid and liquid fuels are used extensively, gas vents shall be permanently identified by a label attached to the wall or ceiling at a point where the vent connector enters the gas vent. The label shall read: "This gas vent is for appliances that burn gas. Do not connect to solid or liquid fuel-burning appliances or incinerators." The authority having jurisdiction shall determine whether its area constitutes such a locality.

## 12.8 Single-Wall Metal Pipe.

**12.8.1 Construction.** Single-wall metal pipe shall be constructed of galvanized sheet steel not less than 0.0304 in. (0.7 mm) thick or of other approved, noncombustible, corrosion-resistant material.

**12.8.2\* Cold Climate.** Uninsulated single-wall metal pipe shall not be used outdoors for venting appliances in regions where the 99 percent winter design temperature is below 32°F (0°C).

**12.8.3 Termination.** The termination of single-wall metal pipe shall meet the following requirements:

- (1) Single-wall metal pipe shall terminate at least 5 ft (1.5 m) in vertical height above the highest connected appliance draft hood outlet or flue collar.
- (2) Single-wall metal pipe shall extend at least 2 ft (0.6 m) above the highest point where it passes through a roof of a building and at least 2 ft (0.6 m) higher than any portion of a building within a horizontal distance of 10 ft (3 m). (See Figure 12.6.2.1.)
- (3) An approved cap or roof assembly shall be attached to the terminus of a single-wall metal pipe. (Also see 12.8.4.4.)

### 12.8.4 Installation with Appliances Permitted by 12.5.1.

**12.8.4.1\* Prohibited Use.** Single-wall metal pipe shall not be used as a vent in dwellings and residential occupancies.

**12.8.4.2** Single-wall metal pipe shall be used only for runs directly from the space in which the appliance is located through the roof or exterior wall to the outer air. A pipe passing through a roof shall extend without interruption through the roof flashing, roof jacket, or roof thimble.

**12.8.4.3** Single-wall metal pipe shall not originate in any unoccupied attic or concealed space and shall not pass through any attic, inside wall, concealed space, or floor. (For the installation of a single-wall metal pipe through an exterior combustible wall, see 12.8.4.7.)

**12.8.4.4** Single-wall metal pipe used for venting an incinerator shall be exposed and readily examinable for its full length and shall have suitable clearances maintained.

**12.8.4.5** Minimum clearances from single-wall metal pipe to combustible material shall be in accordance with Table 12.8.4.5. Reduced clearances from single-wall metal pipe to combustible material shall be as specified for vent connectors in Table 10.2.3(b).

**12.8.4.6** Where a single-wall metal pipe passes through a roof constructed of combustible material, a noncombustible, non-ventilating thimble shall be used at the point of passage. The thimble shall extend at least 18 in. (460 mm) above and 6 in. (150 mm) below the roof with the annular space open at the

bottom and closed only at the top. The thimble shall be sized in accordance with 12.8.4.7.

**12.8.4.7** Single-wall metal pipe shall not pass through a combustible exterior wall unless guarded at the point of passage by a ventilated metal thimble not smaller than the following:

- (1) For listed appliances with draft hoods and appliances listed for use with Type B gas vents, the thimble shall be a minimum of 4 in. (100 mm) larger in diameter than the metal pipe. Where there is a run of not less than 6 ft (1.8 m) of metal pipe in the opening between the draft hood outlet and the thimble, the thimble shall be a minimum of 2 in. (50 mm) larger in diameter than the metal pipe.
- (2) For unlisted appliances having draft hoods, the thimble shall be a minimum of 6 in. (150 mm) larger in diameter than the metal pipe.
- (3) For residential and low-heat appliances, the thimble shall be a minimum of 12 in. (300 mm) larger in diameter than the metal pipe.

*Exception:* In lieu of thimble protection, all combustible material in the wall shall be removed a sufficient distance from the metal pipe to provide the specified clearance from such metal pipe to combustible material. Any material used to close up such opening shall be noncombustible.

**12.8.5 Size of Single-Wall Metal Pipe.** Single-wall metal piping shall comply with the following requirements:

- (1)\*A venting system of a single-wall metal pipe shall be sized in accordance with one of the following methods and the appliance manufacturer's instructions:
  - (a) For a draft hood-equipped appliance, in accordance with Chapter 13
  - (b) For a venting system for a single appliance with a draft hood, the areas of the connector and the pipe each shall not be less than the area of the appliance flue collar or draft hood outlet, whichever is smaller. The vent area shall not be greater than seven times the draft hood outlet area.
  - (c) Other approved engineering methods
- (2) Where a single-wall metal pipe is used and has a shape other than round, it shall have an equivalent effective area equal to the effective area of the round pipe for which it is substituted and the minimum internal dimension of the pipe shall be 2 in. (50 mm).
- (3) The vent cap or a roof assembly shall have a venting capacity not less than that of the pipe to which it is attached.

**12.8.6 Support of Single-Wall Metal Pipe.** All portions of single-wall metal pipe shall be supported for the design and weight of the material employed.

**12.8.7 Marking.** Single-wall metal pipe shall comply with the marking provisions of 12.7.6.

### 12.9\* Through-the-Wall Vent Termination.

**12.9.1** A mechanical draft venting system shall terminate at least 3 ft (0.9 m) above any forced air inlet located within 10 ft (3 m).

*Exception No. 1:* This provision shall not apply to the combustion air intake of a direct vent appliance.

*Exception No. 2:* This provision shall not apply to the separation of the integral outdoor air inlet and flue gas discharge of listed outdoor appliances.



**Table 12.8.4.5 Clearances for Connectors**

Appliance	Minimum Distance from Combustible Material			
	Listed Type B Gas Vent Material	Listed Type L Vent Material	Single-Wall Metal Pipe	Factory-Built Chimney Sections
Listed appliance with draft hoods and appliance listed for use with Type B gas vents	As listed	As listed	6 in.	As listed
Residential boilers and furnaces with listed gas conversion burner and with draft hood	6 in.	6 in.	9 in.	As listed
Residential appliances listed for use with Type L vents	Not permitted	As listed	9 in.	As listed
Listed gas-fired toilets	Not permitted	As listed	As listed	As listed
Unlisted residential appliances with draft hood	Not permitted	6 in.	9 in.	As listed
Residential and low-heat appliances other than those above	Not permitted	9 in.	18 in.	As listed
Medium-heat appliance	Not permitted	Not permitted	36 in.	As listed

For SI units, 1 in. = 25.4 mm.

Note: These clearances shall apply unless the installation instructions of a listed appliance or connector specify different clearances, in which case the listed clearances shall apply.

**12.9.2** A mechanical draft venting system of other than direct vent type shall terminate at least 4 ft (1.2 m) below, 4 ft (1.2 m) horizontally from, or 1 ft (300 mm) above any door, operable window, or gravity air inlet into any building. The bottom of the vent terminal shall be located at least 12 in. (300 mm) above finished ground level.

**12.9.3** The vent terminal of a direct vent appliance with an input of 10,000 Btu/hr (3 kW) or less shall be located at least 6 in. (150 mm) from any air opening into a building, an appliance with an input over 10,000 Btu/hr (3 kW) but not over 50,000 Btu/hr (14.7 kW) shall be installed with a 9 in. (230 mm) vent termination clearance, and an appliance with an input over 50,000 Btu/hr (14.7 kW) shall have at least a 12 in. (300 mm) vent termination clearance. The bottom of the vent terminal and the air intake shall be located at least 12 in. (300 mm) above finished ground level.

**12.9.4** Through-the-wall vents for Category II and Category IV appliances and noncategorized condensing appliances shall not terminate over public walkways or over an area where condensate or vapor could create a nuisance or hazard or could be detrimental to the operation of regulators, relief valves, or other equipment. Where local experience indicates that condensate is a problem with Category I and Category III appliances, this provision shall also apply. Drains for condensate shall be installed in accordance with the manufacturer's installation instructions.

**12.9.5** Where vents, including those for direct-vent appliances or combustion air intake pipes, penetrate outside walls of buildings, the annular spaces around such penetrations shall be permanently sealed using approved materials to prevent entry of combustion products into the building.

#### 12.10 Condensation Drain.

**12.10.1** Provision shall be made to collect and dispose of condensate from venting systems serving Category II and Category IV appliances and noncategorized condensing appliances in accordance with 12.9.4.

**12.10.2** Where local experience indicates that condensation is a problem, provision shall be made to drain off and dispose of condensate from venting systems serving Category I and Category III appliances in accordance with 12.9.4.

#### 12.11 Vent Connectors for Category I Appliances.

**12.11.1 Where Required.** A vent connector shall be used to connect an appliance to a gas vent, chimney, or single-wall metal pipe, except where the gas vent, chimney, or single-wall metal pipe is directly connected to the appliance.

##### 12.11.2 Materials.

**12.11.2.1** A vent connector shall be made of noncombustible, corrosion-resistant material capable of withstanding the vent gas temperature produced by the appliance and of sufficient thickness to withstand physical damage.

**12.11.2.2** Where the vent connector used for an appliance having a draft hood or a Category I appliance is located in or passes through an unconditioned area, that portion of the vent connector shall be listed Type B, Type L, or listed vent material having equivalent insulation qualities.

*Exception: Single-wall metal pipe located within the exterior walls of the building and located in areas having a local 99 percent winter design temperature of 5°F (-15°C) or higher (see Figure G.2.4).*

**12.11.2.3** Where the vent connector used for an appliance having a draft hood or a Category I appliance is located in or passes through attics and crawl spaces, that portion of the vent connector shall be listed Type B, Type L, or listed vent material having equivalent insulation qualities.

**12.11.2.4** Vent connectors for residential-type appliances shall comply with the following:

- (1) Vent connectors for listed appliances having draft hoods, appliances having draft hoods and equipped with listed conversion burners, and Category I appliances that are



not installed in attics, crawl spaces, or other unconditioned areas shall be one of the following:

- (a) Type B or Type L vent material
  - (b) Galvanized sheet steel not less than 0.018 in. (0.46 mm) thick
  - (c) Aluminum (1100 or 3003 alloy or equivalent) sheet not less than 0.027 in. (0.69 mm) thick
  - (d) Stainless steel sheet not less than 0.012 in. (0.31 mm) thick
  - (e) Smooth interior wall metal pipe having resistance to heat and corrosion equal to or greater than that of 12.11.2.4(1)(b), (c), or (d)
  - (f) A listed vent connector
- (2) Vent connectors shall not be covered with insulation.

*Exception:* Listed insulated vent connectors shall be installed in accordance with the manufacturer's installation instructions.

**12.11.2.5** A vent connector for a nonresidential low-heat appliance shall be a factory-built chimney section or steel pipe having resistance to heat and corrosion equivalent to that for the appropriate galvanized pipe as specified in Table 12.11.2.5. Factory-built chimney sections shall be joined together in accordance with the chimney manufacturer's instructions.

**Table 12.11.2.5 Minimum Thickness for Galvanized Steel Vent Connectors for Low-Heat Appliances**

Diameter of Connector (in.)	Minimum Thickness (in.)
Less than 6	0.019
6 to less than 10	0.023
10 to 12 inclusive	0.029
14 to 16 inclusive	0.034
Over 16	0.056

For SI units, 1 in. = 25.4 mm, 1 in.<sup>2</sup> = 645 mm<sup>2</sup>.

**12.11.2.6** Vent connectors for medium-heat appliances and commercial and industrial incinerators shall be constructed of factory-built, medium-heat chimney sections or steel of a thickness not less than that specified in Table 12.11.2.6 and shall comply with the following:

- (1) A steel vent connector for an appliance with a vent gas temperature in excess of 1000°F (538°C) measured at the entrance to the connector shall be lined with medium-duty fire brick or the equivalent.
- (2) The lining shall be at least 2½ in. (64 mm) thick for a vent connector having a diameter or greatest cross-sectional dimension of 18 in. (460 mm) or less.
- (3) The lining shall be at least 4½ in. (110 mm) thick laid on the 4½ in. (110 mm) bed for a vent connector having a diameter or greatest cross-sectional dimension greater than 18 in. (460 mm).
- (4) Factory-built chimney sections, if employed, shall be joined together in accordance with the chimney manufacturer's instructions.

#### 12.11.3\* Size of Vent Connector.

**12.11.3.1** A vent connector for an appliance with a single draft hood or for a Category I fan-assisted combustion system

**Table 12.11.2.6 Minimum Thickness for Steel Vent Connectors for Medium-Heat Appliances and Commercial and Industrial Incinerators**

Vent Connector Size		Minimum Thickness (in.)
Diameter (in.)	Area (in. <sup>2</sup> )	
Up to 14	Up to 154	0.053
Over 14 to 16	154 to 201	0.067
Over 16 to 18	201 to 254	0.093
Over 18	Larger than 254	0.123

For SI units, 1 in. = 25.4 mm, 1 in.<sup>2</sup> = 645 mm<sup>2</sup>.

appliance shall be sized and installed in accordance with Chapter 13 or other approved engineering methods.

**12.11.3.2** For a single appliance having more than one draft hood outlet or flue collar, the manifold shall be constructed according to the instructions of the appliance manufacturer. Where there are no instructions, the manifold shall be designed and constructed in accordance with approved engineering practices. As an alternative method, the effective area of the manifold shall equal the combined area of the flue collars or draft hood outlets, and the vent connectors shall have a minimum 1 ft (0.3 m) rise.

**12.11.3.3** Where two or more appliances are connected to a common vent or chimney, each vent connector shall be sized in accordance with Chapter 13 or other approved engineering methods.

**12.11.3.4** As an alternative method applicable only where all of the appliances are draft hood-equipped, each vent connector shall have an effective area not less than the area of the draft hood outlet of the appliance to which it is connected.

**12.11.3.5** Where two or more appliances are vented through a common vent connector or vent manifold, the common vent connector or vent manifold shall be located at the highest level consistent with available headroom and clearance to combustible material and shall be sized in accordance with Chapter 13 or other approved engineering methods.

**12.11.3.6** As an alternative method applicable only where there are two draft hood-equipped appliances, the effective area of the common vent connector or vent manifold and all junction fittings shall be not less than the area of the larger vent connector plus 50 percent of the area of the smaller flue collar outlet.

**12.11.3.7** Where the size of a vent connector is increased to overcome installation limitations and obtain connector capacity equal to the appliance input, the size increase shall be made at the appliance draft hood outlet.

#### 12.11.4 Two or More Appliances Connected to a Single Vent.

**12.11.4.1** Where two or more openings are provided into one chimney flue or vent, either the openings shall be at different levels or the connectors shall be attached to the vertical portion of the chimney or vent at an angle of 45 degrees or less relative to the vertical.

**12.11.4.2** Where two or more vent connectors enter a common gas vent, chimney flue, or single-wall metal pipe, the

smaller connector shall enter at the highest level consistent with the available headroom or clearance to combustible material.

**12.11.4.3** Vent connectors serving Category I appliances shall not be connected to any portion of a mechanical draft system operating under positive static pressure, such as those serving Category III or Category IV appliances.

**12.11.5 Clearance.** Minimum clearances from vent connectors to combustible material shall be in accordance with Table 12.8.4.5.

*Exception: The clearance between a vent connector and combustible material shall be permitted to be reduced where the combustible material is protected as specified for vent connectors in Table 10.2.3(b).*

**12.11.6 Avoid Unnecessary Bends.** A vent connector shall be installed so as to avoid turns or other construction features that create excessive resistance to flow of vent gases.

**12.11.7 Joints.** Joints between sections of connector piping and connections to flue collars or draft hood outlets shall be fastened in accordance with one of the following methods:

- (1) Sheet metal screws
- (2) Vent connectors of listed vent material assembled and connected to flue collars or draft hood outlets in accordance with the manufacturers' instructions
- (3) Other approved means

**12.11.8 Slope.** A vent connector shall be installed without any dips or sags and shall slope upward toward the vent or chimney at least ¼ in./ft (20 mm/m).

*Exception: Vent connectors attached to a mechanical draft system installed in accordance with appliance and the draft system manufacturers' instructions.*

#### 12.11.9 Length of Vent Connector.

**12.11.9.1** A vent connector shall be as short as practical, and the appliance located as close as practical, to the chimney or vent.

**12.11.9.2** The maximum horizontal length of a single-wall connector shall be 75 percent of the height of the chimney or vent, except for engineered systems.

**12.11.9.3** The maximum horizontal length of a Type B double-wall connector shall be 100 percent of the height of the chimney or vent, except for engineered systems. The maximum length of an individual connector for a chimney or vent system serving multiple appliances, from the appliance outlet to the junction with the common vent or another connector, shall be 100 percent of the height of the chimney or vent.

**12.11.10 Support.** A vent connector shall be supported for the design and weight of the material employed to maintain clearances and prevent physical damage and separation of joints.

**12.11.11 Chimney Connection.** Where entering a flue in a masonry or metal chimney, the vent connector shall be installed above the extreme bottom to avoid stoppage. Where a thimble or slip joint is used to facilitate removal of the connector, the connector shall be firmly attached to or inserted into the thimble or slip joint to prevent the connector from falling out. Means shall be employed to prevent the connector from entering so far as to restrict the space between its end and the opposite wall of the chimney flue.

**12.11.12 Inspection.** The entire length of a vent connector shall be readily accessible for inspection, cleaning, and replacement.

**12.11.13 Fireplaces.** A vent connector shall not be connected to a chimney flue serving a fireplace unless the fireplace flue opening is permanently sealed.

#### 12.11.14 Passage Through Ceilings, Floors, or Walls.

**12.11.14.1** Single-wall metal pipe connectors shall not pass through any wall, floor, or ceiling except as permitted by 12.8.4.2 and 12.8.4.7.

**12.11.14.2** Vent connectors for medium-heat appliances shall not pass through walls or partitions constructed of combustible material.

**12.12 Vent Connectors for Category II, Category III, and Category IV Appliances.** See Section 12.5.

#### 12.13 Draft Hoods and Draft Controls.

**12.13.1 Appliances Requiring Draft Hoods.** Vented appliances shall be installed with draft hoods.

*Exception: Dual oven-type combination ranges, incinerators, direct vent appliances; fan-assisted combustion system appliances; appliances requiring chimney draft for operation; single-firebox boilers equipped with conversion burners with inputs greater than 400,000 Btu/hr (117 kW); appliances equipped with blast, power, or pressure burners that are not listed for use with draft hoods; and appliances designed for forced venting.*

**12.13.2 Installation.** A draft hood supplied with or forming a part of a listed vented appliance shall be installed without alteration, exactly as furnished and specified by the appliance manufacturer.

**12.13.2.1** If a draft hood is not supplied by the appliance manufacturer where one is required, a draft hood shall be installed, be of a listed or approved type, and, in the absence of other instructions, be of the same size as the appliance flue collar. Where a draft hood is required with a conversion burner, it shall be of a listed or approved type.

**12.13.2.2** Where a draft hood of special design is needed or preferable, the installation shall be in accordance with the recommendations of the appliance manufacturer and shall be approved.

**12.13.3 Draft Control Devices.** Where a draft control device is part of the appliance or is supplied by the appliance manufacturer, it shall be installed in accordance with the manufacturer's instructions. In the absence of manufacturer's instructions, the device shall be attached to the flue collar of the appliance or as near to the appliance as practical.

**12.13.4\* Additional Devices.** Appliances (except incinerators) requiring controlled chimney draft shall be permitted to be equipped with listed double-acting barometric draft regulators installed and adjusted in accordance with the manufacturers' instructions.

**12.13.5 Location.** Draft hoods and barometric draft regulators shall be installed in the same room or enclosure as the appliance in such a manner as to prevent any difference in pressure between the hood or regulator and the combustion air supply.

**12.13.6 Positioning.** Draft hoods and draft regulators shall be installed in the position for which they were designed with

reference to the horizontal and vertical planes and shall be located so that the relief opening is not obstructed by any part of the appliance or adjacent construction. The appliance and its draft hood shall be located so that the relief opening is accessible for checking vent operation.

**12.13.7 Clearance.** A draft hood shall be located so that its relief opening is not less than 6 in. (150 mm) from any surface except that of the appliance it serves and the venting system to which the draft hood is connected. Where a greater or lesser clearance is indicated on the appliance label, the clearance shall not be less than that specified on the label. Such clearances shall not be reduced.

**12.14 Manually Operated Dampers.** A manually operated damper shall not be placed in any appliance vent connector. Fixed baffles shall not be classified as manually operated dampers.

**12.15 Automatically Operated Vent Dampers.** An automatically operated vent damper shall be of a listed type.

**12.16 Obstructions.** Devices that retard the flow of vent gases shall not be installed in a vent connector, chimney, or vent. The following shall not be considered as obstructions:

- (1) Draft regulators and safety controls specifically listed for installation in venting systems and installed in accordance with the manufacturer's installation instructions
- (2) Approved draft regulators and safety controls designed and installed in accordance with approved engineering methods
- (3) Listed heat reclaimers and automatically operated vent dampers installed in accordance with the manufacturers' installation instructions
- (4) Vent dampers serving listed appliances installed in accordance with 13.1.1 and 13.2.1 or other approved engineering methods
- (5) Approved economizers, heat reclaimers, and recuperators installed in venting systems of appliances not required to be equipped with draft hoods, provided the gas utilization appliance manufacturer's instructions cover the installation of such a device in the venting system and performance in accordance with Section 12.1 and 12.4.1 is obtained

## Chapter 13 Sizing of Category I Venting Systems

### 13.1 Additional Requirements to Single Appliance Vent.

**13.1.1 Obstructions and Vent Dampers.** Venting Table 13.1(a) through Table 13.1(f) shall not be used where obstructions (*see Section 12.16*) are installed in the venting system. The installation of vents serving listed appliances with vent dampers shall be in accordance with the appliance manufacturer's instructions or in accordance with the following:

- (1) The maximum capacity of the vent system shall be determined using the "NAT Max" column.
- (2) The minimum capacity shall be determined as though the appliance were a fan-assisted appliance, using the "FAN Min" column to determine the minimum capacity of the vent system. Where the corresponding "Fan Min" is "NA," the vent configuration shall not be permitted and an alternative venting configuration shall be utilized.

**13.1.2 Vent Downsizing.** Where the vent size determined from the tables is smaller than the appliance draft hood outlet or flue collar, the use of the smaller size shall be permitted, provided that the installation complies with all of the following requirements:

- (1) The total vent height ( $H$ ) is at least 10 ft (3 m).
- (2) Vents for appliance draft hood outlets or flue collars 12 in. (300 mm) in diameter or smaller are not reduced more than one table size.
- (3) Vents for appliance draft hood outlets or flue collars larger than 12 in. (300 mm) in diameter are not reduced more than two table sizes.
- (4) The maximum capacity listed in the tables for a fan-assisted appliance is reduced by 10 percent ( $0.90 \times$  maximum table capacity).
- (5) The draft hood outlet is greater than 4 in. (100 mm) in diameter. A 3 in. (80 mm) diameter vent shall not be connected to a 4 in. (100 mm) diameter draft hood outlet. This provision shall not apply to fan-assisted appliances.

**13.1.3 Elbows.** Single-appliance venting configurations with zero (0) lateral lengths in Table 13.1(a), Table 13.1(b), and Table 13.1(e) shall not have elbows in the venting system. Single-appliance venting with lateral lengths include two 90 degree elbows. For each additional elbow up to and including 45 degrees, the maximum capacity listed in the venting tables shall be reduced by 5 percent. For each additional elbow greater than 45 degrees up to and including 90 degrees, the maximum capacity listed in the venting tables shall be reduced by 10 percent. Where multiple offsets occur in a vent, the total lateral length of all offsets combined shall not exceed that specified in Table 13.1(a) through Table 13.1(e).

**13.1.4 Zero Lateral.** Zero (0) lateral ( $L$ ) shall apply only to a straight vertical vent attached to a top outlet draft hood or flue collar.

**13.1.5 High-Altitude Installations.** Sea level input ratings shall be used when determining maximum capacity for high-altitude installation. Actual input (derated for altitude) shall be used for determining minimum capacity for high-altitude installation.

**13.1.6 Two-Stage/Modulating Appliances.** For appliances with more than one input rate, the minimum vent capacity (FAN Min) determined from the Chapter 13 tables shall be less than the lowest appliance input rating, and the maximum vent capacity (FAN Max/NAT Max) determined from the tables shall be greater than the highest appliance rating input.

**13.1.7\* Corrugated Chimney Liners.** Listed corrugated metallic chimney liner systems in masonry chimneys shall be sized by using Table 13.1(a) or Table 13.1(b) for Type B vents, with the maximum capacity reduced by 20 percent ( $0.80 \times$  maximum capacity) and the minimum capacity as shown in Table 13.1(a) or Table 13.1(b). Corrugated metallic liner systems installed with bends or offsets shall have their maximum capacity further reduced in accordance with 13.1.3. The 20 percent reduction for corrugated metallic chimney liner systems includes an allowance for one long radius 90 degree turn at the bottom of the liner.

**13.1.8 Connection to Chimney Liners.** Connections between chimney liners and listed double-wall connectors shall be made with listed adapters designed for such purpose.

**13.1.9 Vertical Vent Upsizing/7  $\times$  Rule.** Where the vertical vent has a larger diameter than the vent connector, the vertical vent diameter shall be used to determine the minimum vent capacity, and the connector diameter shall be used to determine the maximum vent capacity. The flow area of the vertical vent shall not exceed seven times the flow area of the listed appliance categorized vent area, flue collar area, or draft hood outlet area unless designed in accordance with approved engineering methods.

*Note to User: 13.1.10 through 13.1.17 are located on page 101.*

**Table 13.1(a) Type B Double-Wall Gas Vent**

		Number of Appliances: Single																				
		Appliance Type: Category I																				
		Appliance Vent Connection: Connected Directly to Vent																				
		Vent Diameter — D (in.)																				
		3			4			5			6			7			8			9		
		Appliance Input Rating in Thousands of Btu per Hour																				
Height H (ft)	Lateral L (ft)	FAN		NAT	FAN		NAT	FAN		NAT	FAN		NAT	FAN		NAT	FAN		NAT	FAN		NAT
		Min	Max	Max	Min	Max	Max	Min	Max	Max	Min	Max	Max	Min	Max	Max	Min	Max	Max	Min	Max	Max
6	0	0	78	46	0	152	86	0	251	141	0	375	205	0	524	285	0	698	370	0	897	470
	2	13	51	36	18	97	67	27	157	105	32	232	157	44	321	217	53	425	285	63	543	370
	4	21	49	34	30	94	64	39	153	103	50	227	153	66	316	211	79	419	279	93	536	362
	6	25	46	32	36	91	61	47	149	100	59	223	149	78	310	205	93	413	273	110	530	354
8	0	0	84	50	0	165	94	0	276	155	0	415	235	0	583	320	0	780	415	0	1006	537
	2	12	57	40	16	109	75	25	178	120	28	263	180	42	365	247	50	483	322	60	619	418
	5	23	53	38	32	103	71	42	171	115	53	255	173	70	356	237	83	473	313	99	607	407
	8	28	49	35	39	98	66	51	164	109	64	247	165	84	347	227	99	463	303	117	596	396
10	0	0	88	53	0	175	100	0	295	166	0	447	255	0	631	345	0	847	450	0	1096	585
	2	12	61	42	17	118	81	23	194	129	26	289	195	40	402	273	48	533	355	57	684	457
	5	23	57	40	32	113	77	41	187	124	52	280	188	68	392	263	81	522	346	95	671	446
	10	30	51	36	41	104	70	54	176	115	67	267	175	88	376	245	104	504	330	122	651	427
15	0	0	94	58	0	191	112	0	327	187	0	502	285	0	716	390	0	970	525	0	1263	682
	2	11	69	48	15	136	93	20	226	150	22	339	225	38	475	316	45	633	414	53	815	544
	5	22	65	45	30	130	87	39	219	142	49	330	217	64	463	300	76	620	403	90	800	529
	10	29	59	41	40	121	82	51	206	135	64	315	208	84	445	288	99	600	386	116	777	507
	15	35	53	37	48	112	76	61	195	128	76	301	198	98	429	275	115	580	373	134	755	491
20	0	0	97	61	0	202	119	0	349	202	0	540	307	0	776	430	0	1057	575	0	1384	752
	2	10	75	51	14	149	100	18	250	166	20	377	249	33	531	346	41	711	470	50	917	612
	5	21	71	48	29	143	96	38	242	160	47	367	241	62	519	337	73	697	460	86	902	599
	10	28	64	44	38	133	89	50	229	150	62	351	228	81	499	321	95	675	443	112	877	576
	15	34	58	40	46	124	84	59	217	142	73	337	217	94	481	308	111	654	427	129	853	557
	20	48	52	35	55	116	78	69	206	134	84	322	206	107	464	295	125	634	410	145	830	537
30	0	0	100	64	0	213	128	0	374	220	0	587	336	0	853	475	0	1173	650	0	1548	855
	2	9	81	56	13	166	112	14	283	185	18	432	280	27	613	394	33	826	535	42	1072	700
	5	21	77	54	28	160	108	36	275	176	45	421	273	58	600	385	69	811	524	82	1055	688
	10	27	70	50	37	150	102	48	262	171	59	405	261	77	580	371	91	788	507	107	1028	668
	15	33	64	NA	44	141	96	57	249	163	70	389	249	90	560	357	105	765	490	124	1002	648
	20	56	58	NA	53	132	90	66	237	154	80	374	237	102	542	343	119	743	473	139	977	628
	30	NA	NA	NA	73	113	NA	88	214	NA	104	346	219	131	507	321	149	702	444	171	929	594
50	0	0	101	67	0	216	134	0	397	232	0	633	363	0	932	518	0	1297	708	0	1730	952
	2	8	86	61	11	183	122	14	320	206	15	497	314	22	715	445	26	975	615	33	1276	813
	5	20	82	NA	27	177	119	35	312	200	43	487	308	55	702	438	65	960	605	77	1259	798
	10	26	76	NA	35	168	114	45	299	190	56	471	298	73	681	426	86	935	589	101	1230	773
	15	59	70	NA	42	158	NA	54	287	180	66	455	288	85	662	413	100	911	572	117	1203	747
	20	NA	NA	NA	50	149	NA	63	275	169	76	440	278	97	642	401	113	888	556	131	1176	722
	30	NA	NA	NA	69	131	NA	84	250	NA	99	410	259	123	605	376	141	844	522	161	1125	670
100	0	NA	NA	NA	0	218	NA	0	407	NA	0	665	400	0	997	560	0	1411	770	0	1908	1040
	2	NA	NA	NA	10	194	NA	12	354	NA	13	566	375	18	831	510	21	1155	700	25	1536	935
	5	NA	NA	NA	26	189	NA	33	347	NA	40	557	369	52	820	504	60	1141	692	71	1519	926
	10	NA	NA	NA	33	182	NA	43	335	NA	53	542	361	68	801	493	80	1118	679	94	1492	910
	15	NA	NA	NA	40	174	NA	50	321	NA	62	528	353	80	782	482	93	1095	666	109	1465	895
	20	NA	NA	NA	47	166	NA	59	311	NA	71	513	344	90	763	471	105	1073	653	122	1438	880
	30	NA	NA	NA	NA	NA	NA	78	290	NA	92	483	NA	115	726	449	131	1029	627	149	1387	849
	50	NA	NA	NA	NA	NA	NA	NA	NA	NA	147	428	NA	180	651	405	197	944	575	217	1288	787



Table 13.1(a) Continued

		Number of Appliances: Single																									
		Appliance Type: Category I																									
		Appliance Vent Connection: Connected Directly to Vent																									
		Vent Diameter — D (in.)																									
		10		12		14		16		18		20		22		24											
		Appliance Input Rating in Thousands of Btu per Hour																									
Height H (ft)	Lat eral L (ft)	FAN		NAT	FAN		NAT	FAN		NAT	FAN		NAT	FAN		NAT	FAN		NAT	FAN		NAT					
		Min	Max	Max	Min	Max	Max	Min	Max	Max	Min	Max	Max	Min	Max	Max	Min	Max	Max	Min	Max	Max					
6	0	0	1121	570	0	1645	850	0	2267	1170	0	2983	1530	0	3802	1960	0	4721	2430	0	5737	2950	0	6853	3520		
2	75	675	455	103	982	650	103	982	650	138	1346	890	178	1769	1170	225	2250	1480	296	2782	1850	360	3377	2220	426	4030	2670
4	110	668	445	147	975	640	191	1338	880	242	1761	1160	300	2242	1475	390	2774	1835	469	3370	2215	555	4023	2660	618	4017	2650
6	128	661	435	171	967	630	219	1330	870	276	1753	1150	341	2235	1470	437	2767	1820	523	3363	2210	618	4017	2650			
8	0	0	1261	660	0	1858	970	0	2571	1320	0	3399	1740	0	4333	2220	0	5387	2750	0	6555	3360	0	7838	4010		
2	71	770	515	98	1124	745	130	1543	1020	168	2030	1340	212	2584	1700	278	3196	2110	336	3882	2560	401	4634	3050	562	4612	3040
5	115	758	503	154	1110	733	199	1528	1010	251	2013	1330	311	2563	1685	398	3180	2090	478	3863	2545	562	4612	3040			
8	137	746	490	180	1097	720	231	1514	1000	289	2000	1320	354	2552	1670	450	3163	2070	537	3850	2530	630	4602	3030			
10	0	0	1377	720	0	2036	1060	0	2825	1450	0	3742	1925	0	4782	2450	0	5955	3050	0	7254	3710	0	8682	4450		
2	68	852	560	93	1244	850	124	1713	1130	161	2256	1480	202	2868	1890	264	3556	2340	319	4322	2840	378	5153	3390	540	5132	3371
5	112	839	547	149	1229	829	192	1696	1105	243	2238	1461	300	2849	1871	382	3536	2318	458	4301	2818	540	5132	3371			
10	142	817	525	187	1204	795	238	1669	1080	298	2209	1430	364	2818	1840	459	3504	2280	546	4268	2780	641	5099	3340			
15	0	0	1596	840	0	2380	1240	0	3323	1720	0	4423	2270	0	5678	2900	0	7099	3620	0	8665	4410	0	10,393	5300		
2	63	1019	675	86	1495	985	114	2062	1350	147	2719	1770	186	3467	2260	239	4304	2800	290	5232	3410	346	6251	4080	501	6222	4057
5	105	1003	660	140	1476	967	182	2041	1327	229	2696	1748	283	3442	2235	355	4278	2777	426	5204	3385	501	6222	4057			
10	135	977	635	177	1446	936	227	2009	1289	283	2659	1712	346	3402	2193	432	4234	2739	510	5159	3343	599	6175	4019			
15	155	953	610	202	1418	905	257	1976	1250	318	2623	1675	385	3363	2150	479	4192	2700	564	5115	3300	665	6129	3980			
20	0	0	1756	930	0	2637	1350	0	3701	1900	0	4948	2520	0	6376	3250	0	7988	4060	0	9785	4980	0	11,753	6000		
2	59	1150	755	81	1694	1100	107	2343	1520	139	3097	2000	175	3955	2570	220	4916	3200	269	5983	3910	321	7154	4700	321	7154	4700
5	101	1133	738	135	1674	1079	174	2320	1498	219	3071	1978	270	3926	2544	337	4885	3174	403	5950	3880	475	7119	4662	475	7119	4662
10	130	1105	710	172	1641	1045	220	2282	1460	273	3029	1940	334	3880	2500	413	4835	3130	489	5896	3830	573	7063	4600	573	7063	4600
15	150	1078	688	195	1609	1018	248	2245	1425	306	2988	1910	372	3835	2465	459	4786	3090	541	5844	3795	631	7007	4575	631	7007	4575
20	167	1052	665	217	1578	990	273	2210	1390	335	2948	1880	404	3791	2430	495	4737	3050	585	5792	3760	689	6953	4550	689	6953	4550
30	0	0	1977	1060	0	3004	1550	0	4252	2170	0	5725	2920	0	7420	3770	0	9341	4750	0	11,483	5850	0	13,848	7060		
2	54	1351	865	74	2004	1310	98	2786	1800	127	3696	2380	159	4734	3050	199	5900	3810	241	7194	4650	285	8617	5600	285	8617	5600
5	96	1332	851	127	1981	1289	164	2759	1775	206	3666	2350	252	4701	3020	312	5863	3783	373	7155	4622	439	8574	5552	439	8574	5552
10	125	1301	829	164	1944	1254	209	2716	1733	259	3617	2300	316	4647	2970	386	5803	3739	456	7090	4574	535	8505	5471	535	8505	5471
15	143	1272	807	187	1908	1220	237	2674	1692	292	3570	2250	354	4594	2920	431	5744	3695	507	7026	4527	590	8437	5391	590	8437	5391
20	160	1243	784	207	1873	1185	260	2633	1650	319	3523	2200	384	4542	2870	467	5686	3650	548	6964	4480	639	8370	5310	639	8370	5310
30	195	1189	745	246	1807	1130	305	2555	1585	369	3433	2130	440	4442	2785	540	5574	3565	635	6842	4375	739	8239	5225	739	8239	5225
50	0	0	2231	1195	0	3441	1825	0	4934	2550	0	6711	3440	0	8774	4460	0	11,129	5635	0	13,767	6940	0	16,694	8430		
2	41	1620	1010	66	2431	1513	86	3409	2125	113	4554	2840	141	5864	3670	171	7339	4630	209	8980	5695	251	10,788	6860	251	10,788	6860
5	90	1600	996	118	2406	1495	151	3380	2102	191	4520	2813	234	5826	3639	283	7295	4597	336	8933	5654	394	10,737	6818	394	10,737	6818
10	118	1567	972	154	2366	1466	196	3332	2064	243	4464	2767	295	5763	3585	355	7224	4542	419	8855	5585	491	10,652	6749	491	10,652	6749
15	136	1536	948	177	2327	1437	222	3285	2026	274	4409	2721	330	5701	3534	396	7155	4511	465	8779	5546	542	10,570	6710	542	10,570	6710
20	151	1505	924	195	2288	1408	244	3239	1987	300	4356	2675	361	5641	3481	433	7086	4479	506	8704	5506	586	10,488	6670	586	10,488	6670
30	183	1446	876	232	2214	1349	287	3150	1910	347	4253	2631	412	5523	3431	494	6953	4421	577	8557	5444	672	10,328	6603	672	10,328	6603
100	0	0	2491	1310	0	3925	2050	0	5729	2950	0	7914	4050	0	10,485	5300	0	13,454	6700	0	16,817	8600	0	20,578	10,300		
2	30	1975	1170	44	3027	1820	72	4313	2550	95	5834	3500	120	7591	4600	138	9577	5800	169	11,803	7200	204	14,264	8800	204	14,264	8800
5	82	1955	1159	107	3002	1803	136	4282	2531	172	5797	3475	208	7548	4566	245	9528	5769	293	11,748	7162	341	14,204	8756	341	14,204	8756
10	108	1923	1142	142	2961	1775	180	4231	2500	223	5737	3434	268	7478	4509	318	9447	5717	374	11,658	7100	436	14,105	8683	436	14,105	8683
15	126	1892	1124	163	2920	1747	206	4182	2469	252	5678	3392	304	7409	4451	358	9367	5665	418	11,569	7037	487	14,007	8610	487	14,007	8610
20	141	1861	1107	181	2880	1719	226	4133	2438	277	5619	3351	330	7341	4394	387	9289	5613	452	11,482	6975	523	13,910	8537	523	13,910	8537
30	170	1802	1071	215	2803	1663	265	4037	2375	319	5505	3267	378	7209	4279	446	9136	5509	514	11,310	6850	592	13,720	8391	592	13,720	8391
50	241	1688	1000	292	2657	1550	350	3856	2250	415	5289	3100	486	6956	4050	572	8841	5300	659	10,979	6600	752	13,354	8100	752	13,354	8100

For SI units, 1 in. = 25.4 mm, 1 ft = 0.305 m, 1000 Btu/hr = 0.293 kW, 1 in.<sup>2</sup> = 645 mm<sup>2</sup>.  
 NA: Not applicable.



**Table 13.1(b) Type B Double-Wall Vent**

		Number of Appliances: Single																													
		Appliance Type: Category I																													
		Appliance Vent Connection: Single-Wall Metal Connector																													
		Vent Diameter — D (in.)																													
		3			4			5			6			7			8			9			10			12					
		Appliance Input Rating in Thousands of Btu per Hour																													
Height H (ft)	Lateral L (ft)	FAN		NAT	FAN		NAT	FAN		NAT	FAN		NAT	FAN		NAT	FAN		NAT	FAN		NAT	FAN		NAT	FAN		NAT	FAN		NAT
		Min	Max	Max	Min	Max	Max	Min	Max	Max	Min	Max	Max	Min	Max	Max	Min	Max	Max	Min	Max	Max	Min	Max	Max	Min	Max	Max	Min	Max	Max
6	0	38	77	45	59	151	85	85	249	140	126	373	204	165	522	284	211	695	369	267	894	469	371	1118	569	537	1639	849			
	2	39	51	36	60	96	66	85	156	104	123	231	156	159	320	213	201	423	284	251	541	368	347	673	453	498	979	648			
	4	NA	NA	33	74	92	63	102	152	102	146	225	152	187	313	208	237	416	277	295	533	360	409	664	443	584	971	638			
	6	NA	NA	31	83	89	60	114	147	99	163	220	148	207	307	203	263	409	271	327	526	352	449	656	433	638	962	627			
8	0	37	83	50	58	164	93	83	273	154	123	412	234	161	580	319	206	777	414	258	1002	536	360	1257	658	521	1852	967			
	2	39	56	39	59	108	75	83	176	119	121	261	179	155	363	246	197	482	321	246	617	417	339	768	513	486	1120	743			
	5	NA	NA	37	77	102	69	107	168	114	151	252	171	193	352	235	245	470	311	305	604	404	418	754	500	598	1104	730			
	8	NA	NA	33	90	95	64	122	161	107	175	243	163	223	342	225	280	458	300	344	591	392	470	740	486	665	1089	715			
10	0	37	87	53	57	174	99	82	293	165	120	444	254	158	628	344	202	844	449	253	1093	584	351	1373	718	507	2031	1057			
	2	39	61	41	59	117	80	82	193	128	119	287	194	153	400	272	193	531	354	242	681	456	332	849	559	475	1242	848			
	5	52	56	39	76	111	76	105	185	122	148	277	186	190	388	261	241	518	344	299	667	443	409	834	544	584	1224	825			
	10	NA	NA	34	97	100	68	132	171	112	188	261	171	237	369	241	296	497	325	363	643	423	492	808	520	688	1194	788			
15	0	36	93	57	56	190	111	80	325	186	116	499	283	153	713	388	195	966	523	244	1259	681	336	1591	838	488	2374	1237			
	2	38	69	47	57	136	93	80	225	149	115	337	224	148	473	314	187	631	413	232	812	543	319	1015	673	457	1491	983			
	5	51	63	44	75	128	86	102	216	140	144	326	217	182	459	298	231	616	400	287	795	526	392	997	657	562	1469	963			
	10	NA	NA	39	95	116	79	128	201	131	182	308	203	228	438	284	284	592	381	349	768	501	470	966	628	664	1433	928			
15	NA	NA	NA	NA	NA	72	158	186	124	220	290	192	272	418	269	334	568	367	404	742	484	540	937	601	750	1399	894				
20	0	35	96	60	54	200	118	78	346	201	114	537	306	149	772	428	190	1053	573	238	1379	750	326	1751	927	473	2631	1346			
	2	37	74	50	56	148	99	78	248	165	113	375	248	144	528	344	182	708	468	227	914	611	309	1146	754	443	1689	1098			
	5	50	68	47	73	140	94	100	239	158	141	363	239	178	514	334	224	692	457	279	896	596	381	1126	734	547	1665	1074			
	10	NA	NA	41	93	129	86	125	223	146	177	344	224	222	491	316	277	666	437	339	866	570	457	1092	702	646	1626	1037			
15	NA	NA	NA	NA	NA	80	155	208	136	216	325	210	264	469	301	325	640	419	393	838	549	526	1060	677	730	1587	1005				
20	NA	NA	NA	NA	NA	NA	186	192	126	254	306	196	309	448	285	374	616	400	448	810	526	592	1028	651	808	1550	973				
30	0	34	99	63	53	211	127	76	372	219	110	584	334	144	849	472	184	1168	647	229	1542	852	312	1971	1056	454	2996	1545			
	2	37	80	56	55	164	111	76	281	183	109	429	279	139	610	392	175	823	533	219	1069	698	296	1346	863	424	1999	1308			
	5	49	74	52	72	157	106	98	271	173	136	417	271	171	595	382	215	806	521	269	1049	684	366	1324	846	524	1971	1283			
	10	NA	NA	NA	91	144	98	122	255	168	171	397	257	213	570	367	265	777	501	327	1017	662	440	1287	821	620	1927	1243			
15	NA	NA	NA	115	131	NA	151	239	157	208	377	242	255	547	349	312	750	481	379	985	638	507	1251	794	702	1884	1205				
20	NA	NA	NA	NA	NA	NA	181	223	NA	246	357	228	298	524	333	360	723	461	433	955	615	570	1216	768	780	1841	1166				
30	NA	NA	NA	NA	NA	NA	NA	NA	NA	NA	NA	NA	389	477	305	461	670	426	541	895	574	704	1147	720	937	1759	1101				
50	0	33	99	66	51	213	133	73	394	230	105	629	361	138	928	515	176	1292	704	220	1724	948	295	2223	1189	428	3432	1818			
	2	36	84	61	53	181	121	73	318	205	104	495	312	133	712	443	168	971	613	209	1273	811	280	1615	1007	401	2426	1509			
	5	48	80	NA	70	174	117	94	308	198	131	482	305	164	696	435	204	953	602	257	1252	795	347	1591	991	496	2396	1490			
	10	NA	NA	NA	89	160	NA	118	292	186	162	461	292	203	671	420	253	923	583	313	1217	765	418	1551	963	589	2347	1455			
15	NA	NA	NA	112	148	NA	145	275	174	199	441	280	244	646	405	299	894	562	363	1183	736	481	1512	934	668	2299	1421				
20	NA	NA	NA	NA	NA	NA	176	257	NA	236	420	267	285	622	389	345	866	543	415	1150	708	544	1473	906	741	2251	1387				
30	NA	NA	NA	NA	NA	NA	NA	NA	NA	315	376	NA	373	573	NA	442	809	502	521	1086	649	674	1399	848	892	2159	1318				
100	0	NA	NA	NA	49	214	NA	69	403	NA	100	659	395	131	991	555	166	1404	765	207	1900	1033	273	2479	1300	395	3912	2042			
	2	NA	NA	NA	51	192	NA	70	351	NA	98	563	373	125	828	508	158	1152	698	196	1532	933	259	1970	1168	371	3021	1817			
	5	NA	NA	NA	67	186	NA	90	342	NA	125	551	366	156	813	501	194	1134	688	240	1511	921	322	1945	1153	460	2990	1796			
	10	NA	NA	NA	85	175	NA	113	324	NA	153	532	354	191	789	486	238	1104	672	293	1477	902	389	1905	1133	547	2938	1763			
15	NA	NA	NA	132	162	NA	138	310	NA	188	511	343	230	764	473	281	1075	656	342	1443	884	447	1865	1110	618	2888	1730				
20	NA	NA	NA	NA	NA	NA	168	295	NA	224	487	NA	270	739	458	325	1046	639	391	1410	864	507	1825	1087	690	2838	1696				
30	NA	NA	NA	NA	NA	NA	231	264	NA	301	448	NA	355	685	NA	418	988	NA	491	1343	824	631	1747	1041	834	2739	1627				
50	NA	NA	NA	NA	NA	NA	NA	NA	NA	NA	NA	NA	540	584	NA	617	866	NA	711	1205	NA	895	1591	NA	1138	2547	1489				

For SI units, 1 in. = 25.4 mm, 1 ft = 0.305 m, 1000 Btu/hr = 0.293 kW, 1 in.<sup>2</sup> = 645 mm<sup>2</sup>.  
 NA: Not applicable.

**Table 13.1(c) Masonry Chimney**

		Number of Appliances: Single																													
		Appliance Type: Category I																													
		Appliance Vent Connection: Type B Double-Wall Connector																													
		Type B Double-Wall Connector Diameter — <i>D</i> (in.) To be used with chimney areas within the size limits at bottom																													
		3			4			5			6			7			8			9			10			12					
		Appliance Input Rating in Thousands of Btu per Hour																													
Height <i>H</i> (ft)	Lateral <i>L</i> (ft)	FAN		NAT	FAN		NAT	FAN		NAT	FAN		NAT	FAN		NAT	FAN		NAT	FAN		NAT	FAN		NAT	FAN		NAT	FAN		NAT
		Min	Max	Max	Min	Max	Max	Min	Max	Max	Min	Max	Max	Min	Max	Max	Min	Max	Max	Min	Max	Max	Min	Max	Max	Min	Max	Max	Min	Max	Max
6	2	NA	NA	28	NA	NA	52	NA	NA	86	NA	NA	130	NA	NA	180	NA	NA	247	NA	NA	320	NA	NA	401	NA	NA	581			
	5	NA	NA	25	NA	NA	49	NA	NA	82	NA	NA	117	NA	NA	165	NA	NA	231	NA	NA	298	NA	NA	376	NA	NA	561			
8	2	NA	NA	29	NA	NA	55	NA	NA	93	NA	NA	145	NA	NA	198	NA	NA	266	84	590	350	100	728	446	139	1024	651			
	5	NA	NA	26	NA	NA	52	NA	NA	88	NA	NA	134	NA	NA	183	NA	NA	247	NA	NA	328	146	791	466	201	1007	640			
	8	NA	NA	24	NA	NA	48	NA	NA	83	NA	NA	127	NA	NA	175	NA	NA	239	NA	NA	318	173	695	410	231	990	623			
10	2	NA	NA	31	NA	NA	61	NA	NA	103	NA	NA	162	NA	NA	221	68	519	298	82	655	388	98	810	491	136	1144	724			
	5	NA	NA	28	NA	NA	57	NA	NA	96	NA	NA	148	NA	NA	204	NA	NA	277	124	638	365	146	791	466	196	1124	712			
	10	NA	NA	25	NA	NA	50	NA	NA	87	NA	NA	139	NA	NA	191	NA	NA	263	155	610	347	182	762	444	240	1093	668			
15	2	NA	NA	35	NA	NA	67	NA	NA	114	NA	NA	179	53	475	250	64	613	336	77	779	441	92	968	562	127	1376	841			
	5	NA	NA	35	NA	NA	62	NA	NA	107	NA	NA	164	NA	NA	231	99	594	313	118	759	416	139	946	533	186	1352	828			
	10	NA	NA	28	NA	NA	55	NA	NA	97	NA	NA	153	NA	NA	216	126	565	296	148	727	394	173	912	567	229	1315	777			
20	15	NA	NA	NA	NA	NA	48	NA	NA	89	NA	NA	141	NA	NA	201	NA	NA	281	171	698	375	198	880	485	259	1280	742			
	2	NA	NA	38	NA	NA	74	NA	NA	124	NA	NA	201	51	522	274	61	678	375	73	867	491	87	1083	627	121	1548	953			
	5	NA	NA	36	NA	NA	68	NA	NA	116	NA	NA	184	80	503	254	95	658	350	113	845	463	133	1059	597	179	1523	933			
	10	NA	NA	NA	NA	NA	60	NA	NA	107	NA	NA	172	NA	NA	237	122	627	332	143	811	440	167	1022	566	221	1482	879			
30	15	NA	NA	NA	NA	NA	97	NA	NA	159	NA	NA	220	NA	NA	314	165	780	418	191	987	541	251	1443	840						
	20	NA	NA	NA	NA	NA	NA	NA	NA	83	NA	NA	148	NA	NA	206	NA	NA	296	186	750	397	214	955	513	277	1406	807			
	2	NA	NA	41	NA	NA	82	NA	NA	137	NA	NA	216	47	581	303	57	762	421	68	985	558	81	1240	717	111	1793	1112			
	5	NA	NA	NA	NA	NA	76	NA	NA	128	NA	NA	198	75	561	281	90	741	393	106	962	526	125	1216	683	169	1766	1094			
50	10	NA	NA	NA	NA	NA	67	NA	NA	115	NA	NA	184	NA	NA	263	115	709	373	135	927	500	158	1176	648	210	1721	1025			
	15	NA	NA	NA	NA	NA	NA	NA	NA	107	NA	NA	171	NA	NA	243	NA	NA	353	156	893	476	181	1139	621	239	1679	981			
	20	NA	NA	NA	NA	NA	NA	NA	NA	91	NA	NA	159	NA	NA	227	NA	NA	332	176	860	450	203	1103	592	264	1638	940			
	30	NA	NA	NA	NA	NA	NA	NA	NA	NA	NA	NA	NA	NA	NA	188	NA	NA	288	NA	NA	416	249	1035	555	318	1560	877			
Minimum internal area of chimney (in. <sup>2</sup> )	2	NA	NA	NA	NA	NA	92	NA	NA	161	NA	NA	251	NA	NA	351	51	840	477	61	1106	633	72	1413	812	99	2080	1243			
	5	NA	NA	NA	NA	NA	NA	NA	NA	151	NA	NA	230	NA	NA	323	83	819	445	98	1083	596	116	1387	774	155	2052	1225			
	10	NA	NA	NA	NA	NA	NA	NA	NA	138	NA	NA	215	NA	NA	304	NA	NA	424	126	1047	567	147	1347	733	195	2006	1147			
	15	NA	NA	NA	NA	NA	NA	NA	NA	127	NA	NA	199	NA	NA	282	NA	NA	400	146	1010	539	170	1307	702	222	1961	1099			
	30	NA	NA	NA	NA	NA	NA	NA	NA	NA	NA	NA	NA	NA	NA	264	NA	NA	376	165	977	511	190	1269	669	246	1916	1050			
Maximum internal area of chimney (in. <sup>2</sup> )	Seven times the listed appliance categorized vent area, flue collar area, or draft hood outlet areas.																														

For SI units, 1 in. = 25.4 mm, 1 ft = 0.305 m, 1000 Btu/hr = 0.293 kW, 1 in.<sup>2</sup> = 645 mm<sup>2</sup>.  
NA: Not applicable.

**Table 13.1(d) Masonry Chimney**

		Number of Appliances: Single																																			
		Appliance Type: Category I																																			
		Appliance Vent Connection: Single-Wall Metal Connector																																			
		Single-Wall Metal Connector Diameter — <i>D</i> (in.) To be used with chimney areas within the size limits at bottom																																			
		3			4			5			6			7			8			9			10			12											
		Appliance Input Rating in Thousands of Btu per Hour																																			
Height <i>H</i> (ft)	Lateral <i>L</i> (ft)	FAN			NAT			FAN			NAT			FAN			NAT			FAN			NAT			FAN			NAT			FAN			NAT		
		Min	Max	Max	Min	Max	Max	Min	Max	Max	Min	Max	Max	Min	Max	Max	Min	Max	Max	Min	Max	Max	Min	Max	Max	Min	Max	Max	Min	Max	Max	Min	Max	Max			
6	2	NA	NA	28	NA	NA	52	NA	NA	86	NA	NA	130	NA	NA	180	NA	NA	247	NA	NA	319	NA	NA	400	NA	NA	580	NA	NA	580	NA	NA	580			
	5	NA	NA	25	NA	NA	48	NA	NA	81	NA	NA	116	NA	NA	164	NA	NA	230	NA	NA	297	NA	NA	375	NA	NA	560	NA	NA	560	NA	NA	560			
8	2	NA	NA	29	NA	NA	55	NA	NA	93	NA	NA	145	NA	NA	197	NA	NA	265	NA	NA	349	382	725	445	549	1021	650	657	1121	638	673	1003	638			
	5	NA	NA	26	NA	NA	51	NA	NA	87	NA	NA	133	NA	NA	182	NA	NA	246	NA	NA	327	NA	NA	422	673	1003	638	673	1003	638	673	1003	638			
	8	NA	NA	23	NA	NA	47	NA	NA	82	NA	NA	126	NA	NA	174	NA	NA	237	NA	NA	317	NA	NA	408	747	985	621	747	985	621	747	985	621			
10	2	NA	NA	31	NA	NA	61	NA	NA	102	NA	NA	161	NA	NA	220	216	518	297	271	654	387	373	808	490	536	1142	722	536	1142	722	536	1142	722			
	5	NA	NA	28	NA	NA	56	NA	NA	95	NA	NA	147	NA	NA	203	NA	NA	276	334	635	364	459	789	465	657	1121	710	657	1121	710	657	1121	710			
	10	NA	NA	24	NA	NA	49	NA	NA	86	NA	NA	137	NA	NA	189	NA	NA	261	NA	NA	345	547	758	441	771	1088	665	771	1088	665	771	1088	665			
15	2	NA	NA	35	NA	NA	67	NA	NA	113	NA	NA	178	166	473	249	211	611	335	264	776	440	362	965	560	520	1373	840	520	1373	840	520	1373	840			
	5	NA	NA	32	NA	NA	61	NA	NA	106	NA	NA	163	NA	NA	230	261	591	312	325	755	414	444	942	531	637	1348	825	637	1348	825	637	1348	825			
	10	NA	NA	27	NA	NA	54	NA	NA	96	NA	NA	151	NA	NA	214	NA	NA	294	392	722	392	531	907	504	749	1309	774	749	1309	774	749	1309	774			
15	NA	NA	NA	NA	NA	46	NA	NA	87	NA	NA	138	NA	NA	198	NA	NA	278	452	692	372	606	873	481	841	1272	738	841	1272	738	841	1272	738				
	20	NA	NA	38	NA	NA	73	NA	NA	123	NA	NA	200	163	520	273	206	675	374	258	864	490	252	1079	625	508	1544	950	508	1544	950	508	1544	950			
	5	NA	NA	35	NA	NA	67	NA	NA	115	NA	NA	183	NA	NA	252	255	655	348	317	842	461	433	1055	594	623	1518	930	623	1518	930	623	1518	930			
20	10	NA	NA	NA	NA	NA	59	NA	NA	105	NA	NA	170	NA	NA	235	312	622	330	382	806	437	517	1016	562	733	1475	875	733	1475	875	733	1475	875			
	15	NA	NA	NA	NA	NA	NA	NA	NA	95	NA	NA	156	NA	NA	217	NA	NA	311	442	773	414	591	979	539	823	1434	835	823	1434	835	823	1434	835			
	20	NA	NA	NA	NA	NA	NA	NA	NA	80	NA	NA	144	NA	NA	202	NA	NA	292	NA	NA	392	663	944	510	911	1394	800	911	1394	800	911	1394	800			
30	2	NA	NA	41	NA	NA	81	NA	NA	136	NA	NA	215	158	578	302	200	759	420	249	982	556	340	1237	715	489	1789	1110	489	1789	1110	489	1789	1110			
	5	NA	NA	NA	NA	NA	75	NA	NA	127	NA	NA	196	NA	NA	279	245	737	391	306	958	524	417	1210	680	600	1760	1090	600	1760	1090	600	1760	1090			
	10	NA	NA	NA	NA	NA	66	NA	NA	113	NA	NA	182	NA	NA	260	300	703	370	370	920	496	500	1168	644	708	1713	1020	708	1713	1020	708	1713	1020			
	15	NA	NA	NA	NA	NA	NA	NA	NA	105	NA	NA	168	NA	NA	240	NA	NA	349	428	884	471	572	1128	615	798	1668	975	798	1668	975	798	1668	975			
	20	NA	NA	NA	NA	NA	NA	NA	NA	88	NA	NA	155	NA	NA	223	NA	NA	327	NA	NA	445	643	1089	585	883	1624	932	883	1624	932	883	1624	932			
50	30	NA	NA	NA	NA	NA	NA	NA	NA	NA	NA	NA	NA	NA	NA	182	NA	NA	281	NA	NA	408	NA	NA	544	1055	1539	865	1055	1539	865	1055	1539	865			
	2	NA	NA	NA	NA	NA	91	NA	NA	160	NA	NA	250	NA	NA	350	191	837	475	238	1103	631	323	1408	810	463	2076	1240	463	2076	1240	463	2076	1240			
	5	NA	NA	NA	NA	NA	NA	NA	NA	149	NA	NA	228	NA	NA	321	NA	NA	442	293	1078	593	398	1381	770	571	2044	1220	571	2044	1220	571	2044	1220			
	10	NA	NA	NA	NA	NA	NA	NA	NA	136	NA	NA	212	NA	NA	301	NA	NA	420	355	1038	562	447	1337	728	674	1994	1140	674	1994	1140	674	1994	1140			
	15	NA	NA	NA	NA	NA	NA	NA	NA	124	NA	NA	195	NA	NA	278	NA	NA	395	NA	NA	533	546	1294	695	761	1945	1090	761	1945	1090	761	1945	1090			
Minimum internal area of chimney (in. <sup>2</sup> )		12			19			28			38			50			63			78			95			132											
	Maximum internal area of chimney (in. <sup>2</sup> )	Seven times the listed appliance categorized vent area, flue collar area, or draft hood outlet areas.																																			

For SI units, 1 in. = 25.4 mm, 1 ft = 0.305 m, 1000 Btu/hr = 0.293 kW, 1 in.<sup>2</sup> = 645 mm<sup>2</sup>.  
NA: Not applicable.

**Table 13.1(e) Single-Wall Metal Pipe or Type B Asbestos Cement Vent**

		Number of Appliances: Single							
		Appliance Type: Draft Hood-Equipped							
		Appliance Vent Connection: Connected Directly to Pipe or Vent							
		Diameter — <i>D</i> (in.) To be used with chimney areas within the size limits at bottom							
Height <i>H</i> (ft)	Lateral <i>L</i> (ft)	3	4	5	6	7	8	10	12
		Appliance Input Rating in Thousands of Btu per Hour							
		Maximum Appliance Input Rating in Thousands of Btu per Hour							
6	0	39	70	116	170	232	312	500	750
	2	31	55	94	141	194	260	415	620
	5	28	51	88	128	177	242	390	600
8	0	42	76	126	185	252	340	542	815
	2	32	61	102	154	210	284	451	680
	5	29	56	95	141	194	264	430	648
	10	24	49	86	131	180	250	406	625
10	0	45	84	138	202	279	372	606	912
	2	35	67	111	168	233	311	505	760
	5	32	61	104	153	215	289	480	724
	10	27	54	94	143	200	274	455	700
	15	NA	46	84	130	186	258	432	666
15	0	49	91	151	223	312	420	684	1040
	2	39	72	122	186	260	350	570	865
	5	35	67	110	170	240	325	540	825
	10	30	58	103	158	223	308	514	795
	15	NA	50	93	144	207	291	488	760
	20	NA	NA	82	132	195	273	466	726
20	0	53	101	163	252	342	470	770	1190
	2	42	80	136	210	286	392	641	990
	5	38	74	123	192	264	364	610	945
	10	32	65	115	178	246	345	571	910
	15	NA	55	104	163	228	326	550	870
	20	NA	NA	91	149	214	306	525	832
30	0	56	108	183	276	384	529	878	1370
	2	44	84	148	230	320	441	730	1140
	5	NA	78	137	210	296	410	694	1080
	10	NA	68	125	196	274	388	656	1050
	15	NA	NA	113	177	258	366	625	1000
	20	NA	NA	99	163	240	344	596	960
	30	NA	NA	NA	NA	192	295	540	890
50	0	NA	120	210	310	443	590	980	1550
	2	NA	95	171	260	370	492	820	1290
	5	NA	NA	159	234	342	474	780	1230
	10	NA	NA	146	221	318	456	730	1190
	15	NA	NA	NA	200	292	407	705	1130
	20	NA	NA	NA	185	276	384	670	1080
	30	NA	NA	NA	NA	222	330	605	1010

For SI units, 1 in. = 25.4 mm, 1 ft = 0.305 m, 1000 Btu/hr = 0.293 kW, 1 in.<sup>2</sup> = 645 mm<sup>2</sup>.  
NA: Not applicable.

**Table 13.1(f) Exterior Masonry Chimney**

		Number of Appliances:		Single					
		Appliance Type:		NAT					
		Appliance Vent Connection:		Type B Double-Wall Connector					
SPECIAL USE: Minimum Allowable Input Rating of Space-Heating Appliance in Thousands of Btu per Hour									
Vent Height <i>H</i> (ft)	Internal Area of Chimney (in. <sup>2</sup> )								
	12	19	28	38	50	63	78	113	
Local 99% winter design temperature: 37°F or greater									
6	0	0	0	0	0	0	0	0	
8	0	0	0	0	0	0	0	0	
10	0	0	0	0	0	0	0	0	
15	NA	0	0	0	0	0	0	0	
20	NA	NA	123	190	249	184	0	0	
30	NA	NA	NA	NA	NA	393	334	0	
50	NA	NA	NA	NA	NA	NA	NA	579	
Local 99% winter design temperature: 27°F to 36°F									
6	0	0	68	116	156	180	212	266	
8	0	0	82	127	167	187	214	263	
10	0	51	97	141	183	201	225	265	
15	NA	NA	NA	NA	233	253	274	305	
20	NA	NA	NA	NA	NA	307	330	362	
30	NA	NA	NA	NA	NA	419	445	485	
50	NA	NA	NA	NA	NA	NA	NA	763	
Local 99% winter design temperature: 17°F to 26°F									
6	NA	NA	NA	NA	NA	215	259	349	
8	NA	NA	NA	NA	197	226	264	352	
10	NA	NA	NA	NA	214	245	278	358	
15	NA	NA	NA	NA	NA	296	331	398	
20	NA	NA	NA	NA	NA	352	387	457	
30	NA	NA	NA	NA	NA	NA	507	581	
50	NA	NA	NA	NA	NA	NA	NA	NA	
Local 99% winter design temperature: 5°F to 16°F									
6	NA	NA	NA	NA	NA	NA	NA	416	
8	NA	NA	NA	NA	NA	NA	312	423	
10	NA	NA	NA	NA	NA	289	331	430	
15	NA	NA	NA	NA	NA	NA	393	485	
20	NA	NA	NA	NA	NA	NA	450	547	
30	NA	NA	NA	NA	NA	NA	NA	682	
50	NA	NA	NA	NA	NA	NA	NA	972	
Local 99% winter design temperature: -10°F to 4°F									
6	NA	NA	NA	NA	NA	NA	NA	484	
8	NA	NA	NA	NA	NA	NA	NA	494	
10	NA	NA	NA	NA	NA	NA	NA	513	
15	NA	NA	NA	NA	NA	NA	NA	586	
20	NA	NA	NA	NA	NA	NA	NA	650	
30	NA	NA	NA	NA	NA	NA	NA	805	
50	NA	NA	NA	NA	NA	NA	NA	1003	
Local 99% winter design temperature: -11°F or lower Not recommended for any vent configurations									

For SI units, 1 in. = 25.4 mm, 1 in.<sup>2</sup> = 645 mm<sup>2</sup>, 1 ft = 0.305 m, 1000 Btu/hr = 0.293 kW, °C = (°F - 32)/1.8.

Note: See Figure G.2.4 for a map showing local 99 percent winter design temperatures in the United States.

NA: Not applicable.





**13.1.10 Draft Hood Conversion Accessories.** Draft hood conversion accessories for use with masonry chimneys venting listed Category I fan-assisted appliances shall be listed and installed in accordance with the listed accessory manufacturers' installation instructions.

**13.1.11 Chimneys and Vent Locations.** Table 13.1(a) through Table 13.1(d) shall be used only for chimneys and vents not exposed to the outdoors below the roof line. A Type B vent or listed chimney lining system passing through an unused masonry chimney flue shall not be considered to be exposed to the outdoors. A Type B vent passing through an unventilated enclosure or chase insulated to a value of not less than R8 shall not be considered to be exposed to the outdoors. Table 13.1(b) in combination with Table 13.1(e) shall be used for clay tile lined exterior masonry chimneys, provided all of the following requirements are met:

- (1) The vent connector is Type B double wall.
- (2) The vent connector length is limited to 18 in./in. (18 mm/mm) of vent connector diameter.
- (3) The appliance is draft hood equipped.
- (4) The input rating is less than the maximum capacity given in Table 13.1(b).
- (5) For a water heater, the outdoor design temperature shall not be less than 5°F (-15°C).
- (6) For a space-heating appliance, the input rating is greater than the minimum capacity given by Table 13.1(e).

**13.1.12 Corrugated Vent Connector Size.** Corrugated vent connectors shall not be smaller than the listed appliance categorized vent diameter, flue collar diameter, or draft hood outlet diameter.

**13.1.13 Upsizing.** Vent connectors shall not be upsized more than two sizes greater than the listed appliance categorized vent diameter, flue collar diameter, or draft hood outlet diameter.

**13.1.14 Multiple Vertical Vent Sizes.** In a single run of vent or vent connector, more than one diameter and type shall be permitted to be used, provided that all the sizes and types are permitted by the tables.

**13.1.15 Interpolation.** Interpolation shall be permitted in calculating capacities for vent dimensions that fall between table entries. (See Example 3, Annex G.)

**13.1.16 Extrapolation.** Extrapolation beyond the table entries shall not be permitted.

**13.1.17 Sizing Vents Not Covered by Tables.** For vent heights lower than 6 ft (1.8 m) and higher than shown in the Chapter 13 tables, engineering methods shall be used to calculate vent capacities.

## 13.2 Additional Requirements to Multiple-Appliance Vent.

**13.2.1 Obstructions and Vent Dampers.** Venting Table 13.2(a) through Table 13.2(i) shall not be used where obstructions (see

Section 12.16) are installed in the venting system. The installation of vents serving listed appliances with vent dampers shall be in accordance with the appliance manufacturer's instructions, or in accordance with the following:

- (1) The maximum capacity of the vent connector shall be determined using the NAT Max column.
- (2) The maximum capacity of the vertical vent or chimney shall be determined using the FAN+NAT column when the second appliance is a fan-assisted appliance, or the NAT+NAT column when the second appliance is equipped with a draft hood.
- (3) The minimum capacity shall be determined as if the appliance were a fan-assisted appliance, as follows:
  - (a) The minimum capacity of the vent connector shall be determined using the FAN Min column.
  - (b) The FAN+FAN column shall be used when the second appliance is a fan-assisted appliance, and the FAN+NAT column shall be used when the second appliance is equipped with a draft hood, to determine whether the vertical vent or chimney configuration is not permitted (NA). Where the vent configuration is NA, the vent configuration shall not be permitted and an alternative venting configuration shall be utilized.

**13.2.2 Vent Connector Maximum Length.** The maximum vent connector horizontal length shall be 18 in./in. (18 mm/mm) of connector diameter as shown in Table 13.2.2.

**Table 13.2.2 Vent Connector Maximum Length**

Connector Diameter Maximum (in.)	Connector Horizontal Length (ft)
3	4½
4	6
5	7½
6	9
7	10½
8	12
9	13½
10	15
12	18
14	21
16	24
18	27
20	30
22	33
24	36

For SI units, 1 in. = 25.4 mm, 1 ft = 0.305 m.

**Table 13.2(a) Type B Double-Wall Vent**

		<b>Number of Appliances:</b>	<b>Two or More</b>
		<b>Appliance Type:</b>	<b>Category I</b>
		<b>Appliance Vent Connection:</b>	<b>Type B Double-Wall Connector</b>

**Vent Connector Capacity**

Vent Height <i>H</i> (ft)		Connector Rise <i>R</i> (ft)		Type B Double-Wall Vent and Connector Diameter — <i>D</i> (in.)																															
				3			4			5			6			7			8			9			10										
				Appliance Input Rating Limits in Thousands of Btu per Hour																															
				FAN			NAT			FAN			NAT			FAN			NAT			FAN			NAT			FAN			NAT			FAN	
Min			Max			Min			Max			Min			Max			Min			Max			Min			Max			Min			Max		
6	1	22	37	26	35	66	46	46	106	72	58	164	104	77	225	142	92	296	185	109	376	237	128	466	289										
	2	23	41	31	37	75	55	48	121	86	60	183	124	79	253	168	95	333	220	112	424	282	131	526	345										
	3	24	44	35	38	81	62	49	132	96	62	199	139	82	275	189	97	363	248	114	463	317	134	575	386										
8	1	22	40	27	35	72	48	49	114	76	64	176	109	84	243	148	100	320	194	118	408	248	138	507	303										
	2	23	44	32	36	80	57	51	128	90	66	195	129	86	269	175	103	356	230	121	454	294	141	564	358										
	3	24	47	36	37	87	64	53	139	101	67	210	145	88	290	198	105	384	258	123	492	330	143	612	402										
10	1	22	43	28	34	78	50	49	123	78	65	189	113	89	257	154	106	341	200	125	436	257	146	542	314										
	2	23	47	33	36	86	59	51	136	93	67	206	134	91	282	182	109	374	238	128	479	305	149	596	372										
	3	24	50	37	37	92	67	52	146	104	69	220	150	94	303	205	111	402	268	131	515	342	152	642	417										
15	1	21	50	30	33	89	53	47	142	83	64	220	120	88	298	163	110	389	214	134	493	273	162	609	333										
	2	22	53	35	35	96	63	49	153	99	66	235	142	91	320	193	112	419	253	137	532	323	165	658	394										
	3	24	55	40	36	102	71	51	163	111	68	248	160	93	339	218	115	445	286	140	565	365	167	700	444										
20	1	21	54	31	33	99	56	46	157	87	62	246	125	86	334	171	107	436	224	131	552	285	158	681	347										
	2	22	57	37	34	105	66	48	167	104	64	259	149	89	354	202	110	463	265	134	587	339	161	725	414										
	3	23	60	42	35	110	74	50	176	116	66	271	168	91	371	228	113	486	300	137	618	383	164	764	466										
30	1	20	62	33	31	113	59	45	181	93	60	288	134	83	391	182	103	512	238	125	649	305	151	802	372										
	2	21	64	39	33	118	70	47	190	110	62	299	158	85	408	215	105	535	282	129	679	360	155	840	439										
	3	22	66	44	34	123	79	48	198	124	64	309	178	88	423	242	108	555	317	132	706	405	158	874	494										
50	1	19	71	36	30	133	64	43	216	101	57	349	145	78	477	197	97	627	257	120	797	330	144	984	403										
	2	21	73	43	32	137	76	45	223	119	59	358	172	81	490	234	100	645	306	123	820	392	148	1014	478										
	3	22	75	48	33	141	86	46	229	134	61	366	194	83	502	263	103	661	343	126	842	441	151	1043	538										
100	1	18	82	37	28	158	66	40	262	104	53	442	150	73	611	204	91	810	266	112	1038	341	135	1285	417										
	2	19	83	44	30	161	79	42	267	123	55	447	178	75	619	242	94	822	316	115	1054	405	139	1306	494										
	3	20	84	50	31	163	89	44	272	138	57	452	200	78	627	272	97	834	355	118	1069	455	142	1327	555										

**Common Vent Capacity**

Vent Height <i>H</i> (ft)		Type B Double-Wall Common Vent Diameter — <i>D</i> (in.)																											
		4			5			6			7			8			9			10									
		Combined Appliance Input Rating in Thousands of Btu per Hour																											
		FAN +FAN			FAN +NAT			NAT +NAT			FAN +FAN			FAN +NAT			NAT +NAT			FAN +FAN			FAN +NAT			NAT +NAT			
Min			Max			Min			Max			Min			Max			Min			Max			Min			Max		
6	92	81	65	140	116	103	204	161	147	309	248	200	404	314	260	547	434	335	672	520	410								
8	101	90	73	155	129	114	224	178	163	339	275	223	444	348	290	602	480	378	740	577	465								
10	110	97	79	169	141	124	243	194	178	367	299	242	477	377	315	649	522	405	800	627	495								
15	125	112	91	195	164	144	283	228	206	427	352	280	556	444	365	753	612	465	924	733	565								
20	136	123	102	215	183	160	314	255	229	475	394	310	621	499	405	842	688	523	1035	826	640								
30	152	138	118	244	210	185	361	297	266	547	459	360	720	585	470	979	808	605	1209	975	740								
50	167	153	134	279	244	214	421	353	310	641	547	423	854	706	550	1164	977	705	1451	1188	860								
100	175	163	NA	311	277	NA	489	421	NA	751	658	479	1025	873	625	1408	1215	800	1784	1502	975								

Table 13.2(a) Continued

		Number of Appliances: Two or More																				
		Appliance Type: Category I																				
		Appliance Vent Connection: Type B Double-Wall Connector																				
		Type B Double-Wall Vent and Connector Diameter — <i>D</i> (in.)																				
		12			14			16			18			20			22			24		
		Appliance Input Rating Limits in Thousands of Btu per Hour																				
Vent Height <i>H</i> (ft)	Connector Rise <i>R</i> (ft)	FAN		NAT	FAN		NAT	FAN		NAT	FAN		NAT	FAN		NAT	FAN		NAT	FAN		NAT
		Min	Max	Max	Min	Max	Max	Min	Max	Max	Min	Max	Max	Min	Max	Max	Min	Max	Max	Min	Max	Max
		6	2	174	764	496	223	1046	653	281	1371	853	346	1772	1080	NA	NA	NA	NA	NA	NA	NA
	4	180	897	616	230	1231	827	287	1617	1081	352	2069	1370	NA	NA	NA	NA	NA	NA	NA	NA	NA
	6	NA	NA	NA	NA	NA	NA	NA	NA	NA	NA	NA	NA	NA	NA	NA	NA	NA	NA	NA	NA	NA
8	2	186	822	516	238	1126	696	298	1478	910	365	1920	1150	NA	NA	NA	NA	NA	NA	NA	NA	NA
	4	192	952	644	244	1307	884	305	1719	1150	372	2211	1460	471	2737	1800	560	3319	2180	662	3957	2590
	6	198	1050	772	252	1445	1072	313	1902	1390	380	2434	1770	478	3018	2180	568	3665	2640	669	4373	3130
10	2	196	870	536	249	1195	730	311	1570	955	379	2049	1205	NA	NA	NA	NA	NA	NA	NA	NA	NA
	4	201	997	664	256	1371	924	318	1804	1205	387	2332	1535	486	2887	1890	581	3502	2280	686	4175	2710
	6	207	1095	792	263	1509	1118	325	1989	1455	395	2556	1865	494	3169	2290	589	3849	2760	694	4593	3270
15	2	214	967	568	272	1334	790	336	1760	1030	408	2317	1305	NA	NA	NA	NA	NA	NA	NA	NA	NA
	4	221	1085	712	279	1499	1006	344	1978	1320	416	2579	1665	523	3197	2060	624	3881	2490	734	4631	2960
	6	228	1181	856	286	1632	1222	351	2157	1610	424	2796	2025	533	3470	2510	634	4216	3030	743	5035	3600
20	2	223	1051	596	291	1443	840	357	1911	1095	430	2533	1385	NA	NA	NA	NA	NA	NA	NA	NA	NA
	4	230	1162	748	298	1597	1064	365	2116	1395	438	2778	1765	554	3447	2180	661	4190	2630	772	5005	3130
	6	237	1253	900	307	1726	1288	373	2287	1695	450	2984	2145	567	3708	2650	671	4511	3190	785	5392	3790
30	2	216	1217	632	286	1664	910	367	2183	1190	461	2891	1540	NA	NA	NA	NA	NA	NA	NA	NA	NA
	4	223	1316	792	294	1802	1160	376	2366	1510	474	3110	1920	619	3840	2365	728	4861	2860	847	5606	3410
	6	231	1400	952	303	1920	1410	384	2524	1830	485	3299	2340	632	4080	2875	741	4976	3480	860	5961	4150
50	2	206	1479	689	273	2023	1007	350	2659	1315	435	3548	1665	NA	NA	NA	NA	NA	NA	NA	NA	NA
	4	213	1561	860	281	2139	1291	359	2814	1685	447	3730	2135	580	4601	2633	709	5569	3185	851	6633	3790
	6	221	1631	1031	290	2242	1575	369	2951	2055	461	3893	2605	594	4808	3208	724	5826	3885	867	6943	4620
100	2	192	1923	712	254	2644	1050	326	3490	1370	402	4707	1740	NA	NA	NA	NA	NA	NA	NA	NA	NA
	4	200	1984	888	263	2731	1346	336	3606	1760	414	4842	2220	523	5982	2750	639	7254	3330	769	8650	3950
	6	208	2035	1064	272	2811	1642	346	3714	2150	426	4968	2700	539	6143	3350	654	7453	4070	786	8892	4810

Common Vent Capacity

		Type B Double-Wall Common Vent Diameter — <i>D</i> (in.)																				
		12			14			16			18			20			22			24		
		Combined Appliance Input Rating in Thousands of Btu per Hour																				
Vent Height <i>H</i> (ft)		FAN	FAN	NAT	FAN	FAN	NAT	FAN	FAN	NAT	FAN	FAN	NAT	FAN	FAN	NAT	FAN	FAN	NAT	FAN	FAN	NAT
		+FAN	+NAT	+NAT	+FAN	+NAT	+NAT	+FAN	+NAT	+NAT	+FAN	+NAT	+NAT	+FAN	+NAT	+NAT	+FAN	+NAT	+NAT	+FAN	+NAT	+NAT
6	900	696	588	1284	990	815	1735	1336	1065	2253	1732	1345	2838	2180	1660	3488	2677	1970	4206	3226	2390	
8	994	773	652	1423	1103	912	1927	1491	1190	2507	1936	1510	3162	2439	1860	3890	2998	2200	4695	3616	2680	
10	1076	841	712	1542	1200	995	2093	1625	1300	2727	2113	1645	3444	2665	2030	4241	3278	2400	5123	3957	2920	
15	1247	986	825	1794	1410	1158	2440	1910	1510	3184	2484	1910	4026	3133	2360	4971	3862	2790	6016	4670	3400	
20	1405	1116	916	2006	1588	1290	2722	2147	1690	3561	2798	2140	4548	3552	2640	5573	4352	3120	6749	5261	3800	
30	1658	1327	1025	2373	1892	1525	3220	2558	1990	4197	3326	2520	5303	4193	3110	6539	5157	3680	7940	6247	4480	
50	2024	1640	1280	2911	2347	1863	3964	3183	2430	5184	4149	3075	6567	5240	3800	8116	6458	4500	9837	7813	5475	
100	2569	2131	1670	3732	3076	2450	5125	4202	3200	6749	5509	4050	8597	6986	5000	10,681	8648	5920	13,004	10,499	7200	

For SI units, 1 in. = 25.4 mm, 1 in.<sup>2</sup> = 645 mm<sup>2</sup>, 1 ft = 0.305 m, 1000 Btu/hr = 0.293 kW.

**Table 13.2(b) Type B Double-Wall Vent**

		<b>Number of Appliances:</b>	<b>Two or More</b>
		<b>Appliance Type:</b>	<b>Category I</b>
		<b>Appliance Vent Connection:</b>	<b>Single-Wall Metal Connector</b>

**Vent Connector Capacity**

Vent Height <i>H</i> (ft)		Connector Rise <i>R</i> (ft)		Single-Wall Metal Vent Connector Diameter — <i>D</i> (in.)																																	
				3			4			5			6			7			8			9			10												
				Appliance Input Rating Limits in Thousands of Btu per Hour																																	
		FAN			NAT			FAN			NAT			FAN			NAT			FAN			NAT			FAN			NAT			FAN			NAT		
		Min	Max	Max	Min	Max	Max	Min	Max	Max	Min	Max	Max	Min	Max	Max	Min	Max	Max	Min	Max	Max	Min	Max	Max	Min	Max	Max	Min	Max	Max	Min	Max	Max			
6	1	NA	NA	26	NA	NA	46	NA	NA	71	NA	NA	102	207	223	140	262	293	183	325	373	234	447	463	286												
	2	NA	NA	31	NA	NA	55	NA	NA	85	168	182	123	215	251	167	271	331	219	334	422	281	458	524	344												
	3	NA	NA	34	NA	NA	62	121	131	95	175	198	138	222	273	188	279	361	247	344	462	316	468	574	385												
8	1	NA	NA	27	NA	NA	48	NA	NA	75	NA	NA	106	226	240	145	285	316	191	352	403	244	481	502	299												
	2	NA	NA	32	NA	NA	57	125	126	89	184	193	127	234	266	173	293	353	228	360	450	292	492	560	355												
	3	NA	NA	35	NA	NA	64	130	138	100	191	208	144	241	287	197	302	381	256	370	489	328	501	609	400												
10	1	NA	NA	28	NA	NA	50	119	121	77	182	186	110	240	253	150	302	335	196	372	429	252	506	534	308												
	2	NA	NA	33	84	85	59	124	134	91	189	203	132	248	278	183	311	369	235	381	473	302	517	589	368												
	3	NA	NA	36	89	91	67	129	144	102	197	217	148	257	299	203	320	398	265	391	511	339	528	637	413												
15	1	NA	NA	29	79	87	52	116	138	81	177	214	116	238	291	158	312	380	208	397	482	266	556	596	324												
	2	NA	NA	34	83	94	62	121	150	97	185	230	138	246	314	189	321	411	248	407	522	317	568	646	387												
	3	NA	NA	39	87	100	70	127	160	109	193	243	157	255	333	215	331	438	281	418	557	360	579	690	437												
20	1	49	56	30	78	97	54	115	152	84	175	238	120	233	325	165	306	425	217	390	538	276	546	664	336												
	2	52	59	36	82	103	64	120	163	101	182	252	144	243	346	197	317	453	259	400	574	331	558	709	403												
	3	55	62	40	87	107	72	125	172	113	190	264	164	252	363	223	326	476	294	412	607	375	570	750	457												
30	1	47	60	31	77	110	57	112	175	89	169	278	129	226	380	175	296	497	230	378	630	294	528	779	358												
	2	51	62	37	81	115	67	117	185	106	177	290	152	236	397	208	307	521	274	389	662	349	541	819	425												
	3	54	64	42	85	119	76	122	193	120	185	300	172	244	412	235	316	542	309	400	690	394	555	855	482												
50	1	46	69	34	75	128	60	109	207	96	162	336	137	217	460	188	284	604	245	364	768	314	507	951	384												
	2	49	71	40	79	132	72	114	215	113	170	345	164	226	473	223	294	623	293	376	793	375	520	983	458												
	3	52	72	45	83	136	82	119	221	123	178	353	186	235	486	252	304	640	331	387	816	423	535	1013	518												
100	1	45	79	34	71	150	61	104	249	98	153	424	140	205	585	192	269	774	249	345	993	321	476	1236	393												
	2	48	80	41	75	153	73	110	255	115	160	428	167	212	593	228	279	788	299	358	1011	383	490	1259	469												
	3	51	81	46	79	157	85	114	260	129	168	433	190	222	603	256	289	801	339	368	1027	431	506	1280	527												

**Common Vent Capacity**

Vent Height <i>H</i> (ft)		Type B Double-Wall Vent Diameter — <i>D</i> (in.)																				
		4			5			6			7			8			9			10		
		Combined Appliance Input Rating in Thousands of Btu per Hour																				
		FAN +FAN	FAN +NAT	NAT +NAT	FAN +FAN	FAN +NAT	NAT +NAT	FAN +FAN	FAN +NAT	NAT +NAT	FAN +FAN	FAN +NAT	NAT +NAT	FAN +FAN	FAN +NAT	NAT +NAT	FAN +FAN	FAN +NAT	NAT +NAT	FAN +FAN	FAN +NAT	NAT +NAT
6	NA	78	64	NA	113	99	200	158	144	304	244	196	398	310	257	541	429	332	665	515	407	
8	NA	87	71	NA	126	111	218	173	159	331	269	218	436	342	285	592	473	373	730	569	460	
10	NA	94	76	163	137	120	237	189	174	357	292	236	467	369	309	638	512	398	787	617	487	
15	121	108	88	189	159	140	275	221	200	416	343	274	544	434	357	738	599	456	905	718	553	
20	131	118	98	208	177	156	305	247	223	463	383	302	606	487	395	824	673	512	1013	808	626	
30	145	132	113	236	202	180	350	286	257	533	446	349	703	570	459	958	790	593	1183	952	723	
50	159	145	128	268	233	208	406	337	296	622	529	410	833	686	535	1139	954	689	1418	1157	838	
100	166	153	NA	297	263	NA	469	398	NA	726	633	464	999	846	606	1378	1185	780	1741	1459	948	

For SI units, 1 in. = 25.4 mm, 1 in.<sup>2</sup> = 645 mm<sup>2</sup>, 1 ft = 0.305 m, 1000 Btu/hr = 0.293 kW.

**Table 13.2(c) Masonry Chimney**

		Number of Appliances:			Two or More																										
		Appliance Type:			Category I																										
		Appliance Vent Connection:			Type B Double-Wall Connector																										
<b>Vent Connector Capacity</b>																															
		Type B Double-Wall Vent Connector Diameter — <i>D</i> (in.)																													
		3			4			5			6			7			8			9			10								
		Appliance Input Rating Limits in Thousands of Btu per Hour																													
Vent Height <i>H</i> (ft)	Connector Rise <i>R</i> (ft)	FAN			NAT			FAN			NAT			FAN			NAT			FAN			NAT			FAN			NAT		
		Min		Max	Min		Max	Min		Max	Min		Max	Min		Max	Min		Max	Min		Max	Min		Max	Min		Max			
6	1	24	33	21	39	62	40	52	106	67	65	194	101	87	274	141	104	370	201	124	479	253	145	599	319						
	2	26	43	28	41	79	52	53	133	85	67	230	124	89	324	173	107	436	232	127	562	300	148	694	378						
	3	27	49	34	42	92	61	55	155	97	69	262	143	91	369	203	109	491	270	129	633	349	151	795	439						
8	1	24	39	22	39	72	41	55	117	69	71	213	105	94	304	148	113	414	210	134	539	267	156	682	335						
	2	26	47	29	40	87	53	57	140	86	73	246	127	97	350	179	116	473	240	137	615	311	160	776	394						
	3	27	52	34	42	97	62	59	159	98	75	269	145	99	383	206	119	517	276	139	672	358	163	848	452						
10	1	24	42	22	38	80	42	55	130	71	74	232	108	101	324	153	120	444	216	142	582	277	165	739	348						
	2	26	50	29	40	93	54	57	153	87	76	261	129	103	366	184	123	498	247	145	652	321	168	825	407						
	3	27	55	35	41	105	63	58	170	100	78	284	148	106	397	209	126	540	281	147	705	366	171	893	463						
15	1	24	48	23	38	93	44	54	154	74	72	277	114	100	384	164	125	511	229	153	658	297	184	824	375						
	2	25	55	31	39	105	55	56	174	89	74	299	134	103	419	192	128	558	260	156	718	339	187	900	432						
	3	26	59	35	41	115	64	57	189	102	76	319	153	105	448	215	131	597	292	159	760	382	190	960	486						
20	1	24	52	24	37	102	46	53	172	77	71	313	119	98	437	173	123	584	239	150	752	312	180	943	397						
	2	25	58	31	39	114	56	55	190	91	73	335	138	101	467	199	126	625	270	153	805	354	184	1011	452						
	3	26	63	35	40	123	65	57	204	104	75	353	157	104	493	222	129	661	301	156	851	396	187	1067	505						
30	1	24	54	25	37	111	48	52	192	82	69	357	127	96	504	187	119	680	255	145	883	337	175	1115	432						
	2	25	60	32	38	122	58	54	208	95	72	376	145	99	531	209	122	715	287	149	928	378	179	1171	484						
	3	26	64	36	40	131	66	56	221	107	74	392	163	101	554	233	125	746	317	152	968	418	182	1220	535						
50	1	23	51	25	36	116	51	51	209	89	67	405	143	92	582	213	115	798	294	140	1049	392	168	1334	506						
	2	24	59	32	37	127	61	53	225	102	70	421	161	95	604	235	118	827	326	143	1085	433	172	1379	558						
	3	26	64	36	39	135	69	55	237	115	72	435	180	98	624	260	121	854	357	147	1118	474	176	1421	611						
100	1	23	46	24	35	108	50	49	208	92	65	428	155	88	640	237	109	907	334	134	1222	454	161	1589	596						
	2	24	53	31	37	120	60	51	224	105	67	444	174	92	660	260	113	933	368	138	1253	497	165	1626	651						
	3	25	59	35	38	130	68	53	237	118	69	458	193	94	679	285	116	956	399	141	1282	540	169	1661	705						

**Common Vent Capacity**

		Minimum Internal Area of Masonry Chimney Flue (in. <sup>2</sup> )																							
		12			19			28			38			50			63			78			113		
		Combined Appliance Input Rating in Thousands of Btu per Hour																							
Vent Height <i>H</i> (ft)		FAN	FAN	NAT	FAN	FAN	NAT	FAN	FAN	NAT	FAN	FAN	NAT	FAN	FAN	NAT	FAN	FAN	NAT	FAN	FAN	NAT	FAN	FAN	NAT
		+FAN	+NAT	+NAT	+FAN	+NAT	+NAT	+FAN	+NAT	+NAT	+FAN	+NAT	+NAT	+FAN	+NAT	+NAT	+FAN	+NAT	+NAT	+FAN	+NAT	+NAT	+FAN	+FAN	+NAT
6	NA	74	25	NA	119	46	NA	178	71	NA	257	103	NA	351	143	NA	458	188	NA	582	246	1041	853	NA	
8	NA	80	28	NA	130	53	NA	193	82	NA	279	119	NA	384	163	NA	501	218	724	636	278	1144	937	408	
10	NA	84	31	NA	138	56	NA	207	90	NA	299	131	NA	409	177	606	538	236	776	686	302	1226	1010	454	
15	NA	NA	36	NA	152	67	NA	233	106	NA	334	152	523	467	212	682	611	283	874	781	365	1374	1156	546	
20	NA	NA	41	NA	NA	75	NA	250	122	NA	368	172	565	508	243	742	668	325	955	858	419	1513	1286	648	
30	NA	NA	NA	NA	NA	NA	NA	270	137	NA	404	198	615	564	278	816	747	381	1062	969	496	1702	1473	749	
50	NA	NA	NA	NA	NA	NA	NA	NA	NA	NA	NA	NA	NA	620	328	879	831	461	1165	1089	606	1905	1692	922	
100	NA	NA	NA	NA	NA	NA	NA	NA	NA	NA	NA	NA	NA	NA	348	NA	NA	499	NA	NA	669	2053	1921	1058	



**Table 13.2(d) Masonry Chimney**

	<b>Number of Appliances:</b>	<b>Two or More</b>
	<b>Appliance Type:</b>	<b>Category I</b>
	<b>Appliance Vent Connection:</b>	<b>Single-Wall Metal Connector</b>

**Vent Connector Capacity**

Vent Height <i>H</i> (ft)		Connector Rise <i>R</i> (ft)		Single-Wall Metal Vent Connector Diameter — <i>D</i> (in.)																																	
				3			4			5			6			7			8			9			10												
				Appliance Input Rating Limits in Thousands of Btu per Hour																																	
		FAN			NAT			FAN			NAT			FAN			NAT			FAN			NAT			FAN			NAT			FAN			NAT		
		Min	Max	Max	Min	Max	Max	Min	Max	Max	Min	Max	Max	Min	Max	Max	Min	Max	Max	Min	Max	Max	Min	Max	Max	Min	Max	Max	Min	Max	Max						
6	1	NA	NA	21	NA	NA	39	NA	NA	66	179	191	100	231	271	140	292	366	200	362	474	252	499	594	316												
	2	NA	NA	28	NA	NA	52	NA	NA	84	186	227	123	239	321	172	301	432	231	373	557	299	509	696	376												
	3	NA	NA	34	NA	NA	61	134	153	97	193	258	142	247	365	202	309	491	269	381	634	348	519	793	437												
8	1	NA	NA	21	NA	NA	40	NA	NA	68	195	208	103	250	298	146	313	407	207	387	530	263	529	672	331												
	2	NA	NA	28	NA	NA	52	137	139	85	202	240	125	258	343	177	323	465	238	397	607	309	540	766	391												
	3	NA	NA	34	NA	NA	62	143	156	98	210	264	145	266	376	205	332	509	274	407	663	356	551	838	450												
10	1	NA	NA	22	NA	NA	41	130	151	70	202	225	106	267	316	151	333	434	213	410	571	273	558	727	343												
	2	NA	NA	29	NA	NA	53	136	150	86	210	255	128	276	358	181	343	489	244	420	640	317	569	813	403												
	3	NA	NA	34	97	102	62	143	166	99	217	277	147	284	389	207	352	530	279	430	694	363	580	880	459												
15	1	NA	NA	23	NA	NA	43	129	151	73	199	271	112	268	376	161	349	502	225	445	646	291	623	808	366												
	2	NA	NA	30	92	103	54	135	170	88	207	295	132	277	411	189	359	548	256	456	706	334	634	884	424												
	3	NA	NA	34	96	112	63	141	185	101	215	315	151	286	439	213	368	586	289	466	755	378	646	945	479												
20	1	NA	NA	23	87	99	45	128	167	76	197	303	117	265	425	169	345	569	235	439	734	306	614	921	387												
	2	NA	NA	30	91	111	55	134	185	90	205	325	136	274	455	195	355	610	266	450	787	348	627	986	443												
	3	NA	NA	35	96	119	64	140	199	103	213	343	154	282	481	219	365	644	298	461	831	391	639	1042	496												
30	1	NA	NA	24	86	108	47	126	187	80	193	347	124	259	492	183	338	665	250	430	864	330	600	1089	421												
	2	NA	NA	31	91	119	57	132	203	93	201	366	142	269	518	205	348	699	282	442	908	372	613	1145	473												
	3	NA	NA	35	95	127	65	138	216	105	209	381	160	277	540	229	358	729	312	452	946	412	626	1193	524												
50	1	NA	NA	24	85	113	50	124	204	87	188	392	139	252	567	208	328	778	287	417	1022	383	582	1302	492												
	2	NA	NA	31	89	123	60	130	218	100	196	408	158	262	588	230	339	806	320	429	1058	425	596	1346	545												
	3	NA	NA	35	94	131	68	136	231	112	205	422	176	271	607	255	349	831	351	440	1090	466	610	1386	597												
100	1	NA	NA	23	84	104	49	122	200	89	182	410	151	243	617	232	315	875	328	402	1181	444	560	1537	580												
	2	NA	NA	30	88	115	59	127	215	102	190	425	169	253	636	254	326	899	361	415	1210	488	575	1570	634												
	3	NA	NA	34	93	124	67	133	228	115	199	438	188	262	654	279	337	921	392	427	1238	529	589	1604	687												

**Common Vent Capacity**

Vent Height <i>H</i> (ft)		Minimum Internal Area of Masonry Chimney Flue (in. <sup>2</sup> )																							
		12			19			28			38			50			63			78			113		
		Combined Appliance Input Rating in Thousands of Btu per Hour																							
		FAN	FAN	NAT	FAN	FAN	NAT	FAN	FAN	NAT	FAN	FAN	NAT	FAN	FAN	NAT	FAN	FAN	NAT	FAN	FAN	NAT	FAN	FAN	NAT
		+FAN	+NAT	+NAT	+FAN	+NAT	+NAT	+FAN	+NAT	+NAT	+FAN	+NAT	+NAT	+FAN	+NAT	+NAT	+FAN	+NAT	+NAT	+FAN	+NAT	+NAT	+FAN	+FAN	+NAT
6	NA	NA	25	NA	118	45	NA	176	71	NA	255	102	NA	348	142	NA	455	187	NA	579	245	NA	846	NA	
8	NA	NA	28	NA	128	52	NA	190	81	NA	276	118	NA	380	162	NA	497	217	NA	633	277	1136	928	405	
10	NA	NA	31	NA	136	56	NA	205	89	NA	295	129	NA	405	175	NA	532	234	771	680	300	1216	1000	450	
15	NA	NA	36	NA	NA	66	NA	230	105	NA	335	150	NA	400	210	677	602	280	866	772	360	1359	1139	540	
20	NA	NA	NA	NA	NA	74	NA	247	120	NA	362	170	NA	503	240	765	661	321	947	849	415	1495	1264	640	
30	NA	NA	NA	NA	NA	NA	NA	NA	135	NA	398	195	NA	558	275	808	739	377	1052	957	490	1682	1447	740	
50	NA	NA	NA	NA	NA	NA	NA	NA	NA	NA	NA	NA	NA	612	325	NA	821	456	1152	1076	600	1879	1672	910	
100	NA	NA	NA	NA	NA	NA	NA	NA	NA	NA	NA	NA	NA	NA	NA	NA	NA	494	NA	NA	663	2006	1885	1046	

For SI units, 1 in. = 25.4 mm, 1 in.<sup>2</sup> = 645 mm<sup>2</sup>, 1 ft = 0.305 m, 1000 Btu/hr = 0.293 kW.

**Table 13.2(e) Single-Wall Metal Pipe or Type B Asbestos Cement Vent**

		Number of Appliances:	Two or More					
		Appliance Type:	Draft Hood-Equipped					
		Appliance Vent Connection:	Direct to Pipe or Vent					
<b>Vent Connector Capacity</b>								
Total Vent Height <i>H</i> (ft)	Connector Rise <i>R</i> (ft)	Vent Connector Diameter — <i>D</i> (in.)						
		3	4	5	6	7	8	
Maximum Appliance Input Rating in Thousands of Btu per Hour								
6-8	1	21	40	68	102	146	205	
	2	28	53	86	124	178	235	
	3	34	61	98	147	204	275	
15	1	23	44	77	117	179	240	
	2	30	56	92	134	194	265	
	3	35	64	102	155	216	298	
30 and up	1	25	49	84	129	190	270	
	2	31	58	97	145	211	295	
	3	36	68	107	164	232	321	

**Common Vent Capacity**

Common Vent Diameter — <i>D</i> (in.)								
Total Vent Height <i>H</i> (ft)	4	5	6	7	8	10	12	
	Combined Appliance Input Rating in Thousands of Btu per Hour							
6	48	78	111	155	205	320	NA	
8	55	89	128	175	234	365	505	
10	59	95	136	190	250	395	560	
15	71	115	168	228	305	480	690	
20	80	129	186	260	340	550	790	
30	NA	147	215	300	400	650	940	
50	NA	NA	NA	360	490	810	1190	

For SI units, 1 in. = 25.4 mm, 1 in.<sup>2</sup> = 645 mm<sup>2</sup>, 1 ft = 0.305 m, 1000 Btu/hr = 0.293 kW.  
 Note: See Figure G.1(f) and Section 13.2.

**Table 13.2(f) Exterior Masonry Chimney**

		Number of Appliances:	Two or More						
		Appliance Type:	NAT + NAT						
		Appliance Vent Connection:	Type B Double-Wall Connector						
SPECIAL USE: Combined Appliance Maximum Input Rating in Thousands of Btu per Hour									
Vent Height <i>H</i> (ft)	Internal Area of Chimney (in. <sup>2</sup> )								
	12	19	28	38	50	63	78	113	
6	25	46	71	103	143	188	246	NA	
8	28	53	82	119	163	218	278	408	
10	31	56	90	131	177	236	302	454	
15	NA	67	106	152	212	283	365	546	
20	NA	NA	NA	NA	NA	325	419	648	
30	NA	NA	NA	NA	NA	NA	496	749	
50	NA	NA	NA	NA	NA	NA	NA	922	
100	NA	NA	NA	NA	NA	NA	NA	NA	

For SI units, 1 in. = 25.4 mm, 1 in.<sup>2</sup> = 645 mm<sup>2</sup>, 1 ft = 0.305 m, 1000 Btu/hr = 0.293 kW.

**Table 13.2(g) Exterior Masonry Chimney**

		Number of Appliances:		Two or More				
		Appliance Type:		NAT + NAT				
		Appliance Vent Connection:		Type B Double-Wall Connector				
SPECIAL USE: Minimum Allowable Input Rating of Space-Heating Appliance in Thousands of Btu per Hour								
Vent Height H (ft)	Internal Area of Chimney (in. <sup>2</sup> )							
	12	19	28	38	50	63	78	113
Local 99% winter design temperature: 37°F or greater								
6	0	0	0	0	0	0	0	NA
8	0	0	0	0	0	0	0	0
10	0	0	0	0	0	0	0	0
15	NA	0	0	0	0	0	0	0
20	NA	NA	NA	NA	NA	184	0	0
30	NA	NA	NA	NA	NA	393	334	0
50	NA	NA	NA	NA	NA	NA	NA	579
100	NA	NA	NA	NA	NA	NA	NA	NA
Local 99% winter design temperature: 27°F to 36°F								
6	0	0	68	NA	NA	180	212	NA
8	0	0	82	NA	NA	187	214	263
10	0	51	NA	NA	NA	201	225	265
15	NA	NA	NA	NA	NA	253	274	305
20	NA	NA	NA	NA	NA	307	330	362
30	NA	NA	NA	NA	NA	NA	445	485
50	NA	NA	NA	NA	NA	NA	NA	763
100	NA	NA	NA	NA	NA	NA	NA	NA
Local 99% winter design temperature: 17°F to 26°F								
6	NA	NA	NA	NA	NA	NA	NA	NA
8	NA	NA	NA	NA	NA	NA	264	352
10	NA	NA	NA	NA	NA	NA	278	358
15	NA	NA	NA	NA	NA	NA	331	398
20	NA	NA	NA	NA	NA	NA	387	457
30	NA	NA	NA	NA	NA	NA	NA	581
50	NA	NA	NA	NA	NA	NA	NA	862
100	NA	NA	NA	NA	NA	NA	NA	NA
Local 99% winter design temperature: 5°F to 16°F								
6	NA	NA	NA	NA	NA	NA	NA	NA
8	NA	NA	NA	NA	NA	NA	NA	NA
10	NA	NA	NA	NA	NA	NA	NA	430
15	NA	NA	NA	NA	NA	NA	NA	485
20	NA	NA	NA	NA	NA	NA	NA	547
30	NA	NA	NA	NA	NA	NA	NA	682
50	NA	NA	NA	NA	NA	NA	NA	NA
100	NA	NA	NA	NA	NA	NA	NA	NA
Local 99% winter design temperature: 4°F or lower Not recommended for any vent configurations								

For SI units, 1 in. = 25.4 mm, 1 in.<sup>2</sup> = 645 mm<sup>2</sup>, 1 ft = 0.305 m, 1000 Btu/hr = 0.293 kW, °C = (°F - 32)/1.8.  
 Note: See Figure G.2.4 for a map showing local 99 percent winter design temperatures in the United States.

**Table 13.2(h) Exterior Masonry Chimney**

		Number of Appliances:		Two or More					
		Appliance Type:		FAN + NAT					
		Appliance Vent Connection:		Type B Double-Wall Connector					
SPECIAL USE: Combined Appliance Maximum Input Rating in Thousands of Btu per Hour									
Vent Height $H$ (ft)	Internal Area of Chimney (in. <sup>2</sup> )								
	12	19	28	38	50	63	78	113	
6	74	119	178	257	351	458	582	853	
8	80	130	193	279	384	501	636	937	
10	84	138	207	299	409	538	686	1010	
15	NA	152	233	334	467	611	781	1156	
20	NA	NA	250	368	508	668	858	1286	
30	NA	NA	NA	404	564	747	969	1473	
50	NA	NA	NA	NA	NA	831	1089	1692	
100	NA	NA	NA	NA	NA	NA	NA	1921	

For SI units, 1 in. = 25.4 mm, 1 in.<sup>2</sup> = 645 mm<sup>2</sup>, 1 ft = 0.305 m, 1000 Btu/hr = 0.293 kW.

**13.2.3 Vent Connector Exceeding Maximum Length.** The vent connector shall be routed to the vent utilizing the shortest possible route. Connectors with longer horizontal lengths than those listed in Table 13.2.2 are permitted under the following conditions:

- (1) The maximum capacity (FAN Max or NAT Max) of the vent connector shall be reduced 10 percent for each additional multiple of the length listed in Table 13.2.2. For example, the maximum length listed for a 4 in. (100 mm) connector is 6 ft (1.8 m). With a connector length greater than 6 ft (1.8 m) but not exceeding 12 ft (3.7 m), the maximum capacity must be reduced by 10 percent ( $0.90 \times$  maximum vent connector capacity). With a connector length greater than 12 ft (3.7 m) but not exceeding 18 ft (5.5 m), the maximum capacity must be reduced by 20 percent ( $0.80 \times$  maximum vent capacity).
- (2) For a connector serving a fan-assisted appliance, the minimum capacity (FAN Min) of the connector shall be determined by referring to the corresponding single appliance table. For Type B double-wall connectors, Table 13.1(a) shall be used. For single-wall connectors, Table 13.1(b) shall be used. The height ( $H$ ) and lateral ( $L$ ) shall be measured according to the procedures for a single appliance vent, as if the other appliances were not present.

**13.2.4 Vent Connector Manifolds.** Where the vent connectors are combined prior to entering the vertical portion of the common vent to form a common vent manifold, the size of the common vent manifold and the common vent shall be determined by applying a 10 percent reduction ( $0.90 \times$  maximum common vent capacity) to the common vent capacity part of the common vent tables. The length of the common vent manifold ( $LM$ ) shall not exceed 18 in./in. (18 mm/mm) of common vent diameter ( $D$ ).

**13.2.5 Vent Offsets.** Where the common vertical vent is offset, the maximum capacity of the common vent shall be reduced in accordance with 13.2.6 and the horizontal length of the common vent offset shall not exceed 18 in./in. (18 mm/mm) of common vent diameter ( $D$ ). Where multiple offsets occur in a common vent, the total horizontal length of all offsets

combined shall not exceed 18 in./in. (18 mm/mm) of the common vent diameter.

**13.2.6 Elbows in Vents.** For each elbow up to and including 45 degrees in the common vent, the maximum common vent capacity listed in the venting tables shall be reduced by 5 percent. For each elbow greater than 45 degrees up to and including 90 degrees, the maximum common vent capacity listed in the venting tables shall be reduced by 10 percent.

**13.2.7 Elbows in Connectors.** The vent connector capacities listed in the common vent sizing tables include allowance for two 90 degree elbows. For each additional elbow up to and including 45 degrees, the maximum vent connector capacity listed in the venting tables shall be reduced by 5 percent. For each elbow greater than 45 degrees up to and including 90 degrees, the maximum vent connector capacity listed in the venting tables shall be reduced by 10 percent.

**13.2.8 Common Vent Minimum Size.** The cross-sectional area of the common vent shall be equal to or greater than the cross-sectional area of the largest connector.

**13.2.9 Tee and Wye Fittings.** Tee and wye fittings connected to a common gas vent shall be considered as part of the common gas vent and constructed of materials consistent with that of the common gas vent.

**13.2.10 Tee and Wye Sizing.** At the point where tee or wye fittings connect to a common gas vent, the opening size of the fitting shall be equal to the size of the common vent. Such fittings shall not be prohibited from having reduced size openings at the point of connection of appliance gas vent connectors.

**13.2.11 High-Altitude Installations.** Sea level input ratings shall be used when determining maximum capacity for high-altitude installation. Actual input (derated for altitude) shall be used for determining minimum capacity for high-altitude installation.

**13.2.12 Connector Rise.** The connector rise ( $R$ ) for each appliance connector shall be measured from the draft hood outlet or flue collar to the centerline where the vent gas streams come together.

**Table 13.2(i) Exterior Masonry Chimney**

		Number of Appliances:		Two or More					
		Appliance Type:		FAN + NAT					
		Appliance Vent Connection:		Type B Double-Wall Connector					
SPECIAL USE: Minimum Allowable Input Rating of Space-Heating Appliance in Thousands of Btu per Hour									
Vent Height <i>H</i> (ft)	Internal Area of Chimney (in. <sup>2</sup> )								
	12	19	28	38	50	63	78	113	
Local 99% winter design temperature: 37°F or greater									
6	0	0	0	0	0	0	0	0	0
8	0	0	0	0	0	0	0	0	0
10	0	0	0	0	0	0	0	0	0
15	NA	0	0	0	0	0	0	0	0
20	NA	NA	123	190	249	184	0	0	0
30	NA	NA	NA	334	398	393	334	0	0
50	NA	NA	NA	NA	NA	714	707	579	579
100	NA	NA	NA	NA	NA	NA	NA	1600	1600
Local 99% winter design temperature: 27°F to 36°F									
6	0	0	68	116	156	180	212	266	266
8	0	0	82	127	167	187	214	263	263
10	0	51	97	141	183	210	225	265	265
15	NA	111	142	183	233	253	274	305	305
20	NA	NA	187	230	284	307	330	362	362
30	NA	NA	NA	330	319	419	445	485	485
50	NA	NA	NA	NA	NA	672	705	763	763
100	NA	NA	NA	NA	NA	NA	NA	1554	1554
Local 99% winter design temperature: 17°F to 26°F									
6	0	55	99	141	182	215	259	349	349
8	52	74	111	154	197	226	264	352	352
10	NA	90	125	169	214	245	278	358	358
15	NA	NA	167	212	263	296	331	398	398
20	NA	NA	212	258	316	352	387	457	457
30	NA	NA	NA	362	429	470	507	581	581
50	NA	NA	NA	NA	NA	723	766	862	862
100	NA	NA	NA	NA	NA	NA	NA	1669	1669
Local 99% winter design temperature: 5°F to 16°F									
6	NA	78	121	166	214	252	301	416	416
8	NA	94	135	182	230	269	312	423	423
10	NA	111	149	198	250	289	331	430	430
15	NA	NA	193	247	305	346	393	485	485
20	NA	NA	NA	293	360	408	450	547	547
30	NA	NA	NA	377	450	531	580	682	682
50	NA	NA	NA	NA	NA	797	853	972	972
100	NA	NA	NA	NA	NA	NA	NA	1833	1833
Local 99% winter design temperature: -10°F to 4°F									
6	NA	NA	145	196	249	296	349	484	484
8	NA	NA	159	213	269	320	371	494	494
10	NA	NA	175	231	292	339	397	513	513
15	NA	NA	NA	283	351	404	457	586	586
20	NA	NA	NA	333	408	468	528	650	650
30	NA	NA	NA	NA	NA	603	667	805	805
50	NA	NA	NA	NA	NA	NA	955	1003	1003
100	NA	NA	NA	NA	NA	NA	NA	NA	NA
Local 99% winter design temperature: -11°F or lower Not recommended for any vent configurations									

For SI units, 1 in. = 25.4 mm, 1 in.<sup>2</sup> = 645 mm<sup>2</sup>, 1 ft = 0.305 m, 1000 Btu/hr = 0.293 kW.

Note: See Figure G.2.4 for a map showing local 99 percent winter design temperatures in the United States.





**13.2.13 Vent Height.** For multiple appliances all located on one floor, available total height ( $H$ ) shall be measured from the highest draft hood outlet or flue collar up to the level of the outlet of the common vent.

**13.2.14 Multistory Vent Height.** For multistory installations, available total height ( $H$ ) for each segment of the system shall be the vertical distance between the highest draft hood outlet or flue collar entering that segment and the centerline of the next higher interconnection tee. [See Figure G.1(m).]

**13.2.15 Multistory Lowest Vent and Vent Connector Sizing.** The size of the lowest connector and of the vertical vent leading to the lowest interconnection of a multistory system shall be in accordance with Table 13.1(a) or Table 13.1(b) for available total height ( $H$ ) up to the lowest interconnection. [See Figure G.1(n).]

**13.2.16 Multistory B Vents Required.** Where used in multistory systems, vertical common vents shall be Type B double-wall and shall be installed with a listed vent cap.

**13.2.17 Multistory Vent Offsets and Capacity.** Offsets in multistory common vent systems shall be limited to a single offset in each system, and systems with an offset shall comply with all of the following:

- (1) The offset angle shall not exceed 45 degrees from vertical.
- (2) The horizontal length of the offset shall not exceed 18 in./in. (18 mm/mm) of common vent diameter of the segment in which the offset is located.
- (3) For the segment of the common vertical vent containing the offset, the common vent capacity listed in the common venting tables shall be reduced by 20 percent ( $0.80 \times$  maximum common vent capacity).
- (4) A multistory common vent shall not be reduced in size above the offset.

**13.2.18 Vertical Vent Size Limitation.** Where two or more appliances are connected to a vertical vent or chimney, the flow area of the largest section of vertical vent or chimney shall not exceed seven times the smallest listed appliance categorized vent areas, flue collar area, or draft hood outlet area unless designed in accordance with approved engineering methods.

**13.2.19 Two-Stage/Modulating Appliances.** For appliances with more than one input rate, the minimum vent connector capacity (FAN Min) determined from the tables shall be less than the lowest appliance input rating, and the maximum vent connector capacity (FAN Max or NAT Max) determined from the tables shall be greater than the highest appliance input rating.

**13.2.20\* Corrugated Chimney Liners.** Listed corrugated metallic chimney liner systems in masonry chimneys shall be sized by using Table 13.2(a) or Table 13.2(b) for Type B vents, with the maximum capacity reduced by 20 percent ( $0.80 \times$  maximum capacity) and the minimum capacity as shown in Table 13.2(a) or Table 13.2(b). Corrugated metallic liner systems installed with bends or offsets shall have their maximum capacity further reduced in accordance with 13.2.5 and 13.2.6. The 20 percent reduction for corrugated metallic chimney liner systems includes an allowance for one long radius 90 degree turn at the bottom of the liner.

**13.2.21 Connections to Chimney Liners.** Where double-wall connectors are required, tee and wye fittings used to connect to the common vent chimney liner shall be listed double-wall fittings. Connections between chimney liners

and listed double-wall fittings shall be made with listed adapter fittings designed for such purpose.

**13.2.22 Chimneys and Vent Locations.** Table 13.2(a) and Table 13.2(b) shall be used only for chimneys and vents not exposed to the outdoors below the roof line. A Type B vent passing through an unventilated enclosure or chase insulated to a value of not less than R8 shall not be considered to be exposed to the outdoors. Table 13.2(f), Table 13.2(g), Table 13.2(h), and Table 13.2(i) shall be used for clay tile lined exterior masonry chimneys, provided all the following conditions are met:

- (1) The vent connector is Type B double-wall.
- (2) At least one appliance is draft hood-equipped.
- (3) The combined appliance input rating is less than the maximum capacity given by Table 13.2(f) (for NAT+NAT) or Table 13.2(h) (for FAN+NAT).
- (4) The input rating of each space-heating appliance is greater than the minimum input rating given by Table 13.2(g) (for NAT+NAT) or Table 13.2(i) (for FAN+NAT).
- (5) The vent connector sizing is in accordance with Table 13.2(c).

**13.2.23 Draft Hood Conversion Accessories.** Draft hood conversion accessories for use with masonry chimney venting listed Category I fan-assisted appliances shall be listed and installed in accordance with the listed accessory manufacturer's installation instructions.

**13.2.24 Vent Connector Sizing.** Vent connectors shall not be increased more than two sizes greater than the listed appliance categorized vent diameter, flue collar diameter, or draft hood outlet diameter. Vent connectors for draft hood-equipped appliances shall not be smaller than the draft hood outlet diameter. Where a vent connector size(s) determined from the tables for a fan-assisted appliance(s) is smaller than the flue collar diameter, the use of the smaller size(s) shall be permitted, provided that the installation complies with all of the following conditions:

- (1) Vent connectors for fan-assisted appliance flue collars 12 in. (300 mm) in diameter or smaller are not reduced by more than one table size [e.g., 12 in. to 10 in. (300 mm to 250 mm) is a one-size reduction], and those larger than 12 in. (300 mm) in diameter are not reduced more than two table sizes [e.g., 24 in. to 20 in. (610 mm to 510 mm) is a two-size reduction].
- (2) The fan-assisted appliance(s) is common vented with a draft hood-equipped appliance(s).
- (3) The vent connector has a smooth interior wall.

**13.2.25 Multiple Vent and Connector Sizes.** All combinations of pipe sizes, single-wall metal pipe, and double-wall metal pipe shall be allowed within any connector run(s) or within the common vent, provided ALL of the appropriate tables permit ALL of the desired sizes and types of pipe, as if they were used for the entire length of the subject connector or vent. Where single-wall and Type B double-wall metal pipes are used for vent connectors within the same venting system, the common vent shall be sized using Table 13.2(b) or Table 13.2(d) as appropriate.

**13.2.26 Multiple Vent and Connector Sizes Permitted.** Where a Chapter 13 table permits more than one diameter of pipe to be used for a connector or vent, all the permitted sizes shall be permitted to be used.

**13.2.27 Interpolation.** Interpolation shall be permitted in calculating capacities for vent dimensions that fall between table entries. (See Example 3, Annex G.)

**13.2.28 Extrapolation.** Extrapolation beyond the table entries shall not be permitted.

**13.2.29 Sizing Vents Not Covered by Tables.** For vent heights lower than 6 ft (1.8 m) and higher than shown in the tables, engineering methods shall be used to calculate vent capacities.

## Annex A Explanatory Material

*Annex A is not a part of the requirements of this NFPA document but is included for informational purposes only. This annex contains explanatory material, numbered to correspond with the applicable text paragraphs.*

**A.3.2.1 Approved.** The American Gas Association, American National Standards Institute, and the National Fire Protection Association do not approve, inspect, or certify any installations, procedures, appliances, equipment, or materials; nor do they approve or evaluate testing laboratories. In determining the acceptability of installations, procedures, appliances, equipment, or materials, the authority having jurisdiction may base acceptance on compliance with NFPA or other appropriate standards. In the absence of such standards, said authority may require evidence of proper installation, procedure, or use. The authority having jurisdiction may also refer to the listings or labeling practices (see 3.2.2) of an organization that is concerned with product evaluations and is thus in a position to determine compliance with AGA, ANSI, CSA, NFPA, or appropriate standards for the current production of listed items. Additional information regarding the coordination of appliance design, construction, and maintenance can be found in Annex B.

**A.3.2.2 Authority Having Jurisdiction (AHJ).** The phrase “authority having jurisdiction,” or its acronym AHJ, is used in NFPA documents in a broad manner, since jurisdictions and approval agencies vary, as do their responsibilities. Where public safety is primary, the authority having jurisdiction may be a federal, state, local, or other regional department or individual such as a fire chief; fire marshal; chief of a fire prevention bureau, labor department, or health department; building official; electrical inspector; or others having statutory authority. For insurance purposes, an insurance inspection department, rating bureau, or other insurance company representative may be the authority having jurisdiction. In many circumstances, the property owner or his or her designated agent assumes the role of the authority having jurisdiction; at government installations, the commanding officer or departmental official may be the authority having jurisdiction.

As used in the definition of Authority Having Jurisdiction, equipment includes appliances and materials.

**A.3.2.4 Listed.** The means for identifying listed appliances and equipment may vary for each organization concerned

with product evaluation; some organizations do not recognize appliances and equipment as listed unless it is also labeled. The authority having jurisdiction should utilize the system employed by the listing organization to identify a listed product.

As used in the definition of Listed, equipment includes appliances and materials.

**A.3.3.6.11.1 Category I Vented Appliance.** For additional information on appliance categorization as shown in 3.3.6.11.1 through 3.3.6.11.4, see the appropriate Z21 and Z83 American National Standards.

**A.3.3.100.7 Venting System.** A venting system is usually composed of a vent or a chimney and vent connector(s), if used, assembled to form the open passageway.

**A.5.4.1** The size of gas piping depends on the following factors:

- (1) Allowable loss in pressure (see 5.4.4) from point of delivery to appliance
- (2) Maximum gas demand
- (3) Length of piping and number of fittings
- (4) Specific gravity of the gas
- (5) Diversity factor
- (6) Foreseeable future demand

**A.5.4.2** To obtain the cubic feet per hour of gas required, divide the Btu per hour rating by the Btu per cubic foot heating value of the gas supplied. The heating value of the gas can be obtained from the local gas supplier.

Where the ratings of the appliances to be installed are not known, Table 5.4.2.1 shows the approximate demand of typical appliances by types.

**A.5.4.3** The gas-carrying capacities for different sizes and lengths of iron pipe, or equivalent rigid pipe, and semirigid tubing are shown in the capacity tables in Chapter 6.

Table 6.2(a) through Table 6.2(t) indicate approximate capacities for single runs of piping. If the specific gravity of the gas is other than 0.60, correction factors should be applied. Correction factors for use with these tables are given in Table C.3.4.

For any gas piping system, for special appliances, or for conditions other than those covered by the capacity tables in Chapter 6, such as longer runs, greater gas demands, or greater pressure drops, the size of each gas piping system should be determined by the pipe sizing equations in Section 6.4 or by standard engineering methods acceptable to the authority having jurisdiction.

A suggested procedure for using the Chapter 6 tables to size a gas piping system is illustrated in Annex C.

**A.5.5.1(1)** For welding specifications and procedures that can be used, see the API 1104, *Welding of Pipelines and Related Facilities*; AWS B2.1, *Standard for Welding Procedure and Performance Qualification*; or ASME Boiler and Pressure Vessel Code, Section IX.

**A.5.6** Table A.5.6 is a list of piping materials and fittings that are allowed in the code.



**Table A.5.6 Approved Pipe, Tube, Fittings, and Joints for Natural Gas and Liquefied Petroleum Fuel Applications**

Pipe Material	Standard	Fitting Types	Joint Types	Other Requirements
<b>Metallic Pipe</b>				
Black steel (minimum Schedule 40)	ASTM A 106*	Steel Malleable iron Steel cast iron ASME B16.1* Brass Bronze Special	Threaded Flanged	Threads per ASME B1.20.1*. Special fittings shall be appropriate for the application and acceptable to AHJ.
Galvanized steel (minimum Schedule 40)	ASTM A 53*			
Wrought iron (minimum Schedule 40) (Also known as low iron or wrought steel)	ASME B36.10M*			
Copper	None specified	Cast copper alloy Bronze Brass Special	None specified	Prohibited where the gas contains more than an average of 0.3 grains of hydrogen sulfide per 100 scf of gas (0.7 mg/100 L). Threads cannot form the joint seal. Special fittings shall be appropriate for the application and acceptable to AHJ.
Copper alloy (brass)	None specified			
Aluminum	ASTM B 241*	Aluminum Special	None specified	Alloy 5456 is prohibited. Threads cannot form the joint seal. Coated to protect against external corrosion where it is in contact with masonry, plaster, or insulation, or is subject to repeated wettings by such liquids as water, detergents, or sewage. Aluminum alloy pipe shall not be used in exterior locations or underground. Special fittings shall be appropriate for the application and acceptable to AHJ.
<b>Metallic Tubing</b>				
Copper	ASTM B 88* ASTM B 280*	Cast copper alloy Wrought copper Press fittings meeting ANSI LC4* Forged copper alloy Special	Brazed Flanged/brazed Brazed mechanically Pressed (crimped) Flared	Prohibited where the gas contains more than an average of 0.3 grains of hydrogen sulfide per 100 scf of gas (0.7 mg/100 L). Brazed joints fabricated with alloys having a melting temperature greater than 1000°F. Brazing alloys contain less than 0.05% phosphorus. Minimum melting temperature greater than 1000°F. Brazing alloys contain less than 0.05% phosphorus. Flares, SAE J533 for single 45° flares. Special fittings shall be appropriate for the application and acceptable to AHJ.
CSST	ANSI LC 1 / CSA 6.26*	ANSI LC 1 / CSA 6.26*	Manufacturer's installation instructions	Installation in accordance with the manufacturer's installation instructions.
Aluminum	ASTM B 210* ASTM B 241*	Copper alloy (brass) Special	Compression	Coated to protect against external corrosion where it is in contact with masonry, plaster, or insulation, or is subject to repeated wettings by such liquids as water, detergent, or sewage. Aluminum-alloy tubing shall be used in exterior locations or underground. Special fittings shall be appropriate for the application and acceptable to AHJ.
Steel	ASTM A 539* ASTM A 254*	Special		Special fittings shall be appropriate for the application and acceptable to AHJ.

(continues)

**Table A.5.6** *Continued*

Pipe Material	Standard	Fitting Types	Joint Types	Other Requirements
<b>Non-Metallic Pipe and Tube</b>				
Polyethylene (PE)	ASTM D 2513*	Polyethylene (PE) ASTM D 2513* (heat fusion) Service head adapters meeting Category I of ASTM D 2513* Connections to metallic pipe meeting ASTM D 2513*, ASTM F 1973*, or ASTM F 2509*	Manufacturer's instructions Compression-type mechanical joints Heat fusion	Pipe and tubing installed outdoors underground only. Pipe shall be marked "gas" and "ASTM D 2513." Plastic pipe, tubing, fittings, and joints in undiluted liquefied petroleum gas piping systems shall be in accordance with NFPA 58*.
PVC	UL 651* Schedule 40 or 80	PVC UL 651* Schedule 40 or 80	Manufacturer's instructions	Regulator vents only Outdoor installation only

\*Required standard. See Annex M for standard title.

The text of Table A.5.6 has been revised by a tentative interim amendment (TIA). See page 1.

**A.5.6.2.3** An average of 0.3 grains of hydrogen sulfide per 100 scf of gas (0.7 mg/100 L) is equivalent to a trace as determined by ANSI/ASTM D 2385, *Method of Test for Hydrogen Sulfide and Mercaptan Sulfur in Natural Gas (Cadmium Sulfate — Iodometric Titration Method)*, or ANSI/ASTM D 2420, *Method of Test for Hydrogen Sulfide in Liquefied Petroleum (LP) Gases (Lead Acetate Method)*.

**A.5.6.3.2** See A.5.6.2.3.

Copper and brass tubing and fittings (except tin-lined copper tubing) should not be used if the gas contains more than an average of 0.3 grains of hydrogen sulfide per 100 scf of gas (0.7 mg/100 L).

**A.5.6.4.2** The reference to ANSI/UL 651, *Schedule 40 and 80 Rigid PVC Conduit and Fittings*, is to require that PVC be a minimum of Schedule 40 and that it be resistant to the effects of ultraviolet light because it is likely to be exposed to the outdoors when used for regulator vents.

**A.5.6.8.1** For welding and brazing specifications and procedures that can be used, see API 1104, *Standard for Welding Pipelines and Related Facilities*; AWS B2.1, *Standard for Welding Procedure and Performance Qualification*; AWS B2.2, *Standard for Brazing Procedure and Performance Qualification*; or ASME *Boiler and Pressure Vessel Code*, Section IX.

**A.5.7** This section applies to premises-owned meters [see 1.1.1.2(16)].

**A.5.8** This section applies to premises-owned regulators [see 1.1.1.2(16)].

**A.6.1.1** The Longest Length Method is the traditional method used to determine the equivalent piping length  $L$  that is then used along with the pipe sizing tables to determine the appropriate pipe diameter size.

**A.6.1.2** The Branch Length Method is an alternate sizing method that could permit slightly smaller pipe diameters in some segments of a piping system when compared with the Longest Length Method.

**A.6.4.1** The Low-Pressure Formula is the standard flow formula located in Annex C but rearranged to solve for the pipe diameter.

**A.6.4.2** The High-Pressure Formula is the standard flow formula located in Annex C but rearranged to solve for the pipe diameter.

**A.7.1.3** For information on corrosion protection of underground pipe, see NACE RP 0169, *Control of External Corrosion on Underground or Submerged Metallic Piping Systems*. Information on installation, maintenance, and corrosion protection might be available from the gas supplier.

**A.7.1.4** The gas supplier can be consulted for recommendations.

**A.7.2.5** The intent is that gas piping, shutoff valves required by this code, and regulators be allowed to be installed in accessible portions of plenums, accessible ducts used to supply combustion and ventilation air in accordance with Section 5.3, and accessible spaces between a fixed ceiling and dropped ceiling.

**A.7.4.3** Only vertical chases are recognized by the coverage. It is believed that welded joints for a horizontal gas line would be preferable to a horizontal chase.

**A.7.12.4** The mixing blower is acknowledged as a special case because of its inability to tolerate control valves or comparable restrictions between mixing blower(s) and burner(s). With these limitations, mixing blower installations are not required to utilize safety blowouts, backfire preventers, explosion heads, flame arresters, or automatic firechecks that introduce pressure losses.

**A.7.12.5.1** For information on venting of deflagrations, see NFPA 68, *Standard on Explosion Protection by Deflagration Venting*.

**A.7.12.5.4** Additional interlocks might be necessary for safe operation of appliances supplied by the gas-mixing machine.

**A.7.12.6(1)** Two basic methods are generally used. One calls for a separate firecheck at each burner, the other a firecheck at each group of burners. The second method is generally more practical if a system consists of many closely spaced burners.

An approved automatic firecheck should be installed as near as practical upstream from a flame arrester used for local protection where test burners or lighting torches are employed.

**A.7.13.4** NFPA 780, Section 4.14, requires that all grounding media including underground metallic piping systems be interconnected to provide a common ground potential. These underground piping systems are not permitted to be substituted for grounding electrodes but must be bonded to the



lightning protection grounding system. Where galvanic corrosion is of concern, the bond may be made via a spark gap or gas discharge tube.

**A.8.1.1** Because it is sometimes necessary to divide a piping system into test sections and install test heads, connecting piping, and other necessary appurtenances for testing, it is not required that the tie-in sections of pipe be pressure-tested. Tie-in connections, however, should be tested with a noncorrosive leak detection fluid after gas has been introduced and the pressure has been increased sufficiently to give some indications whether leaks exist.

The test procedure used should be capable of disclosing all leaks in the section being tested and should be selected after giving due consideration to the volumetric content of the section and to its location.

Under no circumstances should a valve in a line be used as a bulkhead between gas in one section of the piping system and test medium in an adjacent section, unless two valves are installed in series with a valved “telltale” located between these valves. A valve should not be subjected to the test pressure unless it can be determined that the valve, including the valve closing mechanism, is designed to safely withstand the test pressure.

**A.8.1.4.3** During pressure tests conducted over long periods of time, such as overnight, the effects of temperature on pressure should be considered. Temperature drops can cause a drop in pressure great enough to be indicated by the test gauge. These temperature drops may cause test evaluators to think that a leak exists in the piping system when in fact the pressure drop was caused by a decrease in the ambient temperature. See Example 5 in C.8.5.

**A.8.2.3** See Annex D for a suggested method.

**A.8.3** The process of purging a gas pipeline of fuel gas and replacing the fuel gas with air or charging a gas pipeline that is full of air with fuel gas requires that a significant amount of combustible mixture not be developed within the pipeline or released within a confined space.

**A.9.1.1** The American Gas Association, American National Standards Institute, Inc., and the National Fire Protection Association do not approve, inspect, or certify any installations, procedures, appliances, equipment, or materials; nor do they approve or evaluate testing laboratories. In determining acceptability of installations, procedures, appliances, equipment, or materials, the authority having jurisdiction can base acceptance on compliance with AGA, ANSI, CSA, or NFPA, or other appropriate standards. In the absence of such standards, said authority can require evidence of proper installation, procedure, or use. The authority having jurisdiction can also refer to the listings or labeling practices (see 3.2.3, *Labeled*, and 3.2.4, *Listed*) of an organization concerned with product evaluations and is thus in a position to determine compliance with appropriate standards for the current production of listed items. Additional information regarding the coordination of appliance design, construction, and maintenance can be found in Annex B.

**A.9.1.6** Halogenated hydrocarbons are particularly injurious and corrosive after contact with flames or hot surfaces.

**A.9.3** Operation of exhaust fans, ventilation systems, clothes dryers, or fireplaces can create conditions requiring special attention to avoid unsatisfactory operation of installed appliances.

**A.9.3.2.1** See Table A.9.3.2.1.

**A.9.3.2.2** See Table A.9.3.2.2(a) and Table A.9.3.2.2(b).

**Table A.9.3.2.1 Standard Method: Required Volume, All Appliances**

Appliance Input (Btu/hr)	Required Volume (ft <sup>3</sup> )
5,000	250
10,000	500
15,000	750
20,000	1,000
25,000	1,250
30,000	1,500
35,000	1,750
40,000	2,000
45,000	2,250
50,000	2,500
55,000	2,750
60,000	3,000
65,000	3,250
70,000	3,500
75,000	3,750
80,000	4,000
85,000	4,250
90,000	4,500
95,000	4,750
100,000	5,000
105,000	5,250
110,000	5,500
115,000	5,750
120,000	6,000
125,000	6,250
130,000	6,500
135,000	6,750
140,000	7,000
145,000	7,250
150,000	7,500
160,000	8,000
170,000	8,500
180,000	9,000
190,000	9,500
200,000	10,000
210,000	10,500
220,000	11,000
230,000	11,500
240,000	12,000
250,000	12,500
260,000	13,000
270,000	13,500
280,000	14,000
290,000	14,500
300,000	15,000

For SI units, 1 ft<sup>3</sup> = 0.028 m<sup>3</sup>, 1000 Btu/hr = 0.293 kW.

**A.9.3.2.3(1)** See Figure A.9.3.2.3(1).

**A.9.3.3.1(1)** See Figure A.9.3.3.1(1)(a) and Figure A.9.3.3.1(1)(b).

**A.9.3.3.1(2)** See Figure A.9.3.3.1(2).

**A.9.3.3.2** See Figure A.9.3.3.2.



**Table A.9.3.2.2(a) Known Air Infiltration Rate Method: Minimum Space Volume for Appliances Other than Fan-Assisted for Specified Infiltration Rates (ACH)**

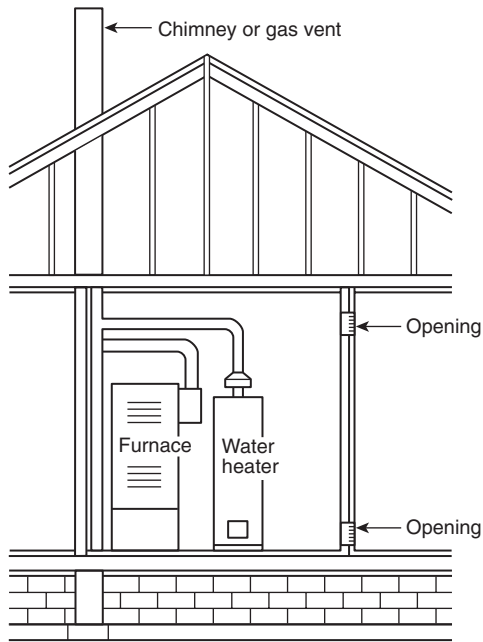
Appliance Input (Btu/hr)	Space Volume (ft <sup>3</sup> )		
	0.25 ACH	0.30 ACH	0.35 ACH
5,000	420	350	300
10,000	840	700	600
15,000	1,260	1,050	900
20,000	1,680	1,400	1,200
25,000	2,100	1,750	1,500
30,000	2,520	2,100	1,800
35,000	2,940	2,450	2,100
40,000	3,360	2,800	2,400
45,000	3,780	3,150	2,700
50,000	4,200	3,500	3,000
55,000	4,620	3,850	3,300
60,000	5,040	4,200	3,600
65,000	5,460	4,550	3,900
70,000	5,880	4,900	4,200
75,000	6,300	5,250	4,500
80,000	6,720	5,600	4,800
85,000	7,140	5,950	5,100
90,000	7,560	6,300	5,400
95,000	7,980	6,650	5,700
100,000	8,400	7,000	6,000
105,000	8,820	7,350	6,300
110,000	9,240	7,700	6,600
115,000	9,660	8,050	6,900
120,000	10,080	8,400	7,200
125,000	10,500	8,750	7,500
130,000	10,920	9,100	7,800
135,000	11,340	9,450	8,100
140,000	11,760	9,800	8,400
145,000	12,180	10,150	8,700
150,000	12,600	10,500	9,000
160,000	13,440	11,200	9,600
170,000	14,280	11,900	10,200
180,000	15,120	12,600	10,800
190,000	15,960	13,300	11,400
200,000	16,800	14,000	12,000
210,000	17,640	14,700	12,600
220,000	18,480	15,400	13,200
230,000	19,320	16,100	13,800
240,000	20,160	16,800	14,400
250,000	21,000	17,500	15,000
260,000	21,840	18,200	15,600
270,000	22,680	18,900	16,200
280,000	23,520	19,600	16,800
290,000	24,360	20,300	17,400
300,000	25,200	21,000	18,000

For SI units, 1 ft<sup>3</sup> = 0.028 m<sup>3</sup>, 1000 Btu/hr = 0.293 kW.  
ACH: Air change per hour.

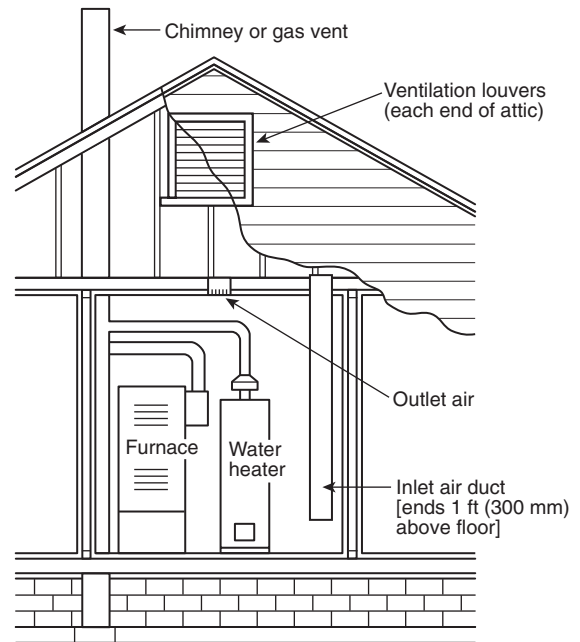
**Table A.9.3.2.2(b) Known Air Infiltration Rate Method: Minimum Space Volume for Fan-Assisted Appliance, for Specified Infiltration Rates (ACH)**

Appliance Input (Btu/hr)	Required Volume (ft <sup>3</sup> )		
	0.25 ACH	0.30 ACH	0.35 ACH
5,000	300	250	214
10,000	600	500	429
15,000	900	750	643
20,000	1,200	1,000	857
25,000	1,500	1,250	1,071
30,000	1,800	1,500	1,286
35,000	2,100	1,750	1,500
40,000	2,400	2,000	1,714
45,000	2,700	2,250	1,929
50,000	3,000	2,500	2,143
55,000	3,300	2,750	2,357
60,000	3,600	3,000	2,571
65,000	3,900	3,250	2,786
70,000	4,200	3,500	3,000
75,000	4,500	3,750	3,214
80,000	4,800	4,000	3,429
85,000	5,100	4,250	3,643
90,000	5,400	4,500	3,857
95,000	5,700	4,750	4,071
100,000	6,000	5,000	4,286
105,000	6,300	5,250	4,500
110,000	6,600	5,500	4,714
115,000	6,900	5,750	4,929
120,000	7,200	6,000	5,143
125,000	7,500	6,250	5,357
130,000	7,800	6,500	5,571
135,000	8,100	6,750	5,786
140,000	8,400	7,000	6,000
145,000	8,700	7,250	6,214
150,000	9,000	7,500	6,429
160,000	9,600	8,000	6,857
170,000	10,200	8,500	7,286
180,000	10,800	9,000	7,714
190,000	11,400	9,500	8,143
200,000	12,000	10,000	8,571
210,000	12,600	10,500	9,000
220,000	13,200	11,000	9,429
230,000	13,800	11,500	9,857
240,000	14,400	12,000	10,286
250,000	15,000	12,500	10,714
260,000	15,600	13,000	11,143
270,000	16,200	13,500	11,571
280,000	16,800	14,000	12,000
290,000	17,400	14,500	12,429
300,000	18,000	15,000	12,857

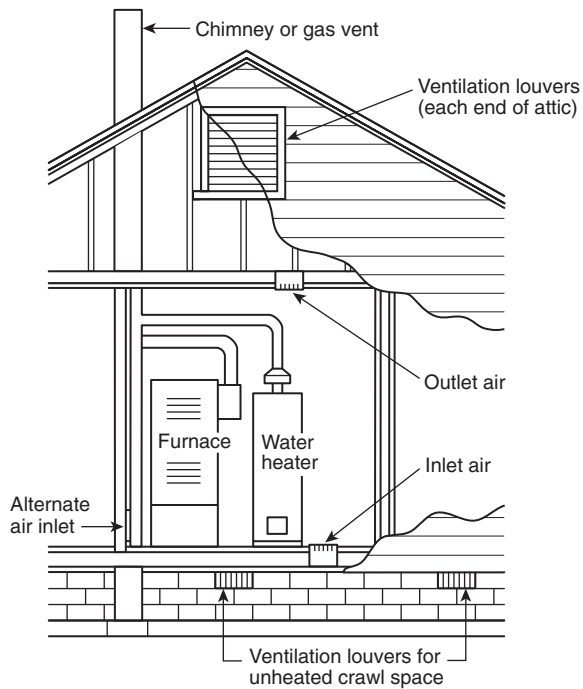
For SI units, 1 ft<sup>3</sup> = 0.028 m<sup>3</sup>, 1000 Btu/hr = 0.293 kW.  
ACH: Air change per hour.



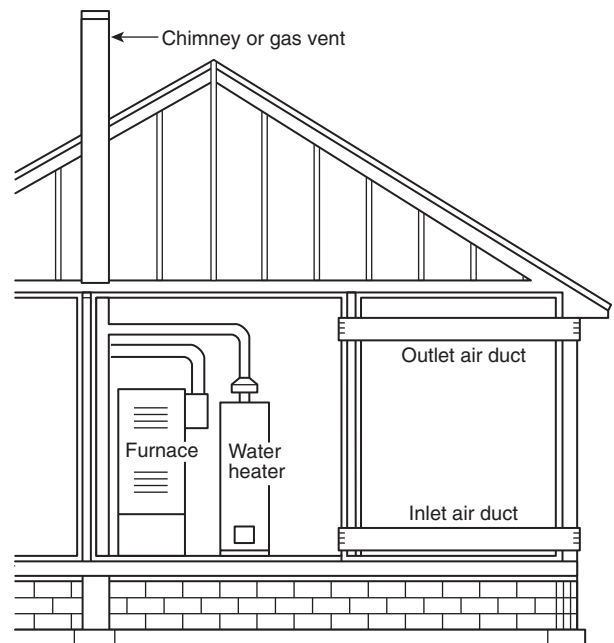
**FIGURE A.9.3.2.3(1) All Combustion Air from Adjacent Indoor Spaces Through Indoor Combustion Air Openings.**



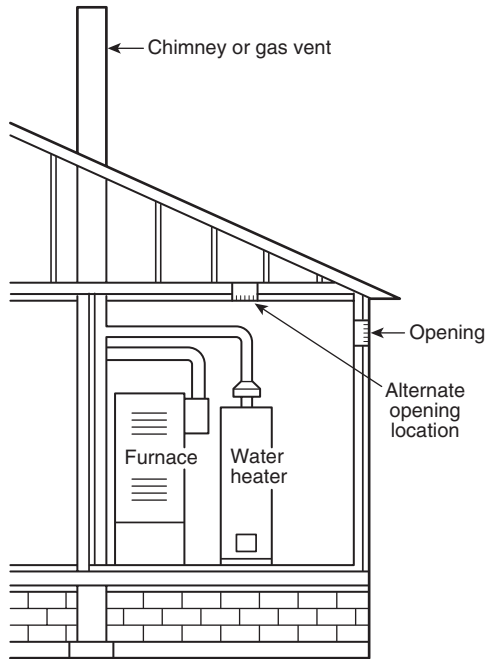
**FIGURE A.9.3.3.1(1)(b) All Combustion Air from Outdoors Through Ventilated Attic.**



**FIGURE A.9.3.3.1(1)(a) All Combustion Air from Outdoors — Inlet Air from Ventilated Crawl Space and Outlet Air to Ventilated Attic.**



**FIGURE A.9.3.3.1(2) All Combustion Air from Outdoors Through Horizontal Ducts.**



**FIGURE A.9.3.3.2 All Combustion Air from Outdoors Through Single Combustion Air Opening.**

**A.9.6.1.3** The expansion and contraction of the heater and the vibration from the blower motor may lead to work hardening of the rigid pipe or semirigid metallic tubing, which may ultimately lead to fractures and leakage. Connectors for this type of heater should have adequate flexibility, temperature rating, and vibration resistance to accommodate the characteristics of the heater. Such flexible connectors for suspended heaters should meet the following criteria:

- (1) Be determined to be appropriate for the application.
- (2) Be specified by the heater manufacturer.
- (3) Be installed in accordance with the manufacturer's installation instructions.

**A.10.1.2** Also see prohibited installations in 10.6.1, 10.7.1, 10.8.2, 10.9.2, and 10.23.1.

**A.10.2.6** Reference can be made to NFPA 90A, *Standard for the Installation of Air-Conditioning and Ventilating Systems*, or to NFPA 90B, *Standard for the Installation of Warm Air Heating and Air-Conditioning Systems*.

**A.10.3.5** Paragraph 10.3.5 differs from that published in ANSI Z223.1. This paragraph was revised based on an amendment approved in the NFPA process. A similar change has been proposed as an amendment to ANSI Z223.1.

**A.10.3.6** For details of requirements on low-pressure heating boiler safety devices, refer to ASME *Boiler and Pressure Vessel Code*, Section IV, "Rules for Construction of Heating Boilers."

**A.10.3.7.3** Reference can be made to NFPA 90A, *Standard for the Installation of Air-Conditioning and Ventilating Systems*, or to NFPA 90B, *Standard for the Installation of Warm Air Heating and Air-Conditioning Systems*.

**A.10.6.1** For information on decorative appliances for installation in vented fireplaces, see ANSI Z21.60/CGA 2.26, *Decorative Gas Appliances for Installation in Solid-Fuel Burning Fireplaces*.

**A.10.7.1** For information on vented gas fireplaces, see ANSI Z21.50/CGA 2.22, *Vented Gas Fireplaces*.

**A.10.9.2.2** Recirculation of room air can be hazardous in the presence of flammable solids, liquids, gases, explosive materials (e.g., grain dust, coal dust, gun powder), and substances (e.g., refrigerants, aerosols) that can become toxic when exposed to flame or heat.

**A.10.12.8** Where exhaust fans are used for ventilation, precautions might be necessary to avoid interference with the operation of the appliance.

**A.10.23.1** It is recommended that space heating appliances installed in all bedrooms or rooms generally kept closed be of the direct vent type. (See Section 10.27.)

**A.10.28.7** A hole near the top of a cold water inlet tube that enters the top of the water heater or tank is commonly accepted for this purpose.

**A.11.1.1** For most burners, the input rate can be changed only slightly by changing the input pressure. Burner input should be checked in accordance with the appliance manufacturer's installation instructions. If no appliance instructions are provided, burner input rate can be checked as follows:

- (1) *Checking Burner Input Using a Meter (Clocking).* To check the Btu/hr input rate, the test hand on the gas meter should be timed for at least one revolution and the input determined from this timing. Test dials are generally marked  $\frac{1}{2}$ , 1, 2, or 5 ft<sup>3</sup>/revolution depending on the size of the meter. Instructions for converting the test hand readings to cubic feet per hour are given in Table A.11.1.1. This table is provided for specific gas pressures within the meters and gives gas flow rate (corrected to standard conditions) in cubic feet of gas per hour. Standard temperature is 60°F (16°C), and standard pressure is 30.00 in. of mercury. Measure the time for at least one revolution of a dial. Look up the gas flow rate in Table A.11.1.1. Gas flow rates can be calculated for meter pressures other than in these tables in the following manner. A pressure adjustment factor **F** should be determined for use in the gas input calculation for the gas pressure difference  $\Delta P$  between the meter inlet and the atmosphere. The gas supplier can provide the pressure at the meter inlet. The pressure adjustment factor **F** is calculated with the following formula. Table A.11.1.1 was calculated using this formula.

$$F = \frac{\Delta P + (B \times 13.596)}{30.00 \times 13.596}$$

where:

- F** = pressure correction factor
- $\Delta P$  = meter inlet pressure (in. w.c.)
- B** = barometric pressure, unadjusted to sea level (in. of mercury)

NOAA weather reports barometric pressure in inches of mercury, adjusted to sea level. The sea level adjustment must be subtracted from the barometric pressure reported by NOAA weather. The local sea level adjustment can be obtained from NOAA.

For example, NOAA reported barometric pressure to be 30.12 in. of mercury for a city at 250 ft elevation. The barometric pressure adjustment for 250 ft is 0.27 in. of mercury. Subtract the local sea level adjustment from the NOAA barometric pressure to get the unadjusted barometric pressure.

$$30.12 - 0.27 = 29.85$$

The gas flow rate  $Q$  is calculated using the following formula:

$$Q = F \times C$$

where:

$Q$  = gas flow rate at standard conditions (ft<sup>3</sup>/hr)

$F$  = pressure adjustment factor

$C$  = timed gas flow rate (ft<sup>3</sup>/hr)

The gas input rate  $I$  is calculated with the following formula:

$$I = Q \times HHV$$

where:

$I$  = gas input rate (Btu/hr)

$Q$  = gas flow rate at standard conditions (ft<sup>3</sup>/hr)

$HHV$  = average higher heat value of the gas at standard temperature and pressure conditions (Btu/ft<sup>3</sup>), which can be obtained from the gas supplier

Appliances can be seriously overfired if the timed meter gas flow rate used to set input rate is not adjusted for meter pressure. At 2 psi meter pressure, an appliance would be 13 percent overfired if the gas flow rate is not adjusted for meter pressure.

(2) *Checking Burner Input by Using Orifice Pressure Drop and Orifice Size.* The fixed orifice size for each burner can be determined in accordance with Table F.1.1(a) for utility gases and Table F.1.1(b) for undiluted LP-Gases.

**Table A.11.1.1 Gas Flow Rate to Burner in Cubic Feet per Hour at Standard Temperature and Pressure**

Meter Pressure:	7.0 in. w.c. or 0.25 psi				11.0 in. w.c. or 0.40 psi				55.4 in. w.c. or 2 psi			
	Size of Test Meter Dial											
Seconds for One Revolution	½ ft <sup>3</sup>	1 ft <sup>3</sup>	2 ft <sup>3</sup>	5 ft <sup>3</sup>	½ ft <sup>3</sup>	1 ft <sup>3</sup>	2 ft <sup>3</sup>	5 ft <sup>3</sup>	½ ft <sup>3</sup>	1 ft <sup>3</sup>	2 ft <sup>3</sup>	5 ft <sup>3</sup>
10	183	366	732	1831	185	370	739	1849	204	409	818	2044
11	166	333	666	1664	168	336	672	1680	186	372	743	1859
12	153	305	610	1526	154	308	616	1540	170	341	681	1704
13	141	282	563	1408	142	284	569	1422	157	315	629	1573
14	131	262	523	1308	132	264	528	1320	146	292	584	1460
15	122	244	488	1221	123	246	493	1232	136	273	545	1363
16	114	229	458	1144	116	231	462	1155	128	256	511	1278
17	108	215	431	1077	109	217	435	1087	120	241	481	1203
18	102	203	407	1017	103	205	411	1027	114	227	454	1136
19	96	193	385	964	97	195	389	973	108	215	430	1076
20	92	183	366	915	92	185	370	924	102	204	409	1022
21	87	174	349	872	88	176	352	880	97	195	389	974
22	83	166	333	832	84	168	336	840	93	186	372	929
23	80	159	318	796	80	161	321	804	89	178	356	889
24	76	153	305	763	77	154	308	770	85	170	341	852
25	73	146	293	732	74	148	296	739	82	164	327	818
26	70	141	282	704	71	142	284	711	79	157	315	786
27	68	136	271	678	68	137	274	685	76	151	303	757
28	65	131	262	654	66	132	264	660	73	146	292	730
29	63	126	253	631	64	127	255	637	70	141	282	705
30	61	122	244	610	62	123	246	616	68	136	273	681
31	59	118	236	591	60	119	239	596	66	132	264	660
32	57	114	229	572	58	116	231	578	64	128	256	639
33	55	111	222	555	56	112	224	560	62	124	248	620
34	54	108	215	538	54	109	217	544	60	120	241	601
35	52	105	209	523	53	106	211	528	58	117	234	584
36	51	102	203	509	51	103	205	513	57	114	227	568
37	49	99	198	495	50	100	200	500	55	111	221	553
38	48	96	193	482	49	97	195	486	54	108	215	538
39	47	94	188	469	47	95	190	474	52	105	210	524
40	46	92	183	458	46	92	185	462	51	102	204	511
41	45	89	179	447	45	90	180	451	50	100	199	499
42	44	87	174	436	44	88	176	440	49	97	195	487
43	43	85	170	426	43	86	172	430	48	95	190	475
44	42	83	166	416	42	84	168	420	46	93	186	465
45	41	81	163	407	41	82	164	411	45	91	182	454
46	40	80	159	398	40	80	161	402	44	89	178	444

(continues)

Table A.11.1.1 *Continued*

Meter Pressure:	7.0 in. w.c. or 0.25 psi				11.0 in. w.c. or 0.40 psi				55.4 in. w.c. or 2 psi			
	Size of Test Meter Dial											
Seconds for One Revolution	½ ft <sup>3</sup>	1 ft <sup>3</sup>	2 ft <sup>3</sup>	5 ft <sup>3</sup>	½ ft <sup>3</sup>	1 ft <sup>3</sup>	2 ft <sup>3</sup>	5 ft <sup>3</sup>	½ ft <sup>3</sup>	1 ft <sup>3</sup>	2 ft <sup>3</sup>	5 ft <sup>3</sup>
47	39	78	156	390	39	79	157	393	43	87	174	435
48	38	76	153	381	39	77	154	385	43	85	170	426
49	37	75	149	374	38	75	151	377	42	83	167	417
50	37	73	146	366	37	74	148	370	41	82	164	409
51	36	72	144	359	36	72	145	362	40	80	160	401
52	35	70	141	352	36	71	142	355	39	79	157	393
53	35	69	138	345	35	70	140	349	39	77	154	386
54	34	68	136	339	34	68	137	342	38	76	151	379
55	33	67	133	333	34	67	134	336	37	74	149	372
56	33	65	131	327	33	66	132	330	37	73	146	365
57	32	64	128	321	32	65	130	324	36	72	143	359
58	32	63	126	316	32	64	127	319	35	70	141	352
59	31	62	124	310	31	63	125	313	35	69	139	347
60	31	61	122	305	31	62	123	308	34	68	136	341
62	30	59	118	295	30	60	119	298	33	66	132	330
64	29	57	114	286	29	58	116	289	32	64	128	319
66	28	55	111	277	28	56	112	280	31	62	124	310
68	27	54	108	269	27	54	109	272	30	60	120	301
70	26	52	105	262	26	53	106	264	29	58	117	292
72	25	51	102	254	26	51	103	257	28	57	114	284
74	25	49	99	247	25	50	100	250	28	55	111	276
76	24	48	96	241	24	49	97	243	27	54	108	269
78	23	47	94	235	24	47	95	237	26	52	105	262
80	23	46	92	229	23	46	92	231	26	51	102	256
82	22	45	89	223	23	45	90	225	25	50	100	249
84	22	44	87	218	22	44	88	220	24	49	97	243
86	21	43	85	213	21	43	86	215	24	48	95	238
88	21	42	83	208	21	42	84	210	23	46	93	232
90	20	41	81	203	21	41	82	205	23	45	91	227
94	19	39	78	195	20	39	79	197	22	43	87	217
98	19	37	75	187	19	38	75	189	21	42	83	209
100	18	37	73	183	18	37	74	185	20	41	82	204
104	18	35	70	176	18	36	71	178	20	39	79	197
108	17	34	68	170	17	34	68	171	19	38	76	189
112	16	33	65	163	17	33	66	165	18	37	73	183
116	16	32	63	158	16	32	64	159	18	35	70	176
120	15	31	61	153	15	31	62	154	17	34	68	170
130	14	28	56	141	14	28	57	142	16	31	63	157
140	13	26	52	131	13	26	53	132	15	29	58	146
150	12	24	49	122	12	25	49	123	14	27	55	136
160	11	23	46	114	12	23	46	116	13	26	51	128
170	11	22	43	108	11	22	43	109	12	24	48	120
180	10	20	41	102	10	21	41	103	11	23	45	114
190	10	19	39	96	10	19	39	97	11	22	43	108
200	9	18	37	92	9	18	37	92	10	20	41	102

Note: To convert to Btu per hour, multiply the cubic feet per hour of gas by the Btu per cubic foot heating value of the gas used.

**A.11.2** Normally, the primary air adjustment should first be set to give a soft blue flame having luminous tips and then increased to a point where the yellow tips just disappear. If the burner cannot be so adjusted, the manufacturer or serving gas supplier should be contacted.

**A.11.6** A procedure for checking draft can be found in Annex H, Steps 7, 8, and 10 through 14.

**A.12.3.3** Information on the construction and installation of ventilating hoods can be obtained from NFPA 96, *Standard for*

*Ventilation Control and Fire Protection of Commercial Cooking Operations.*

**A.12.4.4** See A.12.3.3.

**A.12.6.1.3** For information on the installation of gas vents in existing masonry chimneys, see Section 12.7.

**A.12.6.5.3** Reference can also be made to the chapter on chimney, gas vent, and fireplace systems of the *ASHRAE Handbook — HVAC Systems and Equipment.*



**A.12.7.3.1** Additional information on sizing venting systems can be found in the following:

- (1) Tables in Chapter 13
- (2) The appliance manufacturer's instructions
- (3) The vent system manufacturer's sizing instructions
- (4) Drawings, calculations, and specifications provided by the vent system manufacturer
- (5) Drawings, calculations, and specifications provided by a competent person
- (6) The chapter on chimney, gas vent, and fireplace systems of the *ASHRAE Handbook — HVAC Systems and Equipment*

Category I appliances may be either draft hood-equipped or a fan-assisted combustion system in design. Different vent design methods are required for draft hood-equipped and fan-assisted combustion system appliances.

**A.12.8.2** Data on winter design temperature can be found in Figure G.2.4 and the 1993 edition of the *ASHRAE Handbook — Fundamentals*.

**A.12.8.4.1** The prohibition only applies to a vent entirely constructed of single-wall metal pipe located in a residential occupancy. The prohibition does not apply to single-wall vent connectors used to connect an appliance to the vent as permitted in Section 12.11 and Chapter 13.

**A.12.8.5(1)** Reference can also be made to the chapter on chimney, gas vent, and fireplace systems of the *ASHRAE Handbook — HVAC Systems and Equipment*.

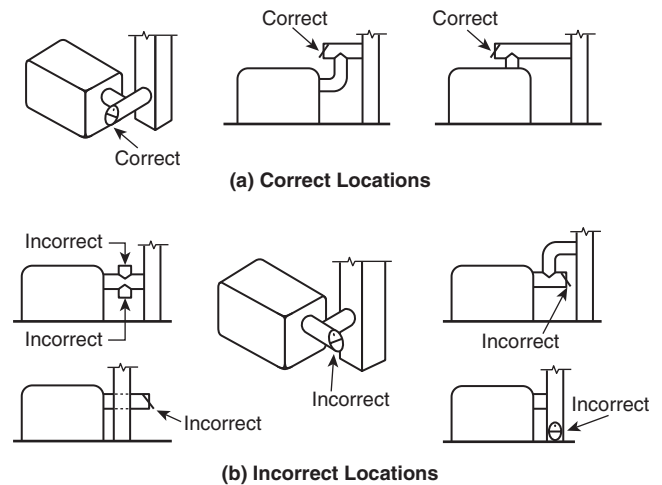
**A.12.9** See Figure A.12.9.

**A.12.11.3** Reference can also be made to the chapter on chimney, gas vent, and fireplace systems of the *ASHRAE Handbook — HVAC Systems and Equipment*.

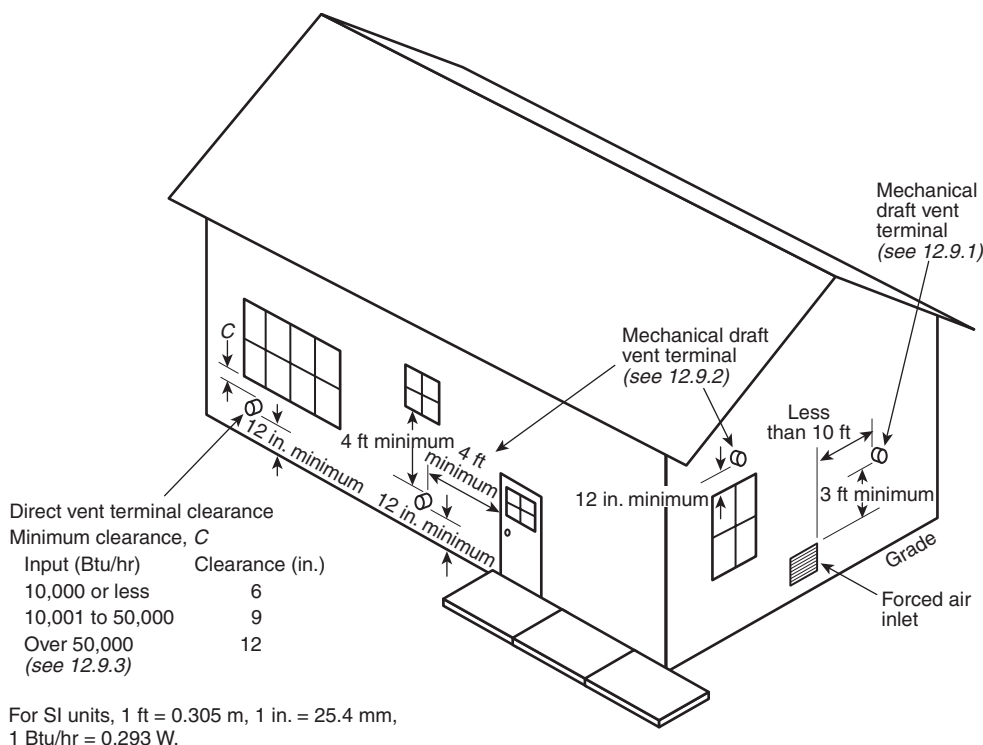
**A.12.13.4** A device that automatically shuts off gas to the burner in the event of sustained backdraft is recommended if such backdraft might adversely affect burner operation or if flue gas spillage might introduce a hazard. Figure A.12.13.4 shows examples of correct and incorrect locations for barometric draft regulators.

**A.13.1.7** A long radius turn is a turn where the centerline radius is equal to or greater than 1.5 times the vent diameter.

**A.13.2.20** A long radius turn is a turn where the centerline radius is equal to or greater than 1.5 times the vent diameter.



**FIGURE A.12.13.4** Locations for Barometric Draft Regulators.



**FIGURE A.12.9** Exit Terminals of Mechanical Draft and Direct Vent Venting Systems.

## Annex B Coordination of Appliance and Equipment Design, Construction, and Maintenance

*This annex is not a part of the requirements of this NFPA document but is included for informational purposes only.*

### B.1 Coordination.

**B.1.1** Because industrial gas applications are so varied in nature, many agencies are jointly involved with their safe and satisfactory use. Prior to installation, the specific assignments should be agreed upon by the parties concerned. A typical, but not mandatory, delineation of assignments is given in B.1.2 through B.1.5, and a detailed checklist is given in Section B.2.

**B.1.2** The person or agency planning an installation of appliances and equipment does the following:

- (1) Verifies the adequacy of the gas supply, volume, pressure, and meter location
- (2) Determines suitability of gas for the process
- (3) Notifies gas suppliers of significant changes in requirements

**B.1.3** Upon request, the gas supplier furnishes the user complete information on the following:

- (1) Combustion characteristics and physical or chemical properties such as specific gravity, heating value, pressure, and the approximate analysis of the gas
- (2) Conditions under which an adequate supply of gas at suitable pressure can be brought to the site
- (3) Continuity of the gas supply

**B.1.4** The appliance or equipment manufacturer or builder provides the following:

- (1) Design and construction of all appliances or equipment or assemblies shipped from its plant
- (2) Design and construction of all appliances or equipment fabricated, erected, or assembled by the appliances or equipment manufacturer or builder in the field
- (3) A statement of the maximum hourly Btu input, type of gas, and design pressure range
- (4) Written installation and operating instructions for the user

**B.1.5** The person or agency installing the appliances or equipment and the person or agency authorizing the installation of appliances or equipment (purchaser) jointly should do the following:

- (1) Select, erect, or assemble appliances and equipment, components, or designs purchased or developed by that person or agency
- (2) Ensure conformance to codes, ordinances, or regulations applicable to the installation
- (3) Provide adequate means of disposal of products of combustion
- (4) Initially operate the appliances or equipment in a safe manner

### B.2 Appliance and Equipment Design and Construction Checklist.

**B.2.1** The basic design and installation should consider the following:

- (1) Suitability of appliance and equipment for process requirements
- (2) Adequate structural strength and stability
- (3) Reasonable life expectancy
- (4) Conformance to existing safety standards

- (5) Adequate combustion space and venting
- (6) Means for observation and inspection of combustion

**B.2.2** Materials of construction used, other than pipe, fittings, and valves, should provide reasonable life expectancy for the service intended and should be capable of satisfactorily withstanding the following:

- (1) Operating temperatures
- (2) Chemical action
- (3) Thermal shock
- (4) Load stresses

**B.2.3** Combustion systems should be selected for the characteristics of the available gas so that they operate properly at the elevation at point of use and produce the following:

- (1) Proper heat distribution
- (2) Adequate operating temperature range
- (3) Suitable flame geometry
- (4) Flame stability
- (5) Operating flexibility
- (6) Desired heating chamber atmosphere

**B.2.4** Pipe, fittings, and valves should conform to applicable American National Standards as indicated in Section 5.6. Piping, bushings, and material in fittings should not be selected or used until the following factors have been considered:

- (1) Correct size to handle required volume (consideration of pressure drop in controls and manifolds is particularly important in low-pressure systems)
- (2) Material specifications suitable for pressures and temperatures encountered
- (3) Adequate supports and protection against physical damage
- (4) Tight assembly and thorough leak inspection
- (5) Use of sufficient unions and flanges, where permitted, for convenient field replacement or repair
- (6) Arrangement of piping to provide accessibility for appliance and equipment adjustments and freedom from thermal damage

**B.2.5** Information concerning the characteristics of the gas and electricity available at the point of utilization should be specific and complete. Gas controls and electrical systems should be selected to conform to these characteristics, which include the following:

- (1) Gas characteristics: Heat content, pressure, specific gravity, and approximate analysis
- (2) Electrical characteristics: Voltages, number of phases, and frequencies for both control and power circuits
- (3) Location of electrical equipment and wiring to avoid thermal damage and excessive concentrations of dust, dirt, or foreign material
- (4) Requirements of applicable electrical codes and standards, with particular reference to *NFPA 70, National Electrical Code*

**B.2.6** Temperature controls, if used, should be selected, with consideration of the following:

- (1) Range and type of instruments and sensing elements
- (2) Type of control action
- (3) Suitability for service required
- (4) Correlation of control instruments with operating equipment

**B.2.7** In enclosed chambers, the accumulation of gas-air or solvent-air mixtures that can be accidentally ignited constitutes a potential hazard to life and property. For this reason, consideration should be given to the selection and installation

of suitable protective equipment. The selection of a satisfactory protective system and components not otherwise covered by existing codes or standards should be based on the requirements of each individual installation after consultation with the various interested parties, including the user, designer, insurance company, and local authorities having jurisdiction. Factors and considerations involved in the selection of protective equipment include the following:

- (1) Feasibility of its installation
- (2) Its adaptability to process and control requirements
- (3) Conformance to existing standards, ordinances, requirements, and other regulations that apply (*See Annex M for the listing of standards and specifications.*)

### B.3 Maintenance of Appliances and Equipment.

**B.3.1** These recommendations are prepared for maintenance of appliances and equipment. Special types of appliances and equipment demand special attention.

**B.3.2** Burners and pilots should be kept clean and in proper operating condition. Burner refractory parts should be examined at frequent regular intervals to ensure good condition.

**B.3.3** Where automatic flame safeguards are used, a complete shutdown and restart should be made at frequent intervals to check the components for proper operation.

#### B.3.4 Other Safeguard Equipment.

**B.3.4.1** Accessory safeguard equipment, such as manual reset valves with pressure or vacuum switches, high-temperature limit switches, draft controls, shutoff valves, airflow switches, door switches, and gas valves, should be operated at frequent regular intervals to ensure proper functioning. If inoperative, they should be repaired or replaced promptly.

**B.3.4.2** Where firechecks are installed in gas-air mixture piping to prevent flashbacks from traveling farther upstream, the pressure loss across the firechecks should be measured at regular intervals. When excessive pressure loss is found, screens should be removed and cleaned. Water-type backfire checks should be inspected at frequent regular intervals and liquid level maintained.

**B.3.4.3** All safety shutoff valves should be checked for leakage and proper operation at frequent regular intervals.

#### B.3.5 Auxiliary Devices.

**B.3.5.1** A necessary part of the appliance or equipment maintenance is the proper maintenance of auxiliary devices. Maintenance instructions as supplied by the manufacturers of these devices should be followed.

**B.3.5.2** Gas combustion systems, including blowers, mechanical mixers, control valves, temperature control instruments, air valves, and air filters, should be kept clean and should be examined at frequent regular intervals.

**B.3.5.3** Necessary repairs and replacements should be made promptly.

**B.3.6** Regulator and zero governor vents and impulse or control piping and tubing should be kept clear. Regulator valves that operate improperly should be cleaned, repaired, or replaced promptly.

**B.3.7** A necessary part of the appliance or equipment maintenance is the proper maintenance of the gas piping system. It is recommended that gas piping be inspected and tested for

leakage at regular intervals in accordance with the provisions of 8.1.5. Air piping should be kept internally clean to prevent accumulation of dust, lint, and grease in air jets and valves. Where conditions warrant, filters should be installed at the intake to the fans.

**B.3.8** Standby or substitute fuel equipment and systems for appliances or equipment should be kept in good operating condition and tested periodically.

**B.3.9** An adequate supply of repair parts should be maintained.

## Annex C Sizing and Capacities of Gas Piping

*This annex is not a part of the requirements of this NFPA document but is included for informational purposes only.*

**C.1 Sizing Factors.** The first goal of determining the pipe sizing of a fuel gas piping system is to be assured that the gas pressure at the inlet to each appliance is sufficient. The majority of systems are residential, and the appliances all have the same, or nearly the same, requirement for minimum gas pressure at the appliance inlet. This pressure is about 5 in. (1.2 kPa) w.c., which is enough for proper operation of the appliance regulator to deliver about 3.5 in. (0.87 kPa) w.c. to the burner itself. The pressure drop in the piping is subtracted from the source delivery pressure to verify that the minimum is available at the appliance.

There are other systems, however, where the required inlet pressure to the different appliances may be quite varied. In such cases, the greatest inlet pressure required must be satisfied, as well as the farthest appliance, which is almost always the critical appliance in small systems.

There is an additional requirement to be observed besides the capacity of the system at 100 percent flow. That requirement is that at minimum flow, the pressure at the inlet to any appliance does not exceed the pressure rating of the appliance regulator. This factor would seldom be of concern in small systems if the source pressure is ½ psi (14 in. w.c.) (3.4 kPa) or less, but it should be verified for systems with greater gas pressure at the point of supply.

**C.2 General Pipe Sizing Considerations.** To determine the size of piping used in a gas piping system, the following factors must be considered:

- (1) Allowable loss in pressure from point of delivery to appliance
- (2) Maximum gas demand
- (3) Length of piping and number of fittings
- (4) Specific gravity of the gas
- (5) Diversity factor

For any gas piping system, or special appliance, or for conditions other than those covered by the tables provided in this code, such as longer runs, greater gas demands, or greater pressure drops, the size of each gas piping system should be determined by standard engineering practices acceptable to the authority having jurisdiction.

### C.3 Description of Tables.

**C.3.1 General.** The quantity of gas to be provided at each outlet should be determined, whenever possible, directly from the manufacturer's gas input Btu/hr rating of the appliance to be installed. In case the ratings of the appliances to be installed are not known, Table 5.4.2.1 shows the approximate consumption (in Btu per hour) of certain types of typical household appliances.







To obtain the cubic feet per hour of gas required, divide the total Btu/hr input of all appliances by the average Btu heating value per cubic foot of the gas. The average Btu per cubic foot of the gas in the area of the installation can be obtained from the serving gas supplier.

**C.3.2 Low-Pressure Natural Gas Tables.** Capacities for gas at low pressure [2.0 psi (14 kPa gauge) or less] in cubic feet per hour of 0.60 specific gravity gas for different sizes and lengths are shown in Table 6.2(a) and Table 6.2(b) for iron pipe or equivalent rigid pipe, in Table 6.2(f) through Table 6.2(h) for smooth wall semirigid tubing, and in Table 6.2(m) and Table 6.2(o) for corrugated stainless steel tubing. Table 6.2(a) and Table 6.2(f) are based on a pressure drop of 0.3 in. w.c. (75 Pa), whereas Table 6.2(b), Table 6.2(g), and Table 6.2(m)

are based on a pressure drop of 0.5 in. w.c. (125 Pa). Table 6.2(h), Table 6.2(n), and Table 6.2(o) are special low-pressure applications based on pressure drops greater than 0.5 in. w.c. (125 Pa). In using Table 6.2(h), Table 6.2(n), or Table 6.2(o), an allowance (in equivalent length of pipe) should be considered for any piping run with four or more fittings (see Table C.3.2).

**C.3.3 Undiluted LP-Gas Tables.** Capacities in thousands of Btu per hour of undiluted LP-Gases based on a pressure drop of 0.5 in. w.c. (125 Pa) for different sizes and lengths are shown in Table 6.3(d) for iron pipe or equivalent rigid pipe, in Table 6.3(f) for smooth wall semirigid tubing, in Table 6.3(h) for corrugated stainless steel tubing, and in Table 6.3(k) and Table 6.3(m) for polyethylene plastic pipe and tubing. Table 6.3(i) and Table 6.3(j) for corrugated

**Table C.3.2 Equivalent Lengths of Pipe Fittings and Valves**

		Screwed Fittings <sup>1</sup>				90° Welding Elbows and Smooth Bends <sup>2</sup>					
		45°/El	90°/El	180° Close Return Bends	Tee	R/d = 1	R/d = 1 1/3	R/d = 2	R/d = 4	R/d = 6	R/d = 8
		<i>k</i> factor =	0.42	0.90	2.00	1.80	0.48	0.36	0.27	0.21	0.27
<i>L/d</i> ratio <sup>4</sup> <i>n</i> =		14	30	67	60	16	12	9	7	9	12
Nominal Pipe Size (in.)	Inside Diam. <i>d</i> (in.), Sched. 40 <sup>6</sup>										
<i>L</i> = Equivalent Length in Feet of Schedule 40 (Standard Weight) Straight Pipe <sup>6</sup>											
1/2	0.622	0.73	1.55	3.47	3.10	0.83	0.62	0.47	0.36	0.47	0.62
3/4	0.824	0.96	2.06	4.60	4.12	1.10	0.82	0.62	0.48	0.62	0.82
1	1.049	1.22	2.62	5.82	5.24	1.40	1.05	0.79	0.61	0.79	1.05
1 1/4	1.380	1.61	3.45	7.66	6.90	1.84	1.38	1.03	0.81	1.03	1.38
1 1/2	1.610	1.88	4.02	8.95	8.04	2.14	1.61	1.21	0.94	1.21	1.61
2	2.067	2.41	5.17	11.5	10.3	2.76	2.07	1.55	1.21	1.55	2.07
2 1/2	2.469	2.88	6.16	13.7	12.3	3.29	2.47	1.85	1.44	1.85	2.47
3	3.068	3.58	7.67	17.1	15.3	4.09	3.07	2.30	1.79	2.30	3.07
4	4.026	4.70	10.1	22.4	20.2	5.37	4.03	3.02	2.35	3.02	4.03
5	5.047	5.88	12.6	28.0	25.2	6.72	5.05	3.78	2.94	3.78	5.05
6	6.065	7.07	15.2	33.8	30.4	8.09	6.07	4.55	3.54	4.55	6.07
8	7.981	9.31	20.0	44.6	40.0	10.6	7.98	5.98	4.65	5.98	7.98
10	10.02	11.7	25.0	55.7	50.0	13.3	10.0	7.51	5.85	7.51	10.0
12	11.94	13.9	29.8	66.3	59.6	15.9	11.9	8.95	6.96	8.95	11.9
14	13.13	15.3	32.8	73.0	65.6	17.5	13.1	9.85	7.65	9.85	13.1
16	15.00	17.5	37.5	83.5	75.0	20.0	15.0	11.2	8.75	11.2	15.0
18	16.88	19.7	42.1	93.8	84.2	22.5	16.9	12.7	9.85	12.7	16.9
20	18.81	22.0	47.0	105	94.0	25.1	18.8	14.1	11.0	14.1	18.8
24	22.63	26.4	56.6	126	113	30.2	22.6	17.0	13.2	17.0	22.6

stainless steel tubing and Table 6.3(l) for polyethylene plastic pipe are based on operating pressures greater than 0.5 psi (3.5 kPa) and pressure drops greater than 0.5 in. w.c. (125 Pa). In using these tables, an allowance (in equivalent length of pipe) should be considered for any piping run with four or more fittings (see Table C.3.2).












**C.3.4 Natural Gas Specific Gravity.** Gas piping systems that are to be supplied with gas of a specific gravity of 0.70 or less can be sized directly from the tables provided in this code, unless the authority having jurisdiction specifies that a gravity factor be applied. Where the specific gravity of the gas is greater than 0.70, the gravity factor should be applied.

Application of the gravity factor converts the figures given in the tables provided in this code to capacities for another gas

of different specific gravity. Such application is accomplished by multiplying the capacities given in the tables by the multipliers shown in Table C.3.4. In case the exact specific gravity does not appear in the table, choose the next higher value specific gravity shown.

**C.3.5 Higher Pressure Natural Gas Tables.** Capacities for gas at pressures of 2 psi and greater in cubic feet per hour of 0.60 specific gravity gas for different sizes and lengths are shown in Table 6.2(c) and Table 6.2(d) for iron pipe or equivalent rigid pipe, Table 6.2(j) through Table 6.2(l) for semirigid tubing, Table 6.2(p) and Table 6.2(q) for corrugated stainless steel tubing, and Table 6.2(s) and Table 6.2(t) for polyethylene plastic pipe.

**Table C.3.2 Continued**

Miter Elbows <sup>3</sup> (No. of Miters)					Welding Tees		Valves (Screwed, Flanged, or Welded)			
1-45°	1-60°	1-90°	2-90°	3-90°	Forged	Miter <sup>3</sup>	Gate	Globe	Angle	Swing Check
0.45	0.90	1.80	0.60	0.45	1.35	1.80	0.21	10	5.0	2.5
15	30	60	20	15	45	60	7	333	167	83
										
<b>L = Equivalent Length in Feet of Schedule 40 (Standard Weight) Straight Pipe<sup>6</sup></b>										
0.78	1.55	3.10	1.04	0.78	2.33	3.10	0.36	17.3	8.65	4.32
1.03	2.06	4.12	1.37	1.03	3.09	4.12	0.48	22.9	11.4	5.72
1.31	2.62	5.24	1.75	1.31	3.93	5.24	0.61	29.1	14.6	7.27
1.72	3.45	6.90	2.30	1.72	5.17	6.90	0.81	38.3	19.1	9.58
2.01	4.02	8.04	2.68	2.01	6.04	8.04	0.94	44.7	22.4	11.2
2.58	5.17	10.3	3.45	2.58	7.75	10.3	1.21	57.4	28.7	14.4
3.08	6.16	12.3	4.11	3.08	9.25	12.3	1.44	68.5	34.3	17.1
3.84	7.67	15.3	5.11	3.84	11.5	15.3	1.79	85.2	42.6	21.3
5.04	10.1	20.2	6.71	5.04	15.1	20.2	2.35	112	56.0	28.0
6.30	12.6	25.2	8.40	6.30	18.9	25.2	2.94	140	70.0	35.0
7.58	15.2	30.4	10.1	7.58	22.8	30.4	3.54	168	84.1	42.1
9.97	20.0	40.0	13.3	9.97	29.9	40.0	4.65	222	111	55.5
12.5	25.0	50.0	16.7	12.5	37.6	50.0	5.85	278	139	69.5
14.9	29.8	59.6	19.9	14.9	44.8	59.6	6.96	332	166	83.0
16.4	32.8	65.6	21.9	16.4	49.2	65.6	7.65	364	182	91.0
18.8	37.5	75.0	25.0	18.8	56.2	75.0	8.75	417	208	104
21.1	42.1	84.2	28.1	21.1	63.2	84.2	9.85	469	234	117
23.5	47.0	94.0	31.4	23.5	70.6	94.0	11.0	522	261	131
28.3	56.6	113	37.8	28.3	85.0	113	13.2	629	314	157

For SI units, 1 ft = 0.305 m.

Note: Values for welded fittings are for conditions where bore is not obstructed by weld spatter or backing rings. If appreciably obstructed, use values for "Screwed Fittings."

<sup>1</sup>Flanged fittings have three-fourths the resistance of screwed elbows and tees.

<sup>2</sup>Tabular figures give the extra resistance due to curvature alone to which should be added the full length of travel.

<sup>3</sup>Small size socket-welding fittings are equivalent to miter elbows and miter tees.

<sup>4</sup>Equivalent resistance in number of diameters of straight pipe computed for a value of  $f = 0.0075$  from the relation  $n = k/4f$ .

<sup>5</sup>For condition of minimum resistance where the centerline length of each miter is between  $d$  and  $2\frac{1}{2}d$ .

<sup>6</sup>For pipe having other inside diameters, the equivalent resistance may be computed from the above  $n$  values.

Source: From *Piping Handbook*, Table XIV, pp. 100-101. Used by permission of McGraw-Hill Book Company.



**Table C.3.4 SPECIAL USE: Multipliers to Be Used with Tables 6.2(a) Through 6.2(v) When the Specific Gravity of the Gas Is Other than 0.60**

Specific Gravity	Multiplier	Specific Gravity	Multiplier
0.35	1.31	1.00	0.78
0.40	1.23	1.10	0.74
0.45	1.16	1.20	0.71
0.50	1.10	1.30	0.68
0.55	1.04	1.40	0.66
0.60	1.00	1.50	0.63
0.65	0.96	1.60	0.61
0.70	0.93	1.70	0.59
0.75	0.90	1.80	0.58
0.80	0.87	1.90	0.56
0.85	0.84	2.00	0.55
0.90	0.82	2.10	0.54

#### C.4 Use of Capacity Tables.

**C.4.1 The Longest Length Method.** This sizing method is conservative in its approach by applying the maximum operating conditions in the system as the norm for the system and by setting the length of pipe used to size any given part of the piping system to the maximum value.

To determine the size of each section of gas piping in a system within the range of the capacity tables, proceed as follows (*also see sample calculations included in this annex*):

- (1) Divide the piping system into appropriate segments consistent with the presence of tees, branch lines, and main runs. For each segment, determine the gas load (assuming all appliances operate simultaneously) and its overall length. An allowance (in equivalent length of pipe) as determined from Table C.3.2 shall be considered for piping segments that include four or more fittings.
- (2) Determine the gas demand of each appliance to be attached to the piping system. Where Table 6.2(a) through Table 6.2(v) are to be used to select the piping size, calculate the gas demand in terms of cubic feet per hour for each piping system outlet. Where Table 6.3(a) through Table 6.3(m) are to be used to select the piping size, calculate the gas demand in terms of thousands of Btu per hour for each piping system outlet.
- (3) Where the piping system is for use with other than undiluted LP-Gases, determine the design system pressure, the allowable loss in pressure (pressure drop), and specific gravity of the gas to be used in the piping system.
- (4) Determine the length of piping from the point of delivery to the most remote outlet in the building/piping system.
- (5) In the appropriate capacity table, select the row showing the measured length or the next longer length if the table does not give the exact length. This length is the only length used in determining the size of any section of gas piping. If the gravity factor is to be applied, the values in the selected row of the table are multiplied by the appropriate multiplier from Table C.3.4.
- (6) Use this horizontal row to locate ALL gas demand figures for this particular system of piping.
- (7) Starting at the most remote outlet, find the gas demand for that outlet in the horizontal row just selected. If the exact figure of demand is not shown, choose the next larger figure left in the row.

- (8) Opposite this demand figure, in the first row at the top, the correct size of gas piping will be found.
- (9) Proceed in a similar manner for each outlet and each section of gas piping. For each section of piping, determine the total gas demand supplied by that section.

When a large number of piping components (such as elbows, tees, and valves) are installed in a pipe run, additional pressure loss can be accounted for by the use of equivalent lengths. Pressure loss across any piping component can be equated to the pressure drop through a length of pipe. The equivalent length of a combination of only four elbows/tees can result in a jump to the next larger length row, resulting in a significant reduction in capacity. The equivalent lengths in feet shown in Table C.3.2 have been computed on a basis that the inside diameter corresponds to that of Schedule 40 (standard weight) steel pipe, which is close enough for most purposes involving other schedules of pipe. Where a more specific solution for equivalent length is desired, this may be made by multiplying the actual inside diameter of the pipe in inches by  $n/12$ , or the actual inside diameter in feet by  $n$ .  $N$  can be read from the table heading. The equivalent length values can be used with reasonable accuracy for copper or brass fittings and bends, although the resistance per foot of copper or brass pipe is less than that of steel. For copper or brass valves, however, the equivalent length of pipe should be taken as 45 percent longer than the values in the table, which are for steel pipe.

**C.4.2 The Branch Length Method.** This sizing method reduces the amount of conservatism built into the traditional Longest Length Method. The longest length as measured from the meter to the farthest remote appliance is used only to size the initial parts of the overall piping system. The Branch Length Method is applied in the following manner:

- (1) Determine the gas load for each of the connected appliances.
- (2) Starting from the meter, divide the piping system into a number of connected segments, and determine the length and amount of gas that each segment would carry assuming that all appliances were operated simultaneously. An allowance (in equivalent length of pipe) as determined from Table C.3.2 should be considered for piping segments that include four or more fittings.
- (3) Determine the distance from the outlet of the gas meter to the appliance farthest removed from the meter.
- (4) Using the longest distance (found in Step 3), size each piping segment from the meter to the most remote appliance outlet.
- (5) For each of these piping segments, use the longest length and the calculated gas load for all of the connected appliances for the segment and begin the sizing process in Steps 6 through 8.
- (6) Referring to the appropriate sizing table (based on operating conditions and piping material), find the longest length distance in the first column or the next larger distance if the exact distance is not listed. The use of alternative operating pressures and/or pressure drops requires the use of a different sizing table but does not alter the sizing methodology. In many cases, the use of alternative operating pressures and/or pressure drops requires the approval of both the authority having jurisdiction and the local gas serving utility.
- (7) Trace across this row until the gas load is found or the closest larger capacity if the exact capacity is not listed.
- (8) Read up the table column and select the appropriate pipe size in the top row. Repeat Steps 6, 7, and 8 for each pipe segment in the longest run.



- (9) Size each remaining section of branch piping not previously sized by measuring the distance from the gas meter location to the most remote outlet in that branch, using the gas load of attached appliances, and follow the procedures of Steps 2 through 8.

**C.4.3 Hybrid Pressure Method.** The sizing of a 2 psi (14 kPa) gas piping system is performed using the traditional Longest Length Method but with modifications. The 2 psi (14 kPa) system consists of two independent pressure zones, and each zone is sized separately. The Hybrid Pressure Method is applied using the following steps.

The 2 psi (14 kPa) section (from the meter to the line regulator) is sized as follows:

- (1) Calculate the gas load (by adding up the nameplate ratings) from all connected appliances. (In certain circumstances the installed gas load may be increased up to 50 percent to accommodate future addition of appliances.) Ensure that the line regulator capacity is adequate for the calculated gas load and that the required pressure drop (across the regulator) for that capacity does not exceed  $\frac{3}{4}$  psi (5.2 kPa) for a 2 psi (14 kPa) system. If the pressure drop across the regulator is too high (for the connected gas load), select a larger regulator.
- (2) Measure the distance from the meter to the line regulator located inside the building.
- (3) If multiple line regulators are used, measure the distance from the meter to the regulator farthest removed from the meter.
- (4) The maximum allowable pressure drop for the 2 psi (14 kPa) section is 1 psi (7 kPa).
- (5) Referring to the appropriate sizing table (based on piping material) for 2 psi (14 kPa) systems with a 1 psi (7 kPa) pressure drop, find this distance in the first column, or the closest larger distance if the exact distance is not listed.
- (6) Trace across this row until the gas load is found or the closest larger capacity if the exact capacity is not listed.
- (7) Read up the table column to the top row and select the appropriate pipe size.
- (8) If multiple regulators are used in this portion of the piping system, each line segment must be sized for its actual gas load, using the longest length previously determined.

The low-pressure section (all piping downstream of the line regulator) is sized as follows:

- (1) Determine the gas load for each of the connected appliances.
- (2) Starting from the line regulator, divide the piping system into a number of connected segments and/or independent parallel piping segments and determine the amount of gas that each segment would carry assuming that all appliances were operated simultaneously. An allowance (in equivalent length of pipe) as determined from Table C.3.2 should be considered for piping segments that include four or more fittings.
- (3) For each piping segment, use the actual length or longest length (if there are sub-branch lines) and the calculated gas load for that segment and begin the sizing process as follows:
  - (a) Referring to the appropriate sizing table (based on operating pressure and piping material), find the longest length distance in the first column or the closest larger distance if the exact distance is not listed. The use of alternative operating pressures and/or pressure drops requires the use of a different sizing table but does not alter the sizing methodology. In many cases, the use of alternative operating pressures

and/or pressure drops may require the approval of the authority having jurisdiction.

- (b) Trace across this row until the appliance gas load is found or the closest larger capacity if the exact capacity is not listed.
- (c) Read up the table column to the top row and select the appropriate pipe size.
- (d) Repeat this process for each segment of the piping system.

**C.4.4 Pressure Drop per 100 ft Method.** This sizing method is less conservative than the others, but it allows the designer to immediately see where the largest pressure drop occurs in the system. With this information, modifications can be made to bring the total drop to the critical appliance within the limitations that are presented to the designer.

Follow the procedures described in the Longest Length Method for steps (1) through (4) and step (9).

For each piping segment, calculate the pressure drop based on pipe size, length as a percentage of 100 ft, and gas flow. Table C.4.4 shows pressure drop per 100 ft for pipe sizes from  $\frac{1}{2}$  in. through 2 in. The sum of pressure drops to the critical appliance is subtracted from the supply pressure to verify that sufficient pressure is available. If not, the layout can be examined to find the high drop section(s), and sizing selections modified.

**C.5 Use of Sizing Equations.** Capacities of smooth wall pipe or tubing can also be determined by using the following formulas:

- (1) *High Pressure* [1.5 psi (10.3 kPa) and above]:

$$Q = 181.6 \sqrt{\frac{D^5 \cdot (P_1^2 - P_2^2) \cdot Y}{Cr \cdot fba \cdot L}}$$

$$= 2237D^{2.623} \left[ \frac{(P_1^2 - P_2^2) \cdot Y}{Cr \cdot L} \right]^{0.541}$$

- (2) *Low Pressure* [less than 1.5 psi (10.3 kPa)]:

$$Q = 187.3 \sqrt{\frac{D^5 \cdot \Delta H}{Cr \cdot fba \cdot L}}$$

$$= 2313D^{2.623} \left( \frac{\Delta H}{Cr \cdot L} \right)^{0.541}$$

where:

$Q$  = rate (cubic feet per hour at 60°F and 30 in. mercury column)

$D$  = inside diameter of pipe (in.)

$P_1$  = upstream pressure (psia)

$P_2$  = downstream pressure (psia)

$Y$  = superexpansibility factor =  
1/supercompressibility factor

$Cr$  = factor for viscosity, density, and temperature

$fba$  = base friction factor for air at 60°F (CF = 1)

$L$  = length of pipe (ft)

$H$  = pressure drop [in. w.c. (27.7 in. H<sub>2</sub>O = 1 psi) =  
0.00354  $ST(Z/S)^{0.152}$ ]

$S$  = specific gravity of gas at 60°F and 30 in. mercury column (0.60 for natural gas, 1.53 for propane)

$T$  = absolute temperature (°F or =  $t + 460$ )

$Z$  = viscosity of gas [centipoise (0.012 for natural gas,  
0.008 for propane), or = 1488]

$t$  = temperature (°F)

See Table 6.4.2 for values of  $Cr$  and  $Y$  for natural gas and propane.

**Table C.4.4** Thousands of Btu/hr of Natural Gas per 100 ft of Pipe at Various Pressure Drops and Pipe Diameters

Press. Drop/100 ft (in. w.c.)	Pipe Sizes (in.)					
	½	¾	1	1¼	1½	2
0.2	31	64	121	248	372	716
0.3	38	79	148	304	455	877
0.5	50	104	195	400	600	1160
1.0	71	147	276	566	848	1640

Note: Other values can be obtained using the following equation:

$$\text{Desired Value} = \text{thousands of Btu/hr} \times \sqrt{\frac{\text{Desired Drop}}{\text{Table Drop}}}$$

For example, if it is desired to get flow through ¾ in. pipe at 2 in. w.c./100 ft, multiply the capacity of ¾ in. pipe at 1 in./100 ft by the square root of the pressure ratio:

$$147,000 \text{ Btu/hr} \times \sqrt{\frac{2 \text{ in. w.c.}}{1 \text{ in. w.c.}}} = 147,000 \times 1.414 = 208,000 \text{ Btu/hr}$$

**C.6 Pipe and Tube Diameters.** Where the internal diameter is determined by the formulas in Section 6.4, Table C.6(a) and Table C.6(b) can be used to select the nominal or standard pipe size based on the calculated internal diameter.

**Table C.6(a)** Schedule 40 Steel Pipe Standard Sizes

Nominal Size (in.)	Internal Diameter (in.)	Nominal Size (in.)	Internal Diameter (in.)
¼	0.364	1½	1.610
⅜	0.493	2	2.067
½	0.622	2½	2.469
¾	0.824	3	3.068
1	1.049	3½	3.548
1¼	1.380	4	4.026

**C.7 Use of Sizing Charts.** A third method of sizing gas piping is detailed here as a useful option when large quantities of piping are involved in a job (e.g., an apartment house) and material costs are of concern. If the user is not completely familiar with this method, the resulting pipe sizing should be checked by a knowledgeable gas engineer. The sizing charts are applied as follows:

- (1) With the layout developed according to Section 5.1 of the code, indicate in each section the *design gas flow* under maximum operation conditions. For many layouts, the maximum design flow is the sum of all connected loads. However, in some cases, certain combinations of appliances do not occur simultaneously (e.g., gas heating and air conditioning). For these cases, the design flow is the greatest gas flow that can occur at any one time.
- (2) Determine the *inlet gas pressure* for the system being designed. In most cases, the point of inlet is the gas meter or service regulator, but in the case of a system addition, it could be the point of connection to the existing system.

**Table C.6(b)** Copper Tube Standard Sizes

Tube Type	Nominal or Standard Size (in.)	Internal Diameter (in.)	Tube Type	Nominal or Standard Size (in.)	Internal Diameter (in.)
K	¼	0.305	K	1	0.995
L	¼	0.315	L	1	1.025
ACR (D)	⅜	0.315	ACR (D,A)	1½	1.025
ACR (A)	⅜	0.311	K	1¼	1.245
K	⅜	0.402	L	1¼	1.265
L	⅜	0.430	ACR (D,A)	1¾	1.265
ACR (D)	½	0.430	K	1½	1.481
ACR (A)	½	0.436	L	1½	1.505
K	½	0.527	ACR (D,A)	1⅝	1.505
L	½	0.545	K	2	1.959
ACR (D)	⅝	0.545	L	2	1.985
ACR (A)	⅝	0.555	ACR (D,A)	2⅝	1.985
K	⅝	0.652	K	2½	2.435
L	⅝	0.666	L	2½	2.465
ACR (D)	¾	0.666	ACR (D,A)	2¾	2.465
ACR (A)	¾	0.680	K	3	2.907
K	¾	0.745	L	3	2.945
L	¾	0.785	ACR (D,A)	3⅜	2.945
ACR (D,A)	⅞	0.785			