

---

---

**Automation systems and  
integration — Physical device  
control — Data model for  
computerized numerical  
controllers —**

**Part 13:  
Process data for wire electrical  
discharge machining (wire-EDM)**

*Systèmes d'automatisation et intégration — Commande des  
dispositifs physiques — Modèle de données pour les contrôleurs  
numériques informatisés —*

*Partie 13: Données de procédé pour l'usinage de fils électriques (fils  
EDM)*



STANDARDSISO.COM : Click to view the full PDF of ISO 14649-13:2013



**COPYRIGHT PROTECTED DOCUMENT**

© ISO 2013

All rights reserved. Unless otherwise specified, no part of this publication may be reproduced or utilized otherwise in any form or by any means, electronic or mechanical, including photocopying, or posting on the internet or an intranet, without prior written permission. Permission can be requested from either ISO at the address below or ISO's member body in the country of the requester.

ISO copyright office  
Case postale 56 • CH-1211 Geneva 20  
Tel. + 41 22 749 01 11  
Fax + 41 22 749 09 47  
E-mail [copyright@iso.org](mailto:copyright@iso.org)  
Web [www.iso.org](http://www.iso.org)

Published in Switzerland

# Contents

	Page
<b>Foreword</b> .....	<b>iv</b>
<b>Introduction</b> .....	<b>v</b>
<b>1 Scope</b> .....	<b>1</b>
<b>2 Normative references</b> .....	<b>1</b>
<b>3 Terms and definitions</b> .....	<b>1</b>
<b>4 Process data for wire-EDM</b> .....	<b>2</b>
4.1 Header and references.....	2
4.2 Manufacturing features for wire-EDM.....	2
4.3 Additional types and entities.....	7
4.4 Machining operation for wire-EDM.....	8
<b>Annex A (informative) EXPRESS listing</b> .....	<b>15</b>
<b>Annex B (informative) EXPRESS-G</b> .....	<b>18</b>
<b>Annex C (informative) Simple wire-EDM example 1</b> .....	<b>27</b>
<b>Annex D (informative) Simple wire-EDM example 2</b> .....	<b>30</b>
<b>Bibliography</b> .....	<b>33</b>

STANDARDSISO.COM : Click to view the full PDF of ISO 14649-13:2013

## Foreword

ISO (the International Organization for Standardization) is a worldwide federation of national standards bodies (ISO member bodies). The work of preparing International Standards is normally carried out through ISO technical committees. Each member body interested in a subject for which a technical committee has been established has the right to be represented on that committee. International organizations, governmental and non-governmental, in liaison with ISO, also take part in the work. ISO collaborates closely with the International Electrotechnical Commission (IEC) on all matters of electrotechnical standardization.

The procedures used to develop this document and those intended for its further maintenance are described in the ISO/IEC Directives, Part 1. In particular the different approval criteria needed for the different types of ISO documents should be noted. This document was drafted in accordance with the editorial rules of the ISO/IEC Directives, Part 2. [www.iso.org/directives](http://www.iso.org/directives)

Attention is drawn to the possibility that some of the elements of this document may be the subject of patent rights. ISO shall not be held responsible for identifying any or all such patent rights. Details of any patent rights identified during the development of the document will be in the Introduction and/or on the ISO list of patent declarations received. [www.iso.org/patents](http://www.iso.org/patents)

Any trade name used in this document is information given for the convenience of users and does not constitute an endorsement.

The committee responsible for this document is Technical Committee ISO/TC 184, *Automation systems and integration*, Subcommittee SC 1, *Physical device control*.

ISO 14649 consists of the following parts, under the general title *Automation systems and integration — Physical device control — Data model for computerized numerical controllers*:

- *Part 1: Overview and fundamental principles*
- *Part 10: General process data*
- *Part 11: Process data for milling*
- *Part 12: Process data for turning*
- *Part 13: Process data for wire electrical discharge machining (wire-EDM)*
- *Part 14: Process data for sink electrical discharge machining (sink-EDM)*
- *Part 111: Tools for milling machines*
- *Part 121: Tools for turning machines*
- *Part 201: Machine tool data for cutting processes* [Technical Specification]

Gaps in numbering were intentionally left in order to allow further additions. ISO 14649-10 is the ISO 10303 Application Reference Model (ARM) for process-independent data. ISO 10303 ARMs for specific technologies are added after ISO 14649-10. ISO 14649 is harmonized with ISO 10303 in the common field of Product Data over the whole life cycle. ISO 14649-1 describes the different fields of standardization between ISO 14649, ISO 10303 and CNC manufacturers with respect to implementation and software development.

## Introduction

ISO 14649-10 describes the general process data for numerical controlled machining and includes its schema. The subject of this schema (called `machining_schema`) is the definition of data types, which are generally relevant for different technologies (e.g. milling, turning, wire-EDM). It includes the definition of the workpiece, a feature catalogue containing features, which might be referenced by several technologies, the general executables and the basis for an operation definition. Not included in this schema are geometric items and presentations, which are referenced from the generic resources of ISO 10303, and the technology-specific definitions, which are defined in separate parts of ISO 14649.

ISO 14649-10 is not a stand-alone standard. Its implementation needs at least one additional technology-specific part (e.g. ISO 14649-11 for milling). This part of ISO 14649 describes wire Electrical Discharging Machining (wire-EDM) and it defines technology-specific data types representing the machining process for wire-EDM.

The main text of this part of ISO 14649 provides definitions and explanations of the data entities needed to provide control data information to an EDM controller.

The EXPRESS forms of the entities are given again in [Annex A](#) without the explanatory text for information.

[Annex B](#) provides an alternative view of these entities, with the different figures showing graphical representations of different elements. These figures are purely informative: a detailed explanation of the entities in the figures is given in the corresponding text definitions in [Clause 4](#).

Two examples of ISO 14649 files, providing illustrations of possible uses, are given in [Annex C](#) and [Annex D](#).

In addition, the schema uses machining features similar to ISO 10303-224. The description of process data is carried out using EXPRESS language as defined in ISO 10303-11. The encoding of the data is carried out using ISO 10303-21.

[STANDARDSISO.COM](https://standardsiso.com) : Click to view the full PDF of ISO 14649-13:2013

# Automation systems and integration — Physical device control — Data model for computerized numerical controllers —

## Part 13:

# Process data for wire electrical discharge machining (wire-EDM)

## 1 Scope

This part of ISO 14649 specifies the technology-specific data element needed as process data for wire-EDM. Together with the general process data described in ISO 14649-10, it describes the interface between computerized numerical controller and the programming system (i.e. CAM system or shop-floor programming system) for wire-EDM. It can be used for wire-EDM operations on this kind of machine.

The scope of this part of ISO 14649 does not include tools for any other technologies (e.g. turning, grinding). Tools for these technologies are described in other parts of ISO 14649.

## 2 Normative references

The following documents, in whole or in part, are normatively referenced in this document and are indispensable for its application. For dated references, only the edition cited applies. For undated references, the latest edition of the referenced document (including any amendments) applies.

ISO 14649-10, *Industrial automation systems and integration — Physical device control — Data model for computerized numerical controllers — Part 10: General process data*

## 3 Terms and definitions

For the purposes of this document, the terms and definitions given in ISO 14649-10 and the following apply.

### 3.1

#### **roughing**

machining operation used to cut a part

Note 1 to entry: While the aim of roughing is to remove large quantities of material in a short time, the surface quality is usually not important.

Note 2 to entry: The roughing operation is usually followed by the *finishing* (3.2) operation.

### 3.2

#### **finishing**

machining operation whose aim is to reach the tolerance of the feature required

Note 1 to entry: The finishing operation is usually preceded by the *roughing* (3.1) operation and followed by the *surface finishing* (3.3) operation.

### 3.3

#### **surface finishing**

machining operation whose aim is to reach the required surface quality

Note 1 to entry: The surface finishing operation is usually preceded by the *finishing* (3.2) operation.

## 4 Process data for wire-EDM

### 4.1 Header and references

The following listing gives the header and the list of entities that are referenced within this schema.

```
SCHEMA wire_edm_schema;  
(*  
Version 5 of Feb 28, 2003  
Author: Gabor Erdos <gabor.erdos@epfl.ch>  
Modified by: Willy Maeder <wmaeder@cadcamation.ch>  
Jacques Richard <i-tech@eig.unige.ch>  
*)  
REFERENCE FROM machining_schema (*ISO 14649-10*)  
(  
bounded_curve,  
cartesian_point,  
direction,  
identifier,  
label,  
length_measure,  
machine_functions,  
machining_operation,  
machining_feature,  
machining_tool,  
material,  
pressure_measure,  
property_parameter,  
speed_measure,  
plane_angle_measure,  
technology,  
machining_strategy,  
toolpath_list  
);
```

### 4.2 Manufacturing features for wire-EDM

#### 4.2.1 General

The wire-EDM features defined in this subclause are the features that are specific for wire-EDM technology, and are not defined in ISO 14649-10. The base class for all wire-EDM features is the machining\_feature, defined in ISO 14649-10.

#### 4.2.2 General\_path

The most general 4-axis wire-EDM operation is a manufacturing feature described by a ruled surface, but in many cases a curve based feature description is sufficient. The general\_path feature is characterized by the fact that the tool movements are curve driven.

The general\_path feature can be specified in two ways:

- a) by one curve, an optional side angle and an optional transition type;
- b) defined by two synchronized curves.

```
ENTITY general_path  
SUPERTYPE OF (ONEOF(general_single_path, general_twin_path))  
SUBTYPE OF (machining_feature);  
END_ENTITY;
```

#### 4.2.3 General\_single\_path

The general\_single\_path (see [Figure 1](#)) is defined by a general 2D or 3D curve with a slope angle specification and some specific parameters. The 2-axis wire-EDM operation, which is very usual, is a particular case of general\_single\_path where the slope angle is equal to 0 degrees.



```

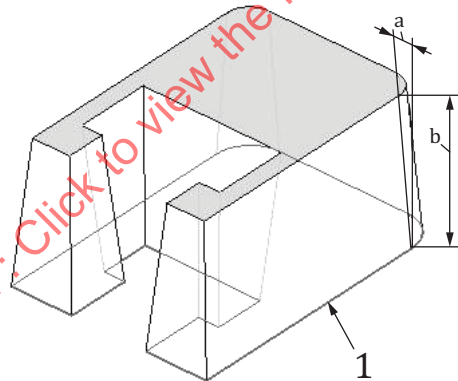
ENTITY general_single_path
SUBTYPE OF (general_path);
feature_principal_boundary: bounded_curve;
slope: OPTIONAL plane_angle_measure;
transition_types: OPTIONAL EDM_transition;
END_ENTITY;

```

**feature\_principal\_boundary:** The outline or shape that forms the principal edge of the general\_path. When travelling along the curve base as defined by its sense, the material lies on the left side of the curve according to the axis2\_placement\_3d orientation (i.e. when projecting the curve in the local xy plane). It is the axis2\_placement\_3d inherited from the machining\_feature that defines the local z-axis and the local xy plane. IF "x\_+3" "<Tbl\_no\_borders>" "" <Tbl\_no\_borders> IF "x\_-3" "</Tbl\_no\_borders>" "" </Tbl\_no\_borders>

**slope:** Optional angle of the border of the general\_path measured against the local z-axis. Default is 0 degree. Implicitly a secondary curve boundary is defined: this is done by extending a line from each point on the principal boundary curve, at the specified angle until it intersects the secondary local plane at the distance depth along the negative local z-axis. The shape of this implicit secondary boundary is also governed by the transition\_types.

**transition\_types:** The type of transition between non-tangent segments.



#### Key

- 1 feature\_principal\_boundary
- a slope
- b depth

**Figure 1 — General\_single\_path**

#### 4.2.4 General\_twin\_path

The general\_twin\_path is defined by two general 2D or 3D curves. The two curves are synchronized by the curve parameterization. This means that the side wall is defined by connecting the points on the principal and the secondary boundary curves corresponding to the same parameter value with a line. The depth attribute defined in the machining\_feature is not useful for this definition and is ignored.

```

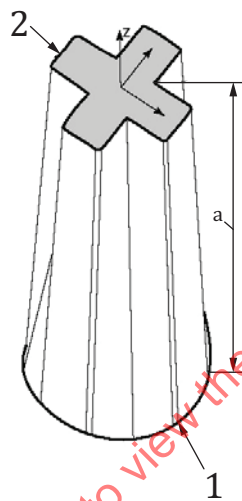
ENTITY general_twin_path
SUBTYPE OF (general_path);

```

```
feature_principal_boundary: bounded_curve;
feature_secondary_boundary: bounded_curve;
END_ENTITY;
```

feature\_principal\_boundary: The outline or shape that forms the principal edge of the general\_path. When travelling along the curve base as defined by its sense, the material lies on the left side of the curve according to the axis2\_placement\_3d defined in the machining\_feature (see [Figure 2](#)). IF "x\_+3" "<Tbl\_no\_borders>" "" <Tbl\_no\_borders> IF "x\_-3" "</Tbl\_no\_borders>" "" </Tbl\_no\_borders>

feature\_secondary\_boundary: The outline or shape that forms the secondary edge of the general\_path.



**Key**

- 1 feature\_principal\_boundary
- 2 feature\_secondary\_boundary
- a depth

**Figure 2 — General\_twin\_path**

**4.2.5 General\_path\_pocket**

This is the abstract base class for wire-EDM pockets. Derived from this base class are closed pockets and open pockets. The geometry of the pocket is defined with a general path. The pocket may possess one or more bosses.

```
ENTITY general_path_pocket
ABSTRACT SUPERTYPE OF (ONEOF(general_path_closed_pocket, general_path_open_pocket))
SUBTYPE OF (machining_feature);
its_hole: SET [0:?] OF general_path;
END_ENTITY;
```

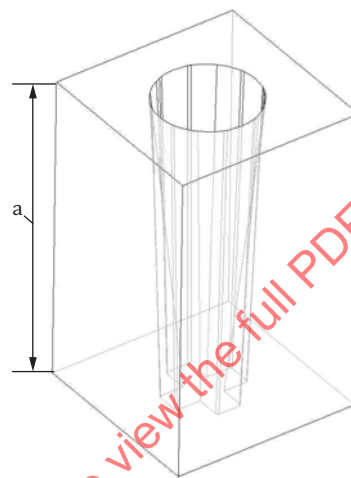
its\_hole: Optional list of general\_path entities which define the outline of the holes. This defines one or more parts of the pocket which are not cut during manufacturing of the pocket. When cutting the pocket the hole(s) is(are) cut simultaneously. IF "x\_+3" "<Tbl\_no\_borders>" "" <Tbl\_no\_borders> IF "x\_-3" "</Tbl\_no\_borders>" "" </Tbl\_no\_borders>

#### 4.2.6 General\_path\_closed\_pocket

Derived from the class `general_path_pocket`, a `general_path_closed_pocket` (see [Figure 3](#)) is a `general_path_pocket` that is surrounded by material everywhere along its circumference.

```
ENTITY general_path_closed_pocket
SUBTYPE OF (general_path_pocket);
feature_boundary: general_path;
END_ENTITY;
```

**feature\_boundary:** The shape that describes the principal and secondary edges of the pocket. It is an enclosed area that has completely closed profile curves. The `general_path` entity specifies the volume required by a closed pocket. IF "x\_+3" "<Tbl\_no\_borders>" "" <Tbl\_no\_borders> IF "x\_-3" "</Tbl\_no\_borders>" "" </Tbl\_no\_borders>



a depth

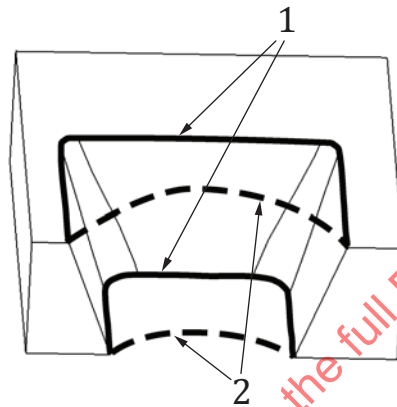
**Figure 3 — General\_path\_closed\_pocket**

#### 4.2.7 General\_path\_open\_pocket

Derived from the class `general_path_pocket` class, a `general_path_open_pocket` is a `general_path_pocket` which is not a `general_path_closed_pocket`. The `wall_boundary` specifies the limit of the pocket from the open side.

```
ENTITY general_path_open_pocket
SUBTYPE OF (general_path_pocket);
open_boundary: general_path;
wall_boundary: OPTIONAL general_path;
END_ENTITY;
```

- open\_boundary: The shape that describes the principal and secondary edges of the pocket. The general\_path entity specifies the volume required by the pocket. When travelling along the curve base as defined by its sense, the material lies on the left side of the curve according to the axis2\_placement\_3d defined in the machining\_feature. IF "x\_+3" "<Tbl\_no\_borders>" "" <Tbl\_no\_borders> IF "x\_-3" "</Tbl\_no\_borders>" "" </Tbl\_no\_borders>
- wall\_boundary: Optional general\_path entity which describes the shape of the pocket from the open side. Note that it is necessary to define this contour only if it differs from the side wall obtained by connecting the start and end points of the open\_boundary with straight lines (see [Figure 4](#)).



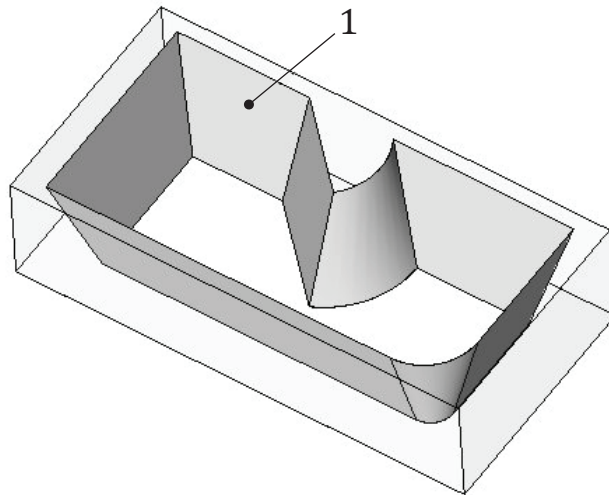
- Key**
- 1 open\_boundary
  - 2 wall\_boundary

**Figure 4 — General\_path\_open\_pocket**

**4.2.8 Ruled surfaces**

The description of the shape by ruled surfaces (see [Figure 5](#)) is used when normal vectors of the surfaces are necessary for the calculation of the wire offset, e.g. when the calculation of the offset in the two horizontal planes is not accurate enough.

The final shape of the cut is described by a list of ruled surface. The entity region\_surface\_list, which is a subtype of the entity manufacturing\_feature, is used to describe the ordered and oriented list of surfaces. The normal vector of the surface defines the direction away from the material.

**Key**

1 region\_surface\_list

**Figure 5 — Ruled surfaces****4.3 Additional types and entities****4.3.1 General**

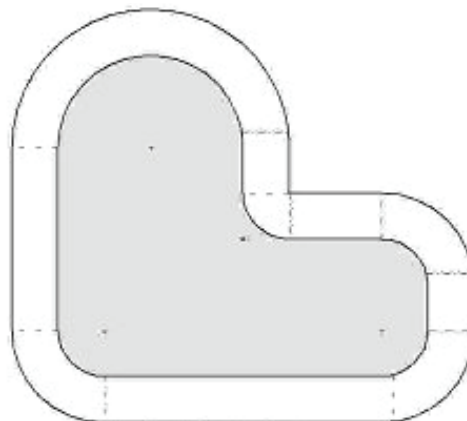
This subclause includes some further types and entities that are used in the declaration of the machining features described above.

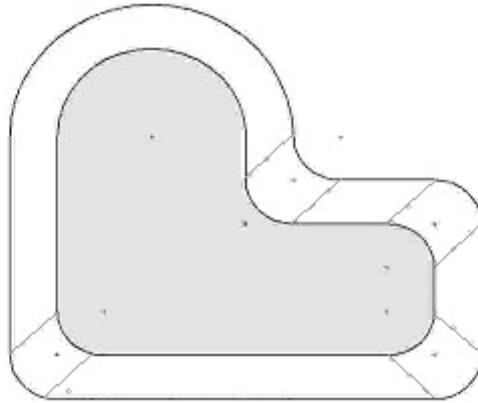
**4.3.2 EDM\_transition**

The entity EDM\_transition is used in the context of the general\_path class declaration. In the case when the general\_path class is defined by one curve (feature\_principal\_boundary) and a wall angle (slope) the transition has to be specified in order that the shapes of the angles are correctly defined.

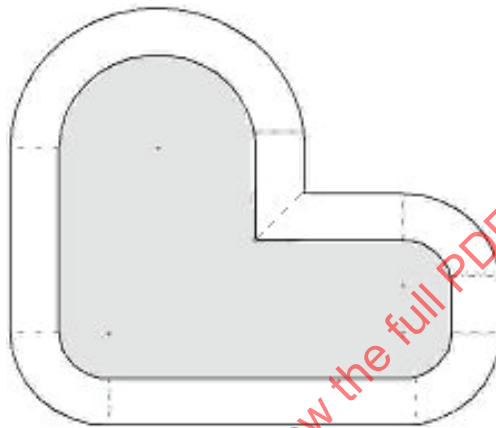
```
TYPE EDM_transition = ENUMERATION OF (constant_radius, conical, sharp);
END_TYPE;
```

The conical transition signifies that the secondary boundary curve is defined as the offset curve of the principal boundary curve. The constant radius transition defines the secondary curve by keeping the corner radius constant on the principal and secondary boundary curves (see [Figure 6](#)).

**a) Feature\_principal\_boundary conical**



b) Feature\_principal\_boundary constant radius



c) Feature\_principal\_boundary sharp

Figure 6 — EDM\_transition types

#### 4.4 Machining operation for wire-EDM

##### 4.4.1 General

In this subclause, all machining operations and technology-specific data needed for wire-EDM are introduced.

##### 4.4.2 Wire\_edm\_machining\_operation

The wire\_edm\_machining\_operation classes define the machining process for a limited area of the workpiece, i.e. the contents of a machining workingstep. This entity is inherited by the machining\_workingstep class defined in ISO 14649-10. This class defines additional information needed by the wire-EDM machining. It is a subtype of entity machining\_operation defined in ISO 14649-10.

```
ENTITY wire_edm_machining_operation
SUBTYPE OF (machining_operation);
offset_length: OPTIONAL length_measure;
approach: OPTIONAL wire_edm_approach_retract_strategy;
retract: OPTIONAL wire_edm_approach_retract_strategy;
thread_point: LIST OF [1:2] OF cartesian_point;
cut_end_point: OPTIONAL cartesian_point;
END_ENTITY;
```

- offset\_length:** Optional offset value defining the distance of the wire centre from the boundary curve of the feature. The controller based on the required tolerance and surface quality can determine this value. When travelling along the boundary curve of the feature based as defined by its sense, the offset curve lies on the left side of the curve (see [Figure 7](#)). IF "x\_+3" "<Tbl\_no\_borders>" "" <Tbl\_no\_borders> IF "x\_-3" "</Tbl\_no\_borders>" "" </Tbl\_no\_borders>
- approach:** Defines the wire movement from the `thread_point` to the `cut_start_point`. If this is not defined the wire will start from the end point of the previous machining\_workingstep.
- retract:** Defines the wire movement from the `cut_end_point` to the `thread_point`. If this is not defined the wire will stop at the `cut_end_point`.
- thread\_point:** Defines the starting point of the cutting process. This point defines the threading hole's position where the wire can be threaded. In the case of the four axis wire-EDM operation the inclined threading hole can be defined by two points. The first point is defined in the xy plane ( $z = 0$ ) while the second point is defined in the xy plane ( $z = -\text{depth}$ ) of the feature coordinate system (see [Figure 7](#)).
- cut\_end\_point:** Optional point defined on the principal boundary curve that specifies the end point of the cutting operation. If it is not defined the `cut_start_point` is considered as the end point (see [Figure 6](#)).

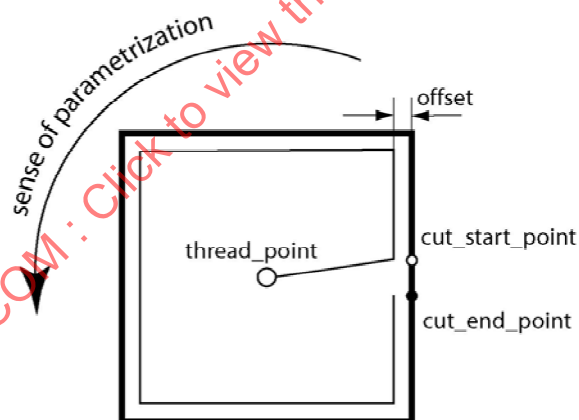


Figure 7 — Wire\_edm\_machining\_operation

#### 4.4.3 Wire\_edm\_machining\_strategy

##### 4.4.3.1 General

The `wire_edm_machining_strategy` class specifies the strategy to be used when executing the operation. When it is specified it will modify the final offset toolpath generation method or gives a hint for an auxiliary operation like fixation or slug removal. It is a subtype of entity `machining_strategy`, defined in ISO 14649-10.

```
ENTITY wire_edm_machining_strategy
ABSTRACT SUPERTYPE OF (ONEOF (backmotion, cut_through, slug_removal))
SUBTYPE OF (machining_strategy);
END_ENTITY;
```

4.4.3.2 Backmotion

If the backmotion strategy is specified it defines that the wire tool should move backwards on the feature contour curve, starting from the cut\_end\_point towards the cut\_start\_point along the negative sense of parametrization. This strategy can be applied on features having closed contour curves (see [Figure 8](#)).

```
ENTITY backmotion
SUBTYPE OF (wire_edm_machining_strategy);
END_ENTITY;
```

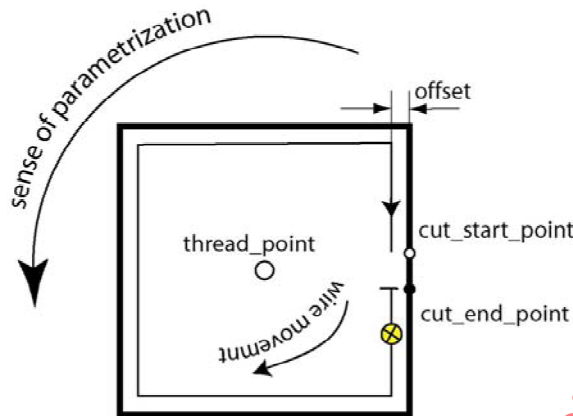


Figure 8 — Backmotion strategy

4.4.3.3 Cut\_through

The cut\_through strategy specifies that the operation will cut a slug. This strategy signifies that the slug might have to be fixed before this operation starts in order to avoid the fall out of the slug causing a short circuit. The wire tool should start moving from the cut\_end\_point towards the cut\_start\_point along the positive sense of parametrization. This strategy can be applied to features having closed contour curves (see [Figure 9](#)).

```
ENTITY cut_through
SUBTYPE OF (wire_edm_machining_strategy);
END_ENTITY;
```

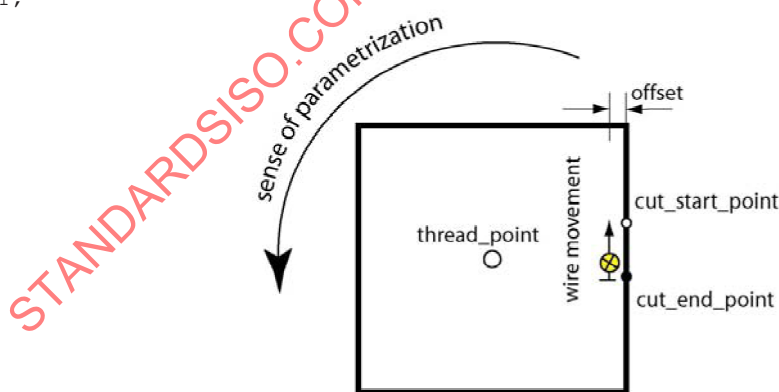


Figure 9 — Cut\_through strategy

4.4.3.4 Slug\_removal

The slug\_removal strategy defines that the operator should remove the slug. The machining\_operation having slug\_removal strategy usually follows an operation having cut\_through strategy. The wire should not move during this operation. This strategy can be applied to features having closed contour curves. It might signify to the controller that the wire should be cut before this operation and re-threaded after.



```

ENTITY slug_removal
SUBTYPE OF (wire_edm_machining_strategy);
END_ENTITY;

```

#### 4.4.3.5 Wire\_edm\_machine\_functions

The entity describes the state of various functions of the machine (e.g. coolant) to be applied during the time span of an operation. It is a subtype of entity machine\_functions, defined in ISO 14649-10.

```

ENTITY wire_edm_machine_functions
SUBTYPE OF (machine_functions);
coolant: BOOLEAN;
coolant_pressure: OPTIONAL pressure_measure;
lower_nozzle: BOOLEAN;
upper_nozzle: BOOLEAN;
other_functions: SET [0:?] OF property_parameter;
END_ENTITY;

```

- coolant:** If true, the coolant is activated. IF "x\_+3" "<Tbl\_no\_borders>" "" <Tbl\_no\_borders> IF "x\_-3" "</Tbl\_no\_borders>" "" </Tbl\_no\_borders>
- coolant\_pressure:** Optional specification of the pressure of the coolant system. Only valid if coolant is true.
- lower\_nozzle:** If true, lower nozzle is activated. Only valid if coolant is true.
- upper\_nozzle:** If true, the upper nozzle is activated. Only valid if coolant is true.
- other\_functions:** Optional list of other functions of generic type.

#### 4.4.3.6 Wire\_edm\_technology

This entity defines the technological parameters of the wire-EDM operation. It is a subtype of entity technology defined in ISO 14649-10. Since the number of technology parameters are machine dependent the technology will be derived from independent parameters. Most of the wire-EDM machines use an expert system or technology tables to define the spark generator parameters from the following data:

- material of the wire (its\_wire\_material of wire\_tool entity)
- diameter of the wire (its\_diameter of wire\_tool entity)
- material of the workpiece (its\_material of workpiece entity)
- cutting height (its\_geometry of workpiece entity)
- final surface quality (roughness)

```

ENTITY wire_edm_technology
SUBTYPE OF (technology);
small_corner_strategy: OPTIONAL BOOLEAN;
other_generator_parameters: OPTIONAL SET [0:?] OF property_parameter;
END_ENTITY;

```

- small\_corner\_strategy :** If true, the special strategy to handle the small radius corners is activated. IF "x\_+3" "<Tbl\_no\_borders>" "" <Tbl\_no\_borders> IF "x\_-3" "</Tbl\_no\_borders>" "" </Tbl\_no\_borders>
- other\_generator\_parameters:** Set of other property parameters of the generator of generic type.

4.4.4 Wire\_edm\_approach\_retract\_strategy

4.4.4.1 General

Base class for the approach and retract strategy. All approach and retract strategies are defined relative to the start or end point of the cutting operation. The start point of the approach or end point of the retract movement are defined to be the thread point of the operation.

```
ENTITY wire_edm_approach_retract_strategy
ABSTRACT SUPERTYPE OF (ONEOF (along_path_strategy, linear_strategy, arc_strategy));
its_technology: OPTIONAL wire_edm_technology;
technology_switch_point: OPTIONAL LIST [1:2] OF cartesian_point;
END_ENTITY;
```

its\_technology: Optional technology setting for the approach/retract path. If it is not set the technology specified for the main cutting is used. IF "x\_+3" "<Tbl\_no\_borders>" "" <Tbl\_no\_borders> IF "x\_-3" "</Tbl\_no\_borders>" "" </Tbl\_no\_borders>

technology\_switch\_point: Specifies the point where the technology specified for the approach/retract movement should switch to the technology of the main cut. Only valid if its\_technology is specified.

4.4.4.2 Along\_path\_strategy

The along path strategy (see Figure 10) specifies the movement of the wire from the thread\_point (to the thread\_point) to the start point (from the end point) of the cutting operation with a list of tool paths. This class can describe an arbitrary approach or retract strategy.

```
ENTITY along_path_strategy
SUBTYPE OF (wire_edm_approach_retract_strategy);
path: toolpath_list;
END_ENTITY;
```

path: Specifies the path of the wire IF "x\_+3" "<Tbl\_no\_borders>" "" <Tbl\_no\_borders> IF "x\_-3" "</Tbl\_no\_borders>" "" </Tbl\_no\_borders>

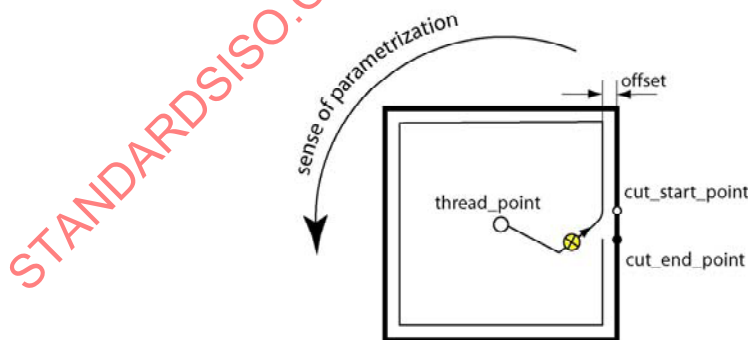


Figure 10 — Along\_path\_strategy

4.4.4.3 Linear\_strategy

The approach/retract path connects the thread point with the start/end point of the cutting operation with a linear segment (see Figure 11).

```
ENTITY linear_strategy
SUBTYPE OF (wire_edm_approach_retract_strategy);
END_ENTITY;
```

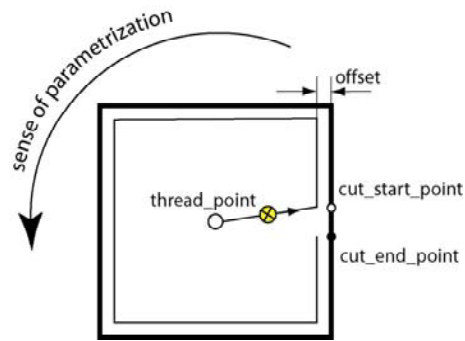


Figure 11 — Linear\_strategy

#### 4.4.4.4 Arc\_strategy

The approach/retract path connects the thread point with the start/end point of the cutting operation with a linear-arc segment. The arc segment is tangential to the main cuts curve (see [Figure 12](#)).

```
ENTITY arc_strategy
SUBTYPE OF (wire_edm_approach_retract_strategy);
radius: positive_length_measure;
END_ENTITY;
```

radius: The radius of the approach/retract movement. IF "x\_+3" "<Tbl\_no\_borders>" "" <Tbl\_no\_borders> IF "x\_-3" "</Tbl\_no\_borders>" "" </Tbl\_no\_borders>

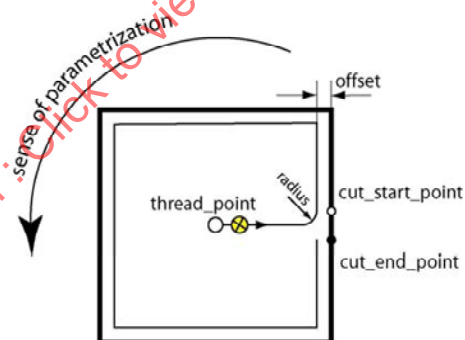


Figure 12 — Arc\_strategy

#### 4.4.5 Wire\_tool

This class describes the properties of the wire used in wire-EDM machining. It is a subtype of entity machining\_tool defined in ISO 14649-10.

```
ENTITY wire_tool
SUBTYPE OF (machining_tool);
its_wire_material: material;
its_diameter: length_measure;
its_tension: OPTIONAL tension_measure;
its_speed: OPTIONAL speed_measure;
other_parameters: SET [0:?] OF property_parameter;
END_ENTITY;
```

## ISO 14649-13:2013(E)

- its\_wire\_material: The material of the wire. IF "x\_+3" "<Tbl\_no\_borders>" "" <Tbl\_no\_borders> IF "x\_-3" "</Tbl\_no\_borders>" "" </Tbl\_no\_borders>
- its\_diameter: The diameter of the wire.
- its\_tension: Optional tension value applied to the wire.
- its\_speed: Optional speed value specifying the wire feeding velocity.
- other\_parameters: Optional set of parameters of generic type.

STANDARDSISO.COM : Click to view the full PDF of ISO 14649-13:2013

## Annex A (informative)

### EXPRESS listing

The following EXPRESS is the whole schema of this part of ISO 14649.

```

SCHEMA wire_edm_schema;
(*
Version 5 of Feb 28, 2003
Author: Gabor Erdos <gabor.erdos@epfl.ch>
Modified by: Willy Maeder <wmaeder@cadcamation.ch>
Jacques Richard <i-tech@eig.unige.ch>
*)
REFERENCE FROM machining_schema (*ISO 14649-10*)
(
bounded_curve,
cartesian_point,
direction,
identifier,
label,
length_measure,
machine_functions,
machining_operation,
machining_feature,
machining_tool,
material,
pressure_measure,
property_parameter,
speed_measure,
plane_angle_measure,
technology,
machining_strategy,
toolpath_list
);
(* ***** *)
(* Type definitions *)
(* ***** *)
TYPE EDM_transition = ENUMERATION OF(constant_radius, conical, sharp);
END_TYPE;
TYPE tension_measure = REAL;
END_TYPE;
(* ***** *)
(* Machining feature *)
(* ***** *)
ENTITY general_path
SUPERTYPE OF (ONEOF(general_single_path, general_twin_path))
SUBTYPE OF (machining_feature);
END_ENTITY;
ENTITY general_single_path
SUBTYPE OF (general_path);
feature_principal_boundary: bounded_curve;
slope: OPTIONAL plane_angle_measure;
transition_types: OPTIONAL EDM_transition;
END_ENTITY;
ENTITY general_twin_path
SUBTYPE OF (general_path);
feature_principal_boundary: bounded_curve;
feature_secondary_boundary: bounded_curve;
END_ENTITY;
ENTITY general_path_pocket
ABSTRACT SUPERTYPE OF (ONEOF(general_path_closed_pocket, general_path_open_pocket))
SUBTYPE OF (machining_feature);
its_hole: SET [0:?] OF general_path;
END_ENTITY;

```

```

ENTITY general_path_closed_pocket
SUBTYPE OF (general_path_pocket);
feature_boundary: general_path;
END_ENTITY;
ENTITY general_path_open_pocket
SUBTYPE OF (general_path_pocket);
open_boundary: general_path;
wall_boundary: OPTIONAL general_path;
END_ENTITY;
(* ***** *)
(* Wire tool *)
(* ***** *)
ENTITY wire_tool
SUBTYPE OF (machining_tool);
its_wire_material: material;
its_diameter: length_measure;
its_tension: OPTIONAL tension_measure;
its_speed: OPTIONAL speed_measure;
other_parameters: SET [0:?] OF property_parameter;
END_ENTITY;
(* ***** *)
(* Wire-EDM Machining strategy *)
(* ***** *)
ENTITY wire_edm_machining_strategy
ABSTRACT SUPERTYPE OF (ONEOF (backmotion, cut_through, slug_removal));
SUBTYPE OF (machining_strategy);
END_ENTITY;
ENTITY backmotion
SUBTYPE OF (wire_edm_machining_strategy);
END_ENTITY;
ENTITY cut_through
SUBTYPE OF (wire_edm_machining_strategy);
END_ENTITY;
ENTITY slug_removal
SUBTYPE OF (wire_edm_machining_strategy);
END_ENTITY;
(* ***** *)
(* wire_edm_approach_retract_strategy *)
(* ***** *)
ENTITY wire_edm_approach_retract_strategy
ABSTRACT SUPERTYPE OF (ONEOF (along_path_strategy, linear_strategy, arc_strategy));
its_technology: OPTIONAL wire_edm_technology;
technology_switch_point: OPTIONAL LIST [1:2] OF cartesian_point;
END_ENTITY;
ENTITY along_path_strategy
SUBTYPE OF (wire_edm_approach_retract_strategy);
path: toolpath_list;
END_ENTITY;
ENTITY linear_strategy
SUBTYPE OF (wire_edm_approach_retract_strategy);
END_ENTITY;
ENTITY arc_strategy
SUBTYPE OF (wire_edm_approach_retract_strategy);
radius: positive_length_measure;
END_ENTITY;
(* ***** *)
(* Wire-EDM operation *)
(* ***** *)
ENTITY wire_edm_machining_operation
SUBTYPE OF (machining_operation);
offset_length: length_measure;
approach: OPTIONAL wire_edm_approach_retract_strategy;
retract: OPTIONAL wire_edm_approach_retract_strategy;
thread_point: cartesian_point;
cut_end_point: OPTIONAL cartesian_point;
END_ENTITY;
(* ***** *)
(* Wire-EDM technology *)
(* ***** *)
ENTITY wire_edm_technology
SUBTYPE OF (technology);

```

```
small_corner_strategy: OPTIONAL BOOLEAN;
other_generator_parameters: OPTIONAL SET [0:?] OF property_parameter;
END_ENTITY;
(* ***** *)
(* Wire-EDM technology machine functions *)
(* ***** *)
ENTITY wire_edm_machine_functions
SUBTYPE OF (machine_functions);
coolant: BOOLEAN;
coolant_pressure: OPTIONAL pressure_measure;
lower_nozzle: BOOLEAN;
upper_nozzle: BOOLEAN;
other_functions: SET [0:?] OF property_parameter;
END_ENTITY;
END_SCHEMA; (*wire_edm_schema *)
```

STANDARDSISO.COM : Click to view the full PDF of ISO 14649-13:2013

## Annex B (informative)

### EXPRESS-G

The figures in this annex show the graphical representations of different elements:

- [Figure B.1](#) shows the wire tool structure;
- [Figure B.2](#) shows the wire-EDM machining operation structure;
- [Figure B.3](#) shows the wire-EDM machining strategy and the wire-EDM feature reference;
- [Figure B.4](#) shows the EDM machine functions and the general path structure;
- [Figure B.5](#) shows the single path, double path and retract strategies;
- [Figure B.6](#) shows the EDM machine technology and the general path pocket;
- [Figure B.7](#) shows more detailed strategies;
- [Figure B.8](#) shows the open pocket definition and the tension definition;
- [Figure B.9](#) shows the closed pocked definition.

These figures are purely informative: a detailed explanation of the entities in the figures is given in the corresponding text definitions in [Clause 4](#).



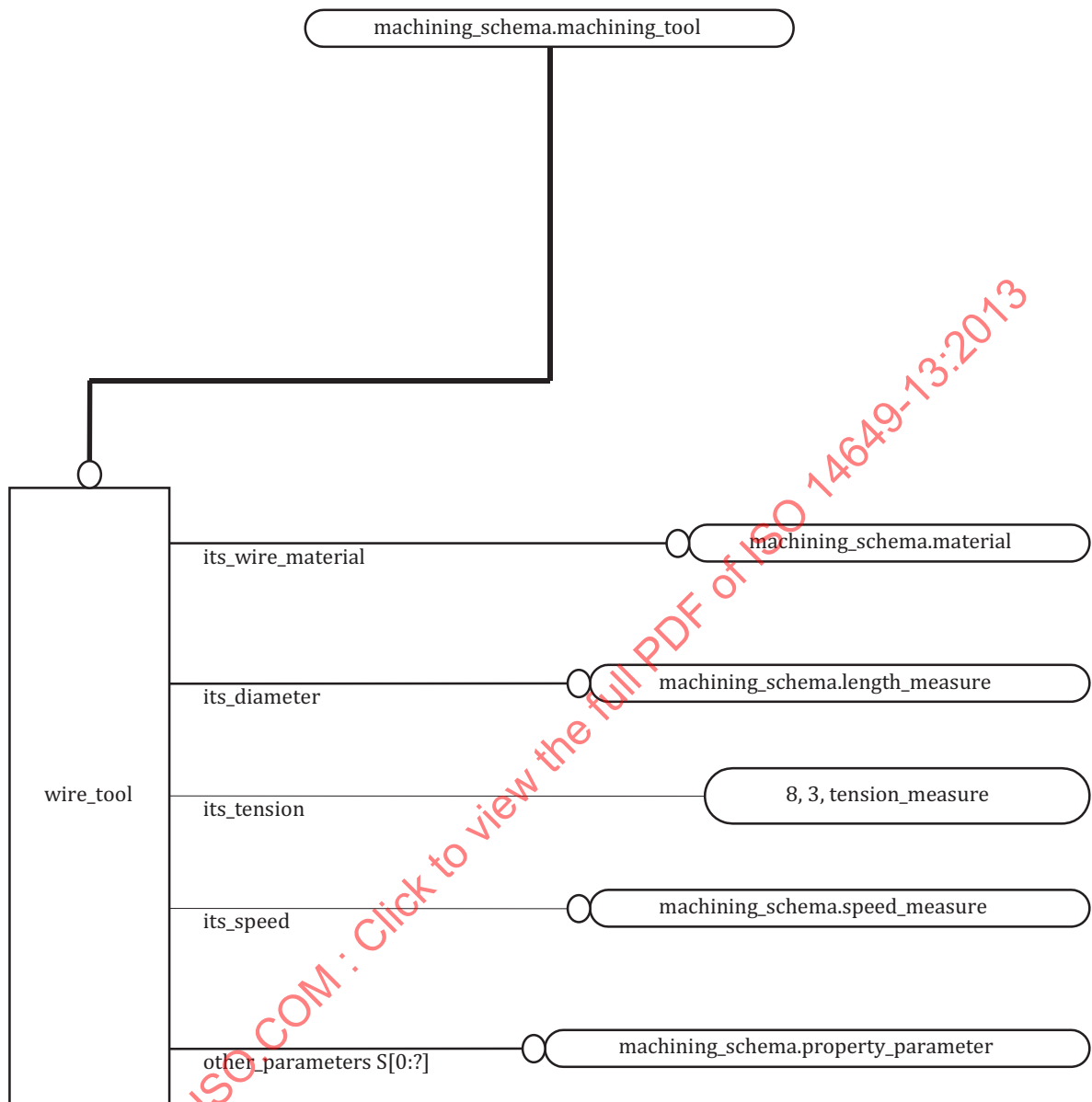


Figure B.1 — Express-G diagram 1

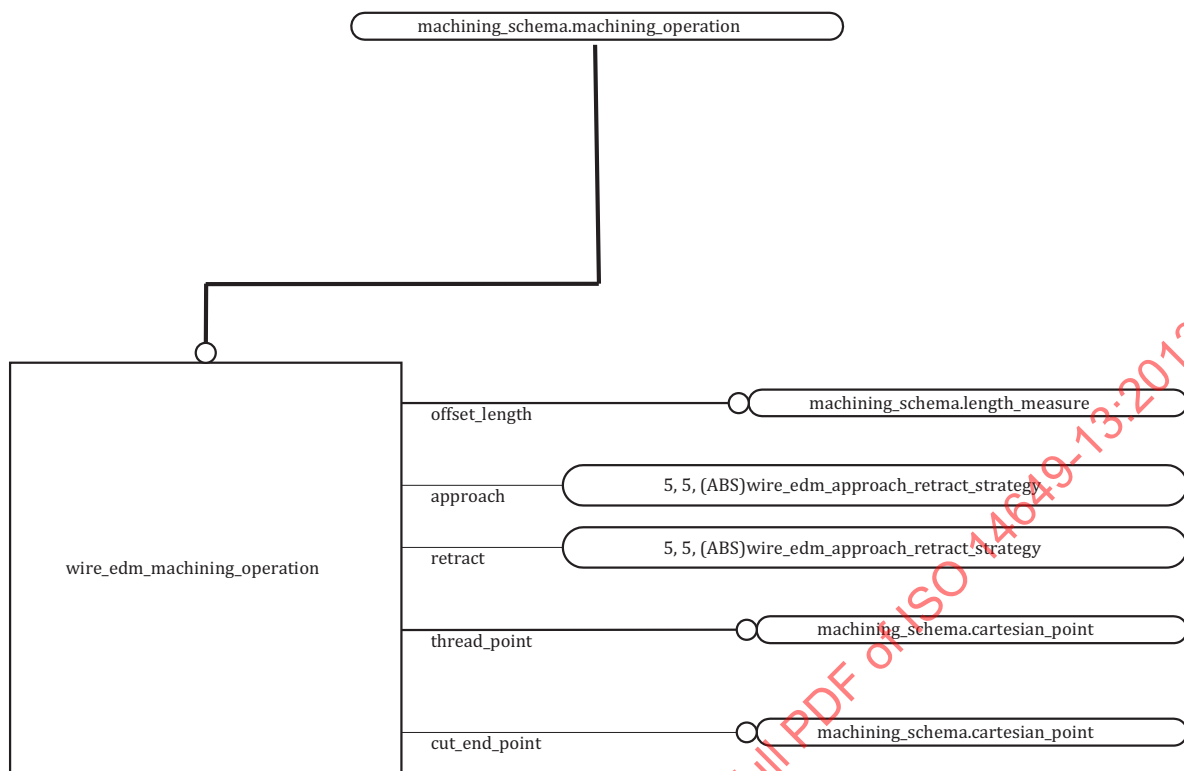


Figure B.2 — Express-G diagram 2

STANDARDSISO.COM : Click to view the full PDF of ISO 14649-13:2013

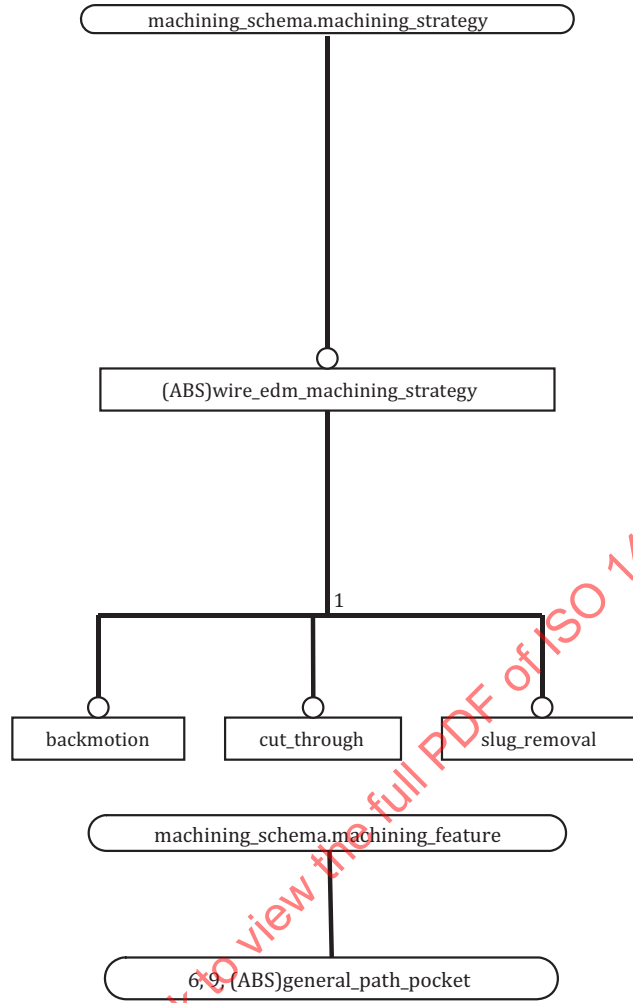


Figure B.3 — Express-G diagram 3

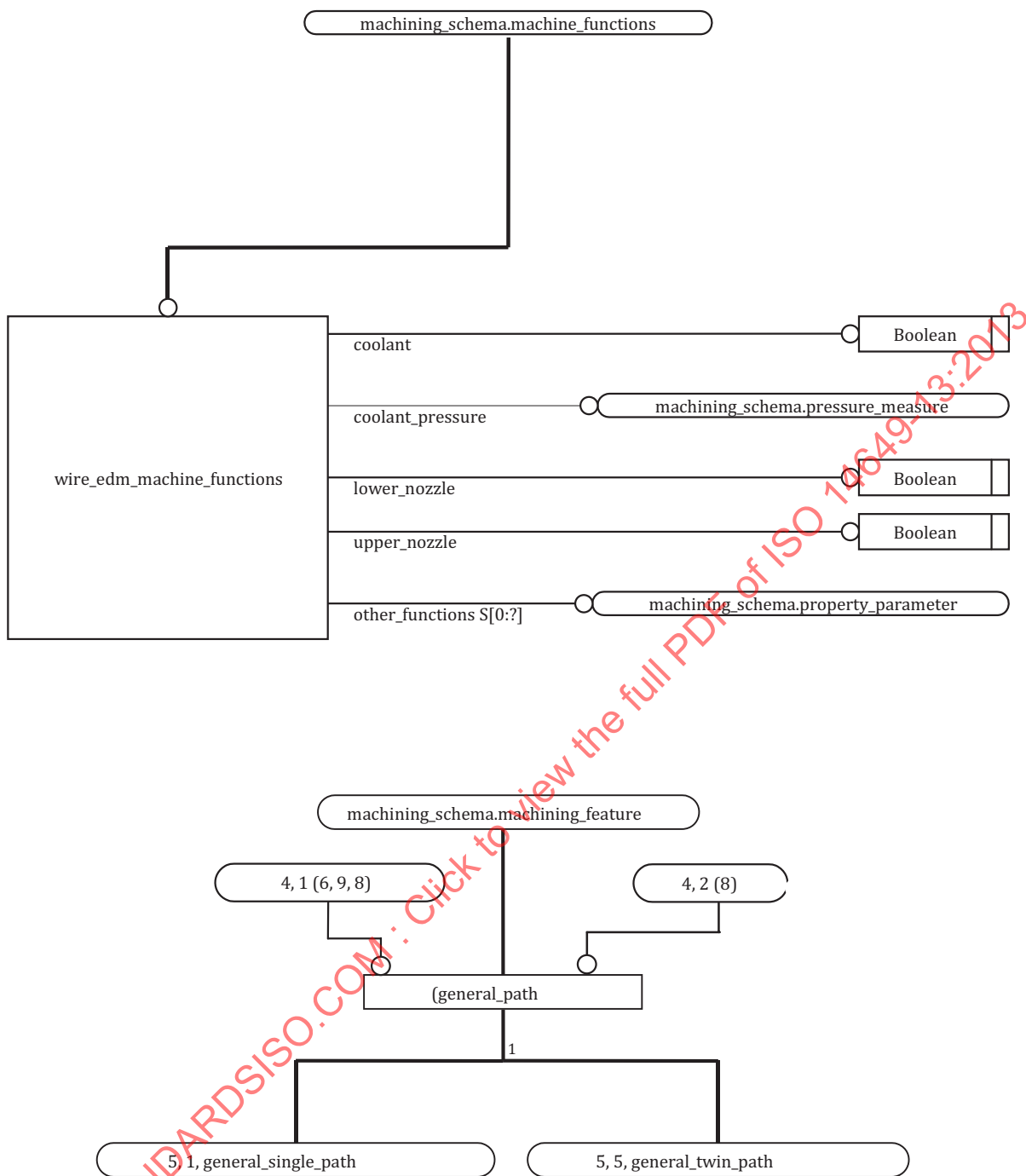


Figure B.4 — Express-G diagram 4

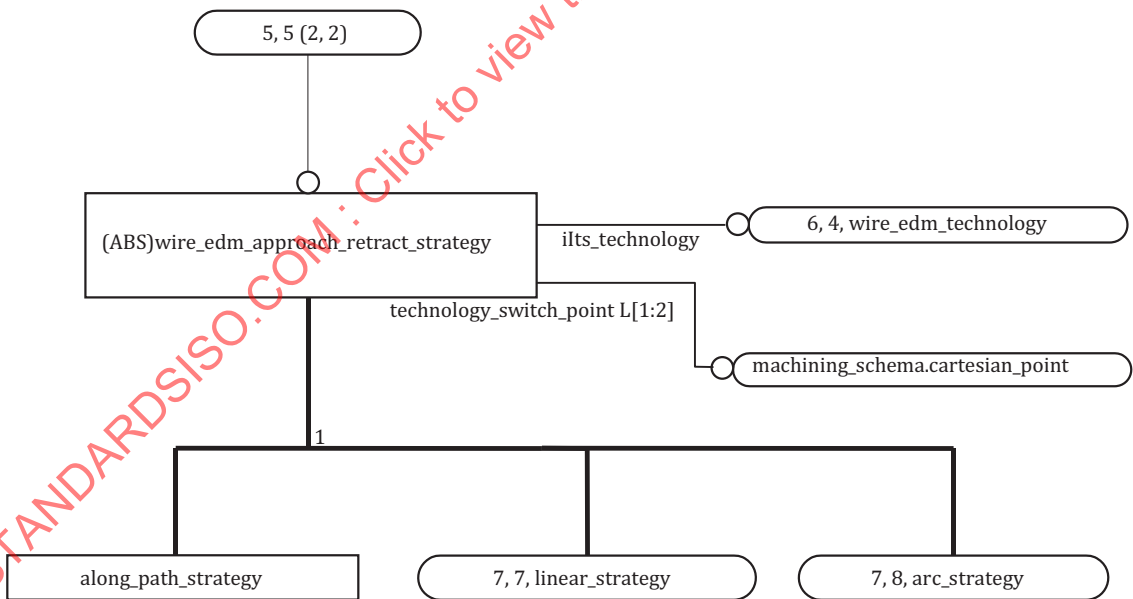
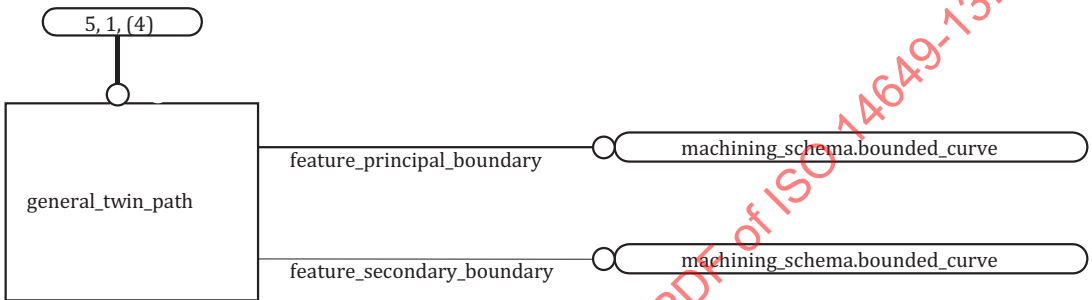
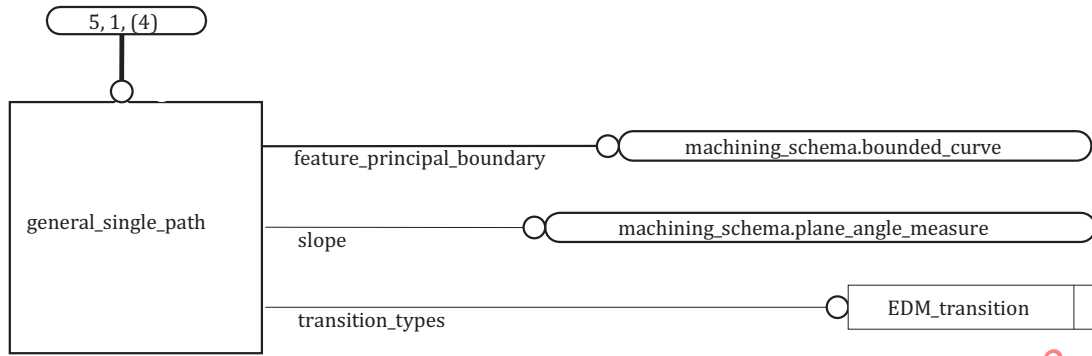


Figure B.5 — Express-G diagram 5

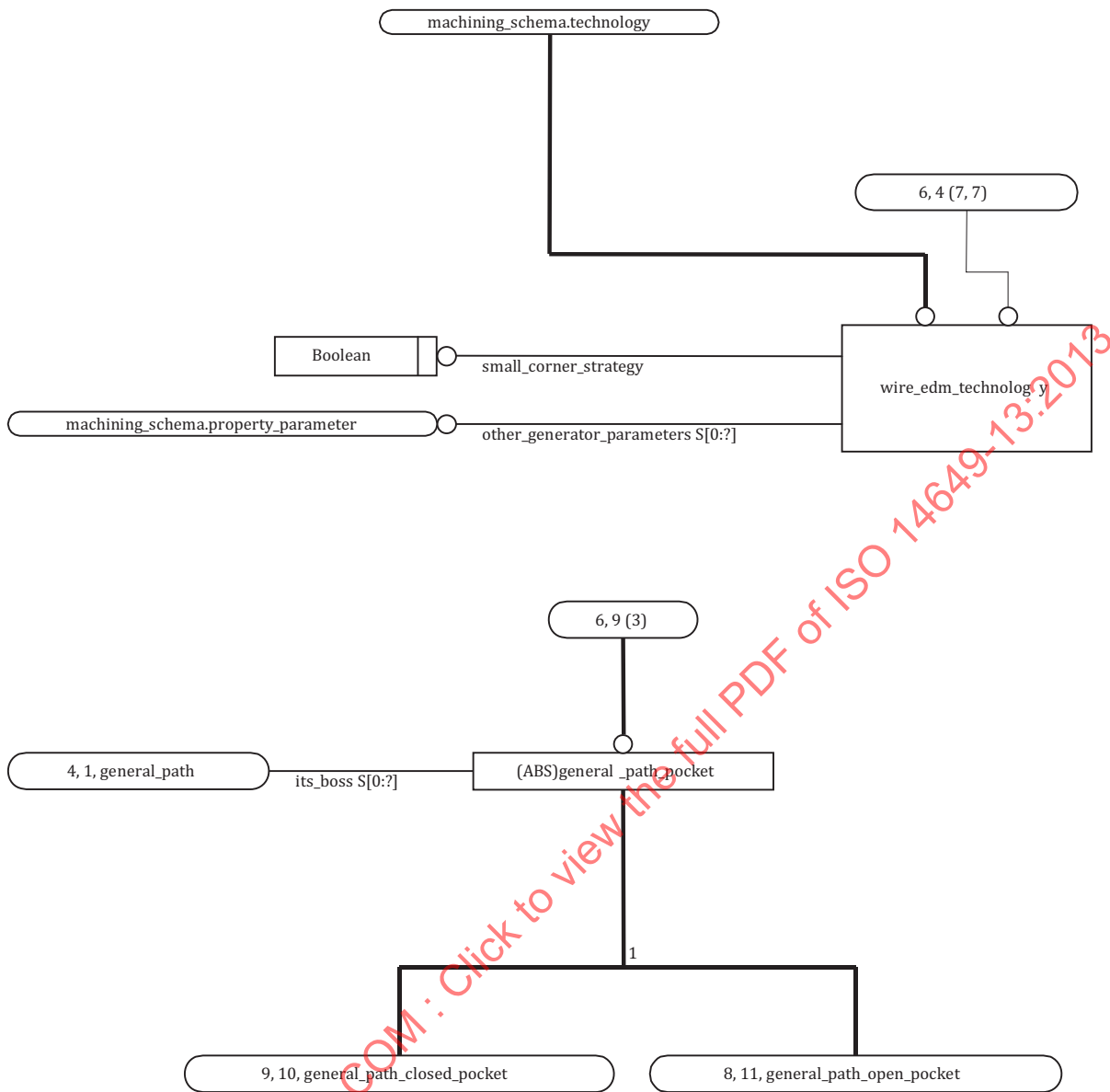


Figure B.6 — Express-G diagram 6

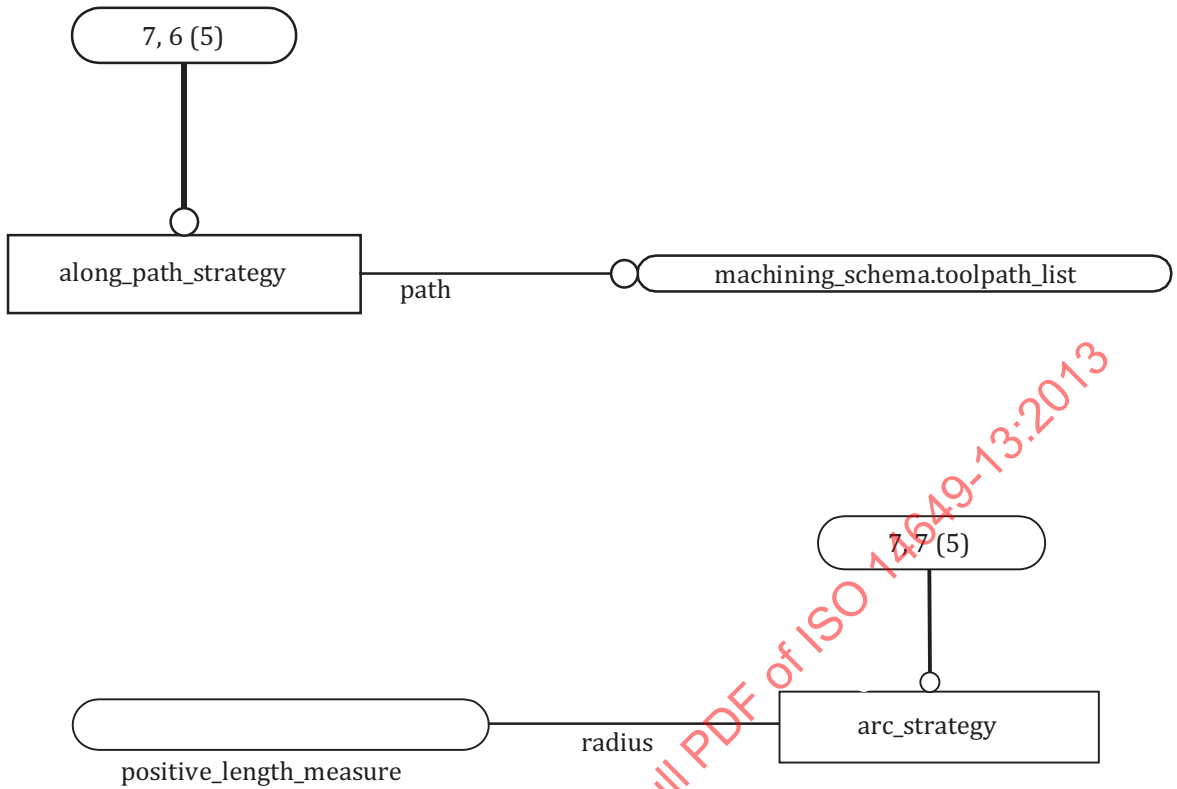


Figure B.7 — Express-G diagram 7

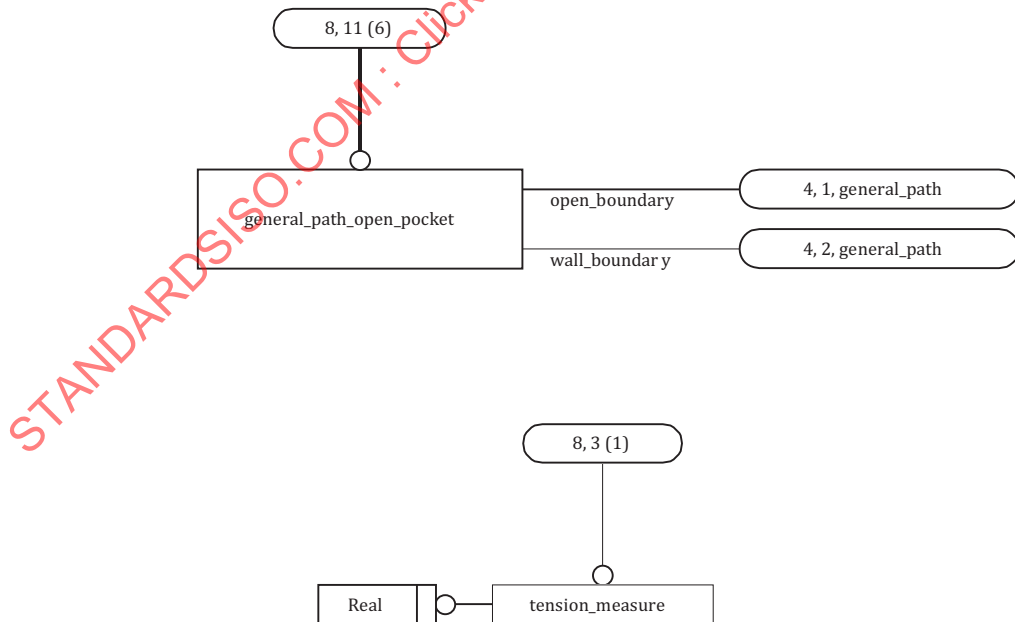


Figure B.8 — Express-G diagram 8

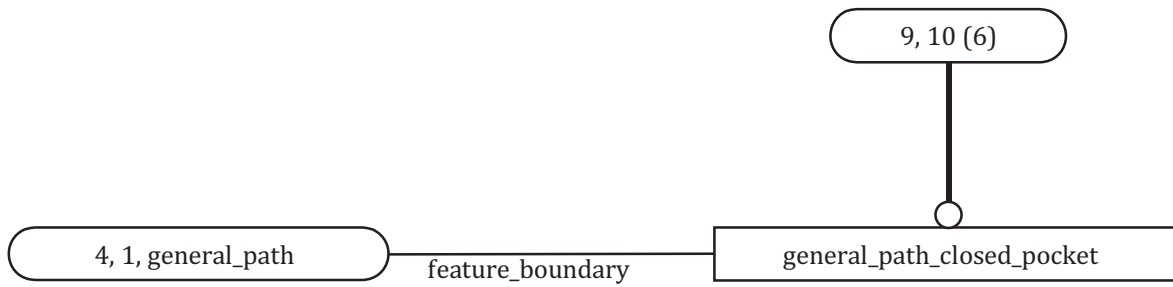


Figure B.9 — Express-G diagram 9

STANDARDSISO.COM : Click to view the full PDF of ISO 14649-13:2013