

INTERNATIONAL STANDARD

NORME INTERNATIONALE



INTERNATIONAL SPECIAL COMMITTEE ON RADIO INTERFERENCE
COMITÉ INTERNATIONAL SPÉCIAL DES PERTURBATIONS RADIOÉLECTRIQUES

BASIC EMC PUBLICATION
PUBLICATION FONDAMENTALE EN CEM

**Specification for radio disturbance and immunity measuring apparatus and methods –
Part 1-5: Radio disturbance and immunity measuring apparatus – Antenna calibration
sites and reference test sites for 5 MHz to 18 GHz**

**Spécification des méthodes et des appareils de mesure des perturbations
radioélectriques et de l'immunité aux perturbations radioélectriques –
Partie 1-5: Appareils de mesure des perturbations radioélectriques et de l'immunité aux
perturbations radioélectriques – Emplacements d'étalonnage d'antenne et
emplacements d'essai de référence pour la plage comprise entre 5 MHz et 18 GHz**



THIS PUBLICATION IS COPYRIGHT PROTECTED

Copyright © 2014 IEC, Geneva, Switzerland

All rights reserved. Unless otherwise specified, no part of this publication may be reproduced or utilized in any form or by any means, electronic or mechanical, including photocopying and microfilm, without permission in writing from either IEC or IEC's member National Committee in the country of the requester. If you have any questions about IEC copyright or have an enquiry about obtaining additional rights to this publication, please contact the address below or your local IEC member National Committee for further information.

Droits de reproduction réservés. Sauf indication contraire, aucune partie de cette publication ne peut être reproduite ni utilisée sous quelque forme que ce soit et par aucun procédé, électronique ou mécanique, y compris la photocopie et les microfilms, sans l'accord écrit de l'IEC ou du Comité national de l'IEC du pays du demandeur. Si vous avez des questions sur le copyright de l'IEC ou si vous désirez obtenir des droits supplémentaires sur cette publication, utilisez les coordonnées ci-après ou contactez le Comité national de l'IEC de votre pays de résidence.

IEC Central Office
3, rue de Varembe
CH-1211 Geneva 20
Switzerland

Tel.: +41 22 919 02 11
Fax: +41 22 919 03 00
info@iec.ch
www.iec.ch

About the IEC

The International Electrotechnical Commission (IEC) is the leading global organization that prepares and publishes International Standards for all electrical, electronic and related technologies.

About IEC publications

The technical content of IEC publications is kept under constant review by the IEC. Please make sure that you have the latest edition, a corrigenda or an amendment might have been published.

IEC Catalogue - webstore.iec.ch/catalogue

The stand-alone application for consulting the entire bibliographical information on IEC International Standards, Technical Specifications, Technical Reports and other documents. Available for PC, Mac OS, Android Tablets and iPad.

IEC publications search - www.iec.ch/searchpub

The advanced search enables to find IEC publications by a variety of criteria (reference number, text, technical committee,...). It also gives information on projects, replaced and withdrawn publications.

IEC Just Published - webstore.iec.ch/justpublished

Stay up to date on all new IEC publications. Just Published details all new publications released. Available online and also once a month by email.

Electropedia - www.electropedia.org

The world's leading online dictionary of electronic and electrical terms containing more than 30 000 terms and definitions in English and French, with equivalent terms in 14 additional languages. Also known as the International Electrotechnical Vocabulary (IEV) online.

IEC Glossary - std.iec.ch/glossary

More than 55 000 electrotechnical terminology entries in English and French extracted from the Terms and Definitions clause of IEC publications issued since 2002. Some entries have been collected from earlier publications of IEC TC 37, 77, 86 and CISPR.

IEC Customer Service Centre - webstore.iec.ch/csc

If you wish to give us your feedback on this publication or need further assistance, please contact the Customer Service Centre: csc@iec.ch.

A propos de l'IEC

La Commission Electrotechnique Internationale (IEC) est la première organisation mondiale qui élabore et publie des Normes internationales pour tout ce qui a trait à l'électricité, à l'électronique et aux technologies apparentées.

A propos des publications IEC

Le contenu technique des publications IEC est constamment revu. Veuillez vous assurer que vous possédez l'édition la plus récente, un corrigendum ou amendement peut avoir été publié.

Catalogue IEC - webstore.iec.ch/catalogue

Application autonome pour consulter tous les renseignements bibliographiques sur les Normes internationales, Spécifications techniques, Rapports techniques et autres documents de l'IEC. Disponible pour PC, Mac OS, tablettes Android et iPad.

Recherche de publications IEC - www.iec.ch/searchpub

La recherche avancée permet de trouver des publications IEC en utilisant différents critères (numéro de référence, texte, comité d'études,...). Elle donne aussi des informations sur les projets et les publications remplacées ou retirées.

IEC Just Published - webstore.iec.ch/justpublished

Restez informé sur les nouvelles publications IEC. Just Published détaille les nouvelles publications parues. Disponible en ligne et aussi une fois par mois par email.

Electropedia - www.electropedia.org

Le premier dictionnaire en ligne de termes électroniques et électriques. Il contient plus de 30 000 termes et définitions en anglais et en français, ainsi que les termes équivalents dans 14 langues additionnelles. Egalement appelé Vocabulaire Electrotechnique International (IEV) en ligne.

Glossaire IEC - std.iec.ch/glossary

Plus de 55 000 entrées terminologiques électrotechniques, en anglais et en français, extraites des articles Termes et Définitions des publications IEC parues depuis 2002. Plus certaines entrées antérieures extraites des publications des CE 37, 77, 86 et CISPR de l'IEC.

Service Clients - webstore.iec.ch/csc

Si vous désirez nous donner des commentaires sur cette publication ou si vous avez des questions contactez-nous: csc@iec.ch.

INTERNATIONAL STANDARD

NORME INTERNATIONALE



INTERNATIONAL SPECIAL COMMITTEE ON RADIO INTERFERENCE
COMITÉ INTERNATIONAL SPÉCIAL DES PERTURBATIONS RADIOÉLECTRIQUES

BASIC EMC PUBLICATION
PUBLICATION FONDAMENTALE EN CEM

**Specification for radio disturbance and immunity measuring apparatus and methods –
Part 1-5: Radio disturbance and immunity measuring apparatus – Antenna calibration
sites and reference test sites for 5 MHz to 18 GHz**

**Spécification des méthodes et des appareils de mesure des perturbations
radioélectriques et de l'immunité aux perturbations radioélectriques –
Partie 1-5: Appareils de mesure des perturbations radioélectriques et de l'immunité aux
perturbations radioélectriques – Emplacements d'étalonnage d'antenne et
emplacements d'essai de référence pour la plage comprise entre 5 MHz et 18 GHz**

INTERNATIONAL
ELECTROTECHNICAL
COMMISSION

COMMISSION
ELECTROTECHNIQUE
INTERNATIONALE

ICS 33.100.10; 33.100.20

ISBN 978-2-8322-1932-4

**Warning! Make sure that you obtained this publication from an authorized distributor.
Attention! Veuillez vous assurer que vous avez obtenu cette publication via un distributeur agréé.**

CONTENTS

FOREWORD.....	6
INTRODUCTION.....	8
1 Scope.....	10
2 Normative references	10
3 Terms, definitions and abbreviations	10
3.1 Terms and definitions.....	10
3.1.1 Antenna terms	11
3.1.2 Measurement site terms	13
3.1.3 Other terms	14
3.2 Abbreviations.....	15
4 Specifications and validation procedures for CALTS and REFTS from 5 MHz to 1 000 MHz.....	16
4.1 General.....	16
4.2 Antenna calibration test site (CALTS) specification	16
4.2.1 General	16
4.2.2 Normative specification.....	17
4.3 Test antenna specification	17
4.3.1 General	17
4.3.2 Details of the required characteristics of the test antenna	18
4.4 Antenna calibration test site validation procedure	20
4.4.1 General	20
4.4.2 Test set-up	20
4.4.3 Test frequencies and receive antenna heights	22
4.4.4 SIL measurements.....	22
4.4.5 Swept frequency SIL measurements.....	25
4.4.6 Identifying and reducing reflections from antenna supports.....	28
4.5 Antenna calibration test site acceptance criteria	28
4.5.1 General	28
4.5.2 Measurement uncertainties.....	28
4.5.3 Acceptance criteria	29
4.6 Calibration site with a metal ground plane for biconical antennas and tuned dipole antennas over the frequency range 30 MHz to 300 MHz	30
4.7 Validation of a REFTS	31
4.7.1 General	31
4.7.2 Validation for horizontal polarization	31
4.7.3 Validation for vertical polarization	31
4.8 Validation report for CALTS and REFTS	33
4.8.1 General	33
4.8.2 Validation report requirements.....	33
4.9 Site validation for the calibration of biconical and dipole antennas, and the biconical part of hybrid antennas in vertical polarization.....	34
4.10 Validation of a CALTS using vertical polarization from 5 MHz to 30 MHz for the calibration of monopole antennas.....	35
4.10.1 General	35
4.10.2 Uncertainty evaluation	36
5 Validation methods for a FAR from 30 MHz to 18 GHz.....	36
5.1 General.....	36

5.2	Validation procedure 1 GHz to 18 GHz.....	37
5.2.1	Power transfer between two antennas	37
5.2.2	Measurement procedure for validation from 1 GHz to 18 GHz.....	37
5.2.3	Analysis of results	39
5.2.4	Acceptance criterion	40
5.2.5	Chamber performance versus polarization	41
5.2.6	Uncertainty	41
5.3	Validation of a FAR for the calibration of antennas by alternative methods.....	42
5.3.1	General	42
5.3.2	Validation of a FAR from 30 MHz to 1 GHz	42
5.3.3	Alternative validation of a FAR for the calibration of LPDA antennas above 1 GHz.....	42
5.3.4	Alternative validation of a FAR applying time-domain measurements above 500 MHz.....	43
6	Validation methods for sites used for the calibration of directive antennas.....	43
6.1	Validation of the calibration site minimizing ground reflection by a height ≥ 4 m	43
6.1.1	Measurement procedure	43
6.1.2	Uncertainties	45
6.2	Validation of the calibration site minimizing ground reflection by use of absorber	46
7	Site validation by comparison of antenna factors, and application of RSM to evaluate the uncertainty contribution of a SAC site	47
7.1	Use of SAM for site validation by comparison of antenna factors	47
7.2	Application of RSM to evaluate the measurement uncertainty contribution of a calibration site comprising a SAC.....	48
Annex A	(informative) CALTS characteristics and validation	50
A.1	General.....	50
A.2	The reflecting plane	50
A.2.1	Reflecting plane construction.....	50
A.2.2	Plane-edge effects and plane surroundings	51
A.3	Ancillary equipment	51
A.4	Additional stringent CALTS validation testing	52
A.4.1	General	52
A.4.2	Antenna-height scan measurements	52
A.4.3	Frequency scan measurements	53
Annex B	(informative) Test antenna considerations.....	56
B.1	General.....	56
B.2	Example and verification of a test antenna	56
B.3	Determination of balun properties	58
B.3.1	The ideal lossless balun	58
B.3.2	Relations between balun properties and S -parameters	59
B.3.3	Insertion loss measurements	60
Annex C	(informative) Antenna and SIL theory.....	63
C.1	Analytical relations.....	63
C.1.1	General	63
C.1.2	Total length of the test antenna	64
C.1.3	Theoretical SIL	65
C.1.4	Calculation example	69

C.2	Computations by the MoM.....	72
C.2.1	General	72
C.2.2	Antenna input impedance	73
C.2.3	Total length of the test antenna	73
C.2.4	SIL computations	73
C.2.5	Antenna factor (AF) computations.....	80
Annex D (informative)	Pascal Program used in C.1.4	84
Annex E (informative)	Validation procedure checklist.....	88
Annex F (informative)	Evidence that field taper of VP site validation method has negligible effect on measured antenna factor	90
F.1	Investigation of vertical field taper.....	90
F.2	Calibration of biconical antennas using vertical polarization.....	90
Bibliography.....		92
Figure 1	– Schematic diagram of the test antenna	18
Figure 2	– Adjustment of a telescopic wire element to the length L_{we}	19
Figure 3	– Determination of $V_{r1}(f)$ or $V_{r2}(f)$	23
Figure 4	– Determination of $V_s(f)$ with the wire antennas in their specified positions	23
Figure 5	– Example NSIL: horizontal polarization, antenna height 2 m, separation 10 m	26
Figure 6	– NSIL of the four pairs of calculable dipoles at 10 m separation and using the alternative heights for the 600 MHz to 1 000 MHz pair according to Table 5.....	27
Figure 7	– Relation between the quantities used in the SIL acceptance criterion	29
Figure 8	– Set-up of site validation for EMC antenna calibrations above 1 GHz in a FAR, also showing distance between antenna phase centres.....	38
Figure 9	– Example plots of $[A_{im}(d) - A_{im}(d_3 m)]$ in dB against distance in m at 1 GHz to 18 GHz in 1 GHz steps, corrected for LPDA and horn phase centres	40
Figure 10	– Example of antenna set-up for an LPDA antenna calibration in the frequency range above 200 MHz.....	44
Figure 11	– Example of SIL versus antenna height measured at 200 MHz with two LPDA antennas in vertical polarization at 2,5 m distance between their midpoints above the reflecting ground plane of an OATS	45
Figure 12	– Illustration of distances of transmit horn to omni-directional receive antenna and reflective building, and transmitted signal paths A and B	45
Figure B.1	– Example of a test antenna	58
Figure B.2	– Diagram of the measurement of S_{11} and S_{12} , and of S_{22} and S_{21} , when generator and load are interchanged	59
Figure B.3	– Schematic diagram for determination of the insertion loss $A_1(f)$	61
Figure B.4	– Schematic diagram for determination of the insertion loss $A_2(f)$	61
Figure C.1	– Network model for A_{ic} calculations	66
Figure C.2	– Equivalent circuit to the network in Figure C.1	66
Figure C.3	– Definition of the mutual couplings, feed-terminal voltages and antenna currents of the antennas above the reflecting plane and their images	67
Figure C.4	– Cascade combination of the baluns and the site two-port network	74
Figure C.5	– Flow chart showing how SIL is obtained by combining the measured balun S -parameters and the NEC calculated S -parameters of the site two-port network	75
Figure F.1	– Field uniformity with height step 1 m to 2,6 m, normalized to field at 1,8 m height; monocone at 15 m range.....	90

Figure F.2 – Averaging of height steps, SAM, B.4.2 in CISPR 16-1-6:2014	91
Table 1 – Summary of site validation methods by subclause number	9
Table 2 – Maximum tolerances for $d = 10$ m	18
Table 3 – Frequency and fixed receive antenna height data for SIL measurements at 24 frequencies, with $h_t = 2$ m and $d = 10$ m [specified in 4.4.2.3 and 4.4.2.4]	22
Table 4 – RSM frequency steps	25
Table 5 (informative) – Antenna heights for SIL measurements	26
Table 6 – Antenna set-up for the SIL measurement of the calibration site using horizontally polarized resonant dipole antennas (see also 4.4.4 for SIL at 250 MHz and 300 MHz)	31
Table 7 – Antenna heights	32
Table 8 – Example measurement uncertainty budget for SIL between two monopole antennas	36
Table 9 – Example measurement uncertainty budget for FAR validation method at and above 1 GHz	41
Table 10 – Example measurement uncertainty budget for the site validation method in 6.1.1	46
Table 11 – Maximum tolerances for validation set-up at $d = 10$ m	49
Table A.1 – Example of fixed-length calculable dipole antennas and their subdivision of the frequency range 30 MHz to 1 000 MHz	51
Table A.2 – Receive antenna heights and centre frequencies	54
Table C.1 – Example numerical (analytical) calculation of L_a , A_{iC} (see C.1.4.2)	69
Table C.2 – Example numerical (analytical) calculation of ΔA_t (see C.1.4.3)	71
Table C.3 – Example numerical (analytical) calculation of h_{rC} and Δh_{rt}	72
Table C.4 – Example numerical (analytical) calculation of f_C and Δf_t	72
Table C.5 – MoM example calculation of A_{iC} for vertical polarization, $h_t = 2$ m, except $h_t = 2,75$ m at 30 MHz, 35 MHz and 40 MHz	78

INTERNATIONAL ELECTROTECHNICAL COMMISSION
INTERNATIONAL SPECIAL COMMITTEE ON RADIO INTERFERENCE

**SPECIFICATION FOR RADIO DISTURBANCE AND IMMUNITY
MEASURING APPARATUS AND METHODS –**

**Part 1-5: Radio disturbance and immunity measuring apparatus –
Antenna calibration sites and reference test sites for 5 MHz to 18 GHz**

FOREWORD

- 1) The International Electrotechnical Commission (IEC) is a worldwide organization for standardization comprising all national electrotechnical committees (IEC National Committees). The object of IEC is to promote international co-operation on all questions concerning standardization in the electrical and electronic fields. To this end and in addition to other activities, IEC publishes International Standards, Technical Specifications, Technical Reports, Publicly Available Specifications (PAS) and Guides (hereafter referred to as "IEC Publication(s)"). Their preparation is entrusted to technical committees; any IEC National Committee interested in the subject dealt with may participate in this preparatory work. International, governmental and non-governmental organizations liaising with the IEC also participate in this preparation. IEC collaborates closely with the International Organization for Standardization (ISO) in accordance with conditions determined by agreement between the two organizations.
- 2) The formal decisions or agreements of IEC on technical matters express, as nearly as possible, an international consensus of opinion on the relevant subjects since each technical committee has representation from all interested IEC National Committees.
- 3) IEC Publications have the form of recommendations for international use and are accepted by IEC National Committees in that sense. While all reasonable efforts are made to ensure that the technical content of IEC Publications is accurate, IEC cannot be held responsible for the way in which they are used or for any misinterpretation by any end user.
- 4) In order to promote international uniformity, IEC National Committees undertake to apply IEC Publications transparently to the maximum extent possible in their national and regional publications. Any divergence between any IEC Publication and the corresponding national or regional publication shall be clearly indicated in the latter.
- 5) IEC itself does not provide any attestation of conformity. Independent certification bodies provide conformity assessment services and, in some areas, access to IEC marks of conformity. IEC is not responsible for any services carried out by independent certification bodies.
- 6) All users should ensure that they have the latest edition of this publication.
- 7) No liability shall attach to IEC or its directors, employees, servants or agents including individual experts and members of its technical committees and IEC National Committees for any personal injury, property damage or other damage of any nature whatsoever, whether direct or indirect, or for costs (including legal fees) and expenses arising out of the publication, use of, or reliance upon, this IEC Publication or any other IEC Publications.
- 8) Attention is drawn to the Normative references cited in this publication. Use of the referenced publications is indispensable for the correct application of this publication.
- 9) Attention is drawn to the possibility that some of the elements of this IEC Publication may be the subject of patent rights. IEC shall not be held responsible for identifying any or all such patent rights.

International Standard CISPR 16-1-5 has been prepared by CISPR subcommittee A: Radio-interference measurements and statistical methods.

This second edition cancels and replaces the first edition published in 2003, and its Amendment 1 (2012). It constitutes a technical revision.

It has the status of a basic EMC publication in accordance with IEC Guide 107, *Electromagnetic compatibility – Guide to the drafting of electromagnetic compatibility publications*.

This edition includes the following significant technical changes with respect to the previous edition:

- site validation methods for other sites covered in CISPR 16-1-6 are added;
- smaller step sizes are specified for swept-frequency measurements;
- the minimum ground plane size is increased;
- other miscellaneous technical and editorial refinements are included.

The text of this standard is based on the following documents:

FDIS	Report on voting
CISPR/A/1086A/FDIS	CISPR/A/1097/RVD

Full information on the voting for the approval of this standard can be found in the report on voting indicated in the above table.

A list of all parts of the CISPR 16 series can be found, under the general title *Specification for radio disturbance and immunity measuring apparatus and methods*, on the IEC website.

This publication has been drafted in accordance with the ISO/IEC Directives, Part 2.

The committee has decided that the contents of this amendment and the base publication will remain unchanged until the stability date indicated on the IEC web site under "<http://webstore.iec.ch>" in the data related to the specific publication. At this date, the publication will be

- reconfirmed,
- withdrawn,
- replaced by a revised edition, or
- amended.

IMPORTANT – The 'colour inside' logo on the cover page of this publication indicates that it contains colours which are considered to be useful for the correct understanding of its contents. Users should therefore print this document using a colour printer.

The contents of the corrigendum of August 2020 have been included in this copy.

INTRODUCTION

This standard describes validation procedures for Calibration Test Sites (CALTS) that are used to calibrate antennas in the frequency range 5 MHz to 18 GHz. The associated antenna calibration procedures are described in CISPR 16-1-6.

Due to problems with suppressing ground reflections in the frequency range 30 MHz to 200 MHz, the main function of a reflecting ground plane is for the calibration of dipole, biconical, and hybrid antennas over the frequency range for which their H-plane patterns are uniform. The free-space antenna factor, F_a , for dipole antennas may be measured in a free-space environment above 200 MHz. Because of the difficulty of reducing reflections from objects that surround an antenna, and in particular the ground surface, a flat metal ground plane is used to ensure reproducibility of results and to enable the ground reflected signal to be precisely removed mathematically.

Requirements for the construction of a CALTS are given in Annex A. The specifications and validation procedures for a CALTS are given in Clause 4. The most precise way of validating a CALTS is to use calculable dipole antennas, which are the basis of the validation procedure in this standard. The design principles of calculable antennas are given in Annex B, and the theory and methods for calculating site insertion loss (SIL) are given in Annex C and Annex D.

Validation procedures for other antenna calibration sites are given in Clause 5 through Clause 7. Where an antenna calibration method utilizes the ground reflection, a CALTS is required. The validation methods are summarized in Table 1 with reference to the associated antenna calibration methods in CISPR 16-1-6.

All site validation methods involve the measurement of SIL between two antennas. It is critical that the validation of the site itself not be unduly compromised by reflections from antenna supports; see A.3 for associated guidance.

STANDARDSISO.COM : Click to view the full text of CISPR 16-1-5:2014

Table 1 – Summary of site validation methods by subclause number

Calibration site(s)	CISPR 16-1-5 validation method(s) Subclause	CISPR 16-1-6:2014 calibration method(s) Subclause	Frequency range MHz	Antenna type(s)	Polarization	Notes
1 CALTS for monopoles	4.10	G.1	5 to 30	Monopole	VP	With tolerance of ± 1 dB
2 CALTS or SAC ^a	4, 7.2	8.4	30 to 1000	Biconical, LPDA, hybrid	HP	SSM
3 CALTS or SAC	4	9.2.2	30 to 300	Biconical, hybrid, dipole	HP or VP	At large height or with absorber on ground
4 FAR	5.3.2	9.2.2	30 to 300 60 to 1000	Biconical, hybrid, dipole Biconical, dipole	HP	
5 REFTS CALTS	4.7 4.9	9.3	30 to 300	Biconical, hybrid	VP	
6 Free space	6.1	9.4.2 9.4.3	200 to 18000	LPDA, hybrid, horn	VP	HP with greater height
7 Free space	6.2	9.4.4	200 to 18000	LPDA, hybrid, horn	VP (or HP)	With absorber on ground
8 FAR	5.3.3	9.5	1000 to 18000	Horn, LPDA	HP or VP	
9 FAR	5.3.2	9.2 and 9.4	140 to 1000	LPDA, hybrid	HP or VP	
10 CALTS	4.6	B.4, B.5	30 to 300	Biconical, dipole	HP	
11 Transfer of properties of a validated site to a site not validated by methods in other clauses	7.1 (excluding 5.3 FAR)	A.9.4	30 and above	Any, but not monopole or loop	HP or VP	Use primarily for SAM and FAR, for particular antenna types and frequencies, except 5.3
^a A CALTS is well specified as being free of reflecting obstacles, and if the antenna supports have negligible reflections the ground plane itself is likely to provide results that agree with the theoretical performance to better than 0.5 dB. However for a Semi Anechoic Chamber (SAC), it is important that the entire allowed acceptance criterion of 1 dB is not taken up by wall reflections, leaving no latitude for other uncertainty components such as reducing reflections from masts and cables.						

SPECIFICATION FOR RADIO DISTURBANCE AND IMMUNITY MEASURING APPARATUS AND METHODS –

Part 1-5: Radio disturbance and immunity measuring apparatus – Antenna calibration sites and reference test sites for 5 MHz to 18 GHz

1 Scope

This part of CISPR 16 specifies the requirements for calibration sites in the frequency range 5 MHz to 18 GHz used to perform antenna calibrations according to CISPR 16-1-6. It also specifies the requirements for reference test sites (REFTS) that are used for the validation of compliance test sites (COMTS) in the frequency range 30 MHz to 1000 MHz according to CISPR 16-1-4.

It has the status of a basic EMC standard in accordance with IEC Guide 107, *Electromagnetic compatibility – Guide to the drafting of electromagnetic compatibility publications*.

Measurement instrumentation specifications are given in CISPR 16-1-1 [1]¹ and CISPR 16-1-4. Further information and background on uncertainties in general is given in CISPR 16-4 [3], which can also be helpful in establishing uncertainty estimates for the calibration processes of antennas and site validation measurements.

2 Normative references

The following documents, in whole or in part, are normatively referenced in this document and are indispensable for its application. For dated references, only the edition cited applies. For undated references, the latest edition of the referenced document (including any amendments) applies.

CISPR 16-1-4:2010, *Specification for radio disturbance and immunity measuring apparatus and methods – Part 1-4: Radio disturbance and immunity measuring apparatus – Antennas and test sites for radiated disturbance measurements*
CISPR 16-1-4:2010/AMD 1:2012

CISPR 16-1-6:2014, *Specification for radio disturbance and immunity measuring apparatus and methods – Part 1-6: Radio disturbance and immunity measuring apparatus – EMC antenna calibration*

IEC 60050 (all parts), *International Electrotechnical Vocabulary* (available at <<http://www.electropedia.org>>)

3 Terms, definitions and abbreviations

3.1 Terms and definitions

For the purposes of this document, the terms and definitions given in IEC 60050, as well as the following apply.

NOTE Full terms for abbreviations not already given in 3.1 are listed in 3.2.

¹ Numbers in square brackets refer to the bibliography.

3.1.1 Antenna terms

3.1.1.1

antenna

transducer that converts the guided electromagnetic energy of the feed line into a radiated wave in space and vice versa

Note 1 to entry: In the context of this standard, for antennas for which a balun is intrinsic to the functioning of the antenna, the term “antenna” includes the balun.

3.1.1.2

biconical antenna

symmetric antenna formed by two conical radiating elements having a common axis, and adjacent vertices at which they are fed

Note 1 to entry: For use in the VHF band, biconical antennas are usually made of two conical-shaped wire cages. Often each cage has a cross-bar connecting the centre conductor and one of the peripheral wires to remove a narrowband resonance. Such shorting cross-bars can affect the characteristics of the antenna above 215 MHz. For more details, see also A.4.3 of CISPR 16-1-6:2014.

3.1.1.3

broadband antenna

antenna having acceptable characteristics over a wide range of radio frequencies

3.1.1.4

calculable antenna

dipole-like antenna of which the antenna factor of a single antenna, and the site insertion loss between a pair of antennas, may be calculated using either analytical or numerical (method of moments) techniques based on the dimensions, load impedance and geometrical parameters, and that can be verified by measurement

Note 1 to entry: An example of a calculable antenna is that specified in Annex B. Another example is a simple loop antenna.

Note 2 to entry: Effects of the balun are typically accounted for by S -parameters measurements of the balun network, or the balun structure can be modelled.

3.1.1.5

horn antenna

antenna consisting of a waveguide section in which the cross-sectional area increases towards an open end, which is known as the aperture

Note 1 to entry: Rectangular-waveguide pyramidal horn antennas are popular in the microwave frequency range above about 1 GHz. Double-ridged-waveguide horn antennas (DRH; sometimes also referred to as DRG horn, for double-ridged-guide) cover a very wide frequency range. The mainlobe of some DRH antennas splits into several beams at higher frequencies.

3.1.1.6

hybrid antenna

antenna consisting of a wire-element log-periodic dipole array section and a broadband dipole section

Note 1 to entry: The longest element of the LPDA section (see 3.1.1.7) is typically resonant at approximately 200 MHz, and the boom is lengthened at the open-circuit end to feed the connected broadband dipole (e.g. biconical or bowtie) section. Over the range 30 MHz to 200 MHz, the broadband dipole exhibits a performance similar to a biconical antenna, notably in the variation of height-dependent antenna factor.

Note 2 to entry: A common-mode choke is typically used at the open-circuit end (i.e. rear) of the boom to minimize parasitic (unintended) RF currents on the outer conductor of the coaxial cable flowing into the measuring receiver.

3.1.1.7**log-periodic dipole array antenna****LPDA antenna**

antenna comprising an array of linear dipole elements whose dimensions and spacings increase logarithmically with frequency from the tip to the rear end of the antenna

3.1.1.8**resonant dipole antenna****tuned dipole antenna**

antenna consisting of two straight collinear conductors of equal length, placed end to end, separated by a small gap constituting a balanced feed, with each conductor approximately a quarter-wavelength long such that at the specified frequency the input impedance of the antenna measured across the gap has zero reactance when the dipole is located in free space

Note 1 to entry: A resonant dipole antenna is also a calculable antenna (see 3.1.1.4). In this standard the term "linear dipole" implies "two straight collinear conductors," in contrast to the biconical dipole, or array of dipoles as in the LPDA antenna.

3.1.1.9**standard antenna****STA**

antenna for which the AF is calculated or measured precisely

Note 1 to entry: Precision is attainable by a calculable antenna such as specified in 4.3. Alternatively an STA may be an antenna of a type similar to the AUC that has been calibrated to lower uncertainties than required for the AUC, e.g. by the three antenna method.

Note 2 to entry: An STA is used for measurements by the standard antenna method (see 4.3.5, etc. of CISPR 16-1-6:2014). An STA is mechanically robust such that reproducibility of AF to better than $\pm 0,2$ dB is maintained with continuous use of the STA. Balance and cross-polar criteria applicable to the STA are found in 6.3.2 and 6.3.3 of CISPR 16-1-6:2014.

3.1.1.10**balun**

device for transforming an unbalanced transmission line to a balanced transmission line and vice versa

Note 1 to entry: A balun is used, for example, to couple balanced antenna elements to an unbalanced feed line, such as a coaxial cable. A balun may exhibit inherent impedance transformation differing from unity.

3.1.1.11**test antenna**

combination of the resonant dipole antenna and the specified balun

Note 1 to entry: The definition is for the purposes of this standard only (see also 3.1.1.8 resonant dipole antenna, and 3.1.1.12 wire antenna). The test antenna is described in 4.3.

3.1.1.12**wire antenna**

a specified structure consisting of one or more metallic wires or rods for radiating or receiving electromagnetic waves

Note 1 to entry: A wire antenna does not contain a balun.

Note 2 to entry: In the context of this standard, a wire antenna connected to a balun is called a "test antenna" (see 3.1.1.11).

3.1.1.13**antenna factor**

F_a

ratio of the electric field strength of a plane wave incident from the direction corresponding to the mechanical boresight (i.e. the main axis of the antenna) to the voltage induced across a specified load connected to the antenna, measured in a free-space environment

Note 1 to entry: The abbreviation AF is used as a general term to denote antenna factor, whereas F_a denotes the boresight AF in free-space. AF is affected by the load impedance (typically 50 Ω) connected to the antenna, and is frequency dependent. AF can be affected by mutual coupling of the antenna to the ground plane, and is directivity dependent. For more details see the definitions and 4.2 in CISPR 16-1-6:2014.

Note 2 to entry: The AF has the physical dimension in dB relative to 1/m [dB(m⁻¹)]. In radiated emission measurements, if F_a is known, the strength of an incident field, E , can be calculated from a reading, V , of a measuring receiver connected to the antenna as follows:

$$E = V + F_a$$

where E is in dB(μ V/m), V is in dB(μ V) and F_a is in dB(m⁻¹).

3.1.2 Measurement site terms

3.1.2.1 calibration site

any site at which an antenna is calibrated

Note 1 to entry: Calibration sites include a CALTS (see 3.1.2.2) on which the ground reflection is intentionally used, a FAR (see 3.1.2.5), and an open-area calibration site (see Clause 6) at which the antennas are high enough above the ground to reduce the ground reflection. For each of these, any reflections from all directions meet the appropriate site acceptance criteria for antenna calibration.

3.1.2.2 calibration test site CALTS

calibration site with a metallic ground plane and tightly specified site insertion loss in horizontal electric field polarization

Note 1 to entry: A CALTS is used for the measurement of height dependent AF, and to measure free-space AF by the standard site method.

Note 2 to entry: A CALTS can also be validated for: a) vertical polarization using the method of 4.7 (see also 3.1.2.7 definition of REFTS); and b) use for other specific CISPR 16-1-6 calibration methods using the methods of 4.9 and 4.10 (see also Table 1).

3.1.2.3 compliance test site COMTS

environment that assures valid, reproducible measurement results of disturbance field strength from equipment under test for comparison to a compliance limit

Note 1 to entry: Requirements for a COMTS, including those for site validation, are specified in CISPR 16-1-4.

3.1.2.4 free space

environment where it has been shown that the effect of any obstacle, including the ground, on the radiated signals passing directly between two antennas is below a specified uncertainty contribution for the measurement of F_a

3.1.2.5 fully-anechoic room FAR

an enclosure, the six internal surfaces of which are lined with radio-frequency absorbing material (i.e. RF absorber) that attenuates electromagnetic energy in the frequency range of interest

Note 1 to entry: A FAR suitable for antenna calibration has a tighter field uniformity specification compared with that for EMC radiated disturbance measurement specified in CISPR 16-1-4. If ambient RF interference prevents the required signal to noise ratio, the FAR should be built inside a shielded enclosure. The site acceptance criteria are given in the FAR validation methods in this standard.

3.1.2.6

ideal open-area test site ideal OATS

open-area test site having a perfectly flat, perfectly conducting ground plane of infinite area, and with no reflecting objects except the ground plane

Note 1 to entry: An ideal OATS is a theoretical construct that is used in the calculation of the theoretical normalized site insertion loss for ground plane sites.

Note 2 to entry: For an ideal OATS the absolute value of the reflection coefficient of the ground plane is $r = 1$, and the phase difference of the incoming and reflected EM waves at the ground plane is $\phi = \pi$ radians for horizontal polarization, and zero radians for vertical polarization.

3.1.2.7

reference test site REFTS

test site with metallic ground plane and tightly specified site insertion loss in horizontal and vertical electric field polarizations

3.1.3 Other terms

3.1.3.1

measuring receiver

signal measuring instrument, such as a stepping receiver, a spectrum analyzer, or the receiving part of a network analyzer, that fulfils the selectivity and linearity requirements of the relevant calibration method

Note 1 to entry: The term measuring receiver may also imply the full functions of a vector network analyzer. In this standard, the term signal means an RF sinusoidal signal with constant amplitude. For the purposes of antenna calibration and site validation, this definition is a modification of that found in CISPR 16-1-1 [1] and CISPR 16-2-3 [2].

3.1.3.2

null

node in signal level resulting from the vector sum of the direct and ground-reflected signals at the receive antenna and with the level being considerably lower than the in-phase sum of these signals

Note 1 to entry: The dip in signal level on boresight for some DRH antennas is sometimes referred to as a null. This definition does not apply to such dips.

Note 2 to entry: IEC 60050-726:1982, 726-02-07 defines standing-wave minimum, with synonym node (of a standing wave), as the location in a propagation medium where the vectorial sum of a specified field quantity of two waves creating a standing wave is a minimum.

3.1.3.3

site attenuation SA

minimum site insertion loss measured between two polarization-matched antennas located above a conducting ground plane on a calibration site when one antenna is moved vertically over a specified height range and the other is set at a fixed height

Note 1 to entry: The terms site insertion loss (see 3.1.3.4) and site attenuation describe essentially the same measurement, however the term site attenuation (SA) is used in the context of finding the minimum site insertion loss (SIL) between a pair of antennas when one antenna is scanned in height above a ground plane.

3.1.3.4**site insertion loss****SIL**

transmission loss between two polarization-matched antennas when a direct electrical connection via cables and attenuators between the signal generator output and the measuring receiver input is replaced by a transmit antenna and a receive antenna placed at specified positions on a calibration site

Note 1 to entry: In this standard, the symbol $A_{i,c}$ signifies the theoretical SIL in dB, and the symbol $A_{i,m}$ signifies measured SIL in dB.

Note 2 to entry: The symbol A_i uses A as the conventional symbol for attenuation, with the subscript i denoting insertion; for A_i the subscript is not to be confused with usage in this standard of i as an index symbol, e.g. $i = 1, 2, 3$.

Note 3 to entry: The SIL, A_i , in dB is given by the difference between the received voltages, V_{DIRECT} and V_{SITE} , in dB(μ V) that are measured with direct connection and with antennas connected, respectively:

$$A_i = V_{\text{DIRECT}} - V_{\text{SITE}}$$

SIL is defined as a loss factor, so that the antenna geometry giving minimum SIL (see also 3.1.3.3 site attenuation) means the maximum signal is being received.

3.2 Abbreviations

The following abbreviations, not already given in 3.1, are used in this standard.

AF	antenna factor
AUC	antenna under calibration
DRH	double-ridged horn antenna
EM	electromagnetic
EMC	electromagnetic compatibility
EUT	equipment under test
HP	horizontal polarization
MoM	method of moments
NSA	normalized site attenuation
NSIL	normalized site insertion loss
OATS	open-area test site
RF	radio frequency
RSM	reference site method
RSS	root sum square
SAC	semi anechoic chamber
SAM	standard antenna method
SSM	standard site method
TAM	three antenna method
VNA	vector network analyzer

VP vertical polarization

VSWR voltage standing wave ratio

4 Specifications and validation procedures for CALTS and REFTS from 5 MHz to 1 000 MHz

4.1 General

This clause specifies the requirements and a validation procedures for a site suitable for the calibration of antennas above a conducting flat metal plane in the frequency range of 5 MHz to 1 000 MHz. A calibration site meeting these requirements in horizontal polarization is referred to as a CALTS. A CALTS that meets the requirements in vertical polarization may be used as a REFTS. The validation of a CALTS in VP for the calibration of monopole antennas is described in 4.10.

NOTE 1 Although a CALTS and a REFTS are validated by the same methods, a CALTS is used for antenna calibration, whereas a REFTS is used as a reference for validation of a COMTS. Consequently a REFTS may have a less tight acceptance criterion than a CALTS.

NOTE 2 A method for validating a CALTS in VP is given in 4.7.3. The primary validation in HP proves that the ground plane is sufficiently flat and conducting, and this validation applies equally for HP and VP. However in VP there can be larger reflections from antenna supports and cables, therefore validation in VP is needed to support antenna calibrations that use VP.

NOTE 3 For sites at which the SSM is only used to calibrate LPDA antennas, i.e. which are directional, dipole antennas are not essential for site validation. Use of the reference site method (i.e. see CISPR 16-1-4) with a pair of LPDA antennas is suitable. However, a site that is validated by dipoles will be well within the site acceptance criterion required for the SSM performed with pairs comprised of three LPDA antennas.

A method for the validation of a SAC for antenna calibration purposes using the RSM (RSM is described in CISPR 16-1-4) is given in 7.2.

The annexes to this standard contain informative material for a CALTS, and for a calculable dipole to be used in the CALTS validation procedures. They give an analytical model in detail for calculating theoretical site insertion loss (SIL) using resonant dipole (tuned dipole) antennas, together with numerical examples, and a checklist for the validation procedure. The annexes also describe method of moments (MoM) computations of the SIL of a pair of broadband calculable dipole antennas, from which AF can be derived.

NOTE 4 The implementation of Clause 4 is considerably aided by the use of for example the CAP2010 software [24], as described in C.2.

4.2 Antenna calibration test site (CALTS) specification

4.2.1 General

The CALTS comprises the following main components:

- an electrically conducting flat metal plane (the reflecting plane);
- an electromagnetically obstruction-free area surrounding the reflecting plane.

In addition, the following ancillary equipment is needed:

- two antenna masts supporting the antennas;
- the cables to be connected to these antennas; and
- electronic equipment, such as an RF signal generator and a measuring receiver, or a VNA.

The normative specification for a CALTS is given in 4.2.2 (with the associated acceptance criterion in 4.5.3), while Annex A contains a number of informative specifications as guidance

to construct and situate a CALTS in such a way that the acceptance criteria will be met. Annex A also gives details of additional stringent CALTS validation test methods (i.e. A.4).

4.2.2 Normative specification

A CALTS shall comply with the acceptance criterion given in 4.5.3. A subset of the frequency range 30 MHz to 1 000 MHz may be used if the CALTS is only used for antenna calibration in that subset.

Compliance at the 24 frequencies from 30 MHz to 1 000 MHz of Table 3 (see 4.4.3.1), measured by calculable dipoles (see 4.4.4), establishes that the ground plane is of sufficient size, flatness and conductivity, and sufficiently free of reflections from obstacles at those 24 frequencies. Compliance at all other frequencies required for antenna calibration, either by calculable dipoles or by the reference site method (RSM) according to 4.4.5, establishes whether or not abnormalities exist in the electrical characteristics of the CALTS, e.g. reflections from obstacles such as buildings, wires, fences and trees, and also antenna masts and cables.

Where vertical polarization is used for the calibration of antennas or reference SIL measurements, the CALTS shall comply with the acceptance criterion in 4.7.3.5.

NOTE 1 A more stringent test of site validation is given in A.4, in which a null signal is recorded in a search either of antenna height or frequency.

NOTE 2 In the CALTS validation procedure, equipment is used that is also subject to normative specifications, i.e. see 4.3 and 4.4.

NOTE 3 The CALTS validation report (see 4.8) will contain information on how compliance with the requirements is maintained, so that the CALTS is deemed to comply with the requirements during its actual use.

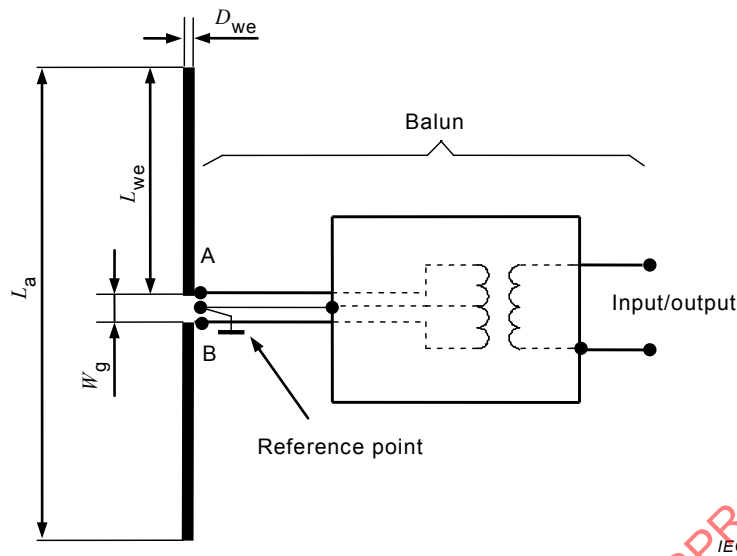
4.3 Test antenna specification

4.3.1 General

Antennas that can be accurately modeled are needed for the (numerical) computation of the theoretical site insertion loss A_{iC} used in the validation procedure. Therefore, the test antenna shall be a dipole connected to a balun with specified properties. The normative test antenna specifications are given in 4.3.2. An example of the construction of a test antenna is given in Annex B.

The test antenna consists of a balun and two collinear wire elements (conductors) each having a diameter D_{we} and length L_{we} . These elements are connected to the two feed terminals (A and B in Figure 1) at the balun. The gap between these feed terminals has a width W_g . The tip-to-tip length L_a of the antenna is given by $L_a = 2L_{we} + W_g$. The centre of the test antenna is in the middle of the feed-terminal gap on the centre-line of the two collinear wire elements.

The balun has an unbalanced input/output (transmit/receive antenna) port and a balanced port at the two feed terminals A and B. As an example, in Figure 1 the purpose of the balun is indicated schematically by the balance/unbalance transformer.



NOTE The centre of the test antenna is in the middle of the gap on the centre-line of the two wire elements.

Figure 1 – Schematic diagram of the test antenna

4.3.2 Details of the required characteristics of the test antenna

In the following list, a quantity ΔX represents the maximum tolerance allowed in the antenna structure with respect to a parameter value X . The quantitative data specifications for these tolerances are summarized in Table 2.

Table 2 – Maximum tolerances for $d = 10$ m

Parameter (X)	Maximum tolerance (ΔX)	Subclause
L_a	$\pm 0,0025 L_a$ or $\pm 0,001$ (m) if $L_a < 0,400$ (m)	4.3.2 d)
D_{we}	$\pm 0,0025 D_{we}$	4.3.1
Z_{AB}	VSWR $\leq 1,10$	4.3.2 e) 1)
A_b	$\pm 0,3$ dB ^a	4.3.2 e) 2)
ϕ_b	$\pm 4^\circ$ ^a	4.3.2 e) 3)
d	$\pm 0,04$ m	4.4.2.3
h_t	$\pm 0,01$ m	4.4.2.4
h_r	$\pm 0,01$ m	4.4.2.5
f	$\pm 0,001f$	4.4.3.2

^a The tolerances on A_b and ϕ_b are yet to be verified but may be relaxed when proven by experimentation or modeling to have an effect $< 0,05$ dB on A_i . Alternatively, the uncertainties on A_i may be quantified for higher values of A_b and ϕ_b .

- a) The test antenna shall have identical wire elements of length L_{we} which can be disconnected from the balun to enable the balun parameters to be validated, and to allow the balun heads of the two antennas used in site insertion loss measurements to be connected together.
- b) With λ signifying wavelength, the tip-to-tip length $L_a(f, D_{we})$ of the approximately $\lambda/2$ wire antenna is determined by the condition that, at the specified frequency f and in free space, the absolute value of the imaginary part of the input impedance at the feed terminals is smaller than 1Ω .

NOTE 1 If the wire elements have a constant diameter and if $D_{we} \ll L_a$, then $L_a(f, D_{we})$ is calculated from Equation (C.3), or using MoM computations (see C.2.3).

NOTE 2 If the diameter is not a constant, e.g. when a telescopic antenna is used, $L_a(f)$ is calculated using MoM (see C.2.3). The telescopic elements are tuned in such a way that the elements having the largest diameter are used first (see Figure 2), and the MoM computations can account for this approach.

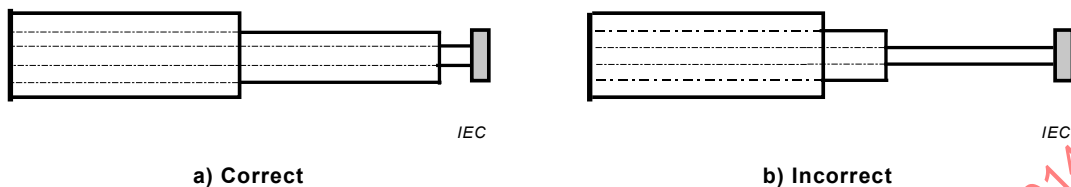


Figure 2 – Adjustment of a telescopic wire element to the length L_{we}

NOTE 3 The analytical formulation of C.1 applies only to SIL for resonant wire elements. The MoM formulation of C.2 agrees to less than 0,1 dB with the analytical calculation of SIL for resonant elements above an ideal ground plane or in free space, but for thin wires the agreement is better than 0,05 dB (see C.1.1). The MoM formulation has been applied to a fixed length wire element over a broad bandwidth [12], [23]. The accuracy of linear elements has been proved (see NOTE 4), but the elements could be of other designs, such as open structure (i.e. non cage) biconical elements, if it can be proven that these give the same or better performance.

- c) The feed-terminal gap shall be small enough that an agreement of less than 0,4 dB is achieved between measured and theoretical SIL between two resonant dipoles of the same length.

NOTE 4 The condition of $SIL < 0,4$ dB has been proved to be met using a gap of $W_g = 9$ mm from 30 MHz to 599 MHz and $W_g = 3$ mm from 600 MHz to 1 GHz.

- d) If the tip-to-tip length $L_a(f)$ of the actual wire antenna is within ΔL_a of the length $L_a(f)$ specified for that antenna (see Table 2), that length is presumed to be validated when the width of the feed-terminal gap complies with item c).
- e) The balanced port of the balun shall have:
- 1) an impedance Z_{AB} with a VSWR less than the maximum tolerance specified in Table 2, when the unbalanced port is terminated in the impedance Z_e (see NOTE 6) presented to it by the external circuitry (the antenna feed cable);
 - 2) an amplitude balance with respect to the balun reference point better than ΔA_b dB (see Table 2), when both feed terminals are terminated in an impedance $Z_{AB}/2$ with respect to the balun reference point;
 - 3) a phase balance of $(180^\circ \pm \Delta \phi_b)$ (see Table 2), when both feed terminals are terminated in an impedance $Z_{AB}/2$ with respect to the balun reference point.

NOTE 5 Connectors at the balun ports enable RF measurements to be made at the three balun ports. For example, SMA push-on connectors at the wire feed ports can be used.

NOTE 6 The impedance Z_e presented by the external circuitry is usually 50Ω , and which is the preferred value. Z_{AB} is the impedance at the port on the balun at A and B attaching to the two halves of the dipole element in Figure 1. The preferred value of this impedance is $Z_{AB} = 100 \Omega$ (real), i.e. the addition of 50Ω for each of the terminals A and B.

NOTE 7 The amplitude and phase balance requirements ensure that the signals at the feed terminals A and B are sufficiently equal in amplitude and opposite in phase with respect to the balun reference point. When the balanced port meets these requirements, the isolation between the two feed terminals will be more than 26 dB when the unbalanced port is terminated in the impedance Z_e .

NOTE 8 As far as practical, the balun components are oriented to present the minimum co-polarized reflecting surface to the wire antenna.

NOTE 9 The components of the balun are electrically shielded, so that their (parasitic) properties cannot be influenced by the surroundings. The balun reference point and the ground terminal of the output/input port are connected to that shield. An example balun is a 3 dB hybrid coupler with anti-phase outputs.

- f) The balun properties required in 4.3.2 e) may be determined from S -parameter measurements and, partly, from insertion loss measurements. Provided the balun properties are incorporated in the A_i calculation, the head-to-head connection of the

baluns in 4.4.4.2.1 and 4.4.4.2.3 (i.e. for insertion loss; see Figure 3) may be replaced by a cable-to-cable connection referenced to the balun inputs, when the full set of balun S -parameters are known.

NOTE 10 The port mismatches presented to the baluns by the generator and the receiver are sufficiently minimized using padding attenuators, where necessary.

NOTE 11 S -parameters and insertion loss measurements are described in B.3.1 and B.3.3, respectively.

- g) In the CALTS validation procedure, if test antennas and/or test equipment is used with Z_{AB} and/or Z_e differing from the preferred values of 100 Ω and 50 Ω , respectively, this should be explicitly mentioned in the validation report (see 4.8).

4.4 Antenna calibration test site validation procedure

4.4.1 General

In the CALTS validation procedure, the measured site insertion loss A_{im} is compared with the theoretically calculated site insertion loss A_{ic} of an ideal OATS (see 3.1.2.6). The procedure thus verifies whether a CALTS sufficiently meets the properties assumed in the SIL calculations.

The properties of ground plane flatness and size, reflection coefficient magnitude, and influence of surroundings constituting an ideal OATS are verified simultaneously in a SIL measurement procedure using fixed antenna heights (see 4.4.4), after which the measured and calculated SIL results are compared.

The properties of ground plane flatness and size, phase difference of incoming and reflected waves, and influence of surroundings constituting an ideal OATS may additionally be verified simultaneously in a scanned frequency or scanned height measurement procedure (see A.4).

In the following subclauses, a quantity $\pm \Delta X$ represents the maximum tolerance allowed in the validation procedure of a parameter value X . The quantitative specifications for the tolerances are summarized in Table 2.

4.4.2 Test set-up

4.4.2.1 The centres of the test antennas, the antenna masts, and the antenna coaxial cables are positioned in a plane perpendicular to the reflecting plane, and centrally located on the reflecting plane.

NOTE 1 The centre of the test antenna is defined in 4.3.1 (see also Figure 1).

4.4.2.2 The collinear wire elements are positioned parallel to the reflecting plane (i.e. horizontal polarization) throughout these tests (i.e. perpendicular to the (vertical) plane mentioned in 4.4.2.1).

At the lower end of the frequency range, e.g. 30 MHz to 40 MHz, the relatively long wire elements can droop, thus influencing the measurement results. This influence may be eliminated by physically propping up the wire elements, or the influence shall be accounted for in the calculation of the theoretical site insertion loss.

4.4.2.3 The horizontal distance between the centres of the test antennas is

$$d = 10,00 \text{ m} \pm \Delta d \text{ m} (\Delta d \text{ per Table 2}).$$

4.4.2.4 The height of the centre of the transmit antenna above the reflecting plane is

$$h_t = 2,00 \text{ m} \pm \Delta h_t \text{ m} (\Delta h_t \text{ per Table 2}).$$

4.4.2.5 The height of the centre of the receive antenna above the reflecting plane shall be adjustable to the heights $h_r \pm \Delta h_r$, as specified in Table 3 (4.4.3.1) and Table 2 (4.3.2).

4.4.2.6 The coaxial cables connected to the baluns of the transmit and receive antennas run perpendicular to the wire elements and parallel to the reflecting plane, over a distance of at least 1 m from the wire elements. After that, the cables may drop vertically down to the reflecting plane and (preferably) continue to run underneath the reflecting plane, or on top of that plane perpendicularly to the wire elements until they reach the edge of the plane. When the cables run partly underneath the reflecting plane, the conductive sheath of the cable should be bonded (360° around) to the reflecting plane at the penetration point through that plane.

Where unbalance is known or suspected, ferrite loading of the coaxial cables connected to the baluns is advised to reduce common mode coupling. A method of quantifying the effect of the cable reflection is given in A.2.3 of CISPR 16-1-6:2014, the outcome of which may be a lesser distance than 5 m or an uncertainty to be added to the antenna calibration results.

NOTE 2 Use of cables with low transfer impedance can minimize influence on the measured results of the induced cable sheet currents through that impedance.

NOTE 3 When the basic test set-up provisions of 4.4.2 are used for testing vertically polarized antennas, e.g. per 4.7, similar cable layout considerations generally apply; see also 4.7.3.3.

4.4.2.7 The RF signal generator and RF measuring receiver shall not be elevated above the level of the reflecting plane if they are within 20 m from the antennas.

4.4.2.8 The RF signal generator shall have good frequency and output level stability throughout the duration of the site insertion loss measurements; see also 4.4.4.2.3.2.

A warm-up time (normally indicated by the equipment manufacturer, e.g. one hour) of the RF signal generator and RF measuring receiver may be included in the measuring procedure, for a sufficient long-term stability of the equipment.

4.4.2.9 The RF measuring receiver shall have its linearity calibrated over a dynamic range of at least 50 dB; see also 4.4.4.2.1.3. The associated uncertainty of the measuring receiver linearity is denoted as ΔA_r (i.e. used in 4.5.2.2); a reasonable value for the measuring receiver linearity uncertainty is 0,2 dB.

If the linear dynamic range is less than 50 dB then a substitution method may be followed, using a calibrated precision attenuator as described in 4.4.4.3.2.

4.4.3 Test frequencies and receive antenna heights

4.4.3.1 Further to the normative specification of 4.2.2, the site validation measurements described in 4.4.4 shall be carried out at a minimum of the 24 frequencies cited in CISPR 16-1-4 over the range 30 MHz to 1 000 MHz, i.e. listed in Table 3, using the fixed heights of the centre of the receive antenna h_r (m) above the reflecting plane as also listed in Table 3. For the calibration of antennas using the methods of CISPR 16-1-6, site validation measurements shall also be carried out using the swept-frequency measurements described in 4.4.5.

Table 3 – Frequency and fixed receive antenna height data for SIL measurements at 24 frequencies, with $h_t = 2$ m and $d = 10$ m (specified in 4.4.2.3 and 4.4.2.4)

Frequency MHz	h_r m	Frequency MHz	h_r m	Frequency MHz	h_r m
30	4,00	90	4,00	300	1,50
35	4,00	100	4,00	400	1,20
40	4,00	120	4,00	500	2,30
45	4,00	140	2,00	600	2,00
50	4,00	160	2,00	700	1,70
60	4,00	180	2,00	800	1,50
70	4,00	200	2,00	900	1,30
80	4,00	250	1,50	1 000	1,20

4.4.3.2 The frequency of the RF signal generator providing the signal for the transmit antenna shall be adjusted to within Δf (see Table 2), of a test frequency specified in Table 3 or in A.4.

4.4.3.3 If narrow-band noise, such as that originating from broadcast transmitters, impedes accurate measurement at a frequency specified in 4.4.3.1 and A.4, a usable test frequency as close as possible to that specified frequency shall be chosen.

The rationale for a deviation from a specified frequency shall be recorded in the validation report (see 4.8).

4.4.4 SIL measurements

4.4.4.1 General

Subclause 4.4.4 describes the three measurements, designated as Measurement 1, Measurement 2, and Measurement 3, needed to determine the measured SIL, A_{im} (see 4.4.3.1 for acceptance criteria), at the specified frequencies. The SIL being considered is between the feed terminals of the transmit antenna (A and B in Figure 3 and Figure 4) and the terminals of the receive antenna (C and D in Figure 3 and Figure 4).

Where a full set of balun S -parameters is available (as described in 4.3.2 f), they should be incorporated in the computation of the theoretical SIL (see C.2.4); this approach enables lower uncertainties to be obtained. In this case, the measured SIL is derived using a cable connection between the two cable/balun interfaces (schematic shown in Figure 3).

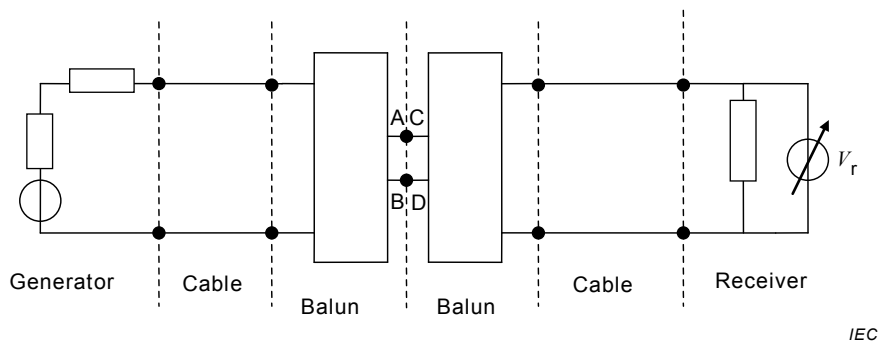


Figure 3 – Determination of $V_{r1}(f)$ or $V_{r2}(f)$

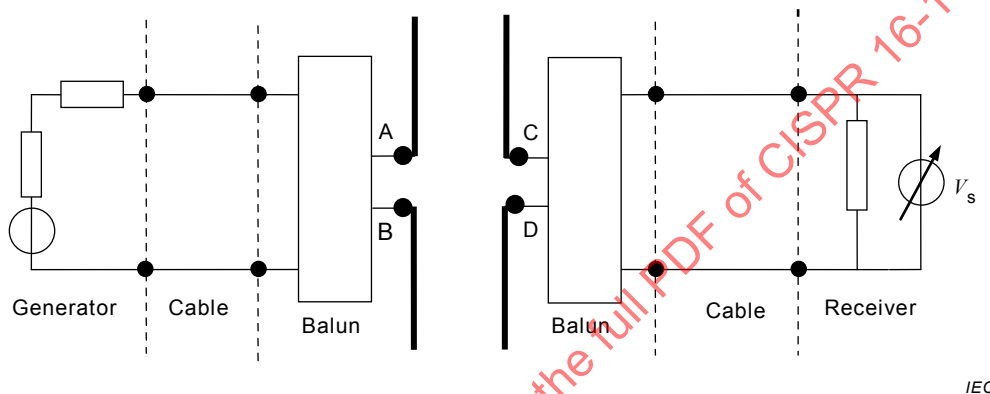


Figure 4 – Determination of $V_s(f)$ with the wire antennas in their specified positions

4.4.4.2 Measurements 1, 2, 3 for determining SIL

4.4.4.2.1 Measurement 1

4.4.4.2.1.1 At a specified frequency f , the reference voltage $V_{r1}(f)$ is determined.

This voltage is used to account for the attenuation of the signal between the RF signal generator output port and the feed terminals of the transmit wire antenna and, similarly, between the feed terminals of the receive wire antenna and the receiver input port.

4.4.4.2.1.2 $V_{r1}(f)$ is determined as follows.

The wire elements of the test antennas are disconnected from their balun, and the two baluns are connected head-to-head with a short connection whose insertion loss shall be accounted for – see Figure 3.

4.4.4.2.1.3 The level of the RF signal generator is set to give a receiver reading at least 60 dB above the noise level of the receiver. The receiver reading is recorded as $V_{r1}(f)$. All readings are in decibels.

The noise level of the receiver may be reduced by reducing the receiver bandwidth. However, if the RF signal generator and RF measuring receiver are not frequency-locked, as in the case of a tracking generator and spectrum analyzer, the receiver bandwidth should be sufficiently wide that a possible drift of the frequency of the RF signal generator signal does not influence the measurement results.

NOTE A signal in Measurement 1 of at least 34 dB above receiver noise yields an acceptable uncertainty; see also 6.2.3 of CISPR 16-1-6:2014. In Table C.1 the SIL at 1 000 MHz is 42,71 dB, so the attenuation including cables and attenuators is likely to be at least 60 dB; if this signal is less than 34 dB above receiver noise, the antenna separation can be reduced to a minimum of 2λ and/or the uncertainty due to noise can be increased.

4.4.4.2.1.4 If the S -parameter method indicated in 4.4.4.1 is followed, the complete test antennas are disconnected, and the two antenna cables are interconnected, when determining $V_{r1}(f)$ and $V_{r2}(f)$ in 4.4.4.2.3.

4.4.4.2.1.5 The amplitude setting of the RF signal generator used in 4.4.4.2.1 at a particular frequency remains unchanged throughout the measurements associated with 4.4.4.2.2 and 4.4.4.2.3.

4.4.4.2.2 Measurement 2

The baluns are disconnected from each other, and the wire elements are connected to their baluns (see Figure 4). The elements of the specified length $L_a(f)$ are selected. The test antennas are brought into position, as specified in 4.4.2 and 4.4.3. All other conditions in the test set-up are the same as in 4.4.4.2.1.

NOTE Fixed length elements of constant diameter are preferred. Telescopic elements have varying diameter and will lead to larger uncertainties in the calculation of A_i [see 4.3.2 b) NOTE 2].

At the specified test frequency f , and with the antennas in their specified position, the receiver reading is recorded as $V_s(f)$. Care should be taken to assure that the emitted field does not exceed levels permitted by local regulatory jurisdictions.

4.4.4.2.3 Measurement 3

4.4.4.2.3.1 For Measurement 3, the reference voltage measurement per 4.4.4.2.1 is repeated at the same specified test frequency; the result is recorded as $V_{r2}(f)$.

4.4.4.2.3.2 If $V_{r1}(f)$ and $V_{r2}(f)$ differ by more than 0,2 dB, the stability of the test set-up shall be improved and the preceding Measurements 1, 2 and 3 shall be repeated.

4.4.4.2.3.3 A cause of instability can also be the temperature dependence of the coaxial cable attenuation, especially under direct sunlight exposure. The minimum time between the measurements of $V_{r1}(f)$ and $V_s(f)$, and of $V_{r2}(f)$, shall be used.

4.4.4.3 Determining SIL results

4.4.4.3.1 From the results of Measurements 1, 2, and 3, the measured SIL, $A_{im}(f)$, is given by the Equation (1).

$$A_{im}(f) = V_{ra}(f) - V_s(f) \quad (\text{dB}) \quad (1)$$

where $V_{ra}(f)$ is the average of $V_{r1}(f)$ and $V_{r2}(f)$.

4.4.4.3.2 Where the dynamic range of the RF measuring receiver does not comply with 4.4.2.9, the following substitution method may be used, provided that the full set of balun S -parameters is available, and the balun properties are incorporated in the calculation of the theoretical SIL.

- a) Determine and record the receiver reading $V_s(f)$, as described in 4.4.4.2.2 (Measurement 2).
- b) Replace the test antennas by a calibrated precision attenuator, and connect both antenna cables to this attenuator. Adjust the insertion loss caused by the attenuator to a level $A_{im1}(f)$ such that the same receiver reading $V_s(f)$ as determined under step a) is found. Record $A_{im1}(f)$ and its associated measurement uncertainty $\Delta A_{im1}(f)$.
- c) To demonstrate the stability of the test set-up (as mentioned in 4.4.2.8), repeat step b) to determine $A_{im2}(f)$ after a period of time approximating the total time between the reading of $V_s(f)$ in step a) and $A_{im1}(f)$ in step b). If $A_{im2}(f)$ differs by more than 0,2 dB from $A_{im1}(f)$, the stability of the test set-up shall be improved, and steps a), b) and c) repeated.
- d) If the test set-up is sufficiently stable, the measured site insertion loss $A_{im}(f)$ is given by

$$A_{im}(f) = A_{im,a}(f) \quad (\text{dB}) \quad (2)$$

where $A_{im,a}(f)$ is the average value of $A_{im1}(f)$ and $A_{im2}(f)$.

4.4.4.3.3 If no provisions have been taken to avoid droop of the wire elements of both test antennas, the site insertion loss A_{im} shall be corrected (see 4.4.2.2).

4.4.5 Swept frequency SIL measurements

4.4.5.1 General

Validation of a calibration site on which antennas will be calibrated at smaller frequency intervals than listed in Table 3 (e.g. swept frequency) shall be performed by swept-frequency measurements using a pair of calculable dipole antennas. Table A.1 gives an example of four dipoles used to cover 30 MHz to 1 000 MHz. The maximum frequency intervals shall be as shown in Table 4. Alternatively the validation may be performed by the RSM of CISPR 16-1-4, for which the reference site shall have a $T_{\text{SIL}}(f) < 0,7$ dB for use in Equation (5) (see 4.5.3), when measured according to the procedure used with Table 3. Swept-frequency validations can better reveal reflections from structures such as antenna supports and cables, and any nearby scatterers, such as buildings.

Table 4 – RSM frequency steps

Frequency range MHz	Maximum step size MHz
30 to 100	1
100 to 500	5
500 to 1000	10

For swept-frequency SIL measurements, the SIL between two calculable dipole antennas is measured using a separation distance of 10 m. The antennas are horizontally polarized and placed at heights given in Table 5. The terms Antenna 1 and Antenna 2 in the column headings signify a pair of near-identical antenna elements suitable for the frequency range given in each row of Table 5. As the frequency is swept, the relative phase of the direct signal between the antennas and the ground reflected signal changes, leading to signal nulls (defined in 3.1.3.2). The accuracy of a site validation result is reduced in a null, but there is sufficient accuracy down to a level of 10 dB below the received signal maximum that is closest in frequency to the frequency of the null. An example plot of normalized SIL (NSIL) is shown in Figure 5 [based on the equation for the field strength parameter $e_0(i,j|H)$ in 7.4.1.2.1 of CISPR 16-1-6:2014], with both horizontally polarized Hertzian dipoles at a height of 2 m.

NOTE Normalized site insertion loss (NSIL) is SIL minus the AFs of the two antennas.

The frequency ranges in Table 5 are based on the set of four dipoles listed in Table A.1. For other dipole designs with different subdivisions of 30 MHz to 1 000 MHz, other heights may be optimal, i.e. with signal levels at the ends of the band close to the level of the maximum. For this reason, in Table 5 the 600 MHz to 1 000 MHz range is shown also subdivided into two ranges, rows 5, 6, as an alternative to the single range of row 4. Using a lowest height of 1 m is avoided in an attempt to move further away from the base of the mast where there is a lot more material; it is preferable to not have a motor at the base of the mast. The NSIL for rows 1, 2, 3, 5, and 6 of Table 5 is plotted in Figure 6, demonstrating avoidance of nulls.

Table 5 (informative) – Antenna heights for SIL measurements

Row no.	Frequency range MHz	Antenna 1 height m	Antenna 2 height m
1	30 to 100	4	4
2	100 to 300	2	2,35
3	300 to 600	1,5	1,4
4	600 to 1000	1,5	1,97
5	600 to 750*	1,5	1,1
6	750 to 1000*	1,5	1,8

*Rows 5 and 6 are for alternative to the 600 MHz to 1000 MHz of row 4.

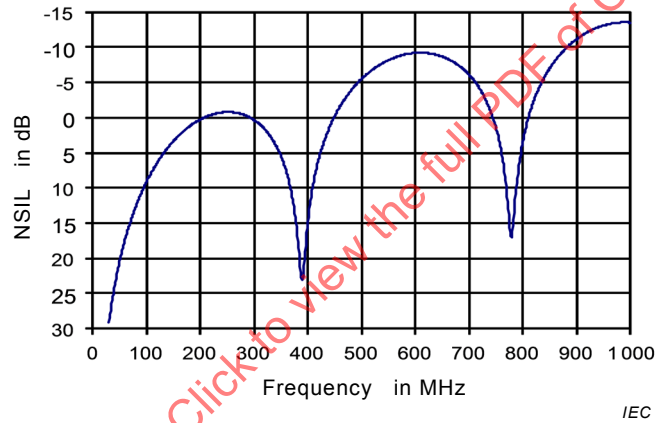


Figure 5 – Example NSIL: horizontal polarization, antenna height 2 m, separation 10 m

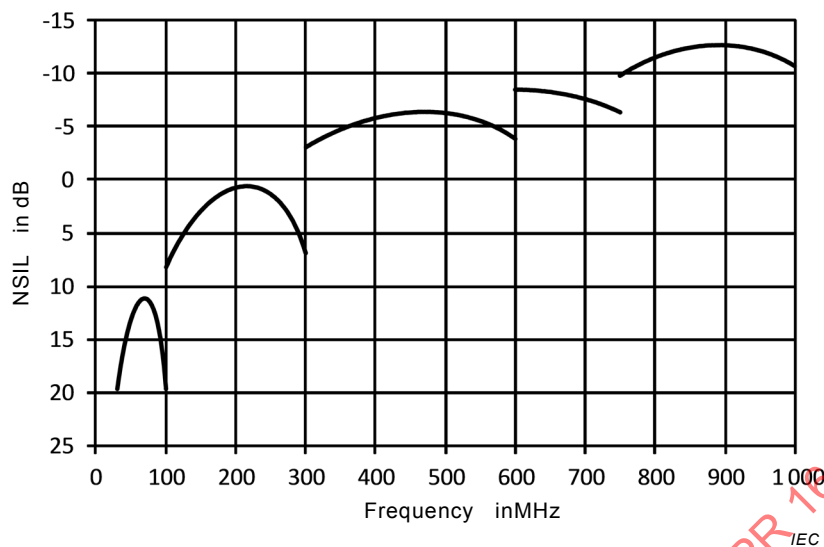


Figure 6 – NSIL of the four pairs of calculable dipoles at 10 m separation and using the alternative heights for the 600 MHz to 1000 MHz pair according to Table 5

The main purpose of the swept-frequency SIL measurements is to prove the site performance on its own, rather than including the masts, which do not have any reflectivity specification; masts made of thin walled dielectric tubing and minimal metal parts should be used. In contrast, the validation results of a COMTS in CISPR 16-1-4 include the influence of antenna supports and cables, and in the layout required for radiated disturbance testing.

4.4.5.2 Procedure

Two different measurements are made of the received voltage, V_R .

- The first reading of V_R (i.e. V_{DIRECT}) is taken with the two coaxial cables disconnected from the two antennas, and connected to each other via an adaptor.
- The second reading of V_R (i.e. V_{SITE}) is taken with the coaxial cables reconnected to their respective antennas. For both of these measurements, the signal source voltage is kept constant. Preferably, a VNA should be used.
- The SIL is given by Equation (3). All terms are in dB.

$$A_{im} = V_{\text{DIRECT}} - V_{\text{SITE}} \quad (3)$$

- The measured SIL, A_{im} , is compared to the theoretical SIL, A_{ic} , calculated using C.2.4.1 for the antenna heights, separation and polarization at each frequency. The CALTS complies with the site insertion loss validation criterion if, at all frequencies used for antenna calibration, the acceptance criterion is $T_{\text{SIL}}(f) = 1,0$ dB, where $T_{\text{SIL}}(f)$ is subject to measurement uncertainty per Equation (5) (see 4.5.3).
- At frequencies where the difference between measured and theoretical SIL exceeds $\pm 1,0$ dB (likely to stand out as resonant features in a frequency plot of SIL), single frequencies shall be selected for further investigation.
 - At each selected frequency, the SIL and the height for the maximum signal shall be recorded. The SIL shall be calculated using the same antenna geometry.
 - The reason for the difference of greater than $\pm 1,0$ dB shall be investigated. An initial solution would be to increase the distance between the antenna and the mast and/or feed cable. Potential deviations caused by the antenna supports and feed cable shall be investigated exhaustively (i.e. see 4.4.6), before considering potential problems with the calibration site.

A more sensitive measurement of site performance is to note the frequency at which a null occurs and apply the tolerance criteria of A.4; see also the associated reference in 4.2.2 to the optional tests of A.4.

4.4.6 Identifying and reducing reflections from antenna supports

As mentioned in e.g. NOTE 2 of 4.1, reflections from antenna supports can be the cause of a site not meeting the acceptance criteria, rather than deficiencies of the site itself (see also A.2.3 of CISPR 16-1-6:2014). A single strong source of reflection can be identified from a clear ripple in swept-frequency SIL measurement results. The distance from the antenna to a reflecting surface behind the antenna is given by $R = 300/(2\Delta f)$ in m, where Δf is the frequency interval in MHz between two adjacent peaks of the ripple; this is an approximation dependent on the phase change at the reflecting surface.

The magnitude of the reflection can be reinforced in a set-up where similar antennas are mounted at the same distance from similar masts. An investigation may conclude that the mast is too reflective, even when the antenna is moved 2 m or so in front of the vertical section of the mast. Reflections are usually not obvious below 600 MHz, but the nearer to 1 000 MHz, the greater the area of the mast reflecting surface becomes as a proportion of wavelength, which increases the magnitude of the reflection.

One solution is to use RF-transparent polystyrene foam blocks to support the antennas. The validation report shall state what measures needed to be taken to isolate the site reflections, and what uncertainty can be caused by the masts. Whereas the supplier of the site and the customer (e.g. a calibration laboratory) need to know how compliant the site is in isolation, the customer (e.g. a calibration laboratory) also needs to know that the site with including the antenna supports is compliant, i.e. preferably with masts of a practical design.

The issue of mast reflections is less likely to be a problem with directive antennas, such as LPDA and horn antennas. Reflections are mostly seen when using vertically polarized dipole-like antennas (i.e. with uniform H-plane patterns).

4.5 Antenna calibration test site acceptance criteria

4.5.1 General

A CALTS is deemed to be satisfactory when, at all frequencies at which antenna calibrations that require a CALTS are subsequently to be performed, the measured SIL results (see 4.4.3.1) are within a certain margin of the calculated theoretical values. The margin is given in 4.5.3. Apart from the uncertainties in the various measurement data, this margin also takes into account the tolerances allowed in the measurement set-up.

As explained in 4.5.2, the uncertainty margin consists of a portion that shall be calculated using the theoretical model, and a portion that is directly coupled to the uncertainty in the voltage measurements from which the measured site insertion loss is determined.

4.5.2 Measurement uncertainties

4.5.2.1 The measurement uncertainty ΔA_{im} in the measured SIL, A_{im} , as defined in Equation (1) in 4.4.4.3.1 is given by

$$\Delta A_{im} = \sqrt{(\Delta A_r)^2 + (\Delta A_t)^2} \quad (\text{dB}) \quad (4)$$

where

ΔA_r is given by ΔA_r , in dB, in 4.4.2.9, or by $\Delta A_{im1}(f)$, in dB, in 4.4.4.3.2, whichever subclause is applicable;

ΔA_t in dB, accounts for the sensitivity of the site insertion loss to the parameter

tolerances (maximum values as given in Table 3).

The $k = 2$ (95 % level of confidence) values of ΔA_r and ΔA_t shall be used in Equation (4).

NOTE 1 ΔA_t ($k = 2$) can be calculated using the model given in Annex C.

4.5.2.2 If the tolerances of the parameters comply with those given in Table 2 (see 4.3.2), ΔA_t ($k = 2$) = 0,2 dB may be used for the entire frequency range from 30 MHz to 1 000 MHz. In that case, ΔA_t calculations need not be performed, nor the results of the calculations reported in the CALTS validation report. Table 2 gives the maximum tolerances; the total tolerance of 0,2 dB is an example. The user-estimated total, which may be less, shall be used for application to Figure 7 (see 4.5.3).

NOTE 2 A rationale for ΔA_t ($k = 2$) = 0,2 dB is given in C.1.4.3.

4.5.3 Acceptance criteria

In this subclause, the parameter values to be used in the calculations are the actual values realized in a measurement. The actual parameter values are assumed to be determined with a sufficiently small measurement uncertainty so that the conclusion that a parameter value is within the maximum tolerance range as given in Table 2 is justifiable.

EXAMPLE 1 If the specified distance between the antenna centres $d = 10,00$ m (see 4.4.2.3) and during the actual SIL measurements that distance equals $d_a = 10,01$ m, the latter value is used in the calculations. However ($d - d_a$) is always to be smaller than 0,04 m (see Table 2).

The CALTS complies with the site insertion loss validation criterion if, at all frequencies used for antenna calibrations, the acceptance criterion is $T_{\text{SIL}}(f) = 1,0$ dB, where $T_{\text{SIL}}(f)$ is subject to measurement uncertainty in Equation (5) (referring to Figure 7).

$$\left| A_{ic}(f) - A_{im}(f) \right| < T_{\text{SIL}}(f) - \Delta A_{im}(f) \quad (5)$$

where,

$A_{ic}(f)$ is the theoretical SIL, in dB, at the specified frequency, calculated according to C.2.4 using the actual geometrical parameter values L_a , d , h_t , and h_r ; example $A_{ic}(f)$ values are given in Table C.1;

$A_{im}(f)$ is the measured SIL, in dB, following from Equation (1) (see 4.4.4.3.1) or Equation (2) (see 4.4.4.3.2 d); see also 4.4.4.3.3 about droop at tips of wire antennas);

$\Delta A_{im}(f)$ is the SIL measurement uncertainty ($k = 2$), in dB, as derived in 4.5.2.2;

$T_{\text{SIL}}(f)$ is the allowed tolerance in SIL, in dB.

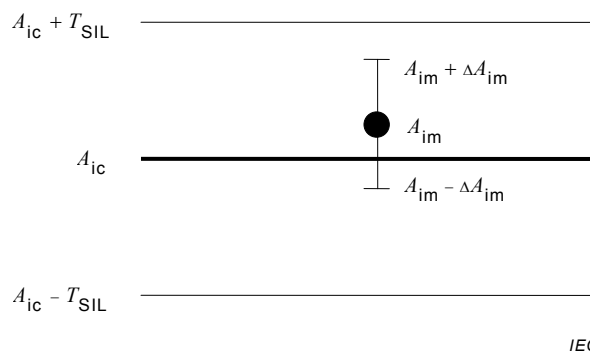


Figure 7 – Relation between the quantities used in the SIL acceptance criterion

The emphasis on need for a ground plane is in the frequency range 30 MHz to 300 MHz. Reflections from antenna supports and cables are significantly less in this range compared to frequencies above 300 MHz. Also it is easier to achieve the antenna performance described in the NOTE in the range 30 MHz to 300 MHz. In this range it is desirable to achieve $T_{\text{SIL}}(f) < 0,7$ dB, to more easily achieve an uncertainty of F_a of less than 1 dB. The reason for a criterion as large as 1,0 dB is to allow for larger reflections from antenna supports and cables up to 1 000 MHz. Because the main purpose of site validation is to test the performance of the ground plane and its environment, a lower criterion should be aimed for where the influence of antenna supports and cables is less.

NOTE Calculable broadband dipole antennas are capable of validating a CALTS to an agreement between measured and theoretical SIL of $\leq 0,3$ dB [23]. This will enable lower uncertainties for F_a .

EXAMPLE 2 If $\Delta A_t (k = 2) = 0,2$ dB and $\Delta A_r (k = 2) = 0,2$ dB, applying Equation (4), $\Delta A_{i,m} (k = 2) = 0,3$ dB. The maximum acceptable difference between calculated and measured site insertion loss can be reduced by using a receiver with a lower value of $\Delta A_r (k = 2)$, by decreasing the tolerances of the various parameters and by considering the actual value of $\Delta A_t (k = 2)$.

EXAMPLE 3 At 30 MHz, a 4,8 m long dipole droops by 16 cm at the tips. $A_{i,m}$ is corrected by adding 0,27 dB, 0,13 dB and 0,08 dB when the dipole is at heights of 1 m, 2 m and 4 m respectively, to properly compare $A_{i,m}$ with $A_{i,c}$. These are corrections for the dipole dimensions in Table C.1 and modelled using NEC (see C.2).

4.6 Calibration site with a metal ground plane for biconical antennas and tuned dipole antennas over the frequency range 30 MHz to 300 MHz

This subclause provides a procedure for validating a calibration site for the calibration of biconical and dipole antennas over the frequency range 30 MHz to 300 MHz by averaging height-dependent antenna factor, $F_a(h,p)$, over a range of heights by the TAM or the SAM, as described in B.4 of CISPR 16-1-6:2014. In an antenna calibration, the two horizontally polarized antennas are separated by 10 m; one antenna is raised as high as 6 m above a flat metal ground plane, and the other is set at 1 m or 2 m height as described in Table B.1 and Table B.2 in B.4 of CISPR 16-1-6:2014. See Figures A.2 and A.3 of CISPR 16-1-6:2014 for an example of F_a obtained by this method.

Compliance of the calibration site shall be determined by the SIL measurements performed in accordance with the following requirements.

- a) SIL measurements shall be performed over the frequency range 30 MHz to 200 MHz using the set-ups in Table 6 and at 250 MHz and 300 MHz in accordance with 4.4.4. The theoretical values of the SIL, $A_{i,c}$, in Table 6 are examples calculated with lossless baluns in the same way as in Table C.1. The SIL results shall comply with the acceptance criterion specified in 4.5.3. Preferably swept-frequency measurements should be made, following 4.4.5.
- b) Antenna-height scan measurements (see A.4.2) and frequency scan measurements (see A.4.3) are optional; see 4.2.2 NOTE 1.

This validation method includes and extends the method of 4.4.4. Guidance on an uncertainty budget can be obtained from Table B.3 of CISPR 16-1-6:2014.

Table 6 – Antenna set-up for the SIL measurement of the calibration site using horizontally polarized resonant dipole antennas (see also 4.4.4 for SIL at 250 MHz and 300 MHz)

Frequency f , MHz	Separation distance d , m	Transmit antenna height h_t , m	Receive antenna height h_r , m	Theoretical SIL $A_{i,c}$, dB
30	10,0	2,0	6,0	17,40
35	10,0	2,0	6,0	18,44
40	10,0	2,0	6,0	19,78
45	10,0	2,0	6,0	20,37
50	10,0	2,0	6,0	20,11
60	10,0	2,0	6,0	20,54
70	10,0	2,0	6,0	21,39
80	10,0	2,0	6,0	21,12
90	10,0	2,0	6,0	22,74
100	10,0	2,0	6,0	24,62
120	10,0	1,0	5,0	26,83
140	10,0	1,0	5,0	27,13
160	10,0	1,0	5,0	27,03
180	10,0	1,0	5,0	27,81
200	10,0	1,0	5,0	29,35

4.7 Validation of a REFTS

4.7.1 General

Guidance on the construction of a REFTS is given in Annex A. A REFTS shall be validated with SIL measurements for both horizontal and vertical polarizations. The test antenna for SIL measurements is specified in 4.3. In horizontal polarization, SIL measurements shall meet the requirements of 4.7.2. In vertical polarization SIL measurements shall meet the requirements of 4.7.3. Alternatively, a REFTS may be validated by the RSM of CISPR 16-1-4. Requirements for a site validation report are given in 4.8.

4.7.2 Validation for horizontal polarization

4.7.2.1 General

Follow the procedures of 4.4 and 4.5 for measurements and analysis of results.

4.7.2.2 Acceptance criterion for horizontal polarization

The theoretical site insertion loss, $A_{i,c}(f)$, is calculated according to C.2.4. Example $A_{i,c}(f)$ values are given in Table C.1. The acceptance criterion is given by Equation (5), over the frequency range of 30 MHz to 1 000 MHz, with $T_{SIL}(f) = 1,0$ dB. The measurement uncertainty $\Delta A_{i,m}$ shall be evaluated for the use of Equation (5) according to 4.5.2.

4.7.3 Validation for vertical polarization

4.7.3.1 General

The following precautions are applicable to vertically polarized antennas, in addition to the requirements for horizontally polarized antennas.

4.7.3.2 Antenna mounting and antenna mast requirements

The antenna separation shall be 10 m. The height of the centre of the transmit antenna shall be 2 m, except at 30 MHz, 35 MHz and 40 MHz, where the height shall be 2,75 m. The frequency and the receive antenna heights shall be chosen according to Table 7.

Table 7 – Antenna heights

<i>f</i> MHz	<i>h_t</i> m	<i>h_r</i> m	<i>f</i> MHz	<i>h_t</i> m	<i>h_r</i> m	<i>f</i> MHz	<i>h_t</i> m	<i>h_r</i> m
30	2,75	2,75	90	2,0	1,15	300	2,0	2,6
35	2,75	2,4	100	2,0	1,0	400	2,0	1,8
40	2,75	2,4	120	2,0	1,0	500	2,0	1,4
45	2,0	1,9	140	2,0	1,0	600	2,0	1,4
50	2,0	1,9	160	2,0	1,0	700	2,0	1,0
60	2,0	1,5	180	2,0	1,0	800	2,0	1,0
70	2,0	1,5	200	2,0	1,0	900	2,0	1,6
80	2,0	1,15	250	2,0	3,1	1000	2,0	1,6

h_t and *h_r* are transmit and receive antenna heights, respectively.

The bottom tip of the antenna shall be at least 0,25 m above the ground plane. The antenna mast should be made of low-density dielectric material (wood or dielectric with $\epsilon_r \leq 2,5$, low loss, and cross section as small as possible, yet retaining mechanical strength); the mast shall be demonstrated to have minimal effects on the antenna response. Effects of the mast and horizontal boom on the antenna factor shall be evaluated by measuring the transmission loss between two antennas with the mast position varied relative to the antenna, varying the distance between the antenna and the vertical part of the mast.

Effort shall be made to minimize the influence of the antenna mast, e.g. by increasing the distance between the antenna and the vertical part of the mast by mounting the antenna on a horizontal boom.

NOTE For guidance on minimizing reflections from masts, see A.2.3 of CISPR 16-1-6:2014.

4.7.3.3 Cable layout

Cables can act as parasitic reflectors when aligned with the antenna elements, which can change the SIL on the order of ± 1 dB if a cable drops as close as 0,5 m to the rear element of the antenna. Effects of the cables can be evaluated by varying this horizontal distance until the effects on SIL are negligible; see 4.4.2.6. At the distance finally chosen for the measurement, any influence caused by the cables will then be masked by uncertainties of the REFTS. Clamp-on ferrites placed on the cable can reduce this effect, especially where the antenna has a poor balun. Cables should extend horizontally behind the antenna (orthogonal to the antenna elements) for a minimum of 2 m for a REFTS, before dropping to the ground.

4.7.3.4 Ground plane size

Depending on the ratio of the separation distance between the antennas and the distance to the edges of an OATS ground plane, a non-negligible edge diffraction effect may occur. The presence of diffraction effects can be observed as a regular ripple superimposed on the data from a swept-frequency SIL measurement. The ripple appears pronounced in regions of maxima of the SIL data (i.e. signal null). If the ground plane is large enough, the ripple can be reduced by placing the antennas such that the measurement path is on the short axis, rather than the long axis, of the test site. Edge diffraction may also be reduced by enlarging the ground plane using additional wire mesh connected to the perimeter of the ground plane, and into the earth/ground, but the earth/soil shall be very damp for this to be effective.

4.7.3.5 Acceptance criterion for vertical polarization

The theoretical SIL, $A_{ic}(f)$, is calculated according to C.2.4. Example $A_{ic}(f)$ values are given in Table C.5. The acceptance criterion is given by Equation (5) over the frequency range of 30 MHz to 1000 MHz with $T_{SIL}(f) = 1,5$ dB. The measurement uncertainty ΔA_{im} shall be evaluated for Equation (5) according to 4.5.2.

4.8 Validation report for CALTS and REFTS

4.8.1 General

Throughout 4.8 the term CALTS also applies to REFTS. The provisions of 4.8 are not applicable for 4.9 and 4.10.

This validation report is a means to trace and guarantee the compliance with the CALTS requirements set in this standard.

4.8.2 Validation report requirements

The CALTS validation report shall address a number of items, each of them dealing with a validation aspect of the CALTS. Each item and the justification for inclusion in the validation report are described in this subclause. A summarizing checklist for the items to be addressed is provided in Annex E.

a) General information

General information such as the CALTS location, responsible owner, etc. shall be given.

If the site validation is carried out by other parties/organizations, then these parties/organizations shall be indicated.

The CALTS configuration shall be described, as well as its ancillary components using drawings, photographs, part numbers, etc.

In addition, the date(s) of the validation actions and the issue date of the validation report shall be given. The names of the responsible persons for the editing and authorization of the validation report shall be visible on a cover page, including their signatures.

b) Assessment of the validity period and limiting conditions

It is stated that the validity shall be demonstrated prior to using a site for the calibration of the antennas (see 4.2.2).

Therefore, it is important to indicate the period of anticipated validity of the CALTS under consideration. As the CALTS may be either an indoor or outdoor facility, the anticipated validity of the CALTS may differ and may be affected by different factors such as environmental changes, ageing of cables or ageing of the absorber. It is the responsibility of the facility owner to assess and declare the period of validity of the CALTS validation.

In relation to this validity assessment, items or aspects shall be identified which may be subject to change during the course of use of the facility: for example for outdoor ranges the environment, trees, snow, ground humidity, etc. In general, the performance stability of cabling, equipment, antennas and antenna masts is of importance. Also environmental conditions, ageing of instruments or absorber and validity of calibration of equipment may determine the period of validity of the CALTS.

Quick measurement aids or visual inspection procedures may be incorporated to assess continuously the validity/similarity of the CALTS performance.

Specific environmental or configuration conditions or limitations shall be stated explicitly.

c) Test antenna description and validation

This item of the validation report deals with the demonstration of compliance with the antenna requirements.

The test antennas (elements and baluns) shall comply with the normative specifications given in 4.3.2 and the applicable values given in Table 2.

Each of the normative specification items shall be checked for compliance either by inspection or measurement. The compliance verification results shall be available in an annex or in a separate document (photographs, measurement results, calibration results, supplier statements, etc.).

d) The test set-up

This item of the validation report deals with the evidence on the test set-up. The test set-up shall comply with the normative specifications given in 4.4.2 and the applicable values given in Table 2.

Each of the normative specifications shall be checked for compliance either by inspection or measurement. The compliance verification results shall be available in an annex or in a separate document.

e) Validation measurements

The results of the SIL validation measurements carried out in accordance with the procedure given in 4.4.4, and at the test frequencies and antenna heights given in Table 3, shall be described in this section of the validation report. In addition, the results of either the antenna height scan measurements (see A.4.2) or the frequency scan measurements (see A.4.3) shall be reported in this item, if these optional measurements are carried out. Also the results of the validation of a REFTS in vertical polarization given in 4.7.3 shall be described.

f) Calculation of site antenna attenuation and tolerances

This item in the validation report shall indicate whether the antenna length is calculated using the procedures from Annex C or using different numerical procedures. The results of the SIL calculations and the results of the total measurement uncertainty calculations shall be presented in this item using default values, or calculated values in case of deviations with the tolerances in Table 2.

g) Acceptance criteria calculations

In this item of the validation report, the results of the calculated and measured values of the SIL, and the corresponding allowed tolerances and uncertainties, will be used in Equation (5) to determine acceptance as a function of frequency. Similarly, acceptance with either the height criterion [Equation (A.1)] or the frequency-scan criterion [Equation (A.3)] will be determined, if the associated optional measurements are carried out.

h) Final statement of compliance

Provided the measured SIL complies with Equation (5) at all frequencies, and either the height or the frequency scan criteria conditions are met, then the CALTS under consideration may be declared compliant with the CALTS requirements, taking into account the period of validity and the stated limiting conditions and configurations given in item b). If the height-scan or the frequency-scan criteria conditions of A.4 are also met, the results can be deemed as giving further confidence to support the SIL results.

4.9 Site validation for the calibration of biconical and dipole antennas, and the biconical part of hybrid antennas in vertical polarization

This subclause provides a procedure for validating a CALTS for the calibration of biconical antennas, and the biconical part of hybrid antennas, over the frequency range 30 MHz to 300 MHz, in accordance with 9.3 of CISPR 16-1-6:2014. Determination of the transition frequency for hybrid antennas is described in 6.1.2 of CISPR 16-1-6:2014; see also 5.3.2 of this standard.

For a description of the antenna layout, in which the AUC is illuminated by a field from a monocone antenna, see 9.3.2 of CISPR 16-1-6:2014. Guidance on the construction of a monocone antenna is given in A.2.4 of CISPR 16-1-6:2014. Having the monocone more than 10 m away ensures that the field will be very uniform across the horizontal aperture of the AUC (which has a diameter of approximately 0,5 m); therefore the variation across the horizontal aperture is not measured.

To measure the field variation across the vertical aperture, a small biconical antenna of 0,44 m maximum tip-to-tip length is scanned in height from 1 m to 2,6 m, in 20 cm increments. The antenna shall have an unbalance of less than $\pm 0,5$ dB, according to the balun test of 4.4.2 of CISPR 16-1-4:2010/AMD1:2012. The antenna is placed where the AUC would be, as described in 9.3.2 of CISPR 16-1-6:2014, paying special attention to the minimum distance between the AUC and the vertical part of the mast, and to the minimum distance of 5 m to the vertical part of the antenna cable. Using a VNA to sweep from 30 MHz to 300 MHz, S_{21} is recorded at each height. All of the S_{21} data sets are normalized to the reading at the middle height of 1,8 m. At any given frequency, the difference between the normalized results shall be less than $\pm 1,5$ dB. In general there is a field taper, with S_{21} decreasing with increase in the height of the small biconical antenna. The uncertainty considerations are similar to those of the method of 6.1, because both methods are for measurement of field variation over a height scan.

If the difference in S_{21} exceeds 1,5 dB, possible reflections from the antenna mast shall be investigated. The distance between the small biconical and the mast shall be increased, or the mast replaced by a less reflective one. The reflection from the antenna cable can be investigated by determining whether increasing the 5 m distance to the antenna is beneficial. If neither of these actions lead to compliance, obstacles such as buildings and trees are too near to the antennas, and/or the ground plane is too small. The final set-up that achieves the $\pm 1,5$ dB criterion shall be used for the calibration of the AUC.

Figure F.1 gives an example of field taper across the vertical aperture that is within the specified tolerance. Figure F.2 gives an example of the closeness of the AF measured by this method to that measured in a distinctly different way, i.e. using horizontal polarization and averaging the AF measured at several heights according to B.4.2 of CISPR 16-1-6:2014.

A site validation according to 4.7.3 over the frequency range 30 MHz to 300 MHz should also be performed, but using an acceptance criterion of 1,2 dB. Whereas the preceding method is based on differences, 4.7.3 is an absolute method and will give confidence that the site is of sufficient quality.

4.10 Validation of a CALTS using vertical polarization from 5 MHz to 30 MHz for the calibration of monopole antennas

4.10.1 General

Monopole antennas are calibrated by the plane wave method over the frequency range 5 MHz to 30 MHz, as described in G.1 in CISPR 16-1-6:2014. The plane wave method is useful for the validation of dummy antennas used for the ECSM in 5.1 of CISPR 16-1-6:2014. A CALTS for monopole calibration may differ from the CALTS for dipoles described in Clause 4. The validity of the site is determined by meeting the criterion for validation, which is the agreement between the measured and theoretical calculation of SIL between two monopoles.

Two monopoles are set up, spaced 15 m apart centrally along the long axis of the ground plane. Suitable monopole dimensions are 1 m length and 5 mm radius. The monopole is fitted with a type N male adaptor at one end. See C.2.5.2.1 for the adjustment of the monopole length to account for the adaptor. The monopoles are connected to a type N female bulkhead connector in the ground plane, whose other end under the ground plane is connected to the signal source or receiver. The SIL is measured between the antennas over the frequency range 5 MHz to 30 MHz in 1 MHz steps. The SIL is calculated by the method of C.2.4.2.

Differences between the calculated SIL and the measured SIL greater than 0,5 dB indicate unwanted reflections from objects around the site, such as buildings, fences or trees, or a ground plane that is too small. This difference shall not exceed 1 dB, which would signify that the error caused by the site to the measured AF would not exceed 0,5 dB. If the site error can be reduced, the uncertainty in AF caused by the site can be reduced correspondingly.

NOTE 1 In CISPR 16-1-6 the frequency range for monopole calibration is 9 kHz to 30 MHz. Below approximately 5 MHz the high impedance of these passive monopoles restricts the available signal so this validation is performed only from 5 MHz to 30 MHz, which is the frequency range for the plane wave method in G.1 of CISPR 16-1-6:2014.

NOTE 2 For the calibration of monopole antennas by the method in G.1 of CISPR 16-1-6:2014, a monopole STA is specified; its AF can be calculated by the method of C.2.5.2.1.

4.10.2 Uncertainty evaluation

An example uncertainty budget is given in Table 8 for the SIL measured between two identical monopole antennas. Away from the lowest frequencies, increased padding attenuation may be used, therefore reducing the mismatch value. To estimate uncertainty of the differences between the calculated SIL and the measured SIL, assume an uncertainty of 0,2 dB for the SIL calculated by NEC.

Table 8 – Example measurement uncertainty budget for SIL between two monopole antennas

Source of uncertainty or quantity X_i	Value dB	Probability distribution	Divisor	Sensitivity	u_i dB	Notes
VNA linearity	0,15	Rectangular	$\sqrt{3}$	1	0,087	–
Connector repeatability	0,05	Normal	1	1	0,050	–
Mismatch	0,20	U-shaped	$\sqrt{2}$	1	0,141	–
Antenna separation, 2 cm error at 15 m	0,01	Rectangular	$\sqrt{3}$	1	0,005	–
NEC simulation	0,20	Rectangular	$\sqrt{3}$	1	0,120	
Combined standard uncertainty					0,211	
Expanded uncertainty ($k = 2$)					0,42	

5 Validation methods for a FAR from 30 MHz to 18 GHz

5.1 General

This clause provides several procedures for validating a fully anechoic room (FAR).

- a) The first procedure in 5.2 applies to antenna calibrations above 1 GHz and up to 18 GHz, as described in 9.5 of CISPR 16-1-6:2014; this procedure describes how to determine a quiet-zone and the acceptance criterion [4], [5].
- b) The second procedure is in 5.3.2, and it applies to LPDA antennas from 30 MHz to 1 GHz.
- c) Subclause 5.3.3 provides three additional alternative methods for antenna calibration FAR site validation.
 - 1) FAR site validation for use with SAM for selected antennas in 30 MHz to 1 GHz;
 - 2) The S_{VSWR} procedure, for subsequent calibration of LPDA antennas from 1 GHz to 18 GHz;
 - 3) FAR site validation using time-domain measurements above 500 MHz.

A FAR is used for antenna calibration above 1 GHz, in which the radiated electromagnetic waves propagate as in free space and ideally only the direct ray from the transmit antenna reaches the receive antenna. All indirect and reflected waves shall be minimized with the use of absorbing material on all walls, the ceiling and the floor (see the NOTE). The EM shielding of the FAR shall ensure that any outside EM radiation entering the room, which can have an effect on the calibration signal at the receive antenna, shall be at a level at least 30 dB below the level of the calibration signal (see 6.2.4 of CISPR 16-1-6:2014).

NOTE A guideline for meeting the acceptance criterion is for the absorbing material to have a reflectivity at normal incidence of better than -40 dB at 1 GHz and above. For directive antennas, the reflectivity specification can be relaxed based on the antenna directivity, apart from the end walls to which the antennas are pointing.

Antennas used for site validation above 1 GHz shall be linearly polarized and directional. A pair of horns may be used for measurements from 2,8 m to 3,2 m, but from 0,8 m to 1,2 m a horn and LPDA antenna pair shall be used to avoid large standing waves between the horns. Typically DRH antennas are used because they cover the frequency range 1 GHz to 18 GHz.

5.2 Validation procedure from 1 GHz to 18 GHz

5.2.1 Power transfer between two antennas

The aim is to create a free-space environment inside an anechoic chamber for the purpose of calibrating antennas. When the transmit antenna radiates, the signals at every point along the axis between the two antennas are a combination of the direct signal from the transmit antenna and reflected signals from the chamber surfaces and other reflecting objects, including the receive antenna. The deviation in the level of these signals from those of the antennas in free space depends on many factors, such as frequency, chamber size, quality and coverage of absorbers, antenna type, and reflections from antenna supports. This deviation in level contributes directly to the overall measurement uncertainty of antenna calibrations in a FAR.

A quiet zone should be determined for a particular antenna pair that is used in antenna calibration, with the aim of achieving a near perfect free-space environment. The quiet zone is a part of the chamber (typically around the centre) in which specifications with respect to field uniformity are met, and in which the antenna pairs are to be placed when the AUC is calibrated.

The power accepted by the receive antenna is designated as P_r , and the power delivered to the transmit antenna is P_t . Because the change in antenna gain is small over the range of separation distances used, it may be assumed that the field strength varies inversely proportionally to the distance, d , from the antenna. Therefore, when only direct signals radiated by a stable transmitter arrive at the receive antenna, the value of $P_r d^2$ is assumed to be a constant along the antenna axis for a particular frequency in an ideal reflection-free chamber. Any residual variations in $P_r d^2$ with frequency are assumed to be caused by undesirable reflections in the chamber. These variations appear as a ripple in a plot of amplitude versus distance for a given frequency, and can be used to estimate the imperfection of the chamber. The measurements may be made using a VNA, for which the transmission loss ratio S_{21} in dB is equivalent to P_r/P_t in dB. A plot of $[S_{21} + 20\lg(d)^2]$ against the separation distance, d , will reveal the chamber reflections as a ripple, the peak-to-peak magnitude of which is compared to the acceptance criterion given in 5.2.4. To obtain a sufficient number of peaks in the ripple, the antenna shall be moved a minimum distance of 1λ either side of the separation distance that is used for antenna calibration, in steps of no greater than $\lambda/8$.

NOTE The analysis of the results is more rigorous and considerably simplified by using fine distance increments. Fine increments ensure that a ripple can be formed at each frequency. If the increment is too large, measurements would have to be made at many more frequencies, and the results plotted and inspected to select the frequencies where ripples were strong.

5.2.2 Measurement procedure for validation from 1 GHz to 18 GHz

To validate a chamber to be used for antenna calibration using the TAM described in 9.5.1.3 of CISPR 16-1-6:2014, the same antenna types shall be used. One antenna is placed at one end of the anechoic chamber and its main beam is directed along the main axis of the chamber. A paired antenna mounted on a moving carriage is placed on the same axis at the designated distance from the transmit antenna, as shown in Figure 8.

The measurand is the magnitude of the peak-to-peak ripple in a plot of signal level against antenna separation distance, formed by the interaction of the chamber reflections with the

direct signal between the antennas. Vertical polarization is preferred, because the beamwidth in the vertical plane is narrower, and typically the floor and any walk-on absorber are the closest surfaces to the antennas; this also assumes that the subsequent calibration of antennas is done using vertical polarization.

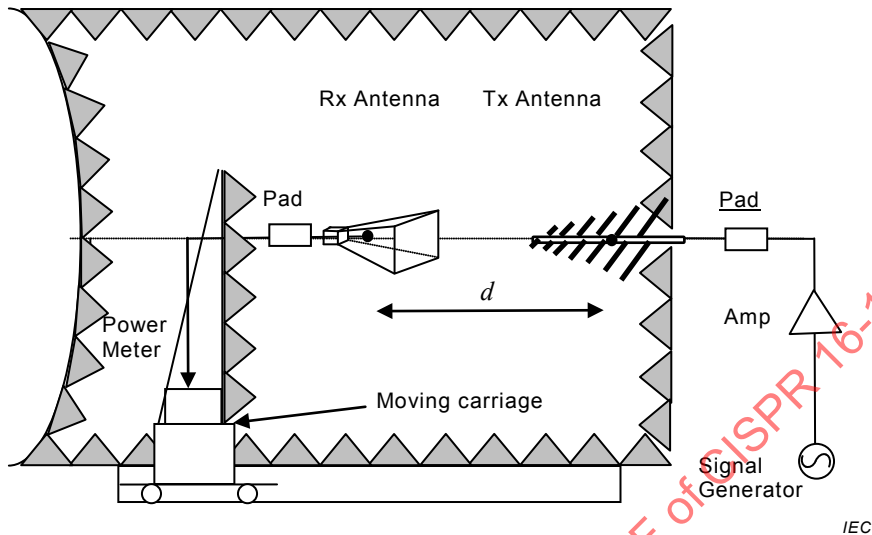


Figure 8 – Set-up of site validation for EMC antenna calibrations above 1 GHz in a FAR, also showing distance between antenna phase centres

The validation is performed only at the largest separation distance required for antenna calibrations, under the assumption that the closer the antennas are the smaller will be the wall reflections in proportion to the direct signal between the antennas. Typically the largest distance is 3 m. It is important that the antenna supports are adequately covered by absorber, otherwise reflections from the supports would have a larger effect at 1 m than at 3 m. If in doubt, and if the chamber is to be used for 1 m calibrations, some exploratory validation measurements at 1 m shall be made.

For a validation over the range 2,8 m to 3,2 m, a pair of horns may be used. However, because of the dominating standing wave between horns at shorter distances, for the range 0,8 m to 1,2 m, a pair comprising one horn and one LPDA antenna shall be used. Another factor is errors caused by the large variation in phase centre of some DRH antennas. For an example of a particular DRH/LPDA antenna pair, the peak-to-peak magnitude of the ripple was measured to be less than 0,2 dB for 3 m separation, which includes chamber reflections, indicating that any standing wave between the antennas is not significant.

This validation method is valid for the frequency range of 1 GHz to 18 GHz, but may be applied just in any sub-range that is to be used for antenna calibration. The frequency increment shall be no greater than 0,5 GHz.

NOTE CISPR 16-1-6 recommends that LPDA antennas be calibrated using two horn antennas by the TAM. If a calibration is performed using an LPDA/LPDA pair, strictly speaking the chamber is validated only by an LPDA/LPDA pair, because they will incur more chamber reflections due to their wider beamwidths. Alternatively, a component is added to the uncertainty budget to allow for greater chamber reflections.

Either a full two-port calibration of the VNA shall be made, or well matched padding attenuators shall be used on the antenna ports. A curved right angle adaptor (with low return loss) may be used to avoid the pad and cable being visible behind the antenna aperture, as viewed from the centre of the other antenna.

If all measurements are made in one session in which the VNA and cables remain undisturbed, it is not necessary to measure $S_{21 \text{ cable}}$ with the antenna cables connected together; if more than one session, then $S_{21 \text{ cable}}$ shall be measured for each session and the

results subtracted from the antenna measurement results, $S_{21 \text{ antennas}}$. The receive antenna is moved along the main axis, and $S_{21 \text{ antennas}}$ measured.

Minimum movement of the cables should be ensured and tightness of all connectors checked, because changes in received signal strength due to these factors can be of similar magnitude to the chamber reflections being diagnosed. Assuming that the lowest frequency is 1 GHz, the antenna is moved over a minimum range of 2,8 m to 3,2 m between the tips of the antennas. The distance increment shall be no greater than $\lambda/8$, which at 18 GHz implies an increment of 0,002 m. An automated scanner should be used, with its exposed parts covered with appropriate absorber. As the separation distance is increased, absorber should be placed on the exposed floor.

5.2.3 Analysis of results

The S_{21} data are to be converted into plots at each frequency of signal level against distance, following the steps given in this subclause. As the distance between the antennas is increased, the signal level is assumed to fall off inversely proportional to distance. Although there is a change in horn gain with distance, this is small enough to be ignored, especially at 3 m distance. The term d is the separation distance between the front face of the horn antenna and the tip of the LPDA antenna.

The separation distance, d , shall be corrected for the phase centres of the antennas, as described in the following analysis steps. Because the precise phase centres of the antennas can be unknown, the plots of signal level against distance can have an excessive gradient, making it less easy to quantify the magnitude of any peak-to-peak ripple. The plots may be made more horizontal by applying an experimental correction to the distance.

For the LPDA antenna, a simplified correction for the phase centre using Equation (7) may be made. DRH antennas do not have such simply predictable phase centres; however this validation procedure provides the data for determining the phase centres, and is described in 7.5.3.2 of CISPR 16-1-6:2014.

- a) At every frequency, measure $S_{21 \text{ cable}}$ once, then measure $S_{21 \text{ antennas}}$ for each separation distance. Calculate SIL relative to distance, i.e. $A_{im}(d)$, as shown in Equation (6). It may not be necessary to measure $S_{21 \text{ cable}}$, as explained in 5.2.2, because the $A_i(d)$ at all distances are normalized by the $A_{im}(d)$ at 3 m distance in b).

$$A_{im}(d) = S_{21 \text{ cable}} - S_{21 \text{ antennas}} + 20 \lg(d) \quad (6)$$

- b) Assume the data from a) are presented in a spreadsheet whose first column is frequency, and subsequent columns are $A_{im}(d)$ at each distance. Transpose the data so that the first column is the separation distance, d , and the subsequent columns are $A_{im}(d)$ at each frequency. This layout is more intuitive for applying the phase centre corrections which are frequency dependent, and it sets the data in the right format for plotting $A_{im}(d)$ at each frequency against separation distance. Normalize all the rows to the centre distance, in this case 3 m, i.e. $[A_{im}(d) - A_{im}(d_{3m})]$. To each column of data at a given frequency, apply a distance correction for phase centre using Equation (7), where $d_{1f \text{ radome}}$ is the distance from the tip of the LPDA to its phase centre at a given frequency. Equation (7) is the simplified equation for phase centre; refer to 7.5.2.2 in CISPR 16-1-6:2014 for explanation of $d_{1f \text{ radome}}$. Because great precision in the antenna separation is not required to obtain a measurable ripple, it is assumed that the length of the LPDA antenna is the estimated active length, d_{LPDA} , across the frequency range over which the measurement is made, unless information is available about the actual position of the dipole elements.

$$d_{1f \text{ radome}} = \frac{f_{\max}^{-1} - f^{-1}}{f_{\max}^{-1} - f_{\min}^{-1}} d_{\text{LPDA}} \quad (7)$$

where f_{\max} and f_{\min} are the maximum and minimum design frequencies of the antenna, and f is the frequency at which the correction is required.

- c) Plot $A_{im}(d)$ against d at all frequencies on one graph. If the median line through an individual plot at a given frequency is not horizontal, this is an indication that the corrections in a) for separation and b) for LPDA phase centre are incomplete.

NOTE 1 By experimentation, a correction can be applied to all values of $A_{im}(d)$ at that frequency, i.e. to the frequency column in the spreadsheet. When the plot becomes horizontal, the correction can give useful information about the phase centres of the antennas, or the variation of gain with distance particularly if the validation is centred about 1 m separation. A correction that increases the separation signifies that the phase centre is behind the front face of the horn. In cases where the peak-to-peak magnitude is small, e.g. 0,2 dB for a horn-LPDA pair, this process can be unreliable. This process is more reliable where there is a clear standing wave between the antennas, as is the case for horn-horn pairs. It is noted also that computer modelling by Harima [26] indicates that large variations with frequency of the phase centre of DRH antennas can occur.

- d) By inspection of the plots, estimate the peak-to-peak magnitude of the ripple at each frequency. If the plot is not quite horizontal, a straight line should be drawn through its centre, and the adjacent maxima and minima measured from this straight line. Over the separation range, the largest adjacent maximum-minimum value is compared to the acceptance criterion. Example plots of $A_{im}(d)$ against distance at a sample of frequencies are shown in Figure 9. The LPDA phase centre corrections applied to Figure 9 varied from 0,27 m at 1 GHz to 0,0 m at 18 GHz. A single correction of 0,12 m behind the front face of the horn was applied at all frequencies; probably this should be larger at 1 GHz and 2 GHz.

NOTE 2 The data of Figure 9 was taken in 0,02 m increments in the range 2,8 m to 3,2 m, and clearly the increment is too coarse above 6 GHz for peaks and nulls to form. However 1,5 cycles are developed at 1 GHz, which indicates this can be sufficient range. The largest spread is at 1 GHz and 2 GHz, which is partly caused by the wider beamwidth of the DRH antenna at the lowest end of its specified frequency range.

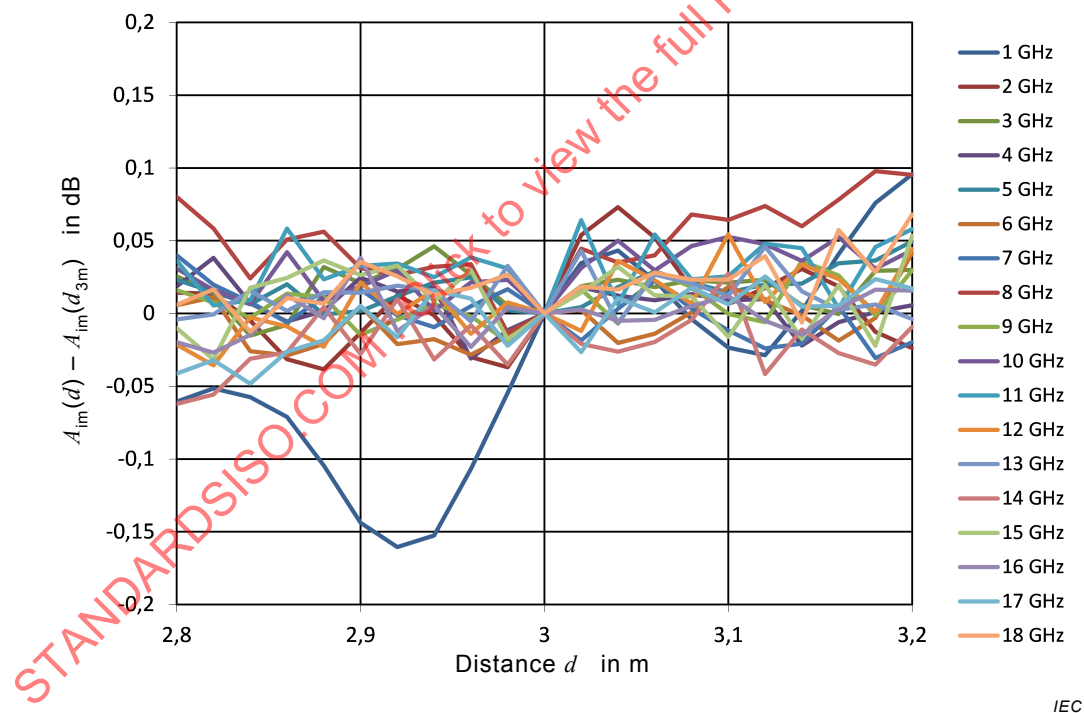


Figure 9 – Example plots of $[A_{im}(d) - A_{im}(d_{3m})]$ in dB against distance in m at 1 GHz to 18 GHz in 1 GHz steps, corrected for LPDA and horn phase centres

5.2.4 Acceptance criterion

The “quietness” of the quiet zone is dependent on the reflection levels from the walls, floor and ceiling of the FAR, and other reflecting objects. The lowest frequency band of the chamber shall be given a more careful examination, because typically the absorber reflectivity is higher at lower frequencies.

The acceptance criterion is a peak-to-peak variation of $A_{im}(d) \leq 0,5$ dB over one cycle, attributable to the wall reflections (i.e. between adjacent peaks in Figure 9). The quiet zone

shall be achieved over the required distance. Half the achieved maximum peak-to-peak variation of $A_{im}(d)$ is used as the uncertainty contribution for site imperfections, in the overall measurement uncertainty of AF.

5.2.5 Chamber performance versus polarization

For a perfect FAR, the measurement results of two polarization matched antennas should show no difference whether the antennas are horizontally or vertically polarized. But for a non-perfect FAR, there are likely to be differences. Optionally the measurements are repeated with the antennas horizontally polarized, and plots of $A_{im}(d)$ compared against d for the two polarizations. Differences between the two plots can be helpful in revealing where improvements can be made to the chamber reflectivity.

5.2.6 Uncertainty

Table 9 shows an example of an uncertainty budget. The uncertainty is of the peak-to-peak ripple. Half the magnitude of the peak-to-peak ripple is used as an uncertainty component for antenna factor of antennas calibrated in the chamber. The ripple assumes constant antenna gain and no antenna-to-antenna mutual coupling, so these are essential components in the budget. The measuring receiver stability is included in the repeatability component.

Table 9 – Example measurement uncertainty budget for FAR validation method at and above 1 GHz

Source of uncertainty or quantity X_i	Value dB	Probability distribution	Divisor	Sensitivity	u_i dB	Notes ^a
Measuring receiver linearity	0,1	Rectangular	$\sqrt{3}$	1	0,06	1)
Uncertainty of phase centre correction	0,1	Rectangular	$\sqrt{3}$	1	0,06	2)
Antenna separation error of 15 mm in 3 m	0,05	Rectangular	$\sqrt{3}$	1	0,03	3)
Gain variation with distance, based on 3 m	0,1	Rectangular	$\sqrt{3}$	1	0,06	4)
Antenna mutual coupling	0,2	Rectangular	$\sqrt{3}$	1	0,12	5)
Mismatch	0,1	U-shape	$\sqrt{2}$	1	0,06	6)
Repeatability	0,05	Normal	2	1	0,03	7)
Combined standard uncertainty on above 1 GHz chamber validation, $u_{\text{Site Val}}$ in dB					0,16	
Expanded uncertainty ($k = 2$), $U_{\text{Site Val}}$ in dB					0,33	
^a The number of each item corresponds with the Note numbers below. See also Annex E of CISPR 16-1-6:2014 for additional uncertainty component descriptions.						
Notes:						
1) Uncertainty associated with a VNA.						
2) This is the error in the antenna phase centre prediction at a given frequency. The phase centre contribution is applicable to LPDA and hybrid antennas; see 7.5.2.2 of CISPR 16-1-6:2014 for details.						
3) This error is estimated for a difference in position of less than 15 mm of the two antennas. The calculation of the magnitude of the error uses the separation distance between the antennas.						
4) Variation of horn antenna gain with distance. At a distance of 1 m from the horn aperture, for a 1 GHz to 18 GHz DRH antenna the variation is up to 1 dB reduction in gain. Therefore the field cannot be assumed to fall off inversely proportional to distance. Unless the gain is known at all distances, this should be included as an uncertainty term.						
5) Mutual coupling between two antennas shows as a ripple in a plot of SIL versus distance for a change of antenna separation of at least $\lambda/2$. The amplitude of this ripple should be included as an uncertainty. The mutual coupling depends on the antenna mismatch. This ripple can be larger than that caused by multiple reflections from the chamber, but it is the latter which is tested against the acceptance criterion.						
6) The mismatch uncertainty between the transmit antenna and receive antenna and the cables is to be considered. The maximum contributions are to be included in the uncertainty calculation, for the transmitting and receiving side.						

7) The repeatability contribution includes the set-up errors (e.g. antenna heights, antenna distance, and antenna positioning). It also includes connector repeatability, and movement of cables. A set of 10 calibrations should be performed, including a complete tear-down and set up, to obtain a reliable value.

5.3 Validation of a FAR for the calibration of antennas by alternative methods

5.3.1 General

While 5.2.2 describes the validation of a FAR above 1 GHz, 5.3.2 describes the validation of a FAR to use for subsequent antenna calibrations from 30 MHz to 1 GHz. This also assists with determination of the transition frequency for hybrid antennas, described in 6.1.2 of CISPR 16-1-6:2014. Subclause 5.3.3 describes an alternative method to 5.2.2, for the calibration of LPDA antennas above 1 GHz. Finally, time-domain measurements for FAR site validation above 500 MHz are described in 5.3.4.

5.3.2 Validation of a FAR from 30 MHz to 1 GHz

This subclause covers the validation of a FAR for the calibration of the following antennas by the SAM:

- a) biconical and hybrid antennas from 30 MHz to 300 MHz, as described in 9.2 of CISPR 16-1-6:2014, and
- b) dipole antennas from 60 MHz to 1 000 MHz.

The reason for a lowest frequency of 60 MHz in b) is that a dipole length of 2,4 m can be accommodated in most FARs, reducing the number of lower frequencies that have to be done on a CALTS.

Over the frequency range 30 MHz to 1 GHz, a sufficiently uniform field can be achieved in a FAR whose field uniformity when measured according to the FAR validation procedure of CISPR 16-1-4, i.e. using a mini-biconical transmit antenna, meets an NSA criterion of $\pm 2,5$ dB (see NOTE 2 and NOTE 3). The validation measurement volume is a cylinder that just encloses the AUC (e.g. the largest elements on a hybrid) and the receive antenna is at a distance of X m from the centre of the volume, where X is the separation distance used for the antenna calibration set-up given in 9.2.2 of CISPR 16-1-6:2014. Usually the minimum variation of field uniformity is obtained with the axis between the antennas in the centre of the room.

The distances required from the FAR walls, as well as ground and ceiling, depend on the antenna directivities in the E-plane and H-plane (see definitions 3.1.1.16 and 3.1.1.17 of CISPR 16-1-6:2014). There shall be a minimum distance of 1 m between the extremities of the absorber and the extremities of the antennas.

Meeting the NSA acceptance criterion of $\pm 2,5$ dB will enable uncertainties in the measurement of antenna factor as low as $\pm 1,2$ dB to be achieved for a hybrid antenna. Assessment of the suitability of the FAR to achieve lower uncertainties may be investigated by employing the comparison method of 7.1.

NOTE 1 Normalized site attenuation (NSA) is SA minus the AFs of the two antennas.

NOTE 2 The NSA criterion of $\pm 2,5$ dB is a relaxed value from a more desirable value of ± 2 dB, achievable by e.g. national measurement institutes (NMIs). It is intended to revert to ± 2 dB when justified by data from other laboratories.

NOTE 3 Absorber reflectivity criteria are described in N20) in E.2 of CISPR 16-1-6:2014.

5.3.3 Alternative validation of a FAR for the calibration of LPDA antennas above 1 GHz

For frequencies above 1 GHz, a sufficiently uniform field can be achieved in a FAR that has been validated by the S_{VSWR} method of CISPR 16-1-4, using an antenna separation of 3 m and an acceptance criterion $S_{VSWR,dB} \leq 2$ dB. Due to the small size of the active region of the

AUC above 1 GHz, a single location is validated. For the calibration of the antennas, their separation distance is assumed to be less than 3 m, e.g. 2,5 m between the centre of an LPDA and the LPDA part of hybrid antennas, as illustrated in Figure 10 (see 6.1.1).

The validation applies for the subsequent calibration by the TAM or the SAM of LPDA and hybrid antennas of the type that was used as the receive antenna for the validation.

5.3.4 Alternative validation of a FAR applying time-domain measurements above 500 MHz

For frequencies above 500 MHz, a FAR may be validated using the time-domain option of a VNA. The time domain option compares the direct path of propagation between two antennas to the multipath reflections. The source of the reflections can be identified and assigned to e.g. a mast, absorber-lined wall, or imperfection of a FAR. The measurement uncertainty is derived from the levels of the direct beam relative to the RSS of the multipath reflections.

Due to the small size of the active region of an AUC, a single location is validated. For the calibration of the antennas, their separation distance is assumed to be less than 3 m, e.g. 2,5 m between the centres of the antennas, as illustrated in Figure 10 (see 6.1.1).

All common antenna types, such as biconical, LPDA, standard gain horn, or DRH antennas may be used for this validation. For each combination of antenna types, e.g. DRH and LPDA, or LPDA and biconical, a single validation shall be done in the FAR, because the sensitivity for reflections differs for each combination of different antenna designs due to the differing typical antenna radiation patterns.

6 Validation methods for sites used for the calibration of directive antennas

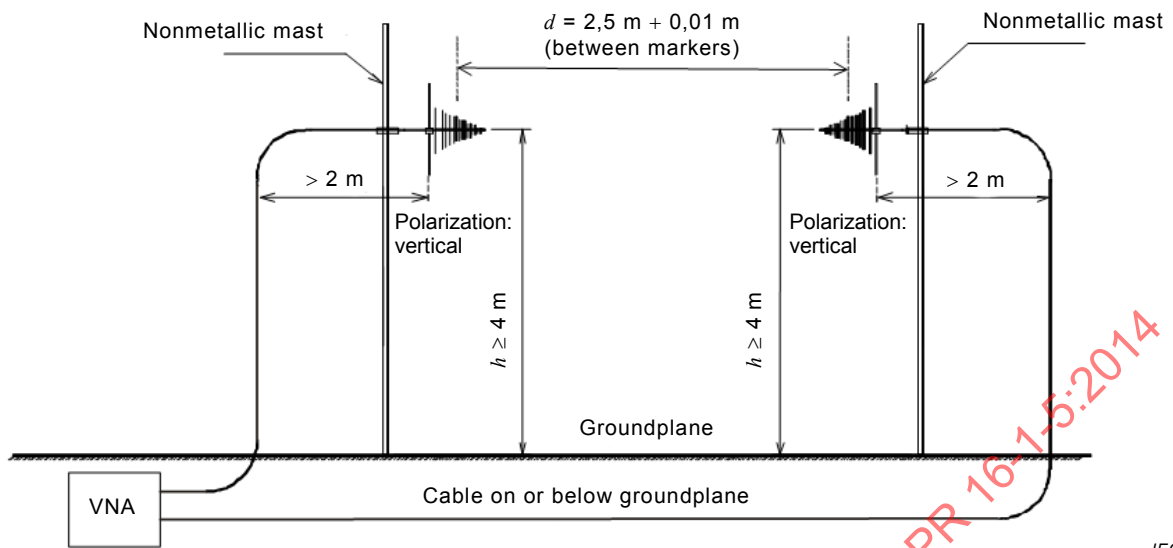
6.1 Validation of the calibration site minimizing ground reflection by a height ≥ 4 m

6.1.1 Measurement procedure

This subclause provides a procedure for validating an outdoor site for subsequent use in calibrating EMC LPDA, hybrid and horn antennas above 200 MHz and up to 18 GHz, as described in 9.4 of CISPR 16-1-6:2014. A ground plane is not required, but the site shall be free of reflections from obstacles following the same principles applicable to a CALTS; also it need not cover as much area as does a CALTS.

If the site does not have a ground plane or surface with a stable reflection coefficient, this validation procedure shall initially be carried out before each use of the site to calibrate antennas, until such time as the worst case reflection is identified, and hence the minimum antenna height. The reflection coefficient of the ground can vary according to the amount of moisture and vegetation, and reflections from any proximate trees can vary.

Besides ground reflectivity, the height required for the undesirable ground reflections to be acceptable is dependent on the separation and directivities of the pair of antennas, and whether they are horizontally or vertically polarized. Vertical polarization is preferred, as shown in Figure 10, because the E-plane pattern is more directive than the H-plane pattern, giving less signal pointing towards the ground. For a specific target uncertainty, the required antenna height is found by starting with a low height (e.g. 2 m) then increasing the height of the antennas in tandem, in steps of a maximum of $\lambda/8$, while monitoring the SIL.

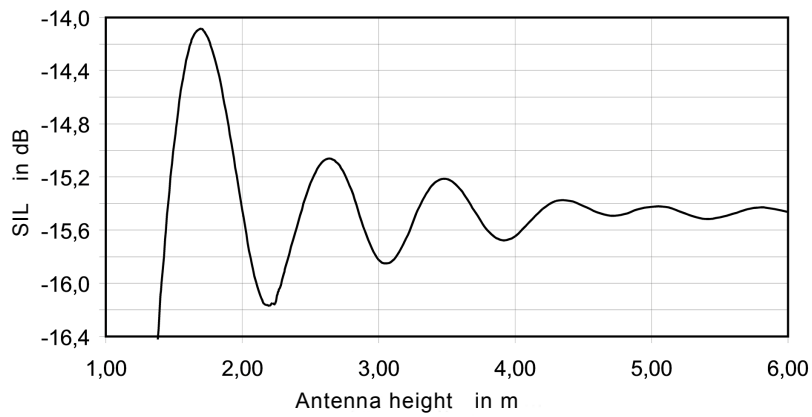


IEC

Figure 10 – Example of antenna set-up for an LPDA antenna calibration in the frequency range above 200 MHz

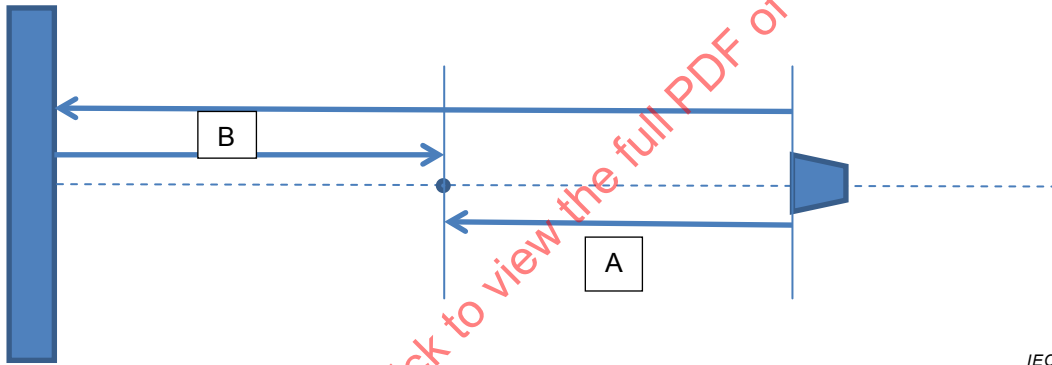
The aim is to cover a sufficient range in height to generate a clear sinusoidal ripple in the SIL, as shown in the example trace in Figure 11, from which the peak-to-peak magnitude can be found. For example above 1875 MHz, a step of 0,02 m over a minimum height traverse of 0,2 m may be used. The ripple is predominantly the result of a main reflection from the ground interacting constructively and destructively with the signal directly between the antennas; however effects of reflections from the environment, such as buildings and trees, will be superimposed on the trace. A tolerance for the site is a peak-to-peak ripple of less than 0,2 dB. This height and separation for that antenna pair in that location constitutes the calibration site. Figure 11 shows that the variation of the SIL is below 0,2 dB at a height of more than 5 m.

However, reflections from tall buildings giving a constant reflection with change in antenna height would not show up by this method. The worst case is a reflective surface in the boresight of the transmit antenna. Figure 12 shows a horn transmitting to an omni-directional antenna. For such reflections to contribute an uncertainty of less than 0,2 dB, the difference in the distances travelled by the transmitted signal, A, to the omni antenna, and the reflected signal, B, to and from the building to the omni antenna, shall be greater than 42 m. In other words, for the boresight scenario in Figure 12 a perfectly reflecting building shall be $> 42 \text{ m}$ from the horn antenna. The distance to the building may be less if the receive antenna has a null in the backward direction. For buildings and metal fences, for example, parallel to the boresight direction, a similar analysis should be carried out, taking into account the radiation patterns of the antennas.



IEC

Figure 11 – Example of SIL versus antenna height measured at 200 MHz with two LPDA antennas in vertical polarization at 2,5 m distance between their midpoints above the reflecting ground plane of an OATS



IEC

Figure 12 – Illustration of distances of transmit horn to omni-directional receive antenna and reflective building, and transmitted signal paths A and B

6.1.2 Uncertainties

The measurand is the variation of the received signal as the antennas are scanned in height. An example uncertainty budget is given in Table 10.

Table 10 – Example measurement uncertainty budget for the site validation method in 6.1.1

Source of uncertainty or quantity X_i	Value dB	Probability distribution	Divisor	Sensitivity	u_i^a dB	Note ^c
Measuring receiver noise	0,02	Rectangular	$\sqrt{3}$	1	0,012	1)
Reproducibility of antenna height at which the criterion is reached	0,1	Normal	1	1	0,1	
Cable attenuation variation due to temperature or flexing	0,15	Rectangular	$\sqrt{3}$	1	0,087	2)
Ambient RF interference, assuming an ambient signal/receiver noise ratio of at least 20 dB	0,086	Rectangular	$\sqrt{3}$	1	0,050	3)
Linearity error for low level signals, typically < -70 dBm ^b	0,08	Rectangular	$\sqrt{3}$	1	0,046	4)
Combined standard uncertainty, u_c					0,15	
Expanded uncertainty ($k = 2$), $U_{\text{Site Val}}$ in dB					0,30	
<p>^a The sensitivity coefficient, c_i, by virtue of the additivity of the model, is unity for all components. A frequency accuracy of ≤ 10 ppm is assumed.</p> <p>^b 0,08 dB was in the VNA specification and is an example only.</p> <p>^c The number of each item corresponds with the Note numbers below. See also Annex E of CISPR 16-1-6:2014 for additional uncertainty component descriptions.</p> <p>Notes:</p> <p>1) For receiver noise, see 6.2.4 of CISPR 16-1-6:2014.</p> <p>2) Variation of cable attenuations in the time between the reference attenuation (direct connection) measurement and SIL measurement (with antennas). This may be assumed if the calibration is not performed under extreme environmental conditions (e.g. OATS with temperature changes of more than 5 °C during the calibration process). The minimum cable bend radius should be available from the cable manufacturer. Assess the effect of cable bending through repeat measurements.</p> <p>3) It is assumed that narrowband ambient signals may be skipped, and the AF at these frequencies may be calculated by interpolation. For receiver noise, see 1).</p> <p>4) For receiver linearity, see 6.2.3 of CISPR 16-1-6:2014.</p>						

6.2 Validation of the calibration site minimizing ground reflection by use of absorber

Alternatively the antennas may be placed at a lower height (e.g. 2,5 m) with absorber on the ground between the antennas. The absorbing material should have a reflectivity of less than -40 dB at normal angle of incidence across the frequency range of calibration. Assuming an antenna separation of 2,5 m between their mid-points, an area of absorber of 2,4 m length centrally between the antennas and a minimum of 1,8 m width should be used. The same principle of site validation as described in 6.1 may be used.

Alternatively, the measurements may be done in a large fully-anechoic room (FAR). In this case, for site validation the variation of SIL needs to be monitored in two directions: a) using antenna height variation until the minimum of SIL variation versus height is reached (similar to the validation method in 6.1.1), and b) using a variation of the horizontal antenna positions in tandem of the two antennas until the minimum of SIL variation is reached. The distance required from the FAR walls as well as ground and ceiling will again depend on the antenna directivities in horizontal and vertical polarizations, similarly to 5.2. To ensure the effectiveness of absorber on the end walls, the monitoring will be repeated along the axis between the antennas.

7 Site validation by comparison of antenna factors, and application of RSM to evaluate the uncertainty contribution of a SAC site

7.1 Use of SAM for site validation by comparison of antenna factors

This subclause describes the conditions for validating a specific calibration site by comparing AFs measured on it to AFs measured on a site that has been validated by an independent method. A site validated in this way is suitable for use for antenna calibration by the SAM (see also A.9.4 of CISPR 16-1-6:2014). This technique can ensure a considerable cost saving in procuring a calibration site, because the site only needs to provide the EM field environment sufficient to calibrate a particular antenna type. In other words, the site does not need to be over-specified to meet the less focused acceptance criteria of the methods in Clauses 4, 5, and 6. The methods of 5.3 are excluded as validated independent alternative methods.

This technique is particularly suitable for manufacturers who test many of the same model of antenna. However, the site does need to be proved for each model of antenna intended to be calibrated. Small variations in mechanical dimensions of antennas are tolerated; see 8.3.3 of CISPR 16-1-6:2014 for guidance. Clause 6 of this standard has a principle similar to 9.4 of CISPR 16-1-6:2014, in that the site is validated by height scanning a specific pair of antennas.

As an example, this technique of site validation by comparison is beneficial if a calibration laboratory has a CALTS but wants to additionally do some calibrations indoors. The F_a measured in a FAR may be compared to the F_a measured on the CALTS. If the laboratory does not have a CALTS, it can get reference F_a from another calibration laboratory that is able to measure results with low uncertainties.

Another advantage of this technique, i.e. seeing how well F_a agrees with a reference F_a , is that the calibration method can be adapted. For example, in 9.2.2 of CISPR 16-1-6:2014 biconical antennas are calibrated by the SAM using an antenna separation of ≥ 4 m. This reduction from 10 m was found experimentally acceptable by this comparison technique, with the benefit that a smaller FAR may be used.

This technique is useful to extend the frequency range of a calibration site that has already been validated. One example is a requirement to calibrate a horn antenna down to 900 MHz in a FAR that was validated for horn antenna calibrations above 1 GHz. Instead of repeating the validation method down to 900 MHz, an alternative is to obtain a reference F_a for the horn antenna, then see how well the F_a measured in the FAR agrees.

A suitable indoor free-space environment can be achieved in a large enough space in which the extremities of the antenna are at least 1 m away from any absorber lined surface. The AUC and paired antenna shall be separated by at least 1λ , but because biconical antennas are electrically short below 50 MHz, a separation of 5 m is found to work well at frequencies as low as 30 MHz. Larger separations are desirable, because the closer the antennas are, the more sensitive is the resultant AF to the positions of the antennas. Also, when choosing to minimize the room size, the less absorber there is, the more sensitive is the resultant AF to the positioning of the antennas and their mutual coupling to metal surfaces. The best results are achieved when the STA is the same antenna model as the AUC, and is replaced in the same location of the AUC, to a tolerance of better than ± 5 mm in all three Cartesian axes, for frequencies below 1 GHz.

The uncertainty of the measured F_a is obtained by arithmetically adding to the uncertainty of the reference F_a the difference between them, plus a margin for the reproducibility of this process. This added uncertainty can be reduced by repeated comparison measurements of a given type of antenna then using the standard deviation of the results.

This method of validating a site relies strictly on obtaining the same antenna factors, within the desired tolerance, for a given model of antenna. It relies on the site not changing, for the

subsequent calibrations by the SAM of the same model of antenna, with small variations allowed as stated in the second paragraph of this subclause. If there are any changes, including to the layout of any component such as the antennas, masts, and cables, the initial validation shall be repeated.

This method of validating a site is not suitable for antennas with imperfections, e.g. poor balun imbalance that can affect the performance of an antenna within and between calibrations. The validation process can be more intensive than for sites specified to conform to regular validation methods. It is suitable for operators who need to calibrate many of the same model of antenna.

7.2 Application of RSM to evaluate the measurement uncertainty contribution of a calibration site comprising a SAC

Site validation by the comparison of AFs using the SAM is considered in 7.1. Site validation can also be done by comparing the AFs using TAM or SSM measured on a CALTS with those measured on a calibration site to be validated; this can be achieved using RSM in horizontal polarization. This subclause describes the conditions for validating a calibration site comprising a SAC by the use of the RSM basic procedure that is described in CISPR 16-1-4. The resulting contribution of measurement uncertainty of a calibration site validated by this method is usually higher than the contribution of a CALTS.

A site validated using this method is suitable for use for antenna calibration using the SSM (see CISPR 16-1-6). This technique of validation can ensure a considerable cost saving in procuring a calibration site in a SAC, because the site only needs to be validated using broadband antennas of limited size to calibrate a particular antenna type; the site does not need to be over-specified to meet the less focused acceptance criteria of the methods in Clauses 4, 5, and 6.

NOTE The uncertainty of AFs measured in 10 m SACs used as calibration sites can be on the order of 1,5 dB.

This technique of site validation by using a transfer function – in this case by the A_{APR} (see e.g. Clause 5 of CISPR 16-1-4:2010, AMD1:2012) – is beneficial if a calibration laboratory does not have a CALTS but wants to do calibrations in a SAC. The laboratory can get the reference A_{APR} from another calibration laboratory, e.g. a national measurement institute, which is able to provide results with low uncertainties.

This validation procedure is applicable for horizontal polarization using common antennas like biconical, LPDA, or hybrid types. The validation procedure shall be done for typical antenna characteristics, as they can differ significantly due to characteristic antenna patterns. As an example, higher directivity or different front-to-back-ratio in radiation patterns can affect interactions differently, e.g. of walls, masts, or cables.

Usually a SAC has limited dimensions and unique characteristics due to size, geometry and material of the absorber-lined chamber itself. Therefore a small SAC cannot be qualified as a CALTS with tuned dipole antennas. Regardless, a reasonable way to qualify and quantify a SAC is the RSM that may be applied using a transfer function (i.e. antenna pair as a transfer standard) that has been calibrated on a CALTS/REFTS with a low associated measurement uncertainty.

The procedure, which basically consists of antenna pair measurements with one antenna at a height of 2 m and the paired antenna being scanned from 1 m to 4 m height at 10 m distance, shall be carried out on a suitable measurement axis in the absorber-lined chamber. Suitable here means that the site attenuation of the axis deviates as little as possible from that of an ideal OATS. The experimental determination of the suitable axis can be supported with considering existing measurements of the NSA of the absorber-lined chamber. The A_S measured in a SAC can be compared to the theoretical $A_{S,ref}$ (see 5.4 of CISPR 16-1-4:2010, AMD1:2012) by using the A_{APR} calibrated on a CALTS or REFTS.

Due to the different mechanical dimensions of common antenna types, it is not always sufficient to carry out the validation on only a single measuring axis with fixed antenna positions. In the case of an AUC that is larger than the antennas that were used during the initial validation measurement, the corresponding volume of the AUC shall be validated by one or more additional measurements. Because it is rather complex to find a suitable measurement axis, a corresponding volume for the most common antenna sizes should be evaluated during the primary validation process before doing any calibrations. Calibrations of antennas exceeding the validated volume are invalid.

The resulting difference between the measured A_S and the $A_{S, ref}$, applying the A_{APR} of the transfer functions that have been calibrated on the CALTS/REFTS, shall be considered in the overall measurement uncertainty of the subsequent antenna calibration. If more than one validation measurement is applicable to qualify a larger test volume, the maximum uncertainty of all validation measurements shall be included in the overall measurement uncertainty.

The evaluation of the uncertainty for the validation results is very similar to that of the CALTS, because the measurements and alignments during validation are done based on similar test equipment and requirements (see Table 2 and Table 11). A single additional uncertainty contribution for the site validation results is considered, due to the transfer function(s) used (i.e. A_{APR}) rather than calculable dipoles. This transfer function has a measurement uncertainty that shall be considered in the overall measurement uncertainty for AF results from the calibration site.

Table 11 – Maximum tolerances for validation set-up at $d = 10$ m

Parameter	Maximum tolerance	Subclause
d	$\pm 0,04$ m	4.4.2.3
h_t	$\pm 0,01$ m	4.4.2.4
h_r	$\pm 0,01$ m	4.4.2.5
f	$\pm 0,001f$	4.4.2.2

Annex A (informative)

CALTS characteristics and validation

A.1 General

The normative specifications of this standard in general mean that a CALTS is a special type of OATS. However, the normative specifications do not require that a CALTS shall always be an OATS. Consequently, a CALTS may be weather protected, located in a large salt mine, etc., as long as all normative specifications are met. A CALTS can also be useful where the ground reflection is not utilized, because the validation of a CALTS includes the minimization of reflections from surrounding objects. Furthermore, a ground plane provides a rigid flat surface facilitating the alignment of antennas. The considerations in A.2 and A.3 apply also for a REFTS. Other test site details can be found in Clause 5 of CISPR 16-1-4:2010, AMD1:2012, while additional information is given in this annex.

A.2 The reflecting plane

A.2.1 Reflecting plane construction

The reflecting (ground) plane material may be a solid sheet or a wire mesh. The sheet or the mesh should preferably be continuously welded at the seams, or at distances along the seams $< \lambda_{\min}/10$, where λ_{\min} is the wavelength associated with the highest frequency to be considered. If a wire mesh is chosen, care should be taken that the crossing wires make good conductive contact with each other. The mesh width should be less than $\lambda_{\min}/18$ to give an uncertainty contribution of less than 0,1 dB in the SA for both VP and HP for angles of incidence out to 79° from normal, which represents antennas at 1 m height separated by 10 m. The error is much less for HP [27].

The thickness of the material is determined by mechanical strength and stability requirements. A value of conductivity equal to or better than that of iron is sufficiently high. The shape of the plane is not very critical as long as the plane is not the ellipse shape of a Fresnel zone (see A.2.2). A flatness and roughness [8] of $\leq \pm 10$ mm, i.e. $\leq \pm \lambda/30$ at 1000 MHz, will normally suffice. Any protective layer on the reflecting plane can alter the phase of the reflected wave [9]. The layer should not cause ϕ in Note 2 of 3.1.2.6 to change by more than $\pm 3^\circ$. A thin coating of white epoxy paint, for example, has been found not to affect the RF reflection properties of the ground plane, while greatly reducing the thermal expansion of the plane.

The horizontal dimensions of the plane have to be large enough that the influence of the finite plane dimensions on the uncertainty margin associated with subsequent antenna calibrations is sufficiently low. Unfortunately, as yet no theoretical models are available which relate the minimum horizontal plane dimensions to a specified maximum uncertainty margin for an antenna calibration. One criterion is that the first Fresnel zone should be incorporated in the reflecting plane ([6], [7], and [8]). This leads to a plane with minimum dimensions of 20 m (length) by 15 m (width). However, at the lowest frequency of 30 MHz, and with an antenna separation of 10 m, this allows only $\lambda/2$ (where λ is a wavelength) to the ends of the ground plane, or $\lambda/4$ from the tips of a 30 MHz dipole. A minimum distance of λ from the centre of the antenna should be used, which implies minimum dimensions of 30 m by 20 m.

If the ground plane is smaller, it should meet the site acceptance criteria in both horizontal and vertical polarizations. Vertically polarized antennas couple less strongly to the ground plane than horizontally polarized antennas; therefore a smaller ground plane can be used for VP. Also where the ground plane reflection is not utilized, as in the calibration of LPDA antennas at > 4 m height, the area of ground under the antennas need not conform to the minimum ground plane size. Part of the difficulty with modelling is how to terminate the

ground plane at its perimeter. Connecting wire mesh all around the perimeter and tapering it gradually into the surrounding damp earth can improve performance, but the conductivity of the earth depends on its moistness, and this practice does not guarantee an improvement.

A.2.2 Plane-edge effects and plane surroundings

When limiting the dimensions of the reflecting plane, the edge of that plane automatically presents a transition (discontinuity) to a medium with different reflecting properties, so that the EM waves can be scattered at that edge and cause an unwanted influence on the measured results. Edge diffraction is usually noticeable for vertically polarized results, but is negligible for horizontally polarized results [12].

Among other things, the amount of scattering depends on whether the reflecting plane is in the same plane as the surrounding soil (wet or dry soil can already introduce a difference [10]), or the reflecting plane is elevated, e.g. it is located on a roof top. Results of investigations can be found in [11], where it is also demonstrated that the reflecting plane should never have the shape of the first Fresnel ellipse, because in that case the uncertainties introduced by the scattering at the edge can accumulate.

The edge of the reflecting plane may be multi-point earthed to the surrounding soil, and if the soil has good conductivity, e.g. when wet, it forms a good extension to the metal reflecting plane [12].

If potentially reflective obstacles are within a distance of, say, 30 m from the boundaries of the reflecting plane, it should be verified that the influence of these obstacles can be ignored. This verification may be performed by means of swept-frequency measurements using fixed length calculable dipoles, e.g. the set shown in Table A.1, where f_r is the resonant frequency of the dipole and B_s is the suggested bandwidth.

In the absence of anomalies, the response will vary in a smooth way. Anomalies can show relatively narrow-band resonances that will be superimposed on this response. These resonances identify exact frequencies at which the reflections from obstacles are worse. The location of a suspected obstacle can be verified at these frequencies by placing a large metal plate in front of it to exaggerate the resonance effect, oriented at an angle that gives maximum effect.

Table A.1 – Example of fixed-length calculable dipole antennas and their subdivision of the frequency range 30 MHz to 1 000 MHz

f_r MHz	B_s MHz
60	30 to 100
180	100 to 300
400	300 to 600
700	600 to 1000

A.3 Ancillary equipment

Care should be taken that items such as antenna mast material, adaptors, rope, effects of wetness of masts and ropes, guiding of the cables, connectors, possible presence of a turntable if the CALTS is also used as a COMTS, do not influence the measurement results. In these cases, swept-frequency measurements, as also mentioned in A.2, can reveal possible problems.

A calibration site can fail to meet the acceptance criteria because of reflections from the antenna supports and cables. In the first instance, origins of the reflections can be unknown,

thus significant reflections from the antenna supports should be ruled out. The effects of antenna supports can be mitigated by using lightweight masts, such as thin-walled glass fibre tube, with a minimum of metal parts confined to essential short bolts. Alternatively, polystyrene foam blocks can be used, particularly at frequencies above 500 MHz where the antennas have uniform H-plane patterns, such as dipoles.

Because the main components of masts are vertical and the cable drops vertically, reflections are likely to be greater for vertically polarized antennas. A procedure to determine the magnitude of mast and cable reflections is given in A.2.3 of CISPR 16-1-6:2014.

A.4 Additional stringent CALTS validation testing

A.4.1 General

The validation of a site by finding a SIL minimum (i.e. signal maximum) is introduced in 4.4.1, and described in 4.4.4. A more stringent test is to measure a SIL maximum (i.e. signal minimum, or null) (see also NOTE 1 of 4.2.2). This is a valuable method to confirm differences between measured and theoretical SIL that are much smaller than the acceptance criteria, and therefore to establish lower uncertainties for the performance of a calibration site. The procedure involves establishing a null in the signal response (see 3.1.3.2) from the coupling of two horizontally polarized dipole antennas above a ground plane. Careful attention also needs to be given to the reduction of reflections from masts and cables (see A.3).

There are two alternative ways of producing a SIL maximum. The first procedure, described in A.4.2, involves scanning the height of one of the test antennas to search for the maximum SIL, after which the measured and calculated heights of that antenna corresponding with that maximum are compared. The second procedure, described in A.4.3 involves fixed antenna heights and sweeping the frequency to search for the maximum SIL, after which the measured and calculated frequencies corresponding with that maximum are compared.

The measured antenna heights or the measured frequency should be within a certain margin of the calculated theoretical values in A.4.2.3 and A.4.3.3, respectively. Apart from the uncertainties in the various measurement data, this margin also takes into account the tolerances allowed in the measurement set-up. The suggested frequencies are examples; the principles can be applied at any frequency.

A.4.2 Antenna-height scan measurements

A.4.2.1 General

When choosing to perform receive-antenna height-scan measurements, these are carried out at three specified frequencies f_s , and with suitable dipole antennas. This subclause describes the three antenna height-scan measurements needed to determine the receive antenna height $h_{r,max}$ at which the measured SIL shows a sharp maximum, also known as a signal null.

A.4.2.2 Measurement method

A.4.2.2.1 Use the test set-up as described in 4.4.2, with the transmit antenna horizontally polarized at 2 m height and at a distance of 10 m from the receive antenna. The height of the centre of the receive antenna above the reflecting plane needs to be scannable over the range $1,0 \text{ m} \leq h_r \leq 4,0 \text{ m}$.

A.4.2.2.2 At three frequencies, f_s , of 300 MHz, 600 MHz and 900 MHz, the height of the receive antenna is increased from a height $h_r = 1,0 \text{ m}$ up to a height $h_{r,max}(f_s)$ corresponding with the first sharp maximum in the SIL.

NOTE The actual value of the minimum in the receiver reading is not of interest; this reading is only an indicator to find $h_{r,max}(f_s)$.

A.4.2.2.3 The height $h_{r,\max}(f_s)$ is measured and recorded together with its associated measurement uncertainty $\Delta h_{r,\max}(f_s)$.

A.4.2.3 Acceptance criteria

Refer also to 4.5.3 and Figure 7 for the application of this subclause. The CALTS complies with the receive antenna height criterion for a maximum in the SIL if at the three frequencies f_s (i.e. 300 MHz, 600 MHz, 900 MHz):

$$|h_{rc} - h_{r,\max}| < T_{hr} - \Delta h_{rm} \quad (\text{A.1})$$

where

h_{rc} is the theoretical height, in m, of the receive antenna at which the null occurs;

$h_{r,\max}$ is the measured receive antenna height, in m;

Δh_{rm} is the receive antenna height measurement uncertainty ($k = 2$), in m, as derived in A.4.2.4;

T_{hr} is the allowable tolerance of $h_{r,\max}$.

For h_{rc} , if the dipole is calculable, an option is to calculate the SIL as described in Annex C, using the test antenna data accompanied by the application of 4.3.2 g) and using the actual geometrical parameters L_a , d , h_t , and the actual frequency f_s .

Unless stated otherwise in the antenna calibration standard requiring the use of a CALTS, the allowed tolerance is $T_{hr} = 0,05$ m.

A.4.2.4 Measurement uncertainty

The measurement uncertainty Δh_{rm} in the measured height of the receive antenna $h_{r,\max}$ as defined in A.4.2.3, is given by:

$$\Delta h_{rm} = \sqrt{(\Delta h_{r,\max})^2 + (\Delta h_{rt})^2} \quad (\text{A.2})$$

where

$\Delta h_{r,\max}$ is defined in A.4.2.2;

Δh_{rt} accounts for the sensitivity of $h_{r,\max}$ to the parameter tolerances (maximum values as given in Table 2).

Δh_{rt} may be calculated using the model given in C.1.4.4.

If the tolerances of the parameters comply with those given in Table 2, $\Delta h_{rt} (k = 2) = 0,025$ m may be used at the three specified frequencies. In that case, Δh_{rt} calculations need not be performed, nor the results of the calculations reported in the CALTS validation report.

NOTE A rationale for $\Delta h_{rt} (k = 2) = 0,025$ m is given in C.1.4.4.

A.4.3 Frequency scan measurements

A.4.3.1 General

When choosing to perform frequency-scan measurements, these are carried out with both antennas set at fixed heights and a frequency scan is performed in three different frequency

ranges. This subclause describes the three swept-frequency measurements needed to determine the frequency f_{\max} at which a signal null occurs (see definition in 3.1.3.2).

A.4.3.2 Measurement method

A.4.3.2.1 Use the test set-up as described in 4.4.2, with the transmit antenna horizontally polarized at 2 m height and at a distance of 10 m from the receive antenna.

A.4.3.2.2 Perform three frequency scans about the frequencies, f_s , shown in Table A.2, with the receive antenna set to the corresponding height, h_{rs} .

Table A.2 – Receive antenna heights and centre frequencies

h_{rs} m	f_s MHz
2,65	300
1,30	600
1,70	700

A.4.3.2.3 Scan from a frequency well below f_s , for example 100 MHz lower than f_s , up to a value $f_{\max}(h_{rs})$ that corresponds with a sharp maximum in the SIL, i.e. a minimum in the receiver reading.

NOTE The actual value of the minimum in the receiver reading is not of interest. This reading is only an indicator to find $f_{\max}(h_{rs})$.

A.4.3.2.4 The frequency $f_{\max}(h_{rs})$ is recorded together with its associated measurement uncertainty, $\Delta f_{\max}(h_{rs})$.

A.4.3.3 Acceptance tolerance

Refer also to 4.5.3 and Figure 7 for the application of this subclause. The CALTS complies with the frequency criterion for a maximum in the SIL if, at the receive antenna heights h_{rs} :

$$|f_c - f_{\max}| < T_f - \Delta f_m \tag{A.3}$$

where

f_c is the theoretical frequency, in MHz, at which the null occurs;

f_{\max} is the measured frequency, in MHz;

Δf_m is the frequency measurement uncertainty ($k = 2$), in MHz, as derived in A.4.3.4;

T_f is the allowed tolerance of f_{\max} .

For f_c , if the dipole is calculable, an option is to calculate the SIL as described in Annex C, using the test antenna data accompanied by the application of 4.3.2 g) and using the actual geometrical parameters L_a , d , h_t , and h_{rs} .

Unless stated otherwise in the antenna calibration standard requiring the use of a CALTS, the allowed tolerance is $T_f = 0,03 f_c$.

A.4.3.4 Measurement uncertainty

The measurement uncertainty Δf_m at the measured frequency f_{\max} as defined in A.4.3.3, is given by:

$$\Delta f_m = \sqrt{(\Delta f_{\max})^2 + (\Delta f_t)^2} \quad (\text{A.4})$$

where

Δf_{\max} is defined in A.4.3.2;

Δf_t in MHz, accounts for the sensitivity of f_{\max} to the parameter tolerances (maximum values as given in Table 2).

Δf_t may be calculated using the model given in C.1.4.5.

If the tolerances of the parameters comply with those given in Table 2, $\Delta f_t (k = 2)/f_c = 0,015$ (dimensionless) may be used at the three specified receive antenna heights. In that case, Δf_t calculations need not be performed, nor the results of the calculations reported in the CALTS validation report.

NOTE A rationale for $\Delta f_t (k = 2)/f_c = 0,015$ is given in C.1.4.5.

STANDARDSISO.COM : Click to view the full PDF of CISPR 16-1-5:2014

Annex B (informative)

Test antenna considerations

B.1 General

An example of a test antenna is presented in B.2, while B.3 discusses the determination of the balun properties from S -parameter measurements, and/or from insertion loss measurements, as mentioned in 4.3.2 f). Another description of some of the material in B.3 is given in C.2.

B.2 Example and verification of a test antenna

An example of a test antenna, based on [12] and [14], is shown in Figure B.1. The balun of the antenna consists of the following components and characteristics.

- a) A 180° 3 dB hybrid coupler of which the sum port (Σ) is always terminated in the characteristic load impedance (assumed to be 50 Ω), and the difference port (Δ) is the input/output port of the test antenna.
- b) Semi-rigid coaxial cables connected to the balanced ports A and B of the hybrid coupler via high quality connectors, e.g. SMA connectors. The cables have a length of approximately 0,8 m or more, where this length is also used to distance the wire antenna from mast and coupler reflections.
- c) 3 dB attenuators at the output end of the semi-rigid cables acting as impedance stabilizing or matching pads (M), to which the wire elements are attached via SMA connectors. These connectors form the A and B ports (or C and D ports) mentioned in 4.4.4 and Annex C. The external conductors of these connectors are in electrical contact near the wire antenna, usually by soldering the outer conductors of the semi-rigid cables at the point where the inner conductors are exposed. This contact point is the reference point of the balun when performing S -parameter measurements.

The exposed wire protruding from the end of the semi-rigid cable should be as short as possible, for example 2,5 mm. The end of the wire element, or its brass extension in the element housing, should be tapered to a point for soldering to the exposed tip of the inner wire of the coaxial cable. The elements can be brass rod for the higher frequencies, or thin walled, therefore lightweight, stainless steel tube for the lower frequencies.

- d) The SIL between a pair of identical antennas is calculable with great precision. Here the term "identical" implies that the requirements of 4.3.2 are met. Careful design of the feed region of the wire elements is required. NEC cannot model the gap between the two halves of a wire element, nor the piece of dielectric material needed to support the elements in line. It has been found that the gap and dielectric have negligible effect on the antenna performance when the gap is less than 9 mm [see 4.3.2 c)], and when the length and bulk of the dielectric are just sufficient to provide a robust support for the dipole of a given length.

For example, the following support dimensions were estimated to have an effect of less than 0,02 dB at 30 MHz and less than 0,10 dB at 700 MHz: 1) for the 30 MHz dipole (see Table C.1), a 9 mm gap and a 22 mm diameter cylinder of Tufnol of length 130 mm; and 2) for the 700 MHz dipole, a 3,6 mm gap and a cuboid of Delrin (machinable PTFE) 16 mm by 13 mm by 10 mm, with 30 % of the volume removed for access to the push-on connector ends.

- e) The precision with which the dipole performance can be calculated can be confirmed by three methods of measurement, described in the following items 1), 2) and 3). The first two rely on having a calibration site of the highest quality. The third uses measurements in the near field that have less stringent requirements on the quality of the site. A high-quality site is one that yields agreement between measured and predicted SIL of resonant

dipoles of better than 0,3 dB from 30 MHz to 500 MHz, and better than 0,4 dB from 501 MHz to 1 000 MHz. The site meets the requirements of Annex A, but a larger ground plane size can be needed for frequencies below 60 MHz; also at 1 000 MHz a ground plane flatness less than ± 5 mm can be needed.

The antenna supports (e.g. masts) should be non-reflective, following the recommendations in A.2.3 of CISPR 16-1-6:2014. Measurement of SIL with many combinations of antenna heights and separations and at many frequencies can enable a conclusion to be drawn as to the proportion of the difference between measured and predicted results that is due to the quality of the site or to the antenna design. The difference between measurement and prediction is included in the uncertainty budget for the SIL. The uncertainty applied to the AF budget is half this amount.

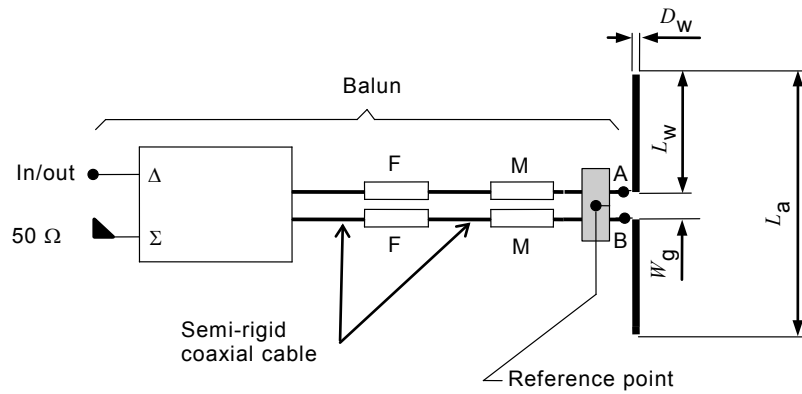
- 1) Method 1: Measure the SIL between a pair of identical test antennas on a high-quality ground plane site and compare to the predicted SIL that incorporates the measured balun S -parameters.
- 2) Method 2: Measure the antenna factor on a high-quality ground plane site using the TAM (see 7.4.1.2 of CISPR 16-1-6:2014). Compare the measured AF to the predicted AF (see C.2.5 for calculation). This method overcomes the occasional objection to Method 1 that “just because measured and theoretical SIL agree, does not prove that the test antennas, the measurements, and the model are correct.” Also see C.1.1 about confirmation of the NEC model by analytical equations.
- 3) Method 3: Measure the SIL between a pair of identical test antennas in their near field. A FAR may be used that meets the requirements of 5.3.2. Compare the measured SIL to the predicted SIL that incorporates the measured balun S -parameters. The smaller the separation between the antennas, the smaller will be the influence of reflections from the walls of the FAR and from the antenna mounts. The suggested separation distance is $\lambda/2\pi$, where λ is the wavelength at the resonant frequency of the wire element.

Measure over a frequency range several tens of MHz on either side of resonance; if a ripple in the frequency plot shows evidence of chamber reflections, repeat the measurement with a separation distance of $\lambda/10$. Determine the best result from the results at the two separations. The difference between measurement and prediction also applies to a prediction of the actual performance in the far field. If the ripple is uniform over several periods, thus indicating the cause to be due to mast or chamber reflections rather than antenna characteristics, a more accurate result can be obtained by smoothing the ripple.

- f) After a particular design of test antenna has been validated by one or more of these methods, the quality of the site is invested in that design, and such a high-quality site has fulfilled its purpose. The site can be useful to revalidate the test antenna at regular intervals as required by a laboratory quality system, but subsequent use of a smaller calibration site may be sufficient. The smaller site should have been proved to yield results of the desired uncertainty by validating it using test antennas in their original full working order.

It should be noted that the aforementioned balun is just an example of a useful balun; any type of balun may be used, provided that the requirements set out in 4.3.2 are met. In some cases, ferrite beads (F in Figure B.1) can be required around the semi-rigid cables to limit the induction of common-mode currents on the balun and the connected antenna cable.

The wire elements should have a length such that after attachment the test antenna meets the $L_a(f)$ requirement as set out in 4.3.2 b) [see C.1.1 for the calculation of $L_a(f)$]. Where the performance of the test antenna is calculated using NEC as in C.2, the element length is not critical; simply enter its physical dimensions. For Table C.1 it has been assumed that if $f < 180$ MHz then the diameter of the wire elements is 10 mm, thus giving the relatively long wire antennas good mechanical strength. For Table C.1 it has also been assumed that at frequencies $f \geq 180$ MHz an element diameter of 3 mm is sufficient. At frequencies $f < 60$ MHz, the elements may be telescopic, or a fixed length dipole antenna [see also NOTE 3 of 4.3.2 b)] may be used.



F = ferrite bead
M = matching pad

NOTE The balun uses a coaxial hybrid junction.

Figure B.1 – Example of a test antenna

B.3 Determination of balun properties

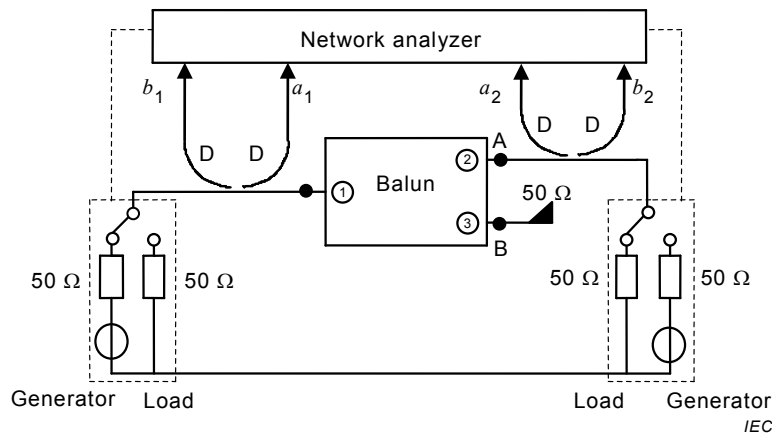
B.3.1 The ideal lossless balun

The ideal lossless balun is characterized by having signals at the A and B ports that are exactly equal in amplitude and exactly 180° out of phase, provided all three ports (see circled 1, 2, 3 in Figure B.2) are terminated in their characteristic impedance. Under the same condition, none of the ports will reflect an incoming signal, and an incoming signal at port 2 is not transferred to port 3 (and vice versa).

The basic set-up to measure S-parameters is given in Figure B.2. The unbalanced input/output port of the balun is numbered “1”, and the balanced ports are numbered “2” and “3”.

It is assumed that the characteristic impedance of each of these three ports equals 50 Ω [see 4.3.2 e)]. Compared to Figure B.1, the complete balun (coupler, cables, etc.) is represented in Figure B.2 by the single box labelled “Balun”. The Σ-port of the hybrid coupler in Figure B.1 is always terminated in its characteristic impedance.

STANDARDSDO.COM Click to view the full PDF of CISPR 16-1-5:2014 IEC



NOTE 1 All notations are defined in B.3.1.

NOTE 2 In this figure, the generator and load are interchanged by putting both switches in their alternative position.

Figure B.2 – Diagram of the measurement of S_{11} and S_{12} , and of S_{22} and S_{21} , when generator and load are interchanged

The S -parameters give the relation between the incoming signals, represented in Figure B.2 by a_1 or a_2 , and the scattered signals represented by b_1 and b_2 . These signals are measured by the analyzer via directional couplers (labeled as D). The parameters $S_{11} = b_1/a_1$ and $S_{21} = b_2/a_1$ (under the condition $a_2 = 0$) are measured with port 3 terminated in 50Ω . Interchanging the generator and load (by changing the position of both switches shown in the schematic) results in the measurement of $S_{22} = b_2/a_2$ and $S_{12} = b_1/a_2$ (under the condition $a_1 = 0$). Similarly, terminating port 2 with the 50Ω load then measuring between ports 1 and 3 yields S_{11} and S_{13} , and S_{31} and S_{33} . Finally, terminating port 1 with the 50Ω load and measuring between ports 2 and 3, yields (again) S_{22} and S_{33} , and S_{23} and S_{32} .

The S -matrix for the ideal, lossless balun is given by Equation (B.1):

$$\begin{pmatrix} S_{11} & S_{12} & S_{13} \\ S_{21} & S_{22} & S_{23} \\ S_{31} & S_{32} & S_{33} \end{pmatrix} = \frac{1}{\sqrt{2}} \begin{pmatrix} 0 & 1 & -1 \\ 1 & 0 & 0 \\ -1 & 0 & 0 \end{pmatrix} \quad (\text{B.1})$$

In this S -matrix, $S_{11} = S_{22} = S_{33} = 0$ because there is no reflection at the ports. Because the balance is perfect (equal absolute values equal to 1, because this balun is lossless) and the phase shift equals exactly 180° (indicated by the minus sign), then $S_{12} = S_{21} = 1/\sqrt{2}$ and $S_{13} = S_{31} = -1/\sqrt{2}$. Finally, $S_{23} = S_{32} = 0$, because the isolation between port 2 and port 3 is perfect.

B.3.2 Relations between balun properties and S -parameters

The S -matrix can be transformed into a so-called impedance matrix, which gives a relationship between the input and output currents and voltages of the balun. Terminating port 1 in the characteristic impedance and considering ports 2 and 3 only, it can be shown that (see [15]):

$$\begin{pmatrix} Z_{22} & Z_{23} \\ Z_{32} & Z_{33} \end{pmatrix} = \frac{Z_0}{(1-S_{22})(1-S_{33}) - S_{23}S_{32}} \times \begin{pmatrix} [(1+S_{22})(1-S_{33}) + S_{23}S_{32}] & 2S_{23} \\ 2S_{32} & [(1-S_{22})(1+S_{33}) + S_{23}S_{32}] \end{pmatrix} \quad (\text{B.2})$$

where Z_0 is the measurement impedance, typically 50 Ω .

$$Z_{AB} = \frac{1 - S_{22}S_{33} + S_{23}S_{32} - S_{33} + S_{22}}{(1 - S_{22})(1 - S_{33}) - S_{23}S_{32}} 100 = R_{AB} + jX_{AB} \quad (\Omega) \quad (\text{B.3})$$

The measured value of Z_{AB} is needed in the calculation of A_{iC} (see Annex C); the impedance Z_{CD} for the other balun needed in that calculation is determined similarly.

The associated VSWR complies with 4.3.2 e) 1) and Table 2 if:

$$\frac{1 + |\Gamma|}{1 - |\Gamma|} < 1,10, \text{ where } \Gamma = \frac{Z_{AB} - 100}{Z_{AB} + 100} \quad (\text{B.4})$$

NOTE If the hybrid coupler itself does not comply with the requirement formulated in Equation (B.4), matched attenuators (M in Figure B.1) that have a return loss of > 32 dB can lower the VSWR.

The balance and phase shift of an actual balun is verified by considering:

$$\frac{S_{12}}{S_{13}} = \frac{S_{21}}{S_{31}} = r_b e^{j\phi_b} \quad (\text{B.5})$$

The amplitude balance, r_b , complies with 4.3.2 e) 2) and Table 2 if

$$0,966 < r_b < 1,035 \quad (\text{B.6})$$

and the phase balance complies with 4.3.2 e) 3) and Table 2 if

$$178^\circ < \left| \frac{180 \phi_b}{\pi} \right| < 182^\circ \quad (\text{B.7})$$

The isolation of an actual balun is verified by considering the actual value of S_{23} and S_{32} . It complies with NOTE 4 of 4.3.2 e) if

$$|S_{23}| = |S_{32}| < 0,05 \quad (\text{B.8})$$

The possible loss in the actual balun is accounted for during measurement of the reference voltage V_r in the CALTS validation procedure (see 4.4.4.2). For the balun used in the example and depicted in Figure B.1, the greater part of the loss stems from the 3 dB matching pads.

B.3.3 Insertion loss measurements

B.3.3.1 General

The balun specifications set in 4.3.2 e) 2) and 4.3.2 e) 3) can also be verified by performing the insertion loss measurements depicted in Figure B.3 and Figure B.4. From the results, the so-called balun "unbalance rejection" is determined.

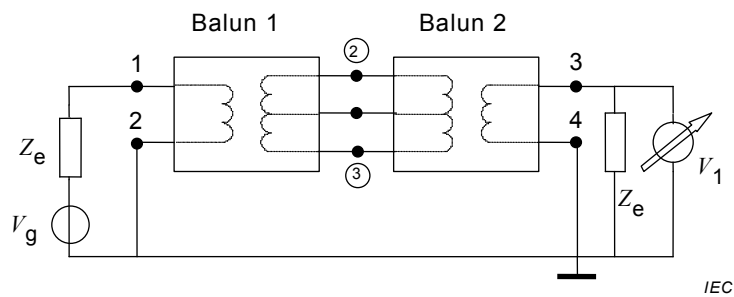


Figure B.3 – Schematic diagram for determination of the insertion loss $A_1(f)$

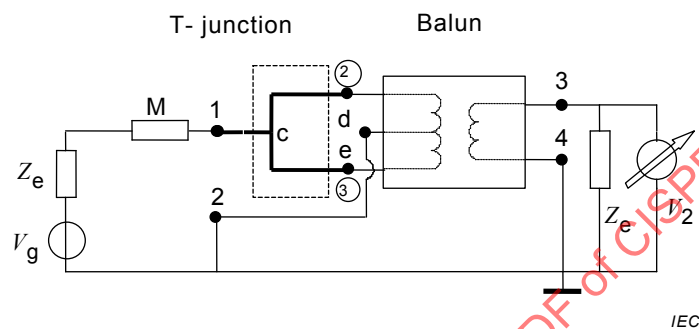


Figure B.4 – Schematic diagram for determination of the insertion loss $A_2(f)$

These measurements consist of determining the insertion loss $A_1(f)$ of two identical baluns connected head-to-head, as in 4.4.4.2.1, and the determination of the insertion loss $A_2(f)$ for a single balun when the balanced ports 2 and 3 are connected in parallel (see also Figure B.4). Assuming that A_1 stems from equal contributions of the two baluns, the balun unbalance rejection, also referred to as the common-mode rejection, expressed in dB, is given by the equation:

$$a_{\text{unbal}}(f) = A_2(f) - \frac{A_1(f)}{2} \quad (\text{dB}) \tag{B.9}$$

It can be shown that the balun complies with the aforementioned subclauses and the associated numerical values of the tolerances as given in Table 2 when $a_{\text{unbal}} > 26$ dB.

B.3.3.2 Procedure

B.3.3.2.1 In the first insertion loss measurement, firstly the reference voltage $V_{r1}(f)$ is determined as a function of frequency over the frequency band specified for the balun. The measuring circuit is that of Figure B.3 in the absence of the two baluns, but with a short circuit between the connection points 1 and 3, and 2 and 4.

B.3.3.2.2 Next, the voltage $V_1(f)$ is measured after insertion of the two baluns connected head-to-head (see Figure B.3).

B.3.3.2.3 Then $A_1(f)$ expressed in dB is given by the following equation:

$$A_1(f) = 20 \lg \left[\frac{V_1(f)}{V_{r1}(f)} \right] \quad (\text{dB}) \tag{B.10}$$

B.3.3.2.4 In the second insertion loss measurement, first the reference voltage $V_{r2}(f)$ is determined as a function of frequency over the frequency band specified for the balun. The measuring circuit is that of Figure B.4 in the absence of the T-junction and the balun, but with a short circuit between the connection points 1 and 3, and 2 and 4.

B.3.3.2.5 Next, the voltage $V_{2a}(f)$ is measured after insertion of the T-junction and the balun to be verified (see Figure B.4). In this measurement, the ports 2 and 3 (see also Figure B.2) are connected in parallel via a coaxial symmetric T-junction constructed of semi-rigid cables and having the same electrical length of the parts c-d and c-e of the T-junction (full mechanical symmetry). In this measurement, d is connected to port 2 and e to port 3. The 6 dB matched attenuator pad, indicated in Figure B.4 by M, has been added, to avoid standing wave effects.

B.3.3.2.6 To avoid errors caused by parasitic effects, the latter measurement is repeated after reversing the connection between the balun and T-junction; i.e. d is connected to port 3 and e to port 2. This measurement yields the voltage $V_{2b}(f)$.

B.3.3.2.7 Then $A_2(f)$ expressed in dB is given by the following equation:

$$A_2(f) = 20 \lg \left[\frac{V_{r2}}{\max\{V_{2a}(f), V_{2b}(f)\}} \right] \quad (\text{B.11})$$

For the ideal balun $A_2(f) = \infty$ dB, at all frequencies.

B.3.3.2.8 Instead of the T-junction plus a 6 dB attenuator, a calibrated 6 dB power divider may be used. In this case, the attenuation caused by the power divider should be taken into account in the calculation of the balun unbalance rejection.

Annex C (informative)

Antenna and SIL theory

C.1 Analytical relations

C.1.1 General

This subclause gives an analytical approach to the calculation of the resonant total length $L_a(f)$ of the wire antenna (C.1.2) and the SIL A_{iC} (C.1.3). The model takes into account the mutual coupling between the transmit antenna, the receive antenna, and their images in the reflecting plane. It also accounts for the actual field distribution along the receive antenna; in other words it is not assumed that the field arriving at the receive antenna is a plane wave. The only assumption made in this approach is that the current distribution over the wire antenna is sinusoidal.

A value of A_{iC} calculated from the analytical relations is within $\pm 0,01$ dB of the value of A_{iC} obtained from MoM computations provided the value of L_a of a sufficiently thin wire antenna is used in the analytical approach. In the context of this standard, sufficiently thin means that the radius R_{we} of the wire antenna satisfies the following condition [16]:

$$\alpha = 2 \ln \left(\frac{L_a}{R_{we}} \right), \text{ with } \alpha \geq 30 \quad (\text{C.1})$$

For a half-wavelength dipole antenna ($L_a = \lambda_0/2$) this condition is given by the following equation:

$$R_{we} = \frac{\lambda_0}{2\sqrt{e^\alpha}} \text{ with } \alpha \geq 30 \quad (\text{C.2})$$

For the accurate calculation of SIL in the following subclauses, a small radius according to Equation (C.1) is used, e.g. for $\alpha = 30$ the ratio of radius to resonant length is 3×10^{-7} ; however, physical dipoles have a larger radius. To calculate the resonant length of physical dipoles, with example radii given in C.1.4, the physical radius is inserted into Equation (C.3), and the length L_a is solved for when $X_a = 0$ [see also 4.3.2 b)].

The computer program in Annex D, with executable version available via e.g. [24], gives the dipole resonant length based on the frequency and the dipole radius entered. The SIL calculated for the thin dipole will apply with an uncertainty contribution of less than 0,1 dB relative to the physical dipole at the resonant frequency, provided the physical dipole radius-to-length ratio is less than 0,015, and the wire diameter is no more than the segment length.

Numerical examples, including measurement uncertainty considerations, are given in C.1.4. A more precise resonant length of the physical dipole, with less error, can be calculated by NEC [22] for the condition $X_a = 0$.

Alternatively the A_{iC} values may be calculated by MoM modelling as described in C.2. Numerical modelling is more versatile and gives more accurate results outside the resonant frequency than the analytical equations presented in this subclause. The agreement of the two methods at resonance is better than 0,05 dB.

C.1.2 Total length of the test antenna

By definition, the total length $L_a(f)$ of the test antenna (i.e. the resonant dipole at the frequency f), follows when solving Equation (C.3).

$$X_a(f, R_{we}) = 0 \tag{C.3}$$

where

$X_a(f, R_{we})$ is the imaginary part of the impedance of the dipole radiating into an unbounded medium, i.e. in free space;

R_{we} is the radius of a wire element, assumed to be a constant along its length (non-telescopic elements), and to be much smaller than L_a .

The feed-point gap, W_g , is assumed to be infinitely small. The imaginary part of the impedance, X_a , is given by the Equation (C.4) (see e.g. [17]).

$$X_a = \frac{\eta}{4\pi} [2Si(kL_a) + \cos(kL_a)\{2Si(kL_a) - Si(2kL_a)\} - \sin(kL_a)\{2Ci(kL_a) - Ci(2kL_a) - Ci(2kR_{we}^2 / L_a)\}] \times \sin^{-2}\left(\frac{kL_a}{2}\right) \tag{C.4}$$

where

η is 377 Ω ;

k is $2\pi/\lambda_0$;

λ_0 is the wavelength in free space;

$Si(x)$, $Ci(x)$ are given by the following Equations (C.5) and (C.6).

$$Si(x) = \int_0^x \frac{\sin(\tau)}{\tau} d\tau \tag{C.5}$$

$$Ci(x) = \int_x^\infty \frac{\cos(\tau)}{\tau} d\tau \tag{C.6}$$

$Si(x)$ and $Ci(x)$ may be calculated sufficiently accurately from (see [18]):

$$Si(x) = \begin{cases} \frac{\pi}{2} - f(x)\cos x - g(x)\sin x & (x \geq 1) \\ \sum_{n=0}^{\infty} \frac{(-1)^n x^{2n+1}}{(2n+1)(2n+1)!} & (x < 1) \end{cases} \tag{C.7}$$

$$Ci(x) = \begin{cases} f(x)\sin x - g(x)\cos x & (x \geq 1) \\ \gamma + \ln x + \sum_{n=1}^{\infty} \frac{(-1)^n x^{2n}}{2n(2n)!} & (x < 1) \end{cases} \tag{C.8}$$

$$f(x) = \frac{1}{x} \left(\frac{x^4 + a_1 x^2 + a_2}{x^4 + b_1 x^2 + b_2} \right), \quad g(x) = \frac{1}{x^2} \left(\frac{x^4 + c_1 x^2 + c_2}{x^4 + d_1 x^2 + d_2} \right) \quad (\text{C.9})$$

with

$$\begin{aligned} a_1 &= 7,241\ 163 & b_1 &= 9,068\ 580 & c_1 &= 7,547\ 478 & d_1 &= 12,723\ 684 \\ a_2 &= 2,463\ 936 & b_2 &= 7,157\ 433 & c_2 &= 1,564\ 072 & d_2 &= 15,723\ 606 \end{aligned}$$

In the preceding, γ is the Euler-Mascheroni constant ($\sim 0,5772$). The resulting $L_a(f)$ data in Table C.1 have been obtained from solving Equation (C.3), using Equations (C.4) to (C.9).

C.1.3 Theoretical SIL

C.1.3.1 Two-port network model

The theoretical SIL, $A_{i,c}$, is calculated by using a two-port network model [19] (see Figure C.1). The RF signal generator supplies a signal to the feed terminals A and B at the balun of the transmit antenna. The signal arriving at the feed terminals C and D of the receive antenna is measured across the receiver impedance Z_r . The cables and baluns are represented by T-networks.

When the reference voltages $V_{r1}(f)$ and $V_{r2}(f)$ (see 4.4.4.2.1 and 4.4.4.2.3) are measured, the feed terminals A and C are interconnected by a short conductor having a negligible impedance. Similarly, B and D are interconnected. When measuring $V_s(f)$ (see 4.4.4.2.2), with the wire antennas connected to the feed terminals and the test antennas in their specified positions at a test site, the influence of the site on the signal transfer is represented by a T-network with ports AB and CD, as shown in Figure C.1.

The circuit of Figure C.1 can be simplified to that of Figure C.2, in which Z_{AB} and Z_{CD} are the measured balanced-port impedances (see Annex B). Z_{AB} in Figure C.2 is the impedance presented to the dipole elements by the balun. From the circuit in Figure C.2, it follows that when measuring the reference voltage V_r (so that $Z_1 = Z_2 = 0$ and $Z_3 = \infty$):

$$V_{CD} = V_{CD,r} = \frac{Z_{CD}}{Z_{AB} + Z_{CD}} V_t \quad (\text{C.10})$$

It also follows that when measuring the “site” response voltage V_s :

$$V_{CD} = V_{CD,s} = \frac{Z_{CD} Z_3}{(Z_{AB} + Z_1 + Z_3)(Z_{CD} + Z_2 + Z_3) - Z_3^2} V_t \quad (\text{C.11})$$

then the calculated SIL $A_{i,c}$ is given by:

$$A_{i,c} = \frac{V_{CD,r}}{V_{CD,s}} = \frac{(Z_{AB} + Z_1 + Z_3)(Z_{CD} + Z_2 + Z_3) - Z_3^2}{Z_3(Z_{AB} + Z_{CD})} \quad (\text{C.12})$$

The next step is to relate the impedances Z_1 , Z_2 , and Z_3 to the actual set-up as depicted in Figure C.3, i.e. for the two test antennas above the reflecting (ground) plane.

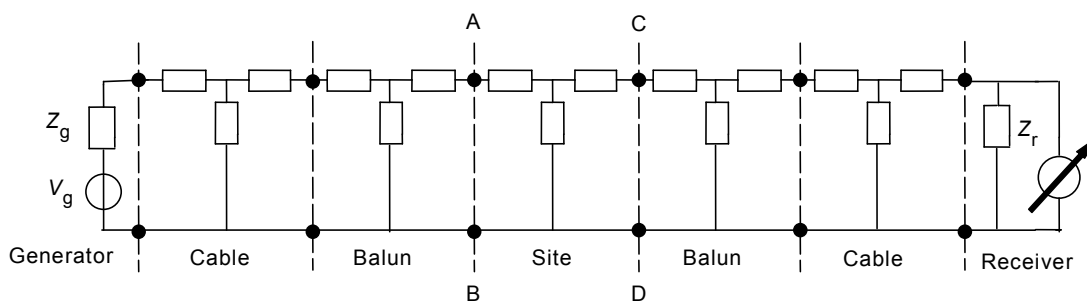


Figure C.1 – Network model for A_{iC} calculations

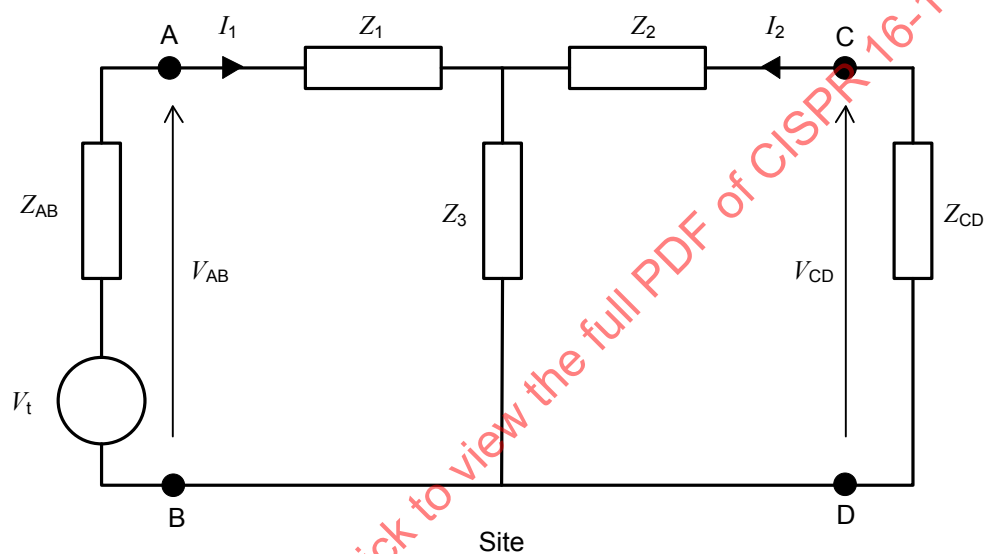


Figure C.2 – Equivalent circuit to the network in Figure C.1

C.1.3.2 Test antennas above reflecting plane

The signal transfer between the transmit port (port 1, feed terminals A and B) and the receive port (port 2, feed terminals C and D) is influenced by the various couplings between the antennas and their images. In Figure C.3 this is indicated by the transfer impedances Z_{nm} , where n and m are each numbers 1 to 4 and $n \neq m$.

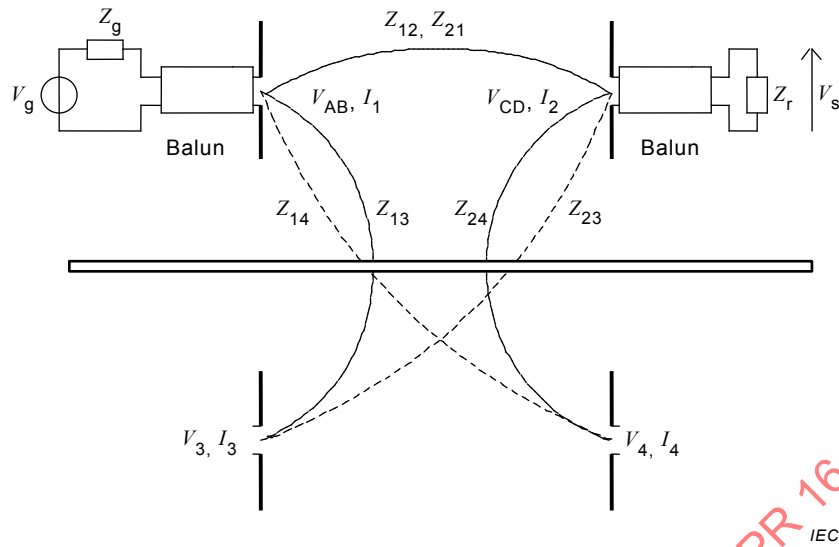


Figure C.3 – Definition of the mutual couplings, feed-terminal voltages and antenna currents of the antennas above the reflecting plane and their images

The terminal voltages V_{AB} and V_{CD} are formally related to the antenna currents I_1 through I_4 of the four antennas in Figure C.3 via:

$$\begin{aligned} V_{AB} &= Z_{11}I_1 + Z_{12}I_2 + Z_{13}I_3 + Z_{14}I_4 \\ V_{CD} &= Z_{21}I_1 + Z_{22}I_2 + Z_{23}I_3 + Z_{24}I_4 \end{aligned} \tag{C.13}$$

For the theoretical reflecting plane, and in the case of horizontally polarized antennas which are aligned parallel to each other, then $I_3 = \rho I_1$ and $I_4 = \rho I_2$, where $\rho = re^{i\phi}$ is the complex reflection coefficient of the conducting plane. In the ideal case, $\rho = -1$, for the present configuration. Moreover, because of reciprocity, $Z_{12} = Z_{21}$ and $Z_{23} = Z_{14}$. Thus Equation (C.13) reduces to the following:

$$\begin{aligned} V_{AB} &= (Z_{11} + \rho Z_{13})I_1 + (Z_{12} + \rho Z_{14})I_2 \\ V_{CD} &= (Z_{12} + \rho Z_{14})I_1 + (Z_{22} + \rho Z_{24})I_2 \end{aligned} \tag{C.14}$$

From the circuit in Figure C.2, it follows that:

$$\begin{aligned} V_{AB} &= (Z_1 + Z_3)I_1 + Z_3I_2 \\ V_{CD} &= Z_3I_1 + (Z_2 + Z_3)I_2 \end{aligned} \tag{C.15}$$

and comparison with Equation (C.14) yields:

$$\begin{aligned} Z_1 + Z_3 &= Z_{11} + \rho Z_{13}, \\ Z_2 + Z_3 &= Z_{22} + \rho Z_{24}, \text{ and} \\ Z_3 &= Z_{12} + \rho Z_{14} \end{aligned} \tag{C.16}$$

Thus Equation (C.12) can be rewritten as:

$$A_i = \frac{(Z_{AB} + Z_{11} + \rho Z_{13})(Z_{CD} + Z_{22} + \rho Z_{24}) - (Z_{12} + \rho Z_{14})^2}{(Z_{12} + \rho Z_{14})(Z_{AB} + Z_{CD})} \quad (C.17)$$

From Equation (C.13) it follows that Z_{11} and Z_{22} are the input impedances of the wire antenna radiating into free space, i.e. in absence of the reflecting plane. The imaginary parts of these impedances are calculated from $X_{11} = X_{22} = X_a$ as given by Equation (C.4), and the real parts $R_{11} = R_{22} = R_a$ from the following:

$$R_a = \frac{\eta}{2\pi} \{ \gamma + \ln(kL_a) - Ci(kL_a) + \frac{1}{2} \sin(kL_a) \times [Si(2kL_a) - 2Si(kL_a)] + \frac{1}{2} \cos(kL_a) \times \left[\gamma + \ln \frac{kL_a}{2} + Ci(2kL_a) - 2Ci(kL_a) \right] \} \times \sin^{-2} \left(\frac{kL_a}{2} \right) \quad (C.18)$$

In Equation (C.18), γ is the Euler-Mascheroni constant ($\sim 0,577 2$). The mutual impedances Z_{12} , Z_{13} , Z_{14} , and Z_{24} are calculated with the aid of the Lorentz reciprocity theorem ([16] and [17]). In this calculation, the actual field along the wire antenna is taken into account, thus eliminating the need to assume a plane wave arriving at the receive antenna. The only assumption made is that the current distribution on the wire antennas is sinusoidal, which is valid if $L_a(f) \approx \lambda_0/2$, and if R_{we} satisfies the condition given in Equation (C.2).

If $Z_{nm} = (R_{nm} + jX_{nm})$ ($n = 1, \dots, 4, m = 1, \dots, 4, n \neq m$), the real part is given by ([16]):

$$R_{nm} = \frac{\eta}{2\pi} \{ 2[2Ci(kd_{nm}) - Ci(ks_3) - Ci(ks_4)] + \cos(kL_a) \times [2Ci(kd_{nm}) + Ci(ks_1) + Ci(ks_2) - 2Ci(ks_3) - 2Ci(ks_4)] + \sin(kL_a) \times [Si(ks_1) - Si(ks_2) - 2Si(ks_3) + 2Si(ks_4)] \} \times \sin^{-2} \left(\frac{kL_a}{2} \right) \quad (C.19)$$

and the imaginary part by:

$$X_{nm} = \frac{-\eta}{4\pi} \{ 2[2Si(kd_{nm}) - Si(ks_3) - Si(ks_4)] + \cos(kL_a) \times [2Si(kd_{nm}) + Si(ks_1) + Si(ks_2) - Si(ks_3) - 2Si(ks_4)] - \sin(kL_a) \times [Ci(ks_1) - Ci(ks_2) - 2Ci(ks_3) + 2Ci(ks_4)] \} \times \sin^{-2} \left(\frac{kL_a}{2} \right) \quad (C.20)$$

where d_{nm} is the distance between the centres of the antennas n and m , and:

$$\begin{aligned} s_1 &= \sqrt{d_{nm}^2 + L_a^2} + L_a \\ s_2 &= \sqrt{d_{nm}^2 + L_a^2} - L_a \\ s_3 &= \sqrt{d_{nm}^2 + \left(\frac{L_a}{2}\right)^2} + \frac{L_a}{2} \\ s_4 &= \sqrt{d_{nm}^2 + \left(\frac{L_a}{2}\right)^2} - \frac{L_a}{2} \end{aligned} \quad (C.21)$$

Thus A_{iC} as needed in 4.5.3 is calculated from Equation (C.17), because all impedances in that equation are known; i.e. Z_{AB} and Z_{CD} from experimental data (see Annex B), and the other impedances as calculated from Equations (C.4) and (C.18) to (C.21). The same equations are used to calculate $A_{iC}(h_r)$ at a given frequency, to determine $h_{r,max}(f_s)$ as needed in A.4, and to calculate the measurement uncertainties ΔA_t and $\Delta h_{r,max}$ as needed in 4.5.2.2 and A.4.

C.1.4 Calculation example

C.1.4.1 General

Results of a numerical example are given in: Table C.1 with L_a and A_{iC} calculations, Table C.2 with ΔA_t calculations, Table C.3 with h_{rC} and Δh_{rC} calculations, and Table C.4 with f_c and Δf_t calculations. In all calculations, the height of the receive antenna and that of the transmit antenna, the horizontal distance between the centres of the antennas, and the frequencies, have the values specified in 4.4. When performing measurement uncertainty calculations, the tolerances given in Table 2 have been used.

In the range $30 \text{ MHz} \leq f < 180 \text{ MHz}$, it has been assumed that the radius of the wire antenna $R_{we} = 5,0 \text{ mm}$, and $R_{we} = 1,5 \text{ mm}$ for $180 \text{ MHz} \leq f \leq 1000 \text{ MHz}$.

C.1.4.2 L_a and A_{iC} calculations (Table C.1)

The antenna length $L_a(f)$ has been calculated from Equation (C.3). The value of $A_{iC}(f)$ has been calculated from Equations (C.17) to (C.21), assuming ideal baluns with balanced port impedances having the preferred value of $(100 + j0) \Omega$, and assuming an ideal reflecting plane, i.e. $\rho = -1$.

Table C.1 – Example numerical (analytical) calculation of L_a , A_{iC} (see C.1.4.2)

f MHz	h_r m	R_{we} mm	L_a m	A_{iC} dB	f MHz	h_r m	R_{we} mm	L_a m	A_{iC} dB
30	4,00	5,00	4,803	21,03	160	2,00	5,00	0,885	26,44
35	4,00	5,00	4,112	20,95	180	2,00	1,50	0,797	27,52
40	4,00	5,00	3,594	20,60	200	2,00	1,50	0,716	29,37
45	4,00	5,00	3,192	20,70	250	1,50	1,50	0,572	30,43
50	4,00	5,00	2,870	21,12	300	1,50	1,50	0,476	32,47
60	4,00	5,00	2,388	22,13	400	1,20	1,50	0,355	34,90
70	4,00	5,00	2,043	21,76	500	2,30	1,50	0,283	37,02
80	4,00	5,00	1,785	20,93	600	2,00	1,50	0,236	38,35
90	4,00	5,00	1,585	21,49	700	1,70	1,50	0,201	39,59
100	4,00	5,00	1,425	22,97	800	1,50	1,50	0,176	40,91
120	4,00	5,00	1,185	25,16	900	1,30	1,50	0,156	41,84
140	2,00	5,00	1,013	27,20	1000	1,20	1,50	0,140	42,71

C.1.4.3 ΔA_t calculations (Table C.2)

The measurement uncertainty ΔA_t (4.5.2.2) with $k = 2$ (95 % level of confidence) is calculated from the following (see [20]):

$$\Delta A_t = \frac{2}{\sqrt{3}} \sqrt{\sum_{i=1}^9 \Delta A_{iC}^2(i)} \quad (C.22)$$

assuming a rectangular probability distribution of the variables $\Delta A_{iC}(i)$, and accounting for the uncertainties in the $p = 9$ variables: $h_r, h_t, d, f, Z_{AB}, Z_{CD}, L_a, A_b$ and ϕ_b (see also Table 2).

For the first six variables, ΔA_{iC} is calculated from

$$\Delta A_{iC}(i) = \max\left\{ \left| A_{iC} - A_{iC}(p_i \pm \Delta p_i) \right| \right\} \quad (i = 1, 2, \dots, 6) \quad (C.23)$$

where

A_{iC} is the nominal value of SIL as calculated in C.1.4.2;
 $A_{iC}(p_i + \Delta p_i)$ and $A_{iC}(p_i - \Delta p_i)$ are calculated SIL for the variable p plus the tolerance Δp , and p minus the tolerance Δp .

Results of ΔA_{iC} caused by $\Delta h_r, \Delta h_t, \Delta d$ and Δf specified in Table 2 are given in columns 3 to 6 of Table C.2.

NOTE When calculating the effect of Δf , the antenna length L_a remains a constant equal to L_a at the nominal frequency.

For the impedances Z_{AB} and Z_{CD} , Table 2 specifies a maximum VSWR of 1,10. In the present numerical example, this means that both impedances have a circle (centre at $p = 100 + j0 \Omega$, radius $\Delta p = 9,5 \Omega$) as a boundary in the impedance plane. Investigations show that it is sufficient to only perform the calculations for $p = (100 \pm \Delta p + j0)$ and $p = (100 \pm j\Delta p)$. Results of calculations are given in columns 7 and 8. Note that the ΔA_{iC} values given in Table C.2 columns 7 and 8 are equal only when $h_r = h_t$.

ΔA_{iC} associated with L_a, A_b and ϕ_b can only be estimated via numerical modelling, such as discussed in C.2. Using these techniques, it is found that $\Delta A_{iC}(L_a) < 0,03$ dB, and that $\Delta A_{iC}(A_b, \phi_b) < 0,03$ dB.

Table C.2 column 9 gives the root-sum-square (RSS) value $\Delta A_\Sigma = \left[\sum \Delta A_{iC}^2(i) \right]^{1/2}$ of the six values ΔA_{iC} in the preceding columns. The $k = 2$ (95 % level of confidence) values in column 10 follow from multiplying the column 9 data by $2/\sqrt{3}$ [see Equation (C.22)]. The $k = 2$ (95 % level of confidence) values of ΔA_t follow from:

$$\Delta A_t(k = 2) = \frac{2}{\sqrt{3}} \sqrt{\left\{ \sum_{i=1}^6 \Delta A_{iC}^2(i) \right\} + \Delta A_{iC}^2(L_a) + \Delta A_{iC}^2(A_b, \phi_b)} \quad (C.24)$$

Assuming $\Delta A_{iC}(L_a) = 0,03$ dB, and $\Delta A_{iC}(A_b, \phi_b) = 0,03$ dB, the ΔA_t values given in column 11 follow. In this example, the maximum value equals $\Delta A_t = 0,19$ dB (at 80 MHz). This is why a value of $\Delta A_t = 0,20$ dB is mentioned in 4.5.2.2.

Table C.2 – Example numerical (analytical) calculation of ΔA_t (see C.1.4.3)

Frequency MHz	$A_{i,c}$ dB	$\Delta A_{i,c}$ (Δh_r) dB	$\Delta A_{i,c}$ (Δh_t) dB	$\Delta A_{i,c}$ (Δd) dB	$\Delta A_{i,c}$ (Δf) dB	$\Delta A_{i,c}$ (ΔZ_{AB}) dB	$\Delta A_{i,c}$ (ΔZ_{CD}) dB	RSS ΔA_{Σ} dB	$k = 2$ ΔA_{Σ} dB	$k = 2$ ΔA_t dB
30	21,03	0,023	0,018	0,056	0,031	0,110	0,026	0,13	0,15	0,16
35	20,95	0,028	0,020	0,051	0,007	0,080	0,057	0,12	0,13	0,14
40	20,60	0,025	0,024	0,054	0,005	0,059	0,105	0,14	0,16	0,16
45	20,70	0,013	0,028	0,055	0,013	0,036	0,121	0,14	0,16	0,17
50	21,12	0,001	0,033	0,048	0,016	0,010	0,106	0,12	0,14	0,15
60	22,13	0,002	0,044	0,051	0,005	0,027	0,049	0,09	0,10	0,11
70	21,76	0,019	0,050	0,050	0,038	0,061	0,058	0,12	0,14	0,14
80	20,93	0,014	0,041	0,038	0,039	0,104	0,098	0,16	0,18	0,19
90	21,49	0,011	0,012	0,035	0,011	0,121	0,084	0,15	0,18	0,18
100	22,97	0,007	0,021	0,036	0,027	0,106	0,056	0,13	0,15	0,15
120	25,16	0,008	0,039	0,012	0,018	0,051	0,092	0,12	0,13	0,14
140	27,20	0,043	0,043	0,047	0,029	0,055	0,055	0,11	0,13	0,14
160	26,44	0,030	0,032	0,046	0,023	0,097	0,097	0,15	0,18	0,18
180	27,52	0,021	0,021	0,039	0,029	0,086	0,086	0,13	0,16	0,16
200	29,37	0,015	0,015	0,029	0,017	0,057	0,057	0,09	0,10	0,11
250	30,43	0,035	0,019	0,038	0,027	0,089	0,072	0,13	0,15	0,15
300	32,47	0,010	0,008	0,016	0,020	0,075	0,076	0,11	0,13	0,13
400	34,90	0,042	0,054	0,008	0,016	0,084	0,092	0,14	0,16	0,17
500	37,02	0,005	0,006	0,047	0,009	0,068	0,069	0,11	0,12	0,13
600	38,35	0,000	0,004	0,013	0,012	0,075	0,075	0,11	0,12	0,13
700	39,59	0,002	0,046	0,017	0,008	0,080	0,072	0,12	0,14	0,14
800	40,91	0,004	0,051	0,008	0,009	0,071	0,075	0,12	0,13	0,14
900	41,84	0,005	0,018	0,025	0,009	0,075	0,068	0,11	0,12	0,13
1000	42,71	0,011	0,062	0,004	0,010	0,079	0,075	0,13	0,15	0,15
Maximum ΔA in dB		0,043	0,062	0,056	0,039	0,121	0,121	0,16	0,18	0,19

NOTE The last row in this table gives the maximum value in each column. Three digits behind the decimal sign in columns 3 to 8 have no physical significance, and are only given for the comparison of calculated results.

C.1.4.4 h_{rc} and Δh_{rt} calculations (Table C.3)

This subclause considers $h_{r,max}(f_s)$ as specified in A.4.2. The value is found by a procedure that searches for the first sharp maximum in SIL for $h_r > 1$ m. Care should be taken that a sharp maximum is found, i.e. a maximum associated with a cancelling of the direct and indirect waves at the receive antenna. Results of h_{rc} (see A.4) at the frequencies f_s specified in A.4.2.2 are given in Table C.3.

Also given in Table C.3 are the results of measurement uncertainty calculations, yielding $\Delta h_{r,max}$, similar to those given in C.1.4.3, using the tolerances given in Table 2. In the case of $h_{r,max}$, only the tolerances Δh_t , Δd and Δf play a noticeable part. The maximum value of Δh_{rt} ($k = 2$) found is 0,02 m. This is why a value of 0,025 m is mentioned in A.4.2.4.

Table C.3 – Example numerical (analytical) calculation of h_{rc} and Δh_{rt}

Frequency MHz	h_{rc} m	Δh_{rc} (Δh_t) m	Δh_{rc} (Δd) m	Δh_{rc} (Δf) m	RSS $\Delta h_{rc\Sigma}$ m	$k = 2$ Δh_{rt} m
300	2,630	0,014	0,010	0,004	0,017	0,020
600	1,284	0,006	0,005	0,005	0,010	0,011
900	1,723	0,008	0,009	0,002	0,013	0,015
Maximum	-	0,014	0,010	0,005	0,017	0,020

C.1.4.5 f_c and Δf_t calculations (Table C.4)

This subclause considers $f_{\max}(h_r, f_s)$ as specified in A.4.3. The value is found by a procedure which searches for the maximum in SIL for the specified combinations $\{h_r, f_s\}$. Care should be taken that a sharp maximum is found, i.e. a maximum associated with a cancelling of the direct and indirect waves at the receive antenna. Results of f_c (see A.4.3.2) at the combinations specified in A.4.3 are given in Table C.4.

Also given in Table C.4 are the results of measurement uncertainty calculations, yielding $\Delta f_t/f_c$, similar to those given in C.1.4.3, using the tolerances given in Table 2. In the case of f_{\max} , only the tolerances Δh_r , Δh_t and Δd play a noticeable part. The maximum value of Δf_t ($k = 2$) found is $0,012 f_c$. This is why a value of $0,015 f_c$ is mentioned in A.4.3.4.

Table C.4 – Example numerical (analytical) calculation of f_c and Δf_t

Frequency/ height MHz/m	f_c MHz	$\Delta f_c/f_c$ (Δh_r)	$\Delta f_c/f_c$ (Δh_t)	$\Delta f_c/f_c$ (Δd)	RSS $\Delta f_{c\Sigma}/f_c$	$k = 2$ $\Delta f_t/f_c$
300/2,65	297,4	0,004	0,006	0,005	0,009	0,010
600/1,30	592,6	0,008	0,005	0,004	0,010	0,012
900/1,70	912,1	0,006	0,005	0,004	0,009	0,010
Maximum	-	0,008	0,006	0,005	0,010	0,012

C.2 Computations by the MoM

C.2.1 General

This subclause gives an alternative approach to C.1, with the additional facility to calculate the antenna factor. Another description of some of the material in C.2 is also given in B.3. This approach of this subclause is based on the MoM. The software most used for wire antennas is NEC2 [22], which is available both commercially and as freeware. One example also is the wire antenna modelling software, CAP2010 [24], which enables SIL and AF to be calculated in free space and above a ground plane. CAP2010 is distinguished from other NEC freeware by the utility to include the complex S -parameters of the antenna baluns, which is crucial to accuracy in broadband results [23], [25].

In the MoM, the antennas are represented by straight wires which are divided into segments. To achieve accurate results it is important that the segments are neither too long nor too short compared to the wavelength, and also that the length of the segment is greater than its diameter; rules are given in operating instructions accompanying the software. Using 31 segments for a resonant length dipole and a dipole radius that meets the condition of Equation (C.1), the agreement in A_{ic} between analytical calculations in C.1.3 and the MoM computations in C.2 is less than 0,05 dB [23] (see C.1.1).

Details for how to calculate A_{iC} are given in C.2.4.1. Agreements between measured and theoretical SIL results of less than 0,6 dB over a broad bandwidth [i.e. $(f_c \pm f_c/2)$, where f_c is the centre, or the resonant, frequency] for practical dipole radii, are reported in [23]; for identical antennas this implies agreement of less than 0,3 dB for antenna factor.

To check that the chosen segmentation is appropriate, the convergence of the calculated impedance and current as the number of segments is increased should be investigated. An infinite, perfectly-conducting ground plane can be included in the model with the program. Also a voltage can be applied at a point on a wire with the program, and a lumped load impedance can be connected at a point on a wire.

C.2.2 Antenna input impedance

Antenna input impedance, Z_a , at the feed point is read from the program output.

C.2.3 Total length of the test antenna

The length of the antenna is chosen so that the antenna is resonant (i.e. has zero input reactance) in free space. The length is chosen iteratively. Starting with the antenna length equal to $\lambda/2$, the program is run to determine the input reactance. If the input reactance is positive, then the length of the antenna is decreased, whilst if it is negative the length of the antenna is increased. The program is run again until the modulus of the input reactance is less than 1Ω . At this stage the antenna is of the correct length.

Unlike the requirement for resonant length for the analytical calculations, the exact resonant length is not required for NEC. Simply enter the physical dimensions of the wire element. The agreement between measured and predicted performance of the test antenna is best in the region of the resonant frequency, but is slightly degraded well away from the resonant frequency, where the self-impedance of the wire element becomes large, with the potential to increase the mismatch uncertainty.

C.2.4 SIL computations

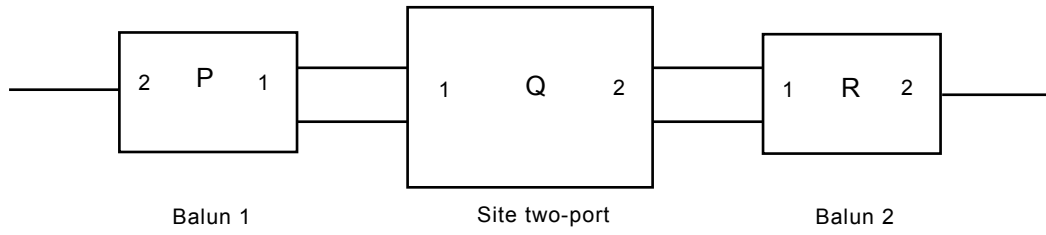
C.2.4.1 SIL for dipole-like antennas

C.2.4.1.1 Steps for computing SIL for dipole-like antennas

To calculate the SIL for a pair of test antennas, horizontally or vertically polarized above an ideal OATS or in free space, perform the steps summarized in the following list; details are given in the subclause listed in [] at each step. For monopole antennas, see C.2.4.2. These steps, apart from the measurement in b), are automatically carried out by for example the CAP2010 software [24], using the nine S -parameters from b) as input. The network model for the cascade combination of the two baluns and the site two port is shown in Figure C.4. A flowchart for the steps is shown in Figure C.5.

- a) [C.2.4.1.2] Using the MoM code, calculate the S -parameters of the “site two-port,” i.e. the two-port consisting of the pair of antennas above the ideal OATS or in free space. Example NEC input files are given in C.2.4.1.9.
- b) [C.2.4.1.3] For each of the two baluns, measure the nine complex-valued S -parameters of the balun three-port using a VNA.
- c) [C.2.4.1.4] For each of the two baluns, reduce the nine S -parameters of the balun three-port to four S -parameters of an equivalent two-port network (i.e. which has one balanced port and one unbalanced port). The calculation assumes that the two balun output ports are perfectly balanced and in antiphase, however the tolerances given in Table 2 ensure negligible error.
- d) [C.2.4.1.5] Combine the S -parameters of the two baluns and the site two-port network to obtain the S -parameters of the cascade combination of the transmit antenna balun, the site two-port network, and the receive antenna balun.

- e) [C.2.4.1.6] Calculate the SIL as the loss of the cascade combination of the baluns and the site two-port network.

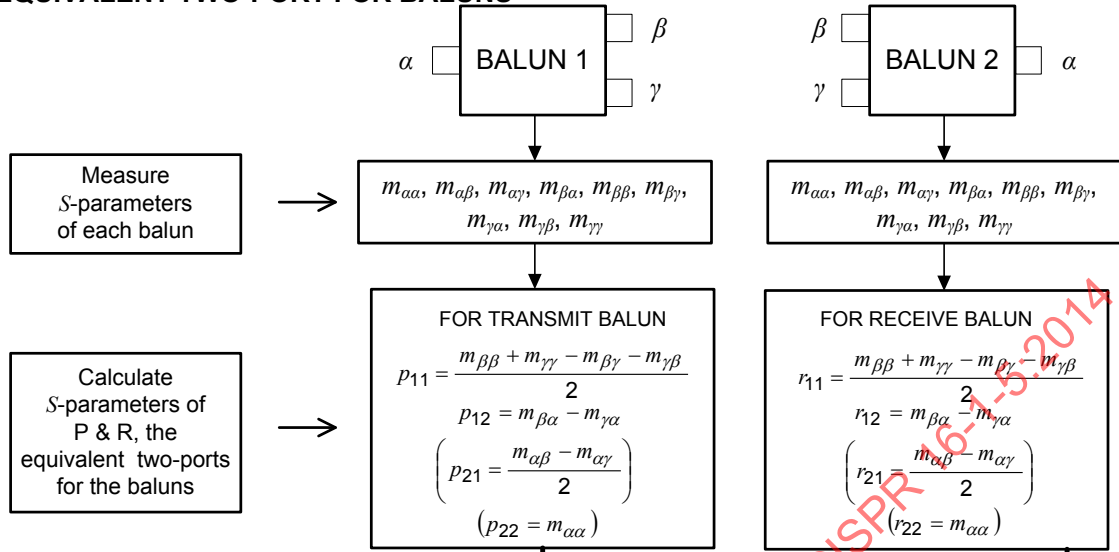


IEC

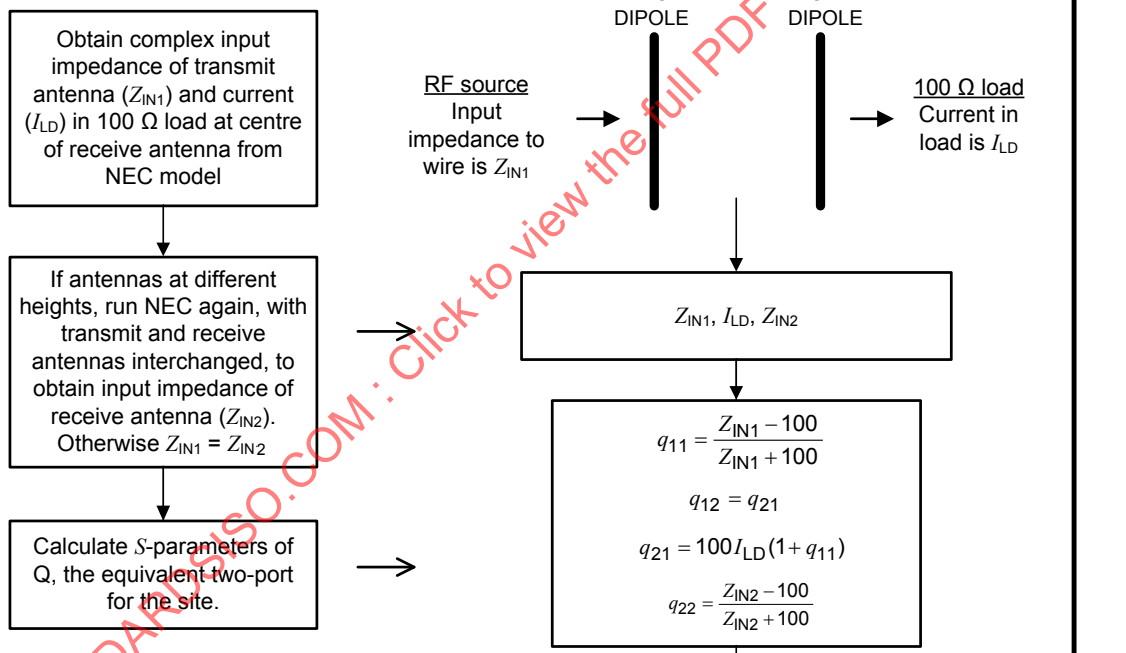
Figure C.4 – Cascade combination of the baluns and the site two-port network

STANDARDSISO.COM : Click to view the full PDF of CISPR 16-1-5:2014

EQUIVALENT TWO-PORT FOR BALUNS



EQUIVALENT TWO-PORT FOR SITE



COMBINING THE RESULTS

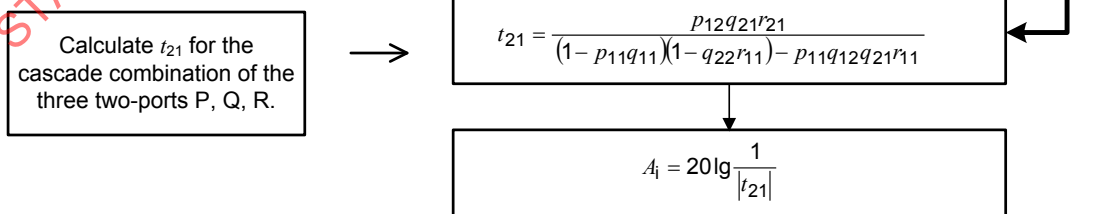


Figure C.5 – Flow chart showing how SIL is obtained by combining the measured balun S -parameters and the NEC calculated S -parameters of the site two-port network

C.2.4.1.2 Step a) – Compute the *S*-parameters of the site two-port

In the MoM code, set up the two test antennas either horizontally polarized or vertically polarized above an ideal OATS or in free space at heights h_1 and h_2 , with a horizontal separation d . Perform two runs of the MoM code. In the first run, apply an RF voltage $V_1 = 1$ V at port 1, and apply a load impedance $Z_{02} = 100 \Omega$ at port 2. Extract the complex-valued input impedance at port 1, Z_{in1} , and the complex-valued current through the load at port 2, I_{L2} . In the second run, keeping the antenna geometry the same, apply an RF voltage $V_2 = 1$ V at port 2, and apply a load impedance $Z_{01} = 100 \Omega$ at port 1. Extract the complex-valued input impedance Z_{in2} at port 2, and the complex-valued current through the load at port 1, I_{L1} .

The *S*-parameters of the site two-port (Q of Figure C.4), normalized to Z_{01} at port 1 and to Z_{02} at port 2, are then given by:

$$Q = \begin{pmatrix} q_{11} & q_{12} \\ q_{21} & q_{22} \end{pmatrix} \tag{C.25}$$

where

$$q_{11} = \frac{Z_{in1} - Z_{01}}{Z_{in1} + Z_{01}}, \tag{C.26}$$

$$q_{21} = Z_{02} I_{L2} (1 + q_{11}), \tag{C.27}$$

$$q_{22} = \frac{Z_{in2} - Z_{02}}{Z_{in2} + Z_{02}}, \tag{C.28}$$

$$q_{12} = Z_{01} I_{L1} (1 + q_{22}). \tag{C.29}$$

By reciprocity $Z_{01} q_{21} = Z_{02} q_{12}$.

C.2.4.1.3 Step b) – Measure the *S*-parameters of the two three-port baluns

Measure the nine complex-valued *S*-parameters of the balun three-port of each balun (P and R of Figure C.4) using a calibrated VNA.

NOTE Another description of steps b) to d) is given in B.3.

Let the scattering matrix of one of the balun three-ports be *M* as in Equation (C.30).

$$M = \begin{pmatrix} m_{\alpha\alpha} & m_{\alpha\beta} & m_{\alpha\gamma} \\ m_{\beta\alpha} & m_{\beta\beta} & m_{\beta\gamma} \\ m_{\gamma\alpha} & m_{\gamma\beta} & m_{\gamma\gamma} \end{pmatrix} \tag{C.30}$$

where port α is the unbalanced port of the balun (where the cable to the generator or measuring receiver is connected) and ports β and γ together constitute the balanced port of the balun (i.e. where the two halves of the antenna element are connected) (see Figure C.5). The scattering matrix *M* is normalized to 50 Ω at all three ports.

C.2.4.1.4 Step c) – Determine the *S*-parameters of the balun two-ports

Assuming the wire element ports of the balun are perfectly balanced in amplitude and exactly 180° apart in phase, the nine *S*-parameters of the balun three-port in C.2.4.1.3 are reduced to

four S -parameters of an equivalent two-port network. The reduced scattering matrix of the balun two-port is N in Equation (C.31).

$$N = \begin{pmatrix} n_{11} & n_{12} \\ n_{21} & n_{22} \end{pmatrix} \quad (\text{C.31})$$

where

$$n_{11} = \frac{m_{\beta\beta} + m_{\gamma\gamma} - m_{\beta\gamma} - m_{\gamma\beta}}{2}, \quad (\text{C.32})$$

$$n_{12} = m_{\beta\alpha} - m_{\gamma\alpha}, \quad (\text{C.33})$$

$$n_{21} = \frac{m_{\alpha\beta} - m_{\alpha\gamma}}{2}, \text{ and} \quad (\text{C.34})$$

$$n_{22} = m_{\alpha\alpha} \quad (\text{C.35})$$

where port 1 is the balanced port of the balun (comprising ports β and γ) and port 2 is the unbalanced port of the balun. The scattering matrix N is normalized to 100Ω at port 1 and to 50Ω at port 2.

C.2.4.1.5 Step d) – Calculate the S -parameters of the cascade combination of baluns and site two-port

Consider the cascade combination of the two baluns and the site two-port network shown in Figure C.4. For the baluns, the balanced port is labelled as port 1 and the unbalanced port is labelled as port 2. The S -parameters of the site two-port network as determined in C.2.4.1.2 are given by:

$$Q = \begin{pmatrix} q_{11} & q_{12} \\ q_{21} & q_{22} \end{pmatrix} \quad (\text{C.36})$$

The S -parameters of the baluns as determined in C.2.4.1.3 and C.2.4.1.4 are given by:

$$P = \begin{pmatrix} p_{11} & p_{12} \\ p_{21} & p_{22} \end{pmatrix} \quad (\text{C.37})$$

and

$$R = \begin{pmatrix} r_{11} & r_{12} \\ r_{21} & r_{22} \end{pmatrix} \quad (\text{C.38})$$

Finally, the S -parameters of cascade combination of balun 1, the site two-port network, and balun 2 are:

$$T = \begin{pmatrix} t_{11} & t_{12} \\ t_{21} & t_{22} \end{pmatrix} \quad (\text{C.39})$$

where the transmission coefficient t_{21} is given by:

$$t_{21} = \frac{p_{12}q_{21}r_{21}}{(1-p_{11}q_{11})(1-q_{22}r_{11})-p_{11}q_{12}q_{21}r_{11}} \tag{C.40}$$

C.2.4.1.6 Step e) – Calculate the SIL

If the signal generator and the measuring receiver are both matched to 50 Ω, the SIL is given by

$$A_{ic} = 20\lg\left(\left|\frac{1}{t_{21}}\right|\right) = 20\lg\left(\left|\frac{(1-p_{11}q_{11})(1-q_{22}r_{11})-p_{11}q_{12}q_{21}r_{11}}{p_{12}q_{21}r_{21}}\right|\right) \tag{C.41}$$

C.2.4.1.7 Example SIL values

Examples of SIL values are given in Table C.5. The same antenna lengths and radii, L_a and R_{we} , as in Table C.1 are used. The antenna heights as in Table 7 are used. If different dipole radii are used, the operator should calculate the free-space resonant lengths and new A_{ic} values. The antenna separation is 10 m, and the height of the centre of the transmit antenna is 2 m, except at 30 MHz, 35 MHz and 40 MHz, where a height of 2,75 m has been chosen. The receive antenna heights are chosen to reduce the number of height changes, but are near to the height giving the maximum signal. The A_{ic} values in Table C.2 and Table C.5 may be calculated using the methods of C.1.

Table C.5 – MoM example calculation of A_{ic} for vertical polarization, $h_t = 2$ m, except $h_t = 2,75$ m at 30 MHz, 35 MHz and 40 MHz

f MHz	h_r m	A_{ic} dB	f MHz	h_r m	A_{ic} dB	f MHz	h_r m	A_{ic} dB
30	2,75	16,48	90	1,15	23,30	300	2,6	33,38
35	2,4	16,97	100	1,0	24,33	400	1,8	35,68
40	2,4	17,83	120	1,0	25,81	500	1,4	37,61
45	1,9	18,66	140	1,0	27,27	600	1,4	39,14
50	1,9	18,90	160	1,0	28,97	700	1,0	40,37
60	1,5	20,14	180	1,0	30,76	800	1,0	41,24
70	1,5	21,05	200	1,0	32,46	900	1,6	43,21
80	1,15	22,28	250	3,1	32,20	1000	1,6	43,48

h_r is the receive antenna height.

C.2.4.1.8 SIL when the baluns are well matched

If both baluns are matched (i.e. $p_{11} = p_{22} = r_{11} = r_{22} = 0$), the expression for SIL reduces to

$$A_{ic} = 20\lg\left(\left|\frac{1}{S_{21}}\right|\right) + 20\lg\left(\left|\frac{1}{q_{21}}\right|\right) \tag{C.42}$$

where $S_{21} = p_{12}r_{21}$ is the transmission coefficient of the two baluns connected back to back, and q_{21} is the transmission coefficient of the site two-port network.

C.2.4.1.9 Example NEC input files used in computation of SIL for dipoles

The two GW (i.e. wire geometry) lines define two wires of length 0,791 m and radius 1,5 mm (corresponding to L_a resonant at 180 MHz), each divided into 31 segments. The two wires are horizontally polarized above a ground plane in the XY plane at a height of 2 m and a separation of 10 m.

NOTE In the following lines of code, decimal points rather than commas are intentional, because the NEC code treats commas as parameter delimiters. Also, use of single or multiple blank spaces between numbers makes no difference.

a) **Input file for first NEC run, HP dipoles**

```
GW 1 31 0 0 2 0.791 0 2 0.0015
GW 2 31 0 10 2 0.791 10 2 0.0015
GE 1
FR 0 231 0 0 90 1
EX 0 1 16 00 1.0 0.0
LD 0 2 16 16 100 0 0
GN 1
PT 0 2 16 16
XQ 0
EN
```

b) **Input file for second NEC run, HP dipoles**

```
GW 1 31 0 0 2 0.791 0 2 0.0015
GW 2 31 0 10 2 0.791 10 2 0.0015
GE 1
FR 0 231 0 0 90 1
EX 0 2 16 00 1.0 0.0
LD 0 1 16 16 100 0 0
GN 1
PT 0 1 16 16
XQ 0
EN
```

c) **Input files for first and second NEC runs, VP dipoles**

Replace the GW lines in the preceding two HP input files by:

```
GW 1 31 0 0 1.3545 0 0 2.1455 0.0015
GW 2 31 0 10 1.3545 0 10 2.1455 0.0015
```

d) **Input files for first and second NEC runs, dipoles in free space**

In either of the HP or VP pair of input files, change GE 1 to GE 0, and omit the line GN 1.

C.2.4.2 SIL for monopole antennas

C.2.4.2.1 Steps for computing the SIL for a pair of identical monopole antennas

In the MoM code, set up the two identical monopole elements above an ideal OATS. See the example NEC input file at the end of C.2.4.2.2 for elements of 1 m length and 5 mm radius, spaced 15 m apart. Run the MoM code, applying an RF voltage $V_1 = 1$ V at port 1, and a load impedance $Z_{02} = 50 \Omega$ at port 2. Extract the complex-valued input impedance at port 1, Z_{in1} , and the complex-valued current through the load at port 2, I_{L2} . The SIL is given by Equation (C.43).

$$A_{ic} = 20 \lg \left| \frac{Z_{02} + Z_{in1}}{2Z_{in1}} \frac{1}{Z_{02} I_{L2}} \right| \quad (C.43)$$

NOTE The generator and receiver are both matched to $Z_{02} = 50 \Omega$.

C.2.4.2.2 Example NEC input file used in computation of SIL for monopoles

NEC input file for SIL of a monopole antenna

```
GW 1 12 0 0 0 0 0 1 0.005
GM 1 1 0 0 0 0 15 0
GE 1
GN 1
FR 0 96 0 0 5 1 0 0
EX 0 1 1 1 1 0
LD 4 2 1 1 50 0
```

PT 0 2 1 1
XQ
EN

C.2.5 Antenna factor (AF) computations

C.2.5.1 AF for dipole-like antennas

C.2.5.1.1 Steps for calculating the AF for dipole-like antennas

To calculate the AF of a test antenna using a MoM code, e.g. NEC [22], either in free space or horizontally or vertically polarized at a height h above an ideal OATS, perform the following steps [12], [23]; details are given in the subclause listed in brackets [] at each step.

- a) [C.2.5.1.2] Calculate the effective length (l_{eff}) and input impedance (Z_A) of the antenna element using the MoM code.
- b) [C.2.5.1.3] Measure the nine complex-valued S -parameters of the balun three-port using a vector network analyzer (VNA).
- c) [C.2.5.1.3] Reduce the nine S -parameters of the balun three-port to four S -parameters of an equivalent two-port network (with one balanced port and one unbalanced port).
- d) [C.2.5.1.4] Combine the effective length and input impedance of the antenna element with the S -parameters of the balun to obtain the antenna factor of the test antenna.

The test antenna comprises a dipole antenna element and a balun. The calculation is most precise at the resonant frequency, f_{res} , of the antenna [22], but better than $\pm 0,3$ dB at the band edges for at least a bandwidth of $[f_{\text{res}} \pm (f_{\text{res}}/2)]$.

C.2.5.1.2 Step a) – Calculate the effective length and input impedance

Calculate the effective length and input impedance of the antenna element using the MoM code. In the MoM code set up a pair of identical co-polarized dipole antenna elements (wires), of the correct length l and radius a , at a far-field separation d , either in free space or at a height h above an ideal OATS. Both antennas are placed at the same height. Apply a voltage V_S at the centre of the transmit dipole, and a load with impedance Z_L at the centre of the receive dipole.

Perform two runs of the MoM code; see C.2.5.1.7 for example NEC input files. In the first run, obtain the magnitude of the complex electric field strength vector, $|E|$, at the position of the centre of the receive antenna but with the receive antenna removed. In the second run, with the receive antenna in place, obtain the complex-valued input impedance of the transmit antenna Z_A and the magnitude of the complex-valued load current $|I_L|$ at the centre of the receive antenna. Compute the magnitude of the complex-valued effective length $|l_{\text{eff}}|$ of the antenna element using Equation (C.44).

$$|l_{\text{eff}}| = \frac{|(Z_A + Z_L)| |I_L|}{|E|} \quad (\text{C.44})$$

C.2.5.1.3 Steps b) and c) – Measure the S -parameters of the balun three-port and determine the S -parameters of the balun two-port network

Follow the procedures of C.2.4.1.3 and C.2.4.1.4.

C.2.5.1.4 Step d) – Calculate the AF

Combine the effective length and input impedance of the antenna element with the S -parameters of the balun to obtain the antenna factor of the test antenna.

The antenna factor, F_a (in dB) of the test antenna is given by Equation (C.45), in which Γ and n [see Equation (C.31)] are complex numbers.

$$F_a = 20 \lg \left| \frac{2[(1 - \Gamma_A n_{11})(1 - \Gamma_R n_{22}) - \Gamma_A \Gamma_R n_{12} n_{21}]}{n_{21}(1 + \Gamma_R)(1 - \Gamma_A) \gamma_{\text{eff}}} \right| \quad (\text{C.45})$$

The voltage reflection coefficient of the antenna element, Γ_A , is given by:

$$\Gamma_A = \frac{Z_A - 100}{Z_A + 100} \quad (\text{C.46})$$

and the voltage reflection coefficient of the measuring receiver, Γ_R , is given by:

$$\Gamma_R = \frac{Z_R - 50}{Z_R + 50} \quad (\text{C.47})$$

where Z_A and Z_R are the complex-valued input impedances of the antenna element and the measuring receiver respectively.

C.2.5.1.5 AF for a matched balun with a matched receiver

Assuming a matched balun ($n_{11} = n_{22} = 0$) and a matched receiver ($\Gamma_R = 0$), Equation (C.45) for antenna factor reduces to:

$$F_a = 20 \lg \left| \frac{1}{n_{21}} \right| + F_{a \text{ element}} \quad (\text{C.48})$$

where $F_{a \text{ element}}$ is the antenna factor of the antenna element into a 100 Ω load, and is given by:

$$F_{a \text{ element}} = 20 \lg \left| \frac{2}{(1 - \Gamma_A) \gamma_{\text{eff}}} \right| = 20 \lg \left| \frac{Z_A + 100}{100 \gamma_{\text{eff}}} \right| \quad (\text{C.49})$$

The 100 Ω load is in the line “LD” in the “Input file for AF of a dipole. Second NEC run, HP” in C.2.5.1.7.

It is useful to calculate theoretical AF without the balun, for the purpose of comparing F_a with $F_a(h,p)$, and also for assessing the change to F_a in the near-field of the antenna.

C.2.5.1.6 AF calculated from S_{21} of two baluns connected back-to-back

Assuming a matched balun ($n_{11} = n_{22} = 0$) and a matched receiver ($\Gamma_R = 0$), gives:

$$F_a = F_{a \text{ element}} + 3 + \frac{A_{\text{balun pair}}}{2} \quad (\text{dB}) \quad (\text{C.50})$$

where

$$A_{\text{balun pair}} = 20 \lg \left| \frac{1}{S_{21}} \right| \quad (\text{C.51})$$

is the attenuation of a pair of baluns (assumed to be identical) connected back-to-back, and $S_{21} = n_{21} n_{12}$ is the transmission coefficient measured using a VNA between the two unbalanced ports of the pair of baluns. Any difference between the baluns should be included as an uncertainty, which can be estimated by a three-balun technique, similar in principle to the free-space TAM in 7.4.1.1 of CISPR 16-1-6:2014.

C.2.5.1.7 Example NEC input files used in computation of AF for dipoles

NOTE In the following lines of code, decimal points rather than commas are intentional, because the NEC code treats commas as parameter delimiters. Also, use of single or multiple blank spaces between numbers makes no difference.

a) Input file for AF of a dipole. First NEC run, HP

The geometry line GW shows one wire of length 0,791 m and radius 1,5 mm (resonant at 180 MHz), divided into 31 segments. The (0, 0, 2) and (0.791, 0, 2) are coordinates in the X,Y,Z planes indicating a horizontally polarized wire at a height of 2 m above the ground plane. The flag 1 on the line GN indicates the presence of a ground plane in the XY plane at Z = 0.

```
GW 1 31 0 0 2 0.791 0 2 0.0015
GE 1
FR 0 231 0 0 90 1
EX 0 1 16 00 1.0 0.0
GN 1
NE 0 1 1 1 0.3955 50 2 1 1 1
XQ 0
EN
```

b) **Input file for AF of a dipole. Second NEC run, HP**

```
GW 1 31 0 0 2 0.791 0 2 0.0015
GW 2 31 0 50 2 0.791 50 2 0.0015
GE 1
FR 0 231 0 0 90 1
EX 0 1 16 00 1.0 0.0
LD 0 2 16 16 100 0 0
GN 1
PT 0 2 16 16
XQ 0
EN
```

c) **Input file for AF of a dipole. First NEC run, VP**

In the 'Input file for first NEC run, HP', replace the GW line by
 GW 1 31 0 0 1.3545 0 0 2.1455 0.0015

Replace the NE line by
 NE 0 1 1 1 0 50 1.75 1 1 1

d) **Input file for AF of a dipole Second NEC run, VP**

In the 'Input file for second NEC run, HP', replace the GW lines by
 GW 1 31 0 0 1.3545 0 0 2.1455 0.0015
 GW 2 31 0 50 1.3545 0 50 2.1455 0.0015

e) **Input files for AF of a dipole in free-space first and second NEC runs**

Rather than placing a dipole at a great height above a ground plane, set NEC to omit the ground plane. To either of the HP or VP sets of first and second files, change GE 1 to GE 0 and omit the line GN 1

C.2.5.2 AF of a monopole antenna

C.2.5.2.1 Calculation of AF of a monopole antenna

The AF of a monopole antenna is calculated as follows, assuming a matched receiver. Carry out two runs of the NEC MoM code. The separation distance should be a minimum of $3,33\lambda$ for near-field effects to be negligible. In the first run, a single monopole antenna transmits above an ideal OATS, and the electric field strength (E) is determined at the surface of the ground plane at a distance of 200 m from the transmit monopole. In the second run, a second monopole with a 50Ω load at its base is placed at the point where the electric field strength was previously determined, and the current through the load (I_L) is determined. See the example NEC monopole input files in C.2.5.2.2 for an element of 1 m length and 5 mm radius.

The AF of the second monopole is then calculated from the electric field strength E and the load current I_L as follows:

$$F_a = 20 \lg \left| \frac{E}{I_L \times 50} \right| \tag{C.52}$$

The physical monopole antenna will differ from this model because of the type N adaptor (see 4.10.1). The length of the model antenna can be adjusted to better simulate the physical antenna by measuring the SIL over a sufficient bandwidth that identifies the resonant frequency, which is around 75 MHz for a 1 m element. Adjust the model length until it matches the measured resonant frequency, yielding a more accurate value of the F_a (STA) described in G.1.1 of CISPR 16-1-6.

NOTE This F_a is used for the STA in G.1 of CISPR 16-1-6:2014.

$$F_{a \text{ element}} = 20 \lg \left| \frac{2}{(1 - \Gamma_A) l_{\text{eff}}} \right| = 20 \lg \left| \frac{Z_A + 50}{50 l_{\text{eff}}} \right| \quad (\text{C.53})$$

where

$$\Gamma_A = \frac{Z_A - 50}{Z_A + 50} \quad (\text{C.54})$$

C.2.5.2.2 Example NEC input files used in computation of AF for monopoles

NOTE In the following lines of code, decimal points rather than commas are intentional, because the NEC code treats commas as parameter delimiters. Also, use of single or multiple blank spaces between numbers makes no difference.

a) Input file for AF of a monopole antenna. First NEC run

```
GW 1 12 0 0 0 0 1 0.005
GE 1
GN 1
FR 0 96 0 0 5 1 0 0
EX 0 1 1 1 1 0
NE 0 1 1 1 0 200 0 0 0 0
XQ
EN
```

b) Input file for AF of a monopole antenna. Second NEC run

```
GW 1 12 0 0 0 0 1 0.005
GM 1 1 0 0 0 0 200 0
GE 1
GN 1
FR 0 96 0 0 5 1 0 0
EX 0 1 1 1 1 0
LD 4 2 1 1 50 0
PT 0 2 1 1
XQ
EN
```

Annex D (informative)

Pascal Program used in C.1.4

The purpose of this annex is to make the needed calculations easily accessible. The following Pascal Program (Turbo Pascal 7.0) was used to calculate the results given in C.1.4. No attempts have been made to optimize this program. The Pascal software has been written in C++, and this text and its executable file (CALTS_DIPOLE.exe) are freely downloadable from [24].

The program CALTS_DIPOLE prompts for the frequency in MHz and the dipole radius in mm (this gives the dipole resonant length regardless of the following prompts); heights of transmitting and receiving antennas and horizontal antenna separation distance; ideal ground plane reflection Y/N. If N, it prompts for the reflection coefficient and the phase of reflection from an infinite ground plane. If Y, it displays a reflection coefficient of 1 and phase of 180° (i.e. perfect reflection in horizontal polarization) and skips to Ideal Antenna Impedance Y/N. If N, it prompts for R-AB transmit and X-AB transmit [real and imaginary parts of Z_{AB} in Equation (C.11) and Figure C.2]; R-CD receive and X-CD receive [Z_{CD} in Equation (C.11)]. If Y, it displays $Z_{AB} = Z_{CD} = 100 \Omega$ real (i.e. the impedance as seen by the dipole looking into the balun). Finally the output displays the frequency, the resonant length L_a in m, and the SIL in dB.

The programming follows closely the equations given in C.1.3, so that easy checks can be done. The *{comment}*-part at the end of a PROCEDURE cross references the corresponding equation(s). The “actual program,” after *{Calculations}*, consists only of two lines in which L_a and A are calculated. That part is preceded by a part *{Input Data}* and succeeded by a part *{Output Data}*. The latter two parts can easily be adapted to the actual calculations to be carried out.

```
PROGRAM analytical_calculation_SIL_OATS;
USES crt,dos;
LABEL impedance, calculate;
VAR f,f0,laf,la0,wr,ht,hr,d,rab,xab,rcd,xcd,saf,arc,fir: real;
    yn                                     : char;
```

```
PROCEDURE cprod(r1,i1,r2,i2:real; var rz,iz:real);
begin
    rz:= r1*r2-i1*i2; iz:= i1*r2+r1*i2;
end; {cprod, complex product}
```

```
PROCEDURE fsc(x:real; var fx: real);
var a1,a2,b1,b2,nom,denom:real;
begin
    a1:= 7.241163; a2:= 2.463936;
    b1:= 9.068580; b2:= 7.157433;
    nom:= x*x*x*x+a1*x*x+a2;
    denom:= x*x*x*x+b1*x*x+b2;
    fx:= nom/denom/x;
end; {fsc, Equation (C.11)}
```

```
PROCEDURE gsc(x:real; var gx: real);
var c1,c2,d1,d2,nom,denom:real;
begin
    c1:= 7.547478; c2:= 1.564072;
    d1:=12.723684; d2:=15.723606;
    nom:= x*x*x*x+c1*x*x+c2;
    denom:= x*x*x*x+d1*x*x+d2;
```

```
gx:= nom/denom/x/x;
end; {gsc, Equation (C.11)}
```

```
PROCEDURE Si(x:real; var six:real);
var fx,gx:real;
begin
  if x>=1 then
    begin
      fsc(x,fx); gsc(x,gx); six:= Pi/2-fx*cos(x)-gx*sin(x);
    end;
    if x<1 then
      six:= x-x*x*x/18+x*x*x*x*x/600-x*x*x*x*x*x*x/35280;
    end; {Si, Equation (C.7)}
```

```
PROCEDURE Ci(x:real; var cix:real);
var fx,gx,sum: real;
begin
  if x>=1 then
    begin
      fsc(x,fx); gsc(x,gx); cix:= fx*sin(x)-gx*cos(x);
    end;
    if x<1 then
      cix:= 0.577+ln(x)-x*x/4+x*x*x*x*x/96-x*x*x*x*x*x*x/4320+x*x*x*x*x*x*x*x*x/322560;
    end; {Ci, Equation (C.8)}
```

```
PROCEDURE Ra(f,laf:real; var raf:real);
var kx0,g,k,x,cix,ci2x,six,si2x,ssi,sci:real;
begin
  kx0:= 377/2/Pi; g:= 0.577; k:= 2*Pi*f/3E8;
  Si(k*laf,six); Ci(k*laf,cix);
  Si(2*k*laf,si2x); Ci(2*k*laf,ci2x);
  ssi:= si2x-2*six; sci:= g+ln(k*laf/2)+ci2x-2*cix;
  x:= k*laf;
  raf:= kx0*(g+ln(x)-cix+sin(x)*ssi/2+cos(x)*sci/2)/sin(x/2)/sin(x/2);
end; {Ra, free space, Equation (C.18)}
```

```
PROCEDURE Xa(f,laf,wr:real; var xaf:real);
var kx0,k,x,cix,ci2x,cixa,six,si2x,ssi,sci:real;
begin
  kx0:= 377/4/Pi; k:= 2*Pi*f/3E8;
  Si(k*laf,six); Ci(k*laf,cix);
  Si(2*k*laf,si2x); Ci(2*k*laf,ci2x);
  Ci(2*k*wr*wr/laf,cixa);
  ssi:= 2*six+cos(k*laf)*(2*six-si2x);
  sci:= sin(k*laf)*(2*cix-ci2x-cixa);
  x:= k*laf/2;
  xaf:= kx0*(ssi-sci)/sin(x)/sin(x);
end; {Xa, Equation (C.4)}
```

```
PROCEDURE la(f,wr:real; var laf:real);
label again;
var del,lat,lao,xat:real;
begin
  del:= 0.1; lat:= 3E8/f/2; lao:= lat;
again:
  Xa(f,lat,wr,xat);
  lat:= lat-del*lat;
  if xat>0 then begin lao:= lat; goto again; end;
  lat:= lao+1.1*del*lao;
  Xa(f,lat,wr,xat);
  if abs(xat)>0.00001 then begin del:= del/10; goto again; end;
```

laf:= lat;
end; {la, length antenna (f), Equation (C.3)}

PROCEDURE Rm(r,f,laf,s1,s2,s3,s4:real; **var** rmf:real);
var k,fac,kcr,kc1,kc2,kc3,kc4,ks1,ks2,ks3,ks4,t1,t2,t3:real;
begin
 k:= 2*Pi*f/3E8; fac:= 377/4/Pi/sin(k*laf/2)/sin(k*laf/2);
 Ci(k*r,kcr);
 Ci(k*s1,kc1); Ci(k*s2,kc2); Ci(k*s3,kc3); Ci(k*s4,kc4);
 Si(k*s1,ks1); Si(k*s2,ks2); Si(k*s3,ks3); Si(k*s4,ks4);
 t1:= 2*(2*kcr-kc3-kc4);
 t2:= cos(k*laf)*(2*kcr+kc1+kc2-2*kc3-2*kc4);
 t3:= sin(k*laf)*(ks1-ks2-2*ks3+2*ks4);
 rmf:= fac*(t1+t2+t3);
end; {R-mutual, Equation (C.19)}

PROCEDURE Xm(r,f,laf,s1,s2,s3,s4:real; **var** xmf:real);
var k,fac,ksr,kc1,kc2,kc3,kc4,ks1,ks2,ks3,ks4,t1,t2,t3:real;
begin
 k:= 2*Pi*f/3E8; fac:= 377/4/Pi/sin(k*laf/2)/sin(k*laf/2);
 Si(k*r,ksr);
 Si(k*s1,ks1); Si(k*s2,ks2); Si(k*s3,ks3); Si(k*s4,ks4);
 Ci(k*s1,kc1); Ci(k*s2,kc2); Ci(k*s3,kc3); Ci(k*s4,kc4);
 t1:= 2*(2*ksr-ks3-ks4);
 t2:= cos(k*laf)*(2*ksr+ks1+ks2-2*ks3-2*ks4);
 t3:= sin(k*laf)*(kc1-kc2-2*kc3+2*kc4);
 xmf:= -fac*(t1+t2-t3);
end; {X-mutual, Equation (C.20)}

PROCEDURE Dist(r,laf:real; **var** s1,s2,s3,s4:real);
var sqr1,sqr2:real;
begin
 sqr1:= sqrt(r*r+laf*laf); sqr2:= sqrt(r*r+laf*laf/4);
 s1:= sqr1+laf; s2:= sqr1-laf;
 s3:= sqr2+laf/2; s4:= sqr2-laf/2;
end; {Distances, Equation (C.21)}

PROCEDURE SA(f,f0,d,ht,hr,arc,fir,rab,xab,rcd,xcd:real; **var** saf:real);
var r,r11,x11,r12,x12,r13,x13,r14,x14,r22,x22,r24,x24,rrc,irc,
 rd,xd,rna,xna,mb,xnb,rn,xn,s1,s2,s3,s4,wr0,la0,alpha :real;
begin
 rrc:= arc*cos(fir); irc:= arc*sin(fir); alpha:= 40;
 wr0:= 1.5E8/f0/sqrt(exp(alpha)); la(f0,wr0,la0);
 Ra(f,la0,r11); Xa(f,la0,wr0,x11); r22:= r11; x22:= x11;
 r:= sqrt(d*d+(ht-hr)*(ht-hr)); Dist(r,la0,s1,s2,s3,s4);
 Rm(r,f,la0,s1,s2,s3,s4,r12); Xm(r,f,la0,s1,s2,s3,s4,x12);
 r:= 2*ht; Dist(r,la0,s1,s2,s3,s4);
 Rm(r,f,la0,s1,s2,s3,s4,rd); Xm(r,f,la0,s1,s2,s3,s4,xd);
 cprod(rrc,irc,rd,xd,r13,x13);
 r:= sqrt(d*d+(ht+hr)*(ht+hr)); Dist(r,la0,s1,s2,s3,s4);
 Rm(r,f,la0,s1,s2,s3,s4,rd); Xm(r,f,la0,s1,s2,s3,s4,xd);
 cprod(rrc,irc,rd,xd,r14,x14);
 r:= 2*hr; Dist(r,la0,s1,s2,s3,s4);
 Rm(r,f,la0,s1,s2,s3,s4,rd); Xm(r,f,la0,s1,s2,s3,s4,xd);
 cprod(rrc,irc,rd,xd,r24,x24);
 cprod(r12+r14,x12+x14,rab+rcd,xab+xcd,rd,xd);
 cprod(rab+r11+r13,xab+x11+x13,rcd+r22+r24,xcd+x22+x24,rna,xna);
 cprod(r12+r14,x12+x14,r12+r14,x12+x14,rmb,xnb);
 rn:= rna-rnb; xn:= xna-xnb;
 saf:= sqrt((rn*rn+xn*xn)/(rd*rd+xd*xd));
 saf:= 20*ln(saf)/ln(10);

end; {SIL, Equation (C.17)}

PROCEDURE YesNo(**var** rk: char);

begin

 repeat

 rk:= readkey; rk:= upcase(rk);

 until (rk= 'Y') or (rk= 'N');

 writeln(rk);

end; {Yes/No}

BEGIN

{Input Data}

 clrscr;

 write('Frequency (MHz)= '); read(f); f:= f*1E6;

 write('Radius Wire Antenna (mm)= '); read(wr); wr:= wr*1E-3;

 write('Height Transmit Antenna (m)= '); read(ht);

 write('Height Receive Antenna (m)= '); read(hr);

 write('Horizontal Antenna Distance (m)= '); read(d);

 write('Ideal Plane Reflection? (Y/N)= '); YesNo(yn); **if** yn='Y' **then**

begin arc:=1; fir:= Pi; **goto** impedance; **end;**

 write('Modulus Reflection Coefficient = '); read(arc);

 write('Phase Refl. Coef. (Degrees)= '); read(fir); fir:= fir*Pi/180;

 impedance:

 write('Ideal Antenna Impedance (Y/N)= '); YesNo(yn); **if** yn='Y' **then**

begin rab:= 100; xab:= 0; rcd:= 100; xcd:= 0; **goto** calculate; **end;**

 write('R-AB (transmit) (Ohm)= '); read(rab);

 write('X-AB (transmit) (Ohm)= '); read(xab);

 write('R-CD (receive) (Ohm)= '); read(rcd);

 write('X-CD (receive) (Ohm)= '); read(xcd);

{Calculations}

 calculate:

 f0:=f

 la(f0,wr,laf);

 SIL(f,f0,d,ht,hr,arc,fir,rab,xab,rcd,xcd,saf);

{Output Data}

 writeln;

 writeln('f(MHz)= ',f/1E6:3:0,' La(m)= ',laf:3:3,' Aic(dB)= ',saf:3:3);

 writeln;

END.

STANDARDSISO.COM : Click to view the full PDF of CISPR 16-1-5:2014

Annex E
(informative)

Validation procedure checklist

a	General information	
a1	Address, CALTS location	
a2	Address, tel/fax number, email address CALTS owner	
a3	Address, tel/fax number, email address of the person/organization responsible for the CALTS validation report	Can be the same as under a2.
a4	Address, tel/fax number, email address of the person/organization who carried out the CALTS validation.	Can be the same as under a2 and/or a3.
a5	Signatures of the persons/organizations mentioned under a2, a3 and a4.	
a6	General description of the CALTS configuration and ancillary components as used during the CALTS validation.	The use of photographs, drawings and part numbers may facilitate the description.
a7	Date of the completion CALTS validation and issue date of the validation report.	
b	Validity assessment	
b1	Results validity assessment.	
b2	Determination of period of validity of the present CALTS validation.	
b3	Identification of limiting conditions and configurations.	
c	Test antennas	
c1	Identification of calculable antennas.	Type, part number.
c2	Check compliance with the applicable normative specifications.	Reference 4.3.2 and the values in Table 2.
c3	Identify characteristic impedance used.	See 4.3.2 g).
d	Test set-up	
d1	Detailed description of test set-up.	
d2	Check compliance with the applicable normative specifications.	Reference 4.4.2 and the values in Table 2.
e	Measurements	
e1	If applicable give rationale for deviation from specified frequencies.	See 4.4.3.3.
e2	Results of SIL measurement in accordance with 4.4.4 and Table 3 and determination of SIL uncertainty.	See 4.4.3.1 and 4.4.4.
e3	Results of either antenna height-scan measurements or frequency-scan measurements and the uncertainty.	See A.4.

f	Calculation SIL and tolerances	See 4.5.2.
f1	Description of calculation methods used for SIL and either height or frequency criterion for maximum SIL.	Reference: Annex C, analytical or MoM procedures.
f2	Determine theoretical SIL and either height or frequency criterion.	
f3	Determine total measurement uncertainties using default values or calculated values in case of deviations in Table 2.	Equations (4) and (A.2) or (A.4).
g	Acceptance criteria calculations	See 4.5.3; also A.4.2.3, A.4.3.3.
g1	Determine absolute values of calculated and measured values of SIL and either the antenna height or frequency.	
g2	Determine difference between allowed tolerance and measurement uncertainties of SIL and either the antenna height or frequency.	
g3	Check compliance using the Equation (5), and Equation (A.1) and/or (A.3).	
h	Final statement of compliance	
h1	Summarize results; declare compliance taking into account period of validity and the stated limiting conditions and configurations.	Reference b

STANDARDSISO.COM : Click to view the full PDF of CISPR 16-1-5:2014

Annex F (informative)

Evidence that field taper of VP site validation method has negligible effect on measured antenna factor

F.1 Investigation of vertical field taper

The field uniformity across the vertical aperture of an AUC was measured according to the procedures of 4.9 using a mini-biconical antenna fitted with open cone elements of tip-to-tip length 0,39 m. SIL measurements were made with the mini-biconical antenna between heights of 1 m and 2,6 m, in increments of 0,2 m. The results were normalized by the values at 1,8 m height. There was a separation of 15 m between the monocone antenna and the AUC. The variation in the field level from that at 1,8 m height is shown in Figure F.1. Most variation is within $\pm 0,5$ dB, with three narrowband spikes just exceeding ± 1 dB. Therefore the acceptance criterion of $\pm 1,5$ dB is comfortably met.

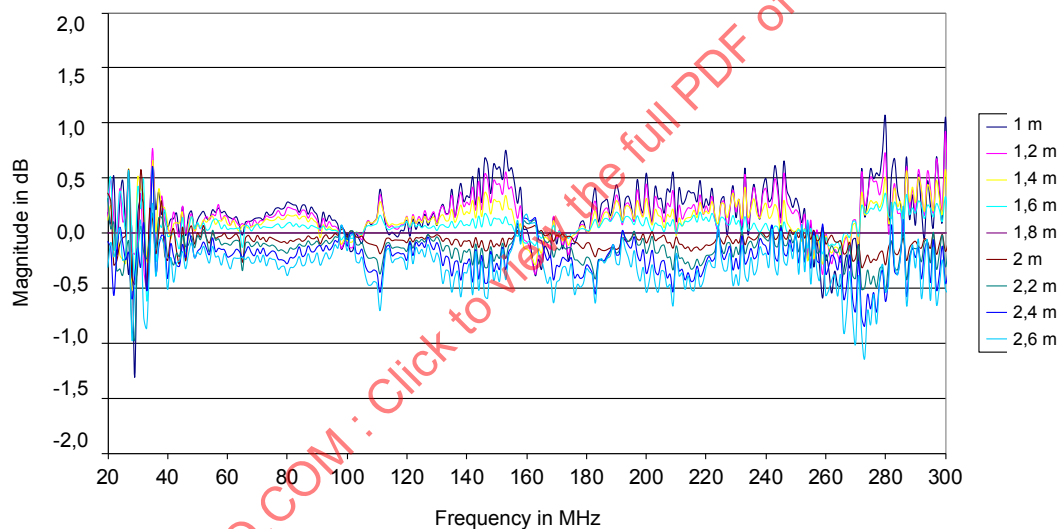
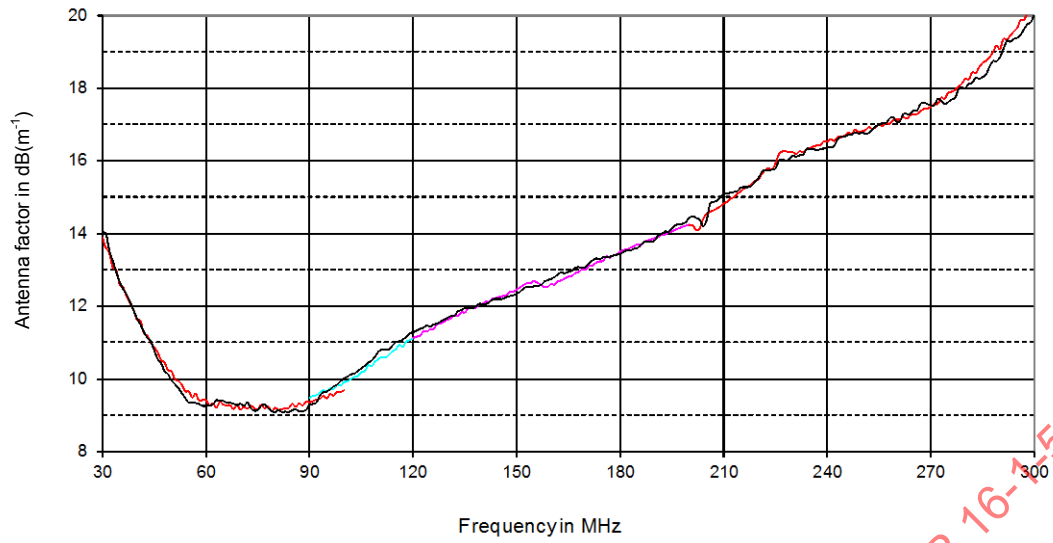


Figure F.1 – Field uniformity with height step 1 m to 2,6 m, normalized to field at 1,8 m height; monocone at 15 m range

F.2 Calibration of biconical antennas using vertical polarization

A biconical AUC was calibrated according to 9.3 of CISPR 16-1-6:2014 on a 60 m by 30 m ground plane, using a calculable dipole antenna as the STA. The centre of the vertically polarized AUC was 1,75 m above the ground plane. The cable extended horizontally behind the AUC for more than 5 m before dropping vertically to the ground plane. Calibrations were repeated at separations of 10 m, 12,5 m and 15 m between the AUC and the monocone. The shorter the separation, the greater was the vertical field taper; nevertheless, a separation of 10 m gave excellent results on this large ground plane.

The antenna factor obtained by the method of 9.3 of CISPR 16-1-6:2014 was confirmed by using the entirely different method of B.4.2 of CISPR 16-1-6:2014, i.e. that involves measuring the AF of a horizontally polarized antenna at a number of heights above a ground plane and averaging these to give F_a . The agreement was better than 0,2 dB for most of the results, as shown in Figure F.2, in which Tx and Rx signify the transmit and receive antennas.



—	30 MHz to 110 MHz, Tx: 2 m Rx: (6-lambda/2) m to 6 m, 60 MHz dipole element
—	90 MHz to 120 MHz, Tx: 2 m Rx: (6-lambda/2) m to 6 m, 180 MHz dipole element
—	120 MHz to 200 MHz, Tx: 1 m Rx: 2,5 m to 3,5m
—	200 MHz to 300 MHz, Tx: 1 m Rx: 2,5 m to 4 m
—	VP method, range 20 m

Figure F.2 – Averaging of height steps, SAM, B.4.2 in CISPR 16-1-6:2014

STANDARDSISO.COM : Click to view the full PDF of CISPR 16-1-5:2014

Bibliography

- [1] CISPR 16-1-1:2010, *Specification for radio disturbance and immunity measuring apparatus and methods – Part 1-1: Radio disturbance and immunity measuring apparatus – Measuring apparatus*
CISPR 16-1-1:2010/AMD 1:2010
- [2] CISPR 16-2-3:2010, *Specification for radio disturbance and immunity measuring apparatus and methods – Part 2-3: Methods of measurement of disturbances and immunity – Radiated disturbance measurements*
CISPR 16-2-3:2010/AMD 1:2010
- [3] CISPR 16-4 (all parts), *Specification for radio disturbance and immunity measuring apparatus and methods*
- [4] APPEL-HANSEN, J., Reflectivity level of radio anechoic chambers, *IEEE Transactions on Antenna Propagation*, vol. AP-21, no.4, July 1973, p. 490-498
- [5] JI, Y., ARTHUR, D. C., and WARNER, F. M., Measurement of above 1 GHz EMC antennas in a fully anechoic room, *CPEM Digest*, June 2008, p. 252-253
- [6] ANSI C63.7-2005, *American National Standard Guide for Construction of Open-Area Test Sites for Performing Radiated Emission Measurements*
- [7] HOLLIS, J.S., LYON, T.J., and CLAYTON, L. (Editors), *Microwave Antenna Measurements*, Scientific Atlanta Inc., Atlanta, GA, U.S.A., 1986
- [8] SANDER, K.F., and REED, G.A.L., *Transmission and Propagation of Electromagnetic Waves*, Cambridge University Press, Cambridge, UK, 1987
- [9] LIVSHITS, B., and HARPELL, K., Note to the open field site characterization, *IEEE EMC Symposium*, Denver, 1992, p. 352-355
- [10] SUGIURA, A., SHIMIZU, Y., and YAMANAKA, Y., Site attenuation for various ground conditions, *IEICE Transactions*, E73, 9 September 1990, p. 1517-1523
- [11] BERQUIST, A.P., and BENNETT, W.S., Ground-plane size and shape experiments for radiated electromagnetic emission measurements, *IEEE EMC Symposium*, Denver, U.S.A., 1992, p. 211-217
- [12] SALTER, M.J., and ALEXANDER, M.J., EMC antenna calibration and the design of an open-field site, *Measurement Science and Technology* (IOP), 2, 1991, p. 510-519
- [13] ANSI C63.5-2006, *American National Standard – Electromagnetic Compatibility – Radiated Emission Measurements in Electromagnetic Interference (EMI) Control – Calibration of Antennas (9 kHz to 40 GHz)*
- [14] FITZGERELL, R.G., Standard linear antennas, 30-1000 MHz, *IEEE Transactions on Antennas and Propagation*, AP-34, 12, December 1986, p. 1425-1429
- [15] SOMLO, P.I., and HUNTER, J.D., *Microwave Impedance Measurement*, Peter Peregrinus Ltd., London, UK, 1985
- [16] BROWN, G.H., and KING, R., High-frequency models in antenna investigations, *IRE Proceedings*, vol. 22, No.4, April 1934, p. 457-480

- [17] BALANIS, C.A., *Antenna Theory, Analysis and Design*, Harper & Row, New York, 1982, Section 7.3.2 (Other text books on antenna theory may provide an expression for the antenna impedance as well)
- [18] ABRAMOWITZ, M., and STEGUN, I.A., *Handbook of Mathematical Functions*, Dover Publications Inc, New York, 1972, Section 5.2 (Reprint of original edition published by National Bureau of Standards 1964)
- [19] SUGIURA, A., Formulation of normalized site attenuation in terms of antenna impedances, *IEEE Transactions on EMC*, EMC-32, 4, 1990, p. 257-263
- [20] NIST Technical Note 1297, *Guidelines for Evaluating and Expressing the Uncertainty of NIST Measurement Results*, 1994 Edition
- [21] ROCKWAY, J.W., LOGAN, J.C., DANIEL, W.S.T., and LI, S.T., *The MININEC system: Microcomputer Analysis of Wire Antennas*, Artech House, London, 1988
- [22] LOGAN, J.C., and BURKE, A.J., *Numerical Electromagnetic Code*, 1981, Naval Ocean Systems Center, CA, USA. NEC2 can be purchased or downloaded free from the internet
- [23] ALEXANDER, M.J., SALTER, M.J., LOADER, B.G., and KNIGHT, D.A., Broadband calculable dipole reference antennas, *IEEE Transactions on EMC*, vol. 44, no. 1, February 2002, p. 45-58
- [24] CAP2010, *Calculable antenna processor*, National Physical Laboratory (NPL), software available as freeware from (www.npl.co.uk/software/calculable-antenna-processor). The executable file "CALTS_DIPOLE.exe," for use as an option for the Annex E calculations, is also available at this site
- [25] MORIOKA, T., and HIRASAWA, K., MoM calculation of the properly defined dipole antenna factor with measured balun characteristics, *IEEE Transactions on EMC*, vol. EMC-53, no. 1, Feb. 2011, p. 233-236
- [26] HARIMA, K., Calibration of broadband double-ridged guide horn antenna by considering phase center, *Proceedings of the 39th European Microwave Conference*, Oct. 2009, Roma, Italy, p. 1610-1613
- [27] CASEY, K.F., Electromagnetic shielding behaviour of wire mesh screens, *IEEE Transactions on EMC*, vol. 30, 1988, p. 298-306
- [28] JCGM 200:2012, *International vocabulary of metrology – Basic and general concepts and associated terms (VIM)*, 3rd edition, 2008 version with minor corrections.
-

SOMMAIRE

AVANT-PROPOS	98
INTRODUCTION	100
1 Domaine d'application	102
2 Références normatives	102
3 Termes, définitions et abréviations	103
3.1 Termes et définitions	103
3.1.1 Termes relatifs à l'antenne	103
3.1.2 Termes de l'emplacement de mesure	105
3.1.3 Autres termes	106
3.2 Abréviations	107
4 Spécifications et procédures de validation des CALTS et des REFTS dans la plage comprise entre 5 MHz et 1 000 MHz	108
4.1 Généralités	108
4.2 Spécification d'un emplacement d'essai pour l'étalonnage d'une antenne (CALTS)	109
4.2.1 Généralités	109
4.2.2 Spécification normative	109
4.3 Spécification de l'antenne d'essai	109
4.3.1 Généralités	109
4.3.2 Détails des caractéristiques exigées de l'antenne d'essai	110
4.4 Procédure de validation d'un emplacement d'essai pour l'étalonnage des antennes	112
4.4.1 Généralités	112
4.4.2 Montage d'essai	113
4.4.3 Fréquences d'essai et hauteurs des antennes de réception	114
4.4.4 Mesures du SIL	115
4.4.5 Mesures du SIL à balayage de fréquence	117
4.4.6 Identification et réduction des réflexions des supports d'antenne	121
4.5 Critères d'acceptation de l'emplacement d'essai pour l'étalonnage des antennes	121
4.5.1 Généralités	121
4.5.2 Incertitudes de mesure	122
4.5.3 Critères d'acceptation	122
4.6 Emplacement d'étalonnage à plan de sol métallique pour les antennes biconiques et les antennes doublets accordées sur une gamme de fréquences comprise entre 30 MHz et 300 MHz	123
4.7 Validation d'un REFTS	124
4.7.1 Généralités	124
4.7.2 Validation pour la polarisation horizontale	124
4.7.3 Validation pour la polarisation verticale	125
4.8 Rapport de validation pour le CALTS et le REFTS	126
4.8.1 Généralités	126
4.8.2 Exigences pour le rapport de validation	126
4.9 Validation de l'emplacement pour l'étalonnage des antennes biconiques et des antennes doublets, et de la partie biconique des antennes hybrides en polarisation verticale	128
4.10 Validation d'un CALTS à l'aide d'une polarisation verticale entre 5 MHz et 30 MHz pour l'étalonnage d'antennes unipolaires	129

4.10.1	Généralités	129
4.10.2	Évaluation de l'incertitude	129
5	Méthodes de validation d'une FAR entre 30 MHz et 18 GHz	130
5.1	Généralités	130
5.2	Procédure de validation entre 1 GHz et 18 GHz	131
5.2.1	Transfert de puissance entre deux antennes	131
5.2.2	Procédure de mesure pour la validation entre 1 GHz et 18 GHz	131
5.2.3	Analyse des résultats	133
5.2.4	Critère d'acceptation	135
5.2.5	Performances de la chambre en fonction de la polarisation	135
5.2.6	Incertitudes	135
5.3	Validation d'une FAR pour l'étalonnage des antennes par d'autres méthodes	136
5.3.1	Généralités	136
5.3.2	Validation d'une enceinte complètement anéchoïque entre 30 MHz et 1 GHz	137
5.3.3	Autre validation d'une FAR pour l'étalonnage des antennes LPDA au-dessus de 1 GHz	137
5.3.4	Autre validation d'une FAR appliquant les mesures dans le domaine temporel au-dessus de 500 MHz	138
6	Méthodes de validation des emplacements pour l'étalonnage des antennes directives	138
6.1	Validation de l'emplacement d'étalonnage en limitant la réflexion sur le sol par une hauteur ≥ 4 m	138
6.1.1	Procédure de mesure	138
6.1.2	Incertitudes	140
6.2	Validation de l'emplacement d'étalonnage en limitant la réflexion sur le sol à l'aide d'un absorbant	141
7	Validation d'emplacement par comparaison des facteurs d'antenne et application de la méthode d'emplacement de référence (RSM) pour évaluer l'incidence d'incertitude d'un emplacement SAC	142
7.1	Utilisation de la méthode d'antenne normalisée (SAM) pour la validation d'emplacement par comparaison des facteurs d'antenne	142
7.2	Application de la méthode d'emplacement de référence (RSM) pour évaluer l'incidence d'incertitude de mesure d'un emplacement d'étalonnage composé d'une enceinte semi-anéchoïque	143
Annexe A	(informative) Caractéristiques et validation du CALTS	146
A.1	Généralités	146
A.2	Plan réfléchissant	146
A.2.1	Construction du plan réfléchissant	146
A.2.2	Effets des bords du plan et environnement du plan	147
A.3	Matériels associés	148
A.4	Essai de validation rigoureux du CALTS supplémentaire	148
A.4.1	Généralités	148
A.4.2	Mesures par balayage en hauteur de l'antenne	148
A.4.3	Mesures par balayage en fréquence	150
Annexe B	(informative) Considérations sur l'antenne d'essai	152
B.1	Généralités	152
B.2	Exemple et vérification d'une antenne d'essai	152
B.3	Détermination des propriétés du symétriseur	154
B.3.1	Symétriseur idéal sans perte	154
B.3.2	Relations entre les propriétés du symétriseur et les paramètres S	156

B.3.3	Mesure des pertes d'insertion.....	157
Annexe C (informative)	Théorie des antennes et du SIL.....	159
C.1	Relations analytiques.....	159
C.1.1	Généralités.....	159
C.1.2	Longueur totale de l'antenne d'essai.....	160
C.1.3	SIL théorique.....	161
C.1.4	Exemple de calculs.....	165
C.2	Calculs selon la méthode des moments.....	169
C.2.1	Généralités.....	169
C.2.2	Impédance d'entrée de l'antenne.....	170
C.2.3	Longueur totale de l'antenne d'essai.....	170
C.2.4	Calculs du SIL.....	170
C.2.5	Calculs du facteur d'antenne (FA).....	178
Annexe D (informative)	Programme Pascal utilisé en C.1.4.....	183
Annexe E (informative)	Liste de vérification pour la procédure de validation.....	187
Annexe F (informative)	Éléments démontrant que la conicité du champ de la méthode de validation d'emplacement à polarisation verticale a un effet négligeable sur le facteur d'antenne mesuré.....	189
F.1	Examen de la conicité du champ vertical.....	189
F.2	Étalonnage des antennes biconiques à polarisation verticale.....	189
Bibliographie.....		191
Figure 1	– Diagramme schématique de l'antenne d'essai.....	110
Figure 2	– Réglage d'un élément filaire télescopique à la longueur L_{we}	111
Figure 3	– Détermination de $V_{r1}(f)$ ou $V_{r2}(f)$	115
Figure 4	– Détermination de $V_s(f)$, les antennes filaires étant dans leur position spécifiée.....	116
Figure 5	– Exemple de NSIL: polarisation horizontale, hauteur d'antenne de 2 m, séparation de 10 m.....	119
Figure 6	– NSIL de quatre paires de doublets calculés séparés de 10 m et utilisant les hauteurs alternatives de la paire 600 MHz à 1 000 MHz conformément au Tableau 5.....	120
Figure 7	– Relation entre les grandeurs utilisées dans le critère d'acceptation du SIL.....	123
Figure 8	– Montage de validation d'emplacement des étalonnages d'antenne CEM au-dessus de 1 GHz dans une enceinte complètement anéchoïque, montrant également la distance entre les centres de phase des antennes.....	132
Figure 9	– Exemples de tracé de $[A_{im}(d) - A_{im}(d_3 m)]$ en dB en fonction de la distance en m entre 1 GHz et 18 GHz par incréments de 1 GHz, corrigé pour les centres de phase des antennes LPDA et des antennes à cornet.....	135
Figure 10	– Exemple de montage d'antenne pour un étalonnage d'antenne LPDA dans la gamme de fréquences au-dessus de 200 MHz.....	139
Figure 11	– Exemple de SIL par rapport à la hauteur d'antenne mesurée à 200 MHz avec deux antennes LPDA à polarisation verticale, à 2,5 m de distance entre leurs points médians au-dessus du plan de sol réfléchissant d'un OATS.....	140
Figure 12	– Illustration des distances entre une antenne cornet d'émission et une antenne de réception omnidirectionnelle et un bâtiment réfléchissant, et les chemins de signal A et B.....	140
Figure B.1	– Exemple d'antenne d'essai.....	154
Figure B.2	– Diagramme de la mesure de S_{11} et S_{12} , et de S_{22} et S_{21} , lorsque le générateur et la charge sont permutés.....	155

Figure B.3 – Schéma de principe pour la détermination de la perte d'insertion $A_1(f)$	157
Figure B.4 – Schéma de principe pour la détermination de la perte d'insertion $A_2(f)$	157
Figure C.1 – Modèle de réseau pour les calculs de A_{iC}	162
Figure C.2 – Circuit équivalent au réseau de la Figure C.1	162
Figure C.3 – Définition des couplages mutuels, tensions aux bornes d'alimentation et courants dans les antennes, pour les antennes situées au-dessus du plan réfléchissant et pour leurs images	163
Figure C.4 – Combinaison en cascade des symétriseurs et du réseau à deux accès de l'emplacement.....	171
Figure C.5 – Organigramme présentant la manière d'obtenir le SIL en combinant les paramètres S mesurés du symétriseur et les paramètres S calculés par le NEC du réseau à deux accès de l'emplacement.....	173
Figure F.1 – Uniformité du champ à des hauteurs comprises entre 1 m et 2,6 m, normalisée en fonction du champ à 1,8 m de haut. Antenne monoconique à gain de 15 m	189
Figure F.2 – Moyenne des hauteurs, SAM, B.4.2 de la CISPR 16-1-6:2014.....	190
Tableau 1 – Récapitulatif des méthodes de validation d'emplacement par numéro de paragraphe	101
Tableau 2 – Tolérances maximales pour $d = 10$ m	111
Tableau 3 – Données de fréquence et de hauteur d'antenne de réception fixe pour les mesures du SIL aux 24 fréquences, avec $h_t = 2$ m et $d = 10$ m [spécifiés en 4.4.2.3 et 4.4.2.4]	114
Tableau 4 – Pas de fréquence RSM.....	118
Tableau 5 (informatif) – Hauteurs d'antenne pour les mesures du SIL.....	119
Tableau 6 – Montage de l'antenne pour la mesure du SIL de l'emplacement d'étalonnage à l'aide d'antennes doublets résonantes à polarisation horizontale (voir 4.4.4 pour le SIL à 250 MHz et 300 MHz).....	124
Tableau 7 – Hauteurs d'antenne	125
Tableau 8 – Exemple de budget d'incertitude de mesure du SIL entre deux antennes unipolaires	130
Tableau 9 – Exemple de budget d'incertitude de mesure pour la méthode de validation de la FAR à 1 GHz et au-dessus.....	136
Tableau 10 – Exemple de budget d'incertitude de mesure de la méthode de validation d'emplacement de 6.1.1	141
Tableau 11 – Tolérances maximales pour le montage de validation à $d = 10$ m.....	145
Tableau A.1 – Exemple d'antennes doublets calculés de longueur fixe et de la subdivision de leur gamme de fréquences comprise entre 30 MHz et 1 000 MHz	147
Tableau A.2 – Hauteurs et fréquences centrales de l'antenne de réception.....	150
Tableau C.1 – Exemple de calcul numérique (analytique) de L_a , A_{iC} (voir C.1.4.2)	166
Tableau C.2 – Exemple de calcul numérique (analytique) de ΔA_t (voir C.1.4.3).....	168
Tableau C.3 – Exemple de calcul numérique (analytique) de h_{rC} et Δh_{rC}	169
Tableau C.4 – Exemple de calcul numérique (analytique) de f_C et Δf_t	169
Tableau C.5 – Exemple de calcul par la méthode des moments de A_{iC} pour la polarisation verticale $h_t = 2$ m, à l'exception de $h_t = 2,75$ m à 30 MHz, 35 MHz et 40 MHz	176

COMMISSION ÉLECTROTECHNIQUE INTERNATIONALE
COMITÉ INTERNATIONAL SPÉCIAL DES PERTURBATIONS RADIOÉLECTRIQUES

**SPÉCIFICATION DES MÉTHODES ET DES APPAREILS DE MESURE
DES PERTURBATIONS RADIOÉLECTRIQUES ET DE L'IMMUNITÉ
AUX PERTURBATIONS RADIOÉLECTRIQUES –**

**Partie 1-5: Appareils de mesure des perturbations radioélectriques
et de l'immunité aux perturbations radioélectriques –
Emplacements d'étalonnage d'antenne et emplacements
d'essai de référence pour la plage comprise entre 5 MHz et 18 GHz**

AVANT-PROPOS

- 1) La Commission Electrotechnique Internationale (IEC) est une organisation mondiale de normalisation composée de l'ensemble des comités électrotechniques nationaux (Comités nationaux de l'IEC). L'IEC a pour objet de favoriser la coopération internationale pour toutes les questions de normalisation dans les domaines de l'électricité et de l'électronique. A cet effet, l'IEC – entre autres activités – publie des Normes internationales, des Spécifications techniques, des Rapports techniques, des Spécifications accessibles au public (PAS) et des Guides (ci-après dénommés "Publication(s) de l'IEC"). Leur élaboration est confiée à des comités d'études, aux travaux desquels tout Comité national intéressé par le sujet traité peut participer. Les organisations internationales, gouvernementales et non gouvernementales, en liaison avec l'IEC, participent également aux travaux. L'IEC collabore étroitement avec l'Organisation Internationale de Normalisation (ISO), selon des conditions fixées par accord entre les deux organisations.
- 2) Les décisions ou accords officiels de l'IEC concernant les questions techniques représentent, dans la mesure du possible, un accord international sur les sujets étudiés, étant donné que les Comités nationaux de l'IEC intéressés sont représentés dans chaque comité d'études.
- 3) Les Publications de l'IEC se présentent sous la forme de recommandations internationales et sont agréées comme telles par les Comités nationaux de l'IEC. Tous les efforts raisonnables sont entrepris afin que l'IEC s'assure de l'exactitude du contenu technique de ses publications; l'IEC ne peut pas être tenue responsable de l'éventuelle mauvaise utilisation ou interprétation qui en est faite par un quelconque utilisateur final.
- 4) Dans le but d'encourager l'uniformité internationale, les Comités nationaux de l'IEC s'engagent, dans toute la mesure possible, à appliquer de façon transparente les Publications de l'IEC dans leurs publications nationales et régionales. Toutes divergences entre toutes Publications de l'IEC et toutes publications nationales ou régionales correspondantes doivent être indiquées en termes clairs dans ces dernières.
- 5) L'IEC elle-même ne fournit aucune attestation de conformité. Des organismes de certification indépendants fournissent des services d'évaluation de conformité et, dans certains secteurs, accèdent aux marques de conformité de l'IEC. L'IEC n'est responsable d'aucun des services effectués par les organismes de certification indépendants.
- 6) Tous les utilisateurs doivent s'assurer qu'ils sont en possession de la dernière édition de cette publication.
- 7) Aucune responsabilité ne doit être imputée à l'IEC, à ses administrateurs, employés, auxiliaires ou mandataires, y compris ses experts particuliers et les membres de ses comités d'études et des Comités nationaux de l'IEC, pour tout préjudice causé en cas de dommages corporels et matériels, ou de tout autre dommage de quelque nature que ce soit, directe ou indirecte, ou pour supporter les coûts (y compris les frais de justice) et les dépenses découlant de la publication ou de l'utilisation de cette Publication de l'IEC ou de toute autre Publication de l'IEC, ou au crédit qui lui est accordé.
- 8) L'attention est attirée sur les références normatives citées dans cette publication. L'utilisation de publications référencées est obligatoire pour une application correcte de la présente publication.
- 9) L'attention est attirée sur le fait que certains des éléments de la présente Publication de l'IEC peuvent faire l'objet de droits de brevet. L'IEC ne saurait être tenue pour responsable de ne pas avoir identifié de tels droits de brevets et de ne pas avoir signalé leur existence.

La Norme internationale CISPR 16-1-5 a été établie par le sous-comité A du CISPR: Mesures des perturbations radioélectriques et méthodes statistiques.

Cette seconde édition annule et remplace la première édition publiée en 2003 et son Amendement 1 (2012). Elle constitue une révision technique.

Elle a le statut de publication fondamentale en CEM en accord avec le Guide 107 de l'IEC, *Compatibilité électromagnétique – Guide pour la rédaction des publications sur la compatibilité électromagnétique*.

Cette édition inclut les modifications techniques majeures suivantes par rapport à l'édition précédente:

- des méthodes de validation d'autres emplacements couverts dans le CISPR 16-1-6 sont ajoutées;
- des tailles de pas plus petites sont spécifiées pour les mesures par balayage de fréquence;
- la dimension minimale du plan de sol a été augmentée;
- d'autres améliorations techniques et éditoriales diverses sont incluses.

Le texte de la présente Norme est issu des documents suivants:

FDIS	Rapport de vote
CISPR/A/1086A/FDIS	CISPR/A/1097/RVD

Le rapport de vote indiqué dans le Tableau ci-dessus donne toute information sur le vote ayant abouti à l'approbation de cette norme.

Une liste de toutes les parties du CISPR 16, présentées sous le titre général *Spécifications des méthodes et des appareils de mesure des perturbations radioélectriques et de l'immunité aux perturbations radioélectriques* peut être consultée sur le site web de l'IEC.

Cette publication a été rédigée selon les Directives ISO/IEC, Partie 2.

Le comité a décidé que le contenu de cette publication ne sera pas modifié avant la date de stabilité indiquée sur le site web de l'IEC sous "<http://webstore.iec.ch>" dans les données relatives à la publication recherchée. A cette date, la publication sera

- reconduite,
- supprimée,
- remplacée par une édition révisée, ou
- amendée.

IMPORTANT – Le logo "colour inside" qui se trouve sur la page de couverture de cette publication indique qu'elle contient des couleurs qui sont considérées comme utiles à une bonne compréhension de son contenu. Les utilisateurs devraient, par conséquent, imprimer cette publication en utilisant une imprimante couleur.

Le contenu du corrigendum d'août 2020 a été pris en considération dans cet exemplaire.

INTRODUCTION

La présente Norme décrit les procédures de validation des emplacements d'étalonnage (calibration test site, CALTS, en anglais) utilisés pour étalonner les antennes dans la gamme de fréquences comprise entre 5 MHz et 18 GHz. Les procédures d'étalonnage d'antenne associées sont décrites dans la CISPR 16-1-6.

Compte tenu des problèmes liés à la suppression des réflexions sur le sol dans la gamme de fréquences comprise entre 30 MHz et 200 MHz, la principale fonction d'un plan de sol réfléchissant concerne l'étalonnage d'antennes doublets, biconiques et hybrides sur la gamme de fréquences pour lesquelles leurs caractéristiques de plan H sont uniformes. Le facteur d'antenne en espace libre, F_a , des antennes doublets peut être mesuré dans un environnement en espace libre au-dessus de 200 MHz. Compte tenu de la difficulté à réduire les réflexions des objets entourant une antenne, et en particulier la surface du sol, un plan de sol métallique plat est utilisé pour assurer la reproductibilité des résultats et permettre d'éliminer précisément et de manière mathématique le signal réfléchi sur le sol.

Les exigences de construction d'un CALTS sont données à l'Annexe A. Les spécifications et procédures de validation d'un CALTS sont données à l'Article 4. Le moyen le plus précis de valider un CALTS consiste à utiliser des antennes doublets calculées, qui sont à la base de la procédure de validation présentée dans cette Norme. Les principes de conception des antennes calculées sont donnés à l'Annexe B, et la théorie et les méthodes de calcul de l'affaiblissement d'insertion de l'emplacement (SIL) sont données à l'Annexe C et à l'Annexe D.

Les procédures de validation des autres emplacements d'étalonnage d'antenne sont données de l'Article 5 à l'Article 7. Si une méthode d'étalonnage d'antenne utilise la réflexion sur le sol, un CALTS est exigé. Les méthodes de validation sont résumées au Tableau 1 avec une référence aux méthodes d'étalonnage d'antenne associées dans la CISPR 16-1-6.

Toutes les méthodes de validation d'emplacement impliquent de mesurer l'affaiblissement d'insertion de l'emplacement entre deux antennes. Il est essentiel que des réflexions provenant de supports d'antenne ne compromettent pas outre mesure la validation de l'emplacement lui-même. Voir A.3 pour les lignes directrices connexes.

**Tableau 1 – Récapitulatif des méthodes de validation d'emplacement
par numéro de paragraphe**

Emplacement(s) d'étalonnage	Méthode(s) de validation CISPR 16-1-5 Paragraphe	Méthode(s) d'étalonnage CISPR 16-1- 6:2014 Paragraphe	Gamme de fréquences MHz	Type(s) d'antenne	Polarisation	Notes
1 CALTS pour les unipolaires	4.10	G.1	5 à 30	Unipolaire	PV	Avec une tolérance de ± 1 dB
2 CALTS ou SAC ^a	4, 7.2	8,4	30 à 1 000	Biconique, LPDA, hybride	PH	SSM
3 CALTS ou SAC	4	9.2.2	30 à 300	Biconique, hybride, doublet	PH ou PV	Grande hauteur ou avec absorbant au sol
4 FAR	5.3.2	9.2.2	30 à 300 60 à 1 000	Biconique, hybride, doublet Biconique, doublet	PH	
5 REFTS CALTS	4.7 4.9	9,3	30 à 300	Biconique, hybride	PV	
6 Espace libre	6.1	9.4.2 9.4.3	200 à 18 000	LPDA, hybride, cornet	PV	PH avec hauteur plus importante
7 Espace libre	6.2	9.4.4	200 à 18 000	LPDA, hybride, cornet	PV (ou PH)	Avec absorbant au sol
8 FAR	5.2.2 5.3.3	9,5	1 000 à 18 000	Cornet, LPDA	PH ou PV	
9 FAR	5.3.2	9.2 et 9.4	140 à 1 000	LPDA, hybride	PH ou PV	
10 CALTS	4.6	B.4, B.5	30 à 300	Biconique, doublet	PH	
11 Transfert de propriétés d'un emplacem ent validé vers un emplacem ent non validé par les méthodes d'autres articles	7.1 (à l'exclusion de la 5.3 FAR)	A.9.4	30 et au- dessus	Tous, sauf l'unipolaire ou la boucle	PH ou PV	Utilisé principalemen t pour la SAM et la FAR, pour les types d'antenne et les fréquences particuliers, sauf 5.3

^a Un CALTS est bien spécifié comme étant dépourvu d'obstacles réfléchissants, et si les supports d'antenne présentent des réflexions négligeables, le plan de sol lui-même est susceptible de donner des résultats conformes aux performances théoriques supérieures à 0,5 dB. Toutefois, s'agissant d'une Chambre Semi Anechoïque (SAC), il est important que l'ensemble du critère d'acceptation admis de 1 dB ne soit pas repris par les réflexions murales, ne laissant aucune latitude à d'autres composantes d'incertitude, telles que la réduction des réflexions provenant des mâts et des câbles.

SPÉCIFICATION DES MÉTHODES ET DES APPAREILS DE MESURE DES PERTURBATIONS RADIOÉLECTRIQUES ET DE L'IMMUNITÉ AUX PERTURBATIONS RADIOÉLECTRIQUES –

Partie 1-5: Appareils de mesure des perturbations radioélectriques et de l'immunité aux perturbations radioélectriques – Emplacements d'étalonnage d'antenne et emplacements d'essai de référence pour la plage comprise entre 5 MHz et 18 GHz

1 Domaine d'application

La présente partie de la CISPR 16 spécifie les exigences relatives aux emplacements d'étalonnage dans la gamme de fréquences comprise entre 5 MHz et 18 GHz utilisée pour étalonner l'antenne conformément à la CISPR 16-1-6. Elle spécifie également les exigences relatives aux emplacements d'essai de référence (REFTS) utilisés pour valider les emplacements d'essais de conformité (COMTS) dans la gamme de fréquences comprises entre 30 MHz et 1 000 MHz conformément à la CISPR 16-1-4.

Elle a le statut de Norme fondamentale en CEM en accord avec le Guide 107 de l'IEC, *Compatibilité électromagnétique – Guide pour la rédaction des publications sur la compatibilité électromagnétique*.

Les spécifications de l'instrumentation de mesure sont données dans la CISPR 16-1-1 [1]¹ et la CISPR 16-1-4. Des informations supplémentaires et générales sur les incertitudes sont données dans la CISPR 16-4 [3], qui peut également être utile pour établir les estimations de l'incertitude pour les processus d'étalonnage des antennes et les mesures de validation d'emplacement.

2 Références normatives

Les documents suivants sont cités en référence de manière normative, en intégralité ou en partie, dans le présent document et sont indispensables pour son application. Pour les références datées, seule l'édition citée s'applique. Pour les références non datées, la dernière édition du document de référence s'applique (y compris les éventuels amendements).

CISPR 16-1-4:2010, *Spécifications des méthodes et des appareils de mesure des perturbations radioélectriques et de l'immunité aux perturbations radioélectriques – Partie 1-4: Appareils de mesure des perturbations radioélectriques et de l'immunité aux perturbations radioélectriques – Antennes et emplacements d'essai pour les mesures des perturbations rayonnées*

CISPR 16-1-4:2010/AMD 1:2012

CISPR 16-1-6:2014, *Spécifications des méthodes et des appareils de mesure des perturbations radioélectriques et de l'immunité aux perturbations radioélectriques – Partie 1-6: Appareils de mesure des perturbations radioélectriques et de l'immunité aux perturbations radioélectriques – Etalonnage des antennes CEM*

IEC 60050 (toutes les parties), *Vocabulaire électrotechnique international (disponible à l'adresse <<http://www.electropedia.org>>)*

¹ Les chiffres entre crochets se réfèrent à la bibliographie.

3 Termes, définitions et abréviations

3.1 Termes et définitions

Pour les besoins du présent document, les termes et définitions donnés dans l'IEC 60050, ainsi que les suivants s'appliquent.

NOTE Les termes complets et les abréviations qui ne sont pas encore donnés en 3.1 figurent en 3.2.

3.1.1 Termes relatifs à l'antenne

3.1.1.1

antenne

transducteur qui convertit l'énergie électromagnétique guidée de la ligne d'alimentation en onde rayonnée, et inversement

Note 1 à l'article: Dans le contexte de la présente Norme, s'agissant des antennes pour lesquelles un symétriseur est intrinsèque au fonctionnement de l'antenne, le terme "antenne" inclut le symétriseur.

3.1.1.2

antenne biconique

antenne symétrique constituée par deux éléments rayonnants coniques de même axe et opposés par leurs sommets qui constituent les bornes d'alimentation

Note 1 à l'article: Dans le cadre d'une utilisation dans la bande VHF, les antennes biconiques sont en général composées de deux grilles coniques. Chaque grille est souvent dotée d'une traverse qui raccorde le conducteur central et l'un des câbles périphériques afin d'éliminer une résonance à bande étroite. Ces traverses de raccourcissement peuvent affecter les caractéristiques de l'antenne au-dessus de 215 MHz. Pour plus de détails, voir également A.4.3 de la CISPR 16-1-6:2014.

3.1.1.3

antenne à large bande

antenne dont certaines caractéristiques sont comprises dans des limites considérées comme acceptables dans une large bande de fréquences

3.1.1.4

antenne calculée

antenne semblable à une antenne doublet dont le facteur, ainsi que l'affaiblissement d'insertion de l'emplacement entre une paire d'antennes, peut être calculé par des techniques analytiques ou numériques (méthode des moments) en fonction des dimensions, de l'impédance de charge et des paramètres géométriques, et qui peut être vérifié par des mesures

Note 1 à l'article: Un exemple d'antenne calculée est présenté à l'Annexe B. Un autre exemple est une antenne simple boucle.

Note 2 à l'article: Les effets du symétriseur sont en général pris en compte par les mesures des paramètres S du réseau de symétriseurs ou la structure de symétriseur peut être modélisée.

3.1.1.5

antenne à cornet

antenne composée d'une section guide d'ondes dans laquelle la section transversale augmente vers une extrémité ouverte, appelée ouverture

Note 1 à l'article: Les antennes à cornet pyramidales à guide d'ondes rectangulaire sont fréquentes dans la gamme des hyperfréquences supérieures à environ 1 GHz. Les antennes à cornet à guide d'ondes à redans (DRH; parfois également appelée cornet DRG (double-ridged-guide - guide à redans)) couvrent une très large gamme de fréquences. Le lobe principal de certaines antennes DRH se divise en plusieurs faisceaux à des fréquences plus élevées.

3.1.1.6

antenne hybride

antenne composée d'une section de réseau de doublets log-périodiques à élément filaire et d'un doublet à large bande

Note 1 à l'article: L'élément le plus long de la section LPDA (voir 3.1.1.7) est en général résonant à environ 200 MHz, et le bras est rallongé à l'extrémité du circuit ouvert pour alimenter la section de doublet à large bande raccordée (biconique ou en forme de nœud papillon, par exemple). Dans la gamme comprise entre 30 MHz et 200 MHz, le doublet à large bande donne des performances analogues à celles d'une antenne biconique, notamment dans la variation du facteur d'antenne en fonction de la hauteur.

Note 2 à l'article: Une inductance à noyau commun est en général utilisée à l'extrémité du circuit ouvert (c'est-à-dire à l'arrière) du bras pour minimiser les courants RF parasites (non voulus) sur le conducteur extérieur du câble coaxial qui pénètrent dans le récepteur de mesure.

3.1.1.7

antenne de réseau de doublets log-périodiques antenne LPDA

antenne composée d'un réseau d'éléments de doublet linéaires dont les dimensions et les espacements augmentent de manière logarithmique avec la fréquence entre le bout et l'extrémité arrière de l'antenne

3.1.1.8

antenne doublet résonante antenne doublet accordée

antenne composée de deux conducteurs droits et colinéaires de même longueur, placés bout à bout, séparés par un petit espacement composant une alimentation équilibrée, chacun des conducteurs ayant une longueur d'environ un quart de longueur d'onde de telle sorte qu'à la fréquence spécifiée, l'impédance d'entrée de l'antenne mesurée de part et d'autre de l'espacement présente une réactance nulle quand le doublet est situé en espace libre

Note 1 à l'article: Une antenne doublet résonante est également une antenne calculée (voir 3.1.1.4). Dans la présente Norme, le terme "doublet linéaire" implique "deux conducteurs droits et colinéaires", par opposition au doublet biconique ou au réseau de doublets, comme dans l'antenne LPDA.

3.1.1.9

antenne normalisée STA

antenne dont le FA est calculé ou mesuré précisément

Note 1 à l'article: La précision peut être obtenue par une antenne calculée comme indiqué en 4.3. D'autre part, une STA peut être une antenne s'apparentant à l'AEE qui a été étalonné à des incertitudes inférieures à celles exigées pour l'AEE (par la méthode des trois antennes, par exemple).

Note 2 à l'article: Une STA est utilisée pour les mesures réalisées par la méthode de l'antenne normalisée (voir 4.3.5, etc. de la CISPR 16-1-6:2014). Une STA est mécaniquement robuste, de sorte que la reproductibilité du FA à des valeurs supérieures à $\pm 0,2$ dB est maintenue avec l'utilisation continue de la STA. Les critères de symétrie et de polarisation croisée applicables à la STA sont indiqués en 6.3.2 et 6.3.3 de la CISPR 16-1-6:2014.

3.1.1.10

symétriseur

dispositif permettant de transformer une ligne de transmission non symétrique en une ligne de transmission symétrique, et inversement

Note 1 à l'article: Un symétriseur est utilisé, par exemple, pour coupler des éléments d'antenne symétriques à une ligne d'alimentation non symétrique (un câble coaxial, par exemple). Un symétriseur peut donner une transformation d'impédance inhérente différente de l'unité.

3.1.1.11

antenne d'essai

combinaison de l'antenne doublet résonante et du symétriseur spécifié

Note 1 à l'article: La définition concerne la présente Norme uniquement (voir également 3.1.1.8 antenne doublet résonante et 3.1.1.12 antenne filaire). L'antenne d'essai est décrite en 4.3.

3.1.1.12

antenne filaire

structure spécifiée constituée d'un ou plusieurs fils ou tringles métalliques destinée à émettre ou recevoir des ondes électromagnétiques

Note 1 à l'article: Une antenne filaire ne contient pas de symétriseur.

Note 2 à l'article: Dans le contexte de la présente Norme, une antenne filaire connectée à un symétriseur est également appelée "antenne d'essai" (voir 3.1.1.11).

3.1.1.13

facteur d'antenne

F_a

rapport entre le champ électrique d'une onde plane incidente provenant de la direction correspondant à l'axe mécanique (c'est-à-dire l'axe principal de l'antenne) et la tension induite sur une charge spécifiée connectée à l'antenne, mesurée dans un environnement en espace libre

Note 1 à l'article: L'abréviation FA est utilisée comme terme général pour indiquer le facteur d'antenne, alors que F_a indique le FA de l'axe dans l'espace libre. Le FA est affecté par l'impédance de charge (en général de 50 Ω) connectée à l'antenne et dépend de la fréquence. Le FA peut être affecté par le couplage mutuel de l'antenne au plan de sol et dépend de la directivité. Pour plus de détails, voir les définitions et 4.2 de la CISPR 16-1-6:2014.

Note 2 à l'article: La dimension physique du FA est exprimée en dB par rapport à 1/m [dB(m⁻¹)]. Dans les mesures d'émissions rayonnées, si F_a est connu, le champ incident, E , peut être calculé à partir d'un relevé, V , d'un récepteur de mesure connecté à l'antenne comme suit:

$$E = V + F_a$$

où E est exprimé en dB(μ V/m), V en dB(μ V) et F_a en dB(m⁻¹).

3.1.2 Termes de l'emplacement de mesure

3.1.2.1

emplacement d'étalonnage

emplacement dans lequel une antenne est étalonnée

Note 1 à l'article: Les emplacements d'étalonnage incluent un CALTS (voir 3.1.2.2) sur lequel la réflexion sur le sol est volontairement utilisée, un FAR (voir 3.1.2.5) et un emplacement d'étalonnage en espace libre (voir l'Article 6) dans lequel les antennes sont suffisamment élevées au-dessus du sol pour réduire la réflexion par le sol. Pour chacun d'eux, les réflexions provenant de toutes les directions satisfont aux critères d'acceptation d'emplacement appropriés pour l'étalonnage d'antenne.

3.1.2.2

emplacement d'essai pour l'étalonnage

CALTS

emplacement d'étalonnage doté d'un plan de sol métallique et d'un affaiblissement d'insertion de l'emplacement en polarisation horizontale du champ électrique très précisément spécifié

Note 1 à l'article: Un CALTS est utilisé pour mesurer le FA en fonction de la hauteur, ainsi que le FA en espace libre par la méthode de l'emplacement normalisé.

Note 2 à l'article: Un CALTS peut également être validé pour: a) la polarisation verticale à l'aide de la méthode indiquée en 4.7 (voir également la définition 3.1.2.7 de REFTS); et b) utiliser d'autres méthodes d'étalonnage CISPR 16-1-6 spécifiques à l'aide des méthodes indiquées en 4.9 et en 4.10 (voir également le Tableau 1).

3.1.2.3

emplacement d'essai de conformité

COMTS

environnement qui garantit des résultats de mesure valides et reproductibles des perturbations en champ électrique produites par des appareils en essai afin d'évaluer leur conformité à des limites

Note 1 à l'article: Les exigences d'un COMTS, y compris celles relatives à la validation d'emplacement, sont spécifiées dans la CISPR 16-1-4.

3.1.2.4**espace libre**

environnement dans lequel il a été démontré que les effets d'un obstacle, y compris le sol, sur les signaux rayonnés passant directement entre deux antennes sont inférieurs à une incidence d'incertitude spécifiée pour la mesure de F_a

3.1.2.5**enceinte complètement anéchoïque****FAR**

enceinte dont les six surfaces intérieures sont garnies d'un matériau absorbant l'énergie aux fréquences radioélectriques (c'est-à-dire un absorbant RF) qui atténue l'énergie électromagnétique dans la gamme de fréquences concernée

Note 1 à l'article: La spécification d'uniformité de champ d'une FAR adaptée à un étalonnage d'antenne est plus précise que celle de la mesure des perturbations rayonnées CEM de la CISPR 16-1-4. Si les interférences RF ambiantes empêchent d'obtenir le rapport signal/bruit exigé, il convient de placer la FAR à l'intérieur d'une enceinte blindée. Les critères d'acceptation d'emplacement sont donnés dans les méthodes de validation de la FAR de la présente Norme.

3.1.2.6**emplacement d'essai en espace libre idéal****OATS idéal**

emplacement d'essai en espace libre ayant un plan de sol parfaitement plat, parfaitement conducteur et de surface infinie, et ne comportant pas d'objet réfléchissant à l'exception du plan de sol

Note 1 à l'article: Un emplacement d'essai en espace libre (OATS) idéal est un concept théorique qui est utilisé ans le calcul de l'affaiblissement d'insertion de l'emplacement normalisé théorique des emplacements à plan de sol.

Note 2 à l'article: Pour un OATS idéal, la valeur absolue du coefficient de réflexion du plan de sol est $r = 1$, et la différence de phase des ondes électromagnétiques entrantes et réfléchies au niveau du plan de sol est $\phi = \pi$ radians pour la polarisation horizontale, et nulle pour la polarisation verticale.

3.1.2.7**emplacement d'essai de référence****REFTS**

emplacement d'essai à plan de sol métallique, présentant un affaiblissement d'insertion de l'emplacement en polarisation horizontale et verticale du champ électrique très précisément spécifié

3.1.3 Autres termes**3.1.3.1****récepteur de mesure**

instrument de mesure du signal, tel qu'un récepteur pas à pas, un analyseur de spectre ou la partie réceptrice d'un analyseur de réseau, qui satisfait aux exigences de sélectivité et de linéarité de la méthode d'étalonnage correspondante

Note 1 à l'article: Le terme "récepteur de mesure" peut également englober l'ensemble des fonctions d'un analyseur de réseau vectoriel. Dans la présente Norme, le terme "signal" signifie un signal sinusoïdal RF d'amplitude constante. Pour les besoins de l'étalonnage de l'antenne et de la validation de l'emplacement, cette définition est une modification de celle figurant dans la CISPR 16-1-1 [1] et la CISPR 16-2-3[2].

3.1.3.2**nul**

nœud d'un niveau de signal résultant de la somme vectorielle des signaux directs et reflétés sur le sol au niveau de l'antenne de réception, le niveau étant considérablement inférieur à la somme en phase de ces signaux

Note 1 à l'article: Le creux du niveau de signal sur l'axe de certaines antennes DRH est parfois appelé "nul". Cette définition ne s'applique pas à ces creux.

Note 2 à l'article: L'IEC 60050-726:1982, 726-02-07 définit le nœud avec un nœud synonyme (d'une onde stationnaire) comme étant le lieu des points d'un milieu de propagation où, lorsque deux ondes produisent une onde stationnaire, la somme vectorielle des valeurs, pour ces deux ondes, d'une même grandeur de champ spécifiée a un module minimal.

3.1.3.3

affaiblissement de l'emplacement

SA

affaiblissement d'insertion de l'emplacement minimal mesuré entre deux antennes adaptées en polarisation situées au-dessus d'un plan de sol conducteur d'un emplacement d'étalonnage lorsqu'une antenne est déplacée verticalement sur une plage de hauteurs spécifiées, et que l'autre est placée à une hauteur fixe

Note 1 à l'article: Les termes "affaiblissement d'insertion de l'emplacement" (voir 3.1.3.4) et "affaiblissement de l'emplacement" décrivent essentiellement la même mesure. Toutefois, le terme "affaiblissement de l'emplacement" (SA) est utilisé dans le cadre d'une recherche d'un "affaiblissement d'insertion de l'emplacement" (SIL) minimal entre une paire d'antennes lorsqu'une antenne a été analysée à une certaine hauteur au-dessus du plan de sol.

3.1.3.4

affaiblissement d'insertion de l'emplacement

SIL

perte de transmission entre deux antennes adaptées en polarisation lorsqu'une connexion électrique directe par l'intermédiaire de câbles et d'atténuateurs entre la sortie du générateur de signal et l'entrée du récepteur de mesure est remplacée par une antenne d'émission et une antenne de réception placées aux positions spécifiées sur un emplacement d'étalonnage

Note 1 à l'article: Dans la présente Norme, le symbole $A_{i,c}$ signifie le SIL théorique en dB, et le symbole $A_{i,m}$ le SIL mesuré en dB.

Note 2 à l'article: Le symbole A_i utilise A comme symbole conventionnel pour l'affaiblissement, l'indice i indiquant l'insertion. Pour A_i , l'indice ne doit pas être confondu avec l'utilisation qui est faite de i dans la présente Norme en tant que symbole d'indice ($i = 1, 2, 3$ par exemple).

Note 3 à l'article: Le SIL, A_i , en dB, est donné par la différence entre les tensions reçues, V_{DIRECT} et V_{SITE} , en dB(μ V), mesurées avec la connexion directe et avec les antennes connectées, respectivement:

$$A_i = V_{\text{DIRECT}} - V_{\text{SITE}}$$

Le SIL est défini comme un facteur de perte, la géométrie d'antenne permettant d'obtenir le SIL minimal (voir également 3.1.3.3 affaiblissement de l'emplacement) signifie que le signal maximal est reçu.

3.2 Abréviations

Les abréviations suivantes, qui ne sont pas données en 3.1, sont utilisées dans la présente Norme.

AEE	antenne en étalonnage
ANE	affaiblissement normalisé de l'emplacement (Normalized Site Attenuation)
CEM	compatibilité électromagnétique
DRH	Double-Ridged Horn (antenne à cornet à guide d'ondes à redans)
EEE	Equipment Under Test (équipement en essai)
EM	électromagnétique
FA	facteur d'antenne
MdM	méthode des moments
NSIL	Normalized Site Insertion Loss (affaiblissement d'insertion normalisé de l'emplacement)
OATS	open-area test site (emplacement de test en espace libre)
PH	polarisation horizontale

PV	polarisation verticale
RF	fréquence radio
ROS	rapport d'onde stationnaire
RSM	Reference Site Method (méthode d'emplacement de référence)
RSS	somme quadratique (Root Sum Square)
SAC	semi anechoic chamber (chambre semi-anéchoïque)
SAM	Standard Antenna Method (méthode d'antenne normalisée)
SSM	Standard Site Method (méthode d'emplacement normalisé)
TAM	Three Antenna Method (méthode des trois antennes)
VNA	Vector Network Analyzer (analyseur de réseaux vectoriel)

4 Spécifications et procédures de validation des CALTS et des REFTS dans la plage comprise entre 5 MHz et 1 000 MHz

4.1 Généralités

Cet article spécifie les exigences et les procédures de validation d'un emplacement adapté pour l'étalonnage des antennes au-dessus d'un plan métallique conducteur plat dans la gamme de fréquences comprise entre 5 MHz à 1 000 MHz. Un emplacement d'étalonnage satisfaisant à ces exigences en polarisation horizontale est appelé CALTS. Un CALTS qui satisfait aux exigences en polarisation verticale peut être utilisé en tant que REFTS. La validation d'un CALTS en polarisation verticale pour l'étalonnage des antennes unipolaires est décrite en 4.10.

NOTE 1 Même si un CALTS et un REFTS sont validés selon les mêmes méthodes, un CALTS est utilisé pour l'étalonnage d'antenne, alors qu'un REFTS est utilisé comme référence pour la validation d'un COMTS. Par conséquent, un REFTS peut faire l'objet de critères d'acceptation moins stricts qu'un CALTS.

NOTE 2 Une méthode de validation d'un CALTS en polarisation verticale est donnée en 4.7.3. La validation principale en polarisation horizontale montre que le plan de sol est suffisamment plat et conducteur, et que cette validation s'applique également pour la polarisation horizontale et la polarisation verticale. Toutefois, en polarisation verticale, des réflexions plus importantes peuvent apparaître entre les supports d'antenne et les câbles, la validation en polarisation verticale étant donc nécessaire pour prendre en charge les étalonnages d'antenne qui utilisent cette polarisation.

NOTE 3 Pour les emplacements pour lesquels la méthode d'emplacement normalisé (SSM) est uniquement utilisée pour étalonner les antennes LPDA, c'est-à-dire directives, les antennes doublets ne sont pas indispensables pour la validation de l'emplacement. L'utilisation d'une méthode d'emplacement de référence (voir la CISPR 16-1-4) avec une paire d'antennes LPDA est pertinente. Toutefois, un emplacement validé par des doublets satisfera au critère d'acceptation d'emplacement exigé pour la méthode d'emplacement normalisé réalisée avec des paires composées de trois antennes LPDA.

Une méthode de validation d'une Chambre Semi Anéchoïque (SAC) pour les besoins de l'étalonnage de l'antenne à l'aide de la méthode d'emplacement de référence (cette méthode étant décrite dans la CISPR 16-1-4) est donnée en 7.2.

Les annexes de la présente Norme contiennent les éléments informatifs d'un CALTS et d'un doublet calculée à utiliser dans les procédures de validation du CALTS. Elles donnent les détails d'un modèle analytique permettant de calculer l'affaiblissement d'insertion de l'emplacement (SIL) théorique à l'aide d'antennes doublets résonantes (doublet accordé), avec des exemples numériques et une liste de contrôle pour la procédure de validation. Les annexes décrivent également les calculs par la méthode des moments (MoM) du SIL d'une paire d'antennes doublets calculées à large bande, à partir desquels le FA peut être déduit.

NOTE 4 La mise en œuvre de l'Article 4 est considérablement facilitée par l'utilisation, par exemple, du logiciel CAP2010 [24], décrit en C.2.

4.2 Spécification d'un emplacement d'essai pour l'étalonnage d'une antenne (CALTS)

4.2.1 Généralités

Le CALTS comprend les principaux composants suivants:

- un plan métallique plat et conducteur (le plan réfléchissant);
- une zone libre d'obstacles électromagnétiques entourant le plan réfléchissant.

De plus, les matériels auxiliaires suivants sont nécessaires:

- deux mâts soutenant l'antenne;
- les câbles à connecter à ces antennes; et
- les appareils électroniques, comme un générateur de signal RF et un récepteur de mesure ou un VNA.

La spécification normative d'un CALTS est donnée en 4.2.2 (et le critère d'acceptation associé est indiqué en 4.5.3), l'Annexe A contenant un certain nombre de spécifications informatives servant de guide à la construction et au positionnement d'un CALTS de manière à satisfaire aux critères d'acceptation. L'Annexe A donne également les détails des méthodes d'essai supplémentaires de validation rigoureuse du CALTS (A.4).

4.2.2 Spécification normative

Un CALTS doit satisfaire au critère d'acceptation donné en 4.5.3. Un sous-ensemble de la gamme de fréquences comprise entre 30 MHz et 1 000 MHz peut être utilisé si le CALTS est uniquement utilisé pour l'étalonnage d'antenne dans ce sous-ensemble.

Aux 24 fréquences comprises entre 30 MHz et 1 000 MHz du Tableau 3 (voir 4.4.3.1), mesurées par des doublets calculés (voir 4.4.4), la conformité établit que le plan de sol présente une dimension, une planéité et une conductivité suffisantes, et qu'il est suffisamment exempt de réflexions sur des obstacles à ces 24 fréquences. A toutes les autres fréquences exigées pour l'étalonnage de l'antenne, soit par des doublets calculés soit par la méthode d'emplacement de référence (RSM) selon 4.4.5, la conformité établit la présence ou l'absence d'anomalies dans les caractéristiques électriques du CALTS (réflexions sur des obstacles tels que des bâtiments, des câbles, des clôtures, des arbres, des mâts et des câbles d'antenne, par exemple).

Si la polarisation verticale est utilisée pour étalonner des antennes ou mesurer le SIL de référence, le CALTS doit satisfaire au critère d'acceptation de 4.7.3.5.

NOTE 1 Un essai plus rigoureux de la validation d'emplacement est donné en A.4, dans lequel un signal nul est enregistré dans une recherche de la hauteur ou la fréquence de l'antenne.

NOTE 2 Dans la procédure de validation du CALTS, le matériel utilisé fait également l'objet de spécifications normatives (voir 4.3 et 4.4).

NOTE 3 Le rapport de validation du CALTS (voir 4.8) contiendra des informations relatives à la manière d'assurer la satisfaction aux exigences, de sorte que le CALTS soit censé satisfaire aux exigences dans le cadre de son utilisation réelle.

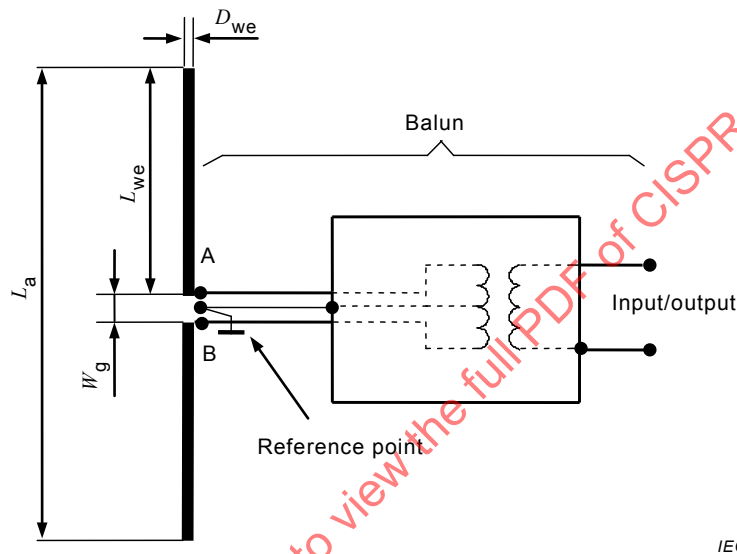
4.3 Spécification de l'antenne d'essai

4.3.1 Généralités

Les antennes qui peuvent être précisément modélisées sont nécessaires au calcul (numérique) de l'affaiblissement d'insertion de l'emplacement théorique A_{iC} utilisé dans la procédure de validation. Par conséquent, l'antenne d'essai doit être un doublet connecté à un symétriseur aux propriétés spécifiées. Les spécifications normatives relatives à l'antenne d'essai sont données en 4.3.2. Un exemple de construction d'une antenne d'essai est donné en Annexe B.

L'antenne d'essai est constituée d'un symétriseur et de deux éléments filaires colinéaires (conducteurs) ayant chacun un diamètre D_{we} et une longueur L_{we} . Ces éléments sont connectés aux deux bornes d'alimentation (A et B sur la Figure 1) au niveau du symétriseur. L'espacement entre ces deux bornes d'alimentation présente une largeur W_g . La distance bout à bout L_a de l'antenne est donnée par $L_a = 2L_{we} + W_g$. Le centre de l'antenne d'essai est le milieu de l'espacement entre les bornes d'alimentation sur la ligne reliant les deux éléments filaires colinéaires.

Le symétriseur a un accès d'entrée/sortie (antenne d'émission/de réception) asymétrique et un accès symétrique aux deux bornes d'alimentation A et B. Par exemple, à la Figure 1, le rôle du symétriseur est indiqué schématiquement par le transformateur symétrique/asymétrique.



Légende

Anglais	Français
Balun	Symétriseur
Reference point	Point de référence
Input/output	Entrée/Sortie

NOTE Le centre de l'antenne d'essai est au milieu de l'espacement sur la ligne reliant les deux éléments filaires.

Figure 1 – Diagramme schématique de l'antenne d'essai

4.3.2 Détails des caractéristiques exigées de l'antenne d'essai

Dans la liste suivante, une grandeur ΔX représente la tolérance maximale admise dans la structure d'antenne par rapport à une valeur de paramètre X . Les spécifications de données quantitatives de ces tolérances sont résumées au Tableau 2.

Tableau 2 – Tolérances maximales pour $d = 10$ m

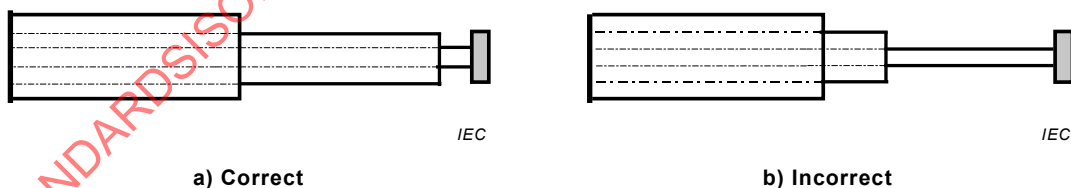
Paramètre (X)	Tolérance maximale (ΔX)	Paragraphe
L_a	$\pm 0,0025 L_a$ ou $\pm 0,001$ (m) si $L_a < 0,400$ (m)	4.3.2 d)
D_{we}	$\pm 0,0025 D_{we}$	4.3.1
Z_{AB}	VSWR $\leq 1,10$	4.3.2 e) 1)
A_b	$\pm 0,3$ dB ^a	4.3.2 e) 2)
ϕ_b	$\pm 4^\circ$ ^a	4.3.2 e) 3)
d	$\pm 0,04$ m	4.4.2.3
h_t	$\pm 0,01$ m	4.4.2.4
h_r	$\pm 0,01$ m	4.4.2.5
f	$\pm 0,001f$	4.4.3.2

^a Les tolérances sur A_b et ϕ_b sont encore à vérifier, mais elles peuvent être assouplies s'il est démontré par expérimentation ou modélisation qu'elles ont un effet $< 0,05$ dB sur A_i . D'autre part, les incertitudes sur A_i peuvent être quantifiées pour des valeurs plus élevées de A_b et ϕ_b .

- a) L'antenne d'essai doit être dotée d'éléments filaires identiques de longueur L_{we} qui peuvent être déconnectés du symétriseur pour permettre la validation des paramètres du symétriseur, et la connexion entre elles des têtes de symétriseur des deux antennes lors des mesures de l'affaiblissement d'insertion de l'emplacement.
- b) Le λ signifiant la longueur d'onde, la longueur bout à bout $L_a(f, D_{we})$ de l'antenne filaire d'environ $\lambda/2$ est déterminée par la condition selon laquelle, à la fréquence f spécifiée et en espace libre, la valeur absolue de la partie imaginaire de l'impédance d'entrée aux bornes d'alimentation est inférieure à 1Ω .

NOTE 1 Si le diamètre des éléments filaires est constant et si $D_{we} \ll L_a$, $L_a(f, D_{we})$ est calculé à partir de l'Équation (C.3) ou à l'aide des calculs par la méthode des moments (voir C.2.3).

NOTE 2 Si le diamètre n'est pas constant (si une antenne télescopique est utilisée, par exemple), $L_a(f)$ est calculée par la MoM (voir C.2.3). Les éléments télescopiques sont accordés de telle sorte que les éléments de plus grand diamètre soient utilisés en premier (voir la Figure 2) et que les calculs MoM puissent tenir compte de cette approche.

Figure 2 – Réglage d'un élément filaire télescopique à la longueur L_{we}

NOTE 3 La formulation analytique de C.1 s'applique uniquement au SIL pour les éléments filaires résonnants. La formulation MoM de C.2 correspond à moins de 0,1 dB au calcul analytique du SIL pour les éléments résonnants au-dessus d'un plan de sol idéal, mais pour les fils minces, la correspondance est supérieure à 0,05 dB (voir C.1.1). La formulation MoM a été appliquée à un élément filaire de longueur fixe sur une grande largeur de bande [12], [23]. La précision des éléments linéaires a été démontrée (voir NOTE 4), mais la conception des éléments pourrait être différente (éléments biconiques à structure ouverte, c'est-à-dire sans cage, par exemple) s'il peut être démontré qu'elle donne des performances équivalentes, voire meilleures.

- c) L'espacement entre les bornes d'alimentation doit être suffisamment petit pour obtenir une correspondance inférieure à 0,4 dB entre le SIL mesuré et le SIL théorique de deux doublets résonnants de même longueur.

NOTE 4 Il a été démontré que la condition du SIL $< 0,4$ dB a été satisfaite à l'aide d'un espacement de $W_g = 9$ mm entre 30 MHz et 599 MHz, et $W_g = 3$ mm entre 600 MHz et 1 GHz.

- d) Si la distance bout à bout $L_a(f)$ de l'antenne filaire réelle est égale, à ΔL_a près, à la longueur $L_a(f)$ spécifiée pour cette antenne (voir le Tableau 2), cette longueur est supposée valide lorsque la largeur l'espacement entre les bornes d'alimentation satisfait au point c).
- e) L'accès symétrique du symétriseur doit présenter:
- 1) une impédance spécifiée Z_{AB} avec un ROS inférieur à la tolérance spécifiée dans le Tableau 2 quand l'accès asymétrique est fermé sur l'impédance Z_e (voir NOTE 6) présentée par le circuit externe (le câble d'alimentation de l'antenne);
 - 2) une symétrie d'amplitude par rapport au point de référence du symétriseur meilleure que ΔA_b dB (voir le Tableau 2) lorsque les deux bornes d'alimentation sont fermées sur une impédance $Z_{AB}/2$ par rapport au point de référence du symétriseur;
 - 3) une symétrie de phase de $(180^\circ \pm \Delta \phi_b)$ (voir le Tableau 2) lorsque les deux bornes d'alimentation sont fermées sur une impédance $Z_{AB}/2$ par rapport au point de référence du symétriseur.

NOTE 5 Les connecteurs aux accès du symétriseur permettent de procéder à des mesures RF aux trois accès du symétriseur. Par exemple, des connecteurs à pousser SMA au niveau des accès d'alimentation filaires peuvent être utilisés.

NOTE 6 L'impédance Z_e présentée par le circuit externe est en général de 50Ω , et il s'agit de la valeur recommandée. Z_{AB} est l'impédance au niveau de l'accès du symétriseur, A et B s'associant aux deux moitiés de l'élément de doublet de la Figure 1. La valeur préférentielle de cette impédance est $Z_{AB} = 100 \Omega$ (réelle), c'est-à-dire l'ajout de 50Ω pour chacune des bornes A et B.

NOTE 7 Les exigences de symétrie sur l'amplitude et la phase permettent de s'assurer que les signaux aux bornes d'alimentation A et B sont suffisamment proches en amplitude et opposés en phase par rapport au point de référence du symétriseur. Lorsque l'accès symétrique satisfait à ces exigences, l'isolation entre les deux bornes d'alimentation est supérieure à 26 dB lorsque l'accès asymétrique est terminé par l'impédance Z_e .

NOTE 8 Dans la mesure du possible, les composants du symétriseur sont orientés de manière à présenter une surface réfléchissante copolarisée minimale par rapport à l'antenne filaire.

NOTE 9 Les composants du symétriseur sont électriquement blindés afin que leurs propriétés (parasites) ne puissent pas être influencées par le milieu extérieur. Le point de référence du symétriseur et la prise de terre de l'accès d'entrée/de sortie du symétriseur sont connectés à ce blindage. Par exemple, un symétriseur est un coupleur hybride de 3 dB avec des sorties à opposition de phase.

- f) Les propriétés du symétriseur exigées en 4.3.2 e) peuvent être déterminées à partir des mesures du paramètre S et, en partie, par des mesures de l'affaiblissement d'insertion. A condition d'intégrer les propriétés du symétriseur dans le calcul A_i , la connexion directe des symétriseurs en 4.4.4.2.1 et 4.4.4.2.3 (c'est-à-dire pour l'affaiblissement d'insertion; voir Figure 3) peut être remplacée par une connexion entre câbles référencée par rapport aux entrées du symétriseur, lorsque l'ensemble des paramètres S du symétriseur est connu.

NOTE 10 Les disparités d'accès présentées aux symétriseurs par le générateur et les récepteurs sont suffisamment limitées à l'aide d'atténuateurs d'équilibrage, le cas échéant.

NOTE 11 Les paramètres S et les mesures de l'affaiblissement d'insertion sont décrits en B.3.1 et B.3.3, respectivement.

- g) Si, lors de la procédure de validation du CALTS, des antennes d'essai ou un matériel d'essai sont utilisés et dont le Z_{AB} et/ou Z_e diffèrent des valeurs recommandées, soit 100Ω et 50Ω respectivement, il convient que cela soit explicitement mentionné dans le rapport de validation (voir 4.8).

4.4 Procédure de validation d'un emplacement d'essai pour l'étalonnage des antennes

4.4.1 Généralités

Dans la procédure de validation du CALTS, l'affaiblissement d'insertion de l'emplacement mesuré A_{im} est comparé à l'affaiblissement d'insertion de l'emplacement théoriquement calculé A_{ic} d'un OATS idéal (voir 3.1.2.6). Par conséquent, la procédure permet de vérifier si le CALTS satisfait suffisamment aux propriétés supposées dans les calculs de SIL.

Les propriétés de planéité et de taille du plan de sol, l'amplitude du coefficient de réflexion et l'influence du milieu extérieur composant un OATS idéal sont simultanément vérifiées dans le cadre d'une procédure de mesure du SIL utilisant des hauteurs d'antenne fixes (voir 4.4.4), et après laquelle les résultats du SIL mesuré et du SIL calculé sont comparés.

Les propriétés de planéité et de taille du plan de sol, la différence de phase des ondes entrantes et réfléchies et l'influence du milieu extérieur composant un OATS idéal peuvent en outre être vérifiées simultanément dans le cadre d'une procédure de mesure par balayage en fréquence ou de hauteur en balayage (voir A.4).

Dans les paragraphes suivants, une grandeur $\pm \Delta X$ représente la tolérance maximale admise dans la procédure de validation d'une valeur de paramètre X . Les spécifications quantitatives des tolérances sont récapitulées au Tableau 2.

4.4.2 Montage d'essai

4.4.2.1 Les centres des antennes d'essai, des mâts et des câbles coaxiaux d'antenne sont placés dans un plan perpendiculaire au plan réfléchissant et au centre de ce plan.

NOTE 1 Le centre de l'antenne d'essai est défini en 4.3.1 (voir également la Figure 1).

4.4.2.2 Les éléments filaires colinéaires sont placés parallèlement au plan réfléchissant (c'est-à-dire la polarisation horizontale) tout au long de ces essais (c'est-à-dire perpendiculairement au plan (vertical) mentionné en 4.4.2.1).

Aux fréquences les plus basses de la gamme (entre 30 MHz et 40 MHz, par exemple), les éléments filaires relativement longs peuvent s'affaisser et influencer les résultats de mesure. Cette influence peut être éliminée en soutenant physiquement les éléments filaires ou l'influence doit être prise en compte dans le calcul de l'affaiblissement d'insertion de l'emplacement théorique.

4.4.2.3 La distance horizontale entre les centres des antennes d'essai est de

$$d = 10,00 \text{ m} \pm \Delta d \text{ m} (\Delta d \text{ conformément au Tableau 2}).$$

4.4.2.4 La hauteur du centre de l'antenne d'émission au-dessus du plan réfléchissant est de

$$h_t = 2,00 \text{ m} \pm \Delta h_t \text{ m} (\Delta h_t \text{ conformément au Tableau 2}).$$

4.4.2.5 La hauteur du centre de l'antenne de réception au-dessus du plan réfléchissant doit être réglable aux hauteurs $h_r \pm \Delta h_r$, comme indiqué au Tableau 3 (4.4.3.1) et au Tableau 2 (4.3.2).

4.4.2.6 Les câbles coaxiaux connectés aux symétriseurs des antennes d'émission et de réception cheminent perpendiculairement aux éléments filaires et parallèlement au plan réfléchissant, sur une distance d'au moins 1 m des éléments filaires. Au-delà, les câbles peuvent reposer verticalement sur le plan réfléchissant et (de préférence) cheminer au-dessous du plan réfléchissant ou bien au-dessus de ce plan et perpendiculairement aux éléments filaires, jusqu'à ce qu'ils atteignent le bord du plan. Lorsque les câbles cheminent en partie au-dessous du plan réfléchissant, il convient que le blindage conducteur du câble soit relié (sur 360°) au plan réfléchissant au point de pénétration à travers ce plan.

Si l'asymétrie est connue ou supposée, il est conseillé de charger les câbles coaxiaux reliés au symétriseur avec des ferrites de façon à éviter un couplage de mode commun. Une méthode de quantification des effets de la réflexion du câble est donnée en A.2.3 de la CISPR 16-1-6:2014, et peut préconiser une distance inférieure à 5 m ou l'ajout d'une incertitude aux résultats d'étalonnage de l'antenne.

NOTE 2 L'utilisation de câbles présentant une impédance de transfert faible peut limiter l'influence, sur les résultats des mesures, des courants induits sur le blindage du câble.

NOTE 3 Si les dispositions de base du montage d'essai de 4.4.2 sont utilisées pour soumettre à essai les antennes à polarisation verticale (conformément à 4.7, par exemple), des considérations similaires relatives à la disposition des câbles s'appliquent en général. Voir également 4.7.3.3.

4.4.2.7 Le générateur de signal RF et le récepteur de mesure RF ne doivent pas être placés au-dessus du niveau du plan réfléchissant s'ils sont situés à moins de 20 m des antennes.

4.4.2.8 La stabilité de la fréquence et du niveau de sortie du générateur de signal RF doit être correcte tout au long des mesures de l'affaiblissement d'insertion de l'emplacement. Voir également 4.4.4.2.3.2.

Une durée de préchauffage (généralement indiquée par le constructeur du matériel, une heure, par exemple) du générateur de signal RF et du récepteur de mesure RF peut être incluse dans la procédure de mesure, pour une stabilité à long terme suffisante du matériel.

4.4.2.9 La linéarité du récepteur de mesure RF doit être étalonnée sur une plage de dynamique d'au moins 50 dB. Voir également 4.4.4.2.1.3. L'incertitude associée de la linéarité du récepteur de mesure est indiquée par ΔA_r (utilisée en 4.5.2.2). 0,2 dB est une valeur raisonnable de linéarité du récepteur de mesure.

Si la plage de linéarité est inférieure à 50 dB, une méthode de substitution peut être utilisée, avec un atténuateur de précision étalonné conformément à 4.4.4.3.2.

4.4.3 Fréquences d'essai et hauteurs des antennes de réception

4.4.3.1 Outre la spécification normative de 4.2.2, les mesures de validation d'emplacement décrites en 4.4.4 doivent être réalisées aux 24 fréquences au moins indiquées dans la CISPR 16-1-4 sur la gamme comprise entre 30 MHz et 1 000 MHz, c'est-à-dire celle figurant au Tableau 3, et en utilisant les hauteurs fixes du centre de l'antenne de réception h_r (m) au-dessus du plan réfléchissant figurant également au Tableau 3. Pour l'étalonnage des antennes à l'aide des méthodes de la CISPR 16-1-6, les mesures de validation d'emplacement doivent également être réalisées à l'aide des mesures par balayage de fréquence décrites en 4.4.5.

Tableau 3 – Données de fréquence et de hauteur d'antenne de réception fixe pour les mesures du SIL aux 24 fréquences, avec $h_t = 2$ m et $d = 10$ m (spécifiés en 4.4.2.3 et 4.4.2.4)

Fréquence MHz	h_r m	Fréquence MHz	h_r m	Fréquence MHz	h_r m
30	4,00	90	4,00	300	1,50
35	4,00	100	4,00	400	1,20
40	4,00	120	4,00	500	2,30
45	4,00	140	2,00	600	2,00
50	4,00	160	2,00	700	1,70
60	4,00	180	2,00	800	1,50
70	4,00	200	2,00	900	1,30
80	4,00	250	1,50	1 000	1,20

4.4.3.2 La fréquence du générateur de signal RF fournissant le signal à l'antenne d'émission doit être réglée à Δf près (voir Tableau 2), d'une fréquence d'essai spécifiée au Tableau 3 ou en A.4.

4.4.3.3 Si du bruit à bande étroite, comme celui provenant des émetteurs de radiodiffusion, empêche de procéder à des mesures précises à une fréquence spécifiée en 4.4.3.1 et A.4, une fréquence d'essai utilisable aussi proche que possible de la fréquence spécifiée doit être choisie.

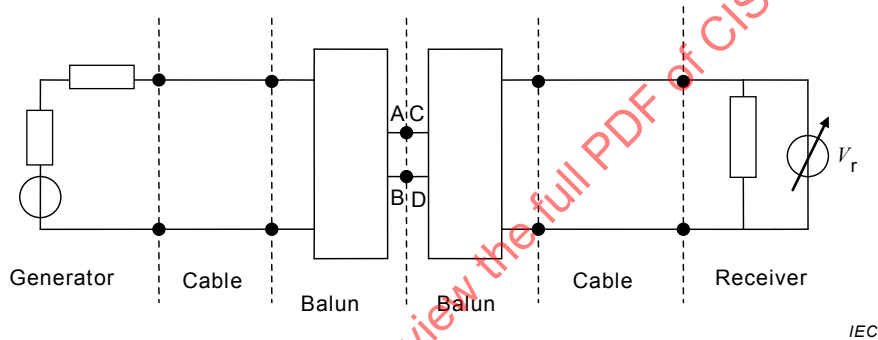
La justification de l'écart par rapport à une fréquence spécifiée doit être précisée dans le rapport de validation (voir 4.8).

4.4.4 Mesures du SIL

4.4.4.1 Généralités

Le paragraphe 4.4.4 décrit les trois mesures, appelées Mesure 1, Mesure 2 et Mesure 3, permettant de déterminer le SIL mesuré, A_{im} (voir 4.4.3.1 pour les critères d'acceptation) aux fréquences spécifiées. Le SIL considéré se trouve entre les bornes d'alimentation de l'antenne d'émission (A et B à la Figure 3 et la Figure 4) et les bornes de l'antenne de réception (C et D à la Figure 3 et la Figure 4).

Lorsque les paramètres S - du symétriseur sont disponibles [comme indiqué en 4.3.2 f)], il convient de les intégrer dans le calcul du SIL théorique (voir C.2.4). Cette approche permet d'obtenir des incertitudes moindres. Dans ce cas, le SIL mesuré est déduit grâce à une connexion par câble entre les deux interfaces câble/symétriseur (schéma présenté à la Figure 3).

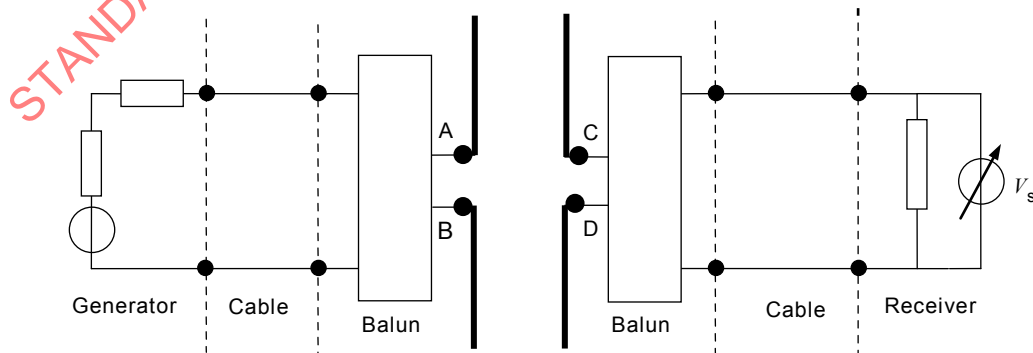


IEC

Légende

Anglais	Français
Generator	Générateur
Cable	Câble
Balun	Symétriseur
Receiver	Récepteur

Figure 3 – Détermination de $V_{r1}(f)$ ou $V_{r2}(f)$



IEC

Légende

Anglais	Français
Generator	Générateur

Anglais	Français
Cable	Câble
Balun	Symétriseur
Receiver	Récepteur

Figure 4 – Détermination de $V_s(f)$, les antennes filaires étant dans leur position spécifiée

4.4.4.2 Mesure 1, Mesure 2 et Mesure 3 pour la détermination du SIL

4.4.4.2.1 Mesure 1

4.4.4.2.1.1 A une fréquence spécifiée f , la tension de référence $V_{r1}(f)$ est déterminée.

Cette tension permet de tenir compte de l'affaiblissement du signal entre l'accès de sortie du générateur de signal RF et les bornes d'alimentation de l'antenne filaire d'émission et, de la même manière, entre les bornes d'alimentation de l'antenne filaire de réception et l'accès d'entrée du récepteur.

4.4.4.2.1.2 $V_{r1}(f)$ est déterminé comme suit.

Les éléments filaires des antennes d'essai sont déconnectés de leur symétriseur, et les deux symétriseurs sont connectés directement avec une connexion courte dont l'affaiblissement d'insertion doit être pris en compte (voir Figure 3).

4.4.4.2.1.3 Le niveau du générateur de signal RF est défini de manière à donner un niveau de lecture sur le récepteur au moins 60 dB au-dessus du niveau de bruit du récepteur. La lecture sur le récepteur est enregistrée sous la forme $V_{r1}(f)$. Toutes les lectures sont exprimées en décibels.

Le niveau de bruit du récepteur peut être réduit en limitant la largeur de bande du récepteur. Toutefois, si le générateur de signal RF et le récepteur de mesure RF ne sont pas verrouillés en fréquence, comme c'est le cas pour un générateur de poursuite et pour un analyseur de spectre, il convient que la largeur de bande du récepteur soit suffisamment large pour qu'une éventuelle dérive de la fréquence du générateur de signal RF n'ait aucune influence sur les résultats de mesure.

NOTE Un signal de la Mesure 2 d'au moins 34 dB au-dessus du bruit du récepteur donne une incertitude acceptable. Voir également 6.2.3 de la CISPR 16-1-6:2014. Dans le Tableau C.1, le SIL à 1 000 MHz est de 42,71 dB. Par conséquent, l'affaiblissement incluant les câbles et atténuateurs est susceptible d'être d'au moins 60 dB. Si ce signal est inférieur à 34 dB au-dessus du bruit du récepteur, la séparation d'antenne peut être réduite à une valeur minimale de 2λ et/ou l'incertitude due au bruit peut être augmentée.

4.4.4.2.1.4 Si la méthode du paramètre S indiquée en 4.4.4.1 est utilisée, toutes les antennes d'essai sont déconnectées, et les deux câbles d'antenne sont interconnectés lors de la détermination de $V_{r1}(f)$ et $V_{r2}(f)$ en 4.4.4.2.3.

4.4.4.2.1.5 Le réglage de l'amplitude du générateur de signal RF utilisé en 4.4.4.2.1 à une fréquence particulière demeure inchangé au cours des mesures associées à 4.4.4.2.2 et 4.4.4.2.3.

4.4.4.2.2 Mesure 2

Les symétriseurs sont déconnectés l'un de l'autre et les éléments filaires sont connectés à leur symétriseur (voir Figure 4). Les éléments de longueur spécifiée $L_a(f)$ sont sélectionnés. Les antennes d'essai sont mises en position, comme indiqué en 4.4.2 et en 4.4.3. Toutes les autres conditions du montage d'essai sont les mêmes qu'en 4.4.4.2.1.

NOTE Les éléments de longueur fixe et de diamètre constant sont préférés. Le diamètre des éléments télescopiques varie et donne des incertitudes plus importantes dans le calcul de A_i [voir 4.3.2 b) NOTE 2].

A la fréquence d'essai spécifiée f , et les antennes dans leur position spécifiée, la lecture sur le récepteur est enregistrée sous la forme $V_s(f)$. Il convient de veiller à ce que le champ émis ne dépasse pas les niveaux admis par les autorités réglementaires locales.

4.4.4.2.3 Mesure 3

4.4.4.2.3.1 Pour la Mesure 3, la mesure de la tension de référence selon 4.4.4.2.1 est répétée à la même fréquence d'essai spécifiée. Le résultat est enregistré sous la forme $V_{r2}(f)$.

4.4.4.2.3.2 Si $V_{r1}(f)$ et $V_{r2}(f)$ diffèrent de plus de 0,2 dB, la stabilité du montage d'essai doit être améliorée, et la Mesure 1, la Mesure 2 et la Mesure 3 précédentes doivent être répétées.

4.4.4.2.3.3 Une cause d'instabilité peut également être liée au fait que l'affaiblissement du câble coaxial dépend de la température, plus particulièrement en exposition directe au soleil. La durée minimale entre les mesures de $V_{r1}(f)$ et $V_s(f)$, et de $V_{r2}(f)$, doit être utilisée.

4.4.4.3 Détermination des résultats du SIL

4.4.4.3.1 A partir des résultats de la Mesure 1, de la Mesure 2 et de la Mesure 3, le SIL mesuré, $A_{im}(f)$, est donné par l'Équation (1).

$$A_{im}(f) = V_{ra}(f) - V_s(f) \quad (\text{dB}) \quad (1)$$

où $V_{ra}(f)$ est la moyenne de $V_{r1}(f)$ et $V_{r2}(f)$.

4.4.4.3.2 Si la dynamique du récepteur de mesure RF ne satisfait pas à 4.4.2.9, la méthode de substitution suivante peut être utilisée à condition que l'ensemble complet des paramètres S des symétriseurs soit disponible, et que les propriétés des symétriseurs soient introduites dans le calcul du SIL théorique.

- Déterminer et enregistrer la lecture sur le récepteur $V_s(f)$ comme indiqué en 4.4.4.2.2 (Mesure 2).
- Remplacer les antennes d'essai par un atténuateur de précision étalonné et connecter les deux câbles d'antenne à cet atténuateur. Régler l'affaiblissement d'insertion provoqué par l'atténuateur à un niveau $A_{im1}(f)$ de manière à obtenir la même lecture sur le récepteur $V_s(f)$ que celle déterminée à l'étape a). Enregistrer $A_{im1}(f)$ et son incertitude de mesure correspondante $\Delta A_{im1}(f)$.
- Pour démontrer la stabilité du montage d'essai (comme indiqué en 4.4.2.8), répéter l'étape b) afin de déterminer $A_{im2}(f)$ après une période de temps s'approchant de la durée totale entre la lecture de $V_s(f)$ de l'étape a) et $A_{im1}(f)$ de l'étape b). Si $A_{im2}(f)$ diffère de plus de 0,2 dB de $A_{im1}(f)$, la stabilité du montage d'essai doit être améliorée, et l'étape a), l'étape b) et l'étape c) répétées.
- Si le montage d'essai est suffisamment stable, l'affaiblissement d'insertion de l'emplacement mesuré $A_{im}(f)$ est donné par

$$A_{im}(f) = A_{im,a}(f) \quad (\text{dB}) \quad (2)$$

où $A_{im,a}(f)$ est la valeur moyenne de $A_{im1}(f)$ et de $A_{im2}(f)$.

4.4.4.3.3 Si aucune disposition n'a été prise pour éviter l'affaissement des éléments filaires des deux antennes d'essai, l'affaiblissement d'insertion de l'emplacement A_{im} doit être corrigé (voir 4.4.2.2).

4.4.5 Mesures du SIL à balayage de fréquence

4.4.5.1 Généralités

La validation d'un emplacement d'étalonnage sur lequel les antennes seront étalonnées à des intervalles de fréquence plus petits que ceux figurant au Tableau 3 (fréquence de balayage, par exemple) doit être réalisée par des mesures par balayage de fréquence, à l'aide d'une

paire d'antennes doublets calculées. Le Tableau A.1 donne un exemple de quatre doublets utilisés pour couvrir une gamme comprise entre 30 MHz et 1 000 MHz. Les intervalles de fréquences maximales doivent être conformes à ceux indiqués au Tableau 4. D'autre part, la validation peut être réalisée par la méthode d'emplacement de référence (RSM) de la CISPR 16-1-4, pour laquelle l'emplacement de référence doit avoir un $T_{\text{SIL}}(f) < 0,7$ dB pour être utilisé dans l'Équation (5) (voir 4.5.3), si la mesure est conforme à la procédure utilisée avec le Tableau 3. Les validations de fréquences à balayage peuvent révéler dans une plus large mesure les réflexions provenant de structures telles que les supports d'antenne et les câbles, et tous les diffuseurs proches tels que les bâtiments.

Tableau 4 – Pas de fréquence RSM

Gamme de fréquences MHz	Taille de pas maximale MHz
30 à 100	1
100 à 500	5
500 à 1 000	10

Pour les mesures du SIL à fréquence de balayage, le SIL entre deux antennes doublets calculées est mesuré en utilisant une distance de séparation de 10 m. Les antennes sont à polarisation horizontale et sont placées aux hauteurs indiquées au Tableau 5. Les termes Antenne 1 et Antenne 2 dans les en-têtes de colonne font référence à une paire d'éléments d'antenne presque identiques adaptés à la gamme de fréquences donnée dans chaque ligne du Tableau 5. La fréquence étant balayée, la phase relative du signal direct entre les antennes et le signal reflété par le sol change, donnant des zéros du signal (définis en 3.1.3.2). La précision d'un résultat de validation d'emplacement est réduite à zéro, mais la précision est suffisante jusqu'à un niveau de 10 dB en dessous de la valeur maximale du signal reçu le plus proche en fréquence de la fréquence du zéro. Un exemple de tracé de SIL normalisé (NSIL) est présenté à la Figure 5 [reposant sur l'équation du paramètre de champ $e_0(i,jH)$ de 7.4.1.2.1 de la CISPR 16-1-6:2014], avec des doublets hertziens à polarisation horizontale placés à 2 m de hauteur.

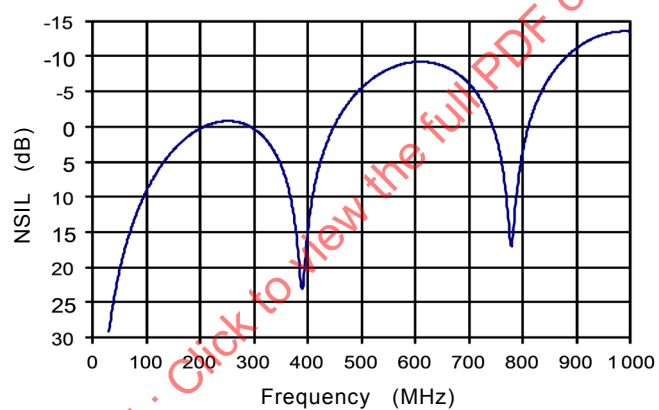
NOTE L'affaiblissement d'insertion normalisé de l'emplacement (NSIL) est un affaiblissement d'insertion de l'emplacement (SIL) moins les facteurs d'antenne (FA) des deux antennes.

Les gammes de fréquences du Tableau 5 reposent sur l'ensemble des quatre doublets indiqués au Tableau A.1. Pour les autres conceptions de doublet avec différentes subdivisions entre 30 MHz et 1 000 MHz, d'autres hauteurs peuvent être optimales, c'est-à-dire avec des niveaux de signal aux extrémités de la bande proches du niveau maximal. C'est la raison pour laquelle, dans le Tableau 5, la gamme comprise entre 600 MHz et 1 000 MHz est également subdivisée en deux gammes (lignes 5 et 6) en alternative à la gamme unique de la ligne 4. L'utilisation d'une hauteur inférieure de 1 m permet d'éviter de s'éloigner de la base du mât, où il y a beaucoup plus de matériau. Il est préférable de ne pas placer de moteur à la base du mât. Le NSIL de la ligne 1, de la ligne 2, de la ligne 3, de la ligne 5 et de la ligne 6 du Tableau 5 est tracé à la Figure 6, démontrant l'évitement du zéro.

Tableau 5 (informatif) – Hauteurs d'antenne pour les mesures du SIL

Ligne N°	Gamme de fréquences MHz	Hauteur de l'antenne 1 m	Hauteur de l'antenne 2 m
1	30 à 100	4	4
2	100 à 300	2	2,35
3	300 à 600	1,5	1,4
4	600 à 1 000	1,5	1,97
5	600 à 750*	1,5	1,1
6	750 à 1 000*	1,5	1,8

* La ligne 5 et la ligne 6 concernent les alternatives à la gamme comprise entre 600 MHz et 1 000 MHz de la ligne 4.

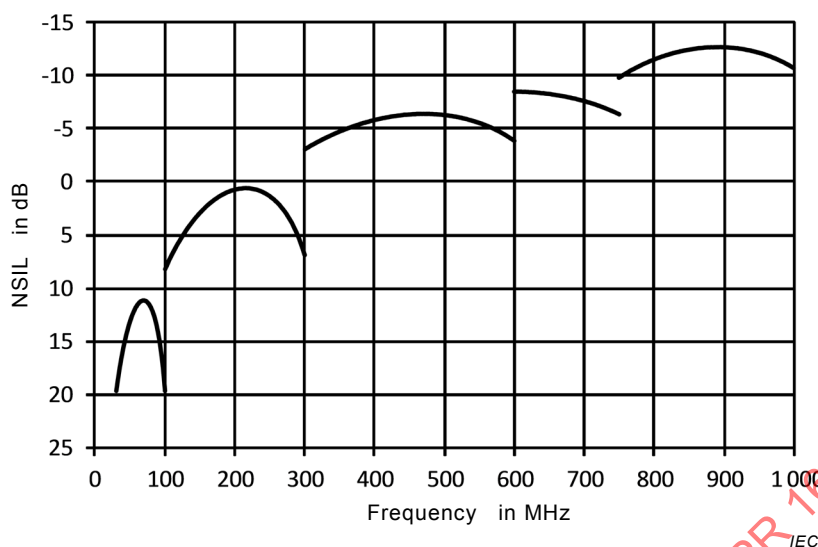


IEC

Légende

Anglais	Français
NSIL (dB)	NSIL (dB)
Frequency (MHz)	Fréquence (MHz)

Figure 5 – Exemple de NSIL: polarisation horizontale, hauteur d'antenne de 2 m, séparation de 10 m



Légende

Anglais	Français
NSIL in dB	NSIL en dB
Frequency in MHz	Fréquence en MHz

Figure 6 – NSIL de quatre paires de doublets calculés séparés de 10 m et utilisant les hauteurs alternatives de la paire 600 MHz à 1 000 MHz conformément au Tableau 5

Les mesures du SIL à balayage de fréquence ont pour principal objet de démontrer les performances d'emplacement en tant que telles, plutôt que d'inclure les mâts, qui ne présentent aucune spécification de réflectivité. Il convient d'utiliser des mâts composés d'un tubage diélectrique à paroi mince et du moins de pièces métalliques possible. A l'inverse, les résultats de validation d'un COMTS de la CISPR 16-1-4 incluent l'influence des supports d'antenne et des câbles, et dans la disposition exigée pour procéder aux essais des perturbations rayonnées.

4.4.5.2 Procédure

Deux mesures différentes de la tension reçue, V_R sont réalisées.

- La première lecture de V_R (c'est-à-dire V_{DIRECT}) est réalisée les deux câbles coaxiaux étant déconnectés des deux antennes, et raccordés l'un à l'autre par l'intermédiaire d'un adaptateur.
- La deuxième lecture de V_R (c'est-à-dire V_{SITE}) est réalisée les câbles coaxiaux étant raccordés à leurs antennes respectives. Dans le cadre de ces mesures, la tension source du signal est maintenue constante. Il convient de préférence d'utiliser un VNA.
- Le SIL est donné par l'Équation (3). Tous les termes sont en dB.

$$A_{im} = V_{DIRECT} - V_{SITE} \tag{3}$$

- Le SIL mesuré, A_{im} , est comparé au SIL théorique, A_{ic} , calculé selon C.2.4.1 pour les hauteurs d'antenne, la séparation et la polarisation à chaque fréquence. Le CALTS satisfait au critère de validation d'affaiblissement d'insertion de l'emplacement si, à toutes les fréquences utilisées pour l'étalonnage d'antenne, le critère d'acceptation est $T_{SIL}(f) = 1,0$ dB, où $T_{SIL}(f)$ fait l'objet d'une incertitude de mesure selon l'Équation (5) (voir 4.5.3).
- A des fréquences où la différence entre le SIL mesuré et le SIL théorique est supérieure à $\pm 1,0$ dB (ce qui est susceptible de les faire apparaître comme étant des caractéristiques résonantes dans une courbe de fréquence du SIL), des fréquences uniques doivent être sélectionnées pour approfondir l'analyse.

- 1) A chaque fréquence sélectionnée, le SIL et la hauteur du signal maximal doivent être enregistrés. Le SIL doit être calculé en utilisant la même géométrie d'antenne.
- 2) La raison expliquant cette différence de plus de $\pm 1,0$ dB doit être étudiée. Une solution de départ consisterait à augmenter la distance entre l'antenne et le mât et/ou le câble d'alimentation. Les éventuels écarts provoqués par les supports d'antenne et le câble d'alimentation doivent être étudiés de manière approfondie (voir 4.4.6) avant de se pencher sur d'éventuels problèmes liés à l'emplacement d'étalonnage.

Une mesure plus précise des performances d'emplacement consiste à noter la fréquence à laquelle un zéro se produit et à appliquer les critères de tolérance de A.4. Voir également la référence connexe en 4.2.2 aux essais facultatifs de A.4.

4.4.6 Identification et réduction des réflexions des supports d'antenne

Comme indiqué dans la NOTE 2 de 4.1, par exemple, les réflexions des supports d'antenne, plutôt que les défauts de l'emplacement lui-même, peuvent expliquer pourquoi un emplacement ne satisfait pas aux critères d'acceptation (voir également A.2.3 de la CISPR 16-1-6:2014). Une seule source puissante de réflexion peut être identifiée à partir d'une ondulation claire dans les résultats de la mesure à balayage de fréquence du SIL. La distance entre l'antenne et une surface réfléchissante derrière l'antenne est donnée par $R = 300/(2\Delta f)$ en m, où Δf est l'intervalle de fréquences en MHz entre deux pics adjacents de l'ondulation. Il s'agit d'une approximation dépendante du changement de phase de la surface réfléchissante.

L'amplitude de la réflexion peut être renforcée dans un montage dans lequel des antennes analogues sont montées à la même distance de mâts similaires. Une étude peut conclure que le mât présente une réflectivité trop importante, même si l'antenne est déplacée à environ 2 m en face de la section verticale du mât. En règle générale, les réflexions ne sont pas évidentes sous 600 MHz, mais plus l'on s'approche de 1 000 MHz, plus la zone de la surface de réflexion du mât devient proportionnelle à la longueur d'ondes, ce qui augmente l'amplitude de la réflexion.

Une solution consiste à utiliser des blocs de mousse de polystyrène transparents aux RF pour soutenir les antennes. Le rapport de validation doit indiquer les mesures à prendre pour isoler les réflexions d'emplacement, et l'incertitude que les mâts peuvent générer. Alors que le fournisseur de l'emplacement et le client (un laboratoire d'étalonnage, par exemple) ont besoin de savoir dans quelle mesure l'emplacement est conforme en matière d'isolation, le client (un laboratoire d'étalonnage, par exemple) a également besoin de savoir que l'emplacement, avec les supports d'antenne, est conforme, c'est-à-dire que la conception des mâts est pratique, de préférence.

La question des réflexions de mât est moins susceptible de se poser avec des antennes directives (des antennes LPDA et des antennes à cornet, par exemple). Les réflexions sont plus fréquentes avec des antennes du type doublet à polarisation verticale (c'est-à-dire avec des caractéristiques de plan H uniformes).

4.5 Critères d'acceptation de l'emplacement d'essai pour l'étalonnage des antennes

4.5.1 Généralités

Un CALTS est jugé satisfaisant lorsque, à toutes les fréquences auxquelles les étalonnages d'antenne exigeant un CALTS doivent être par la suite réalisés, les résultats du SIL mesuré (voir 4.4.3.1) se trouvent dans une certaine marge de valeurs théoriques calculées. La marge est donnée en 4.5.3. A l'exception des incertitudes dans les diverses valeurs mesurées, cette marge prend également en compte les tolérances autorisées dans la configuration d'essai.

Comme indiqué en 4.5.2, la marge d'incertitude est composée d'une partie qui doit être calculée à l'aide du modèle théorique, et d'une partie directement associée à l'incertitude des mesures de tension à partir de laquelle l'affaiblissement d'insertion d'emplacement mesuré est déterminé.

4.5.2 Incertitudes de mesure

4.5.2.1 L'incertitude de mesure ΔA_{im} du SIL mesuré, A_{im} , défini dans l'Équation (1) de 4.4.4.3.1 est donnée par

$$\Delta A_{im} = \sqrt{(\Delta A_r)^2 + (\Delta A_t)^2} \quad (\text{dB}) \quad (4)$$

où

ΔA_r est donné par ΔA_r , en dB, de 4.4.2.9 ou par $\Delta A_{im1}(f)$, en dB, de 4.4.4.3.2, selon le paragraphe applicable;

ΔA_t en dB, tient compte de la sensibilité de l'affaiblissement d'insertion d'emplacement aux tolérances de paramètres (les valeurs maximales sont données au Tableau 3).

Les valeurs $k = 2$ (niveau de confiance de 95 %) de ΔA_r et ΔA_t doivent être utilisées dans l'Équation (4).

NOTE 1 ΔA_t ($k = 2$) peut être calculé à l'aide du modèle donné à l'Annexe C.

4.5.2.2 Si les tolérances de paramètres satisfont à celles données au Tableau 2 (voir 4.3.2), ΔA_t ($k = 2$) = 0,2 dB peut être utilisé dans toute la gamme de fréquences comprise entre 30 MHz et 1 000 MHz. Dans ce cas, les calculs de ΔA_t peuvent ne pas être réalisés, ni les résultats reportés dans le rapport de validation du CALTS. Le Tableau 2 donne les tolérances maximales; la tolérance totale de 0,2 dB étant un exemple. Le total estimé par l'utilisateur, qui peut être inférieur, doit être utilisé pour l'application à la Figure 7 (voir 4.5.3).

NOTE 2 Une justification de ΔA_t ($k = 2$) = 0,2 dB est donnée en C.1.4.3.

4.5.3 Critères d'acceptation

Dans ce paragraphe, la valeur des paramètres à utiliser correspond aux valeurs réelles des paramètres mesurés. Les valeurs réelles des paramètres sont supposées être déterminées avec une incertitude suffisamment faible pour que la conclusion que la valeur des paramètres se situent dans la plage de tolérances maximales données au Tableau 2 soit justifiable.

EXEMPLE 1 Si la distance spécifiée entre les centres des antennes $d = 10,00$ m (voir 4.4.2.3), et si cette distance est $d_a = 10,01$ m lors de la mesure réelle du SIL, cette dernière valeur est utilisée dans les calculs. Toutefois, ($d - d_a$) doit toujours être inférieur à 0,04 m (voir Tableau 2).

Le CALTS satisfait au critère de validation d'affaiblissement d'insertion de l'emplacement si, à toutes les fréquences utilisées pour les étalonnages d'antenne, le critère d'acceptation est $T_{SIL}(f) = 1,0$ dB, où $T_{SIL}(f)$ fait l'objet d'une incertitude de mesure dans l'Équation (5) (voir Figure 7)

$$|A_{ic}(f) - A_{im}(f)| < T_{SIL}(f) - \Delta A_{im}(f) \quad (5)$$

où,

$A_{ic}(f)$ est le SIL théorique, en dB, à la fréquence spécifiée, calculée conformément à C.2.4 à l'aide des valeurs de paramètres géométriques réels L_a , d , h_t , et h_r ; Des exemples de valeurs $A_{ic}(f)$ sont donnés au Tableau C.1;

$A_{im}(f)$ est le SIL mesuré, en dB, selon l'Équation (1) (voir 4.4.4.3.1) ou l'Équation (2) (voir 4.4.4.3.2 d). Voir également 4.4.4.3.3 concernant l'affaiblissement aux extrémités des antennes filaires);

$\Delta A_{im}(f)$ est l'incertitude de mesure du SIL ($k = 2$), en dB, déduite de 4.5.2.2;

$T_{SIL}(f)$ est la tolérance admise du SIL, en dB.

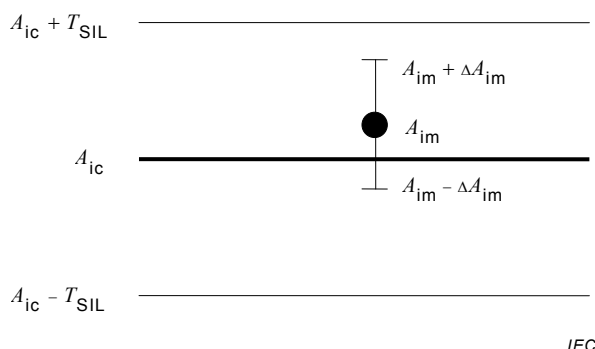


Figure 7 – Relation entre les grandeurs utilisées dans le critère d'acceptation du SIL

L'accent est mis sur la nécessité qu'un plan de sol se trouve dans la gamme de fréquences comprise entre 30 MHz et 300 MHz. Les réflexions provenant des supports d'antenne et des câbles sont bien moins importantes dans cette gamme, comparées à celles des fréquences supérieures à 300 MHz. De même, il est plus facile d'obtenir les performances d'antenne décrites dans la NOTE dans la gamme comprise entre 30 MHz et 300 MHz. Dans cette gamme, il est souhaitable d'obtenir $T_{SIL}(f) < 0,7$ dB, afin d'obtenir plus facilement une incertitude de F_a inférieure à 1 dB. Ce critère de 1,0 dB vise à permettre des réflexions plus importantes des supports d'antenne et des câbles jusqu'à 1 000 MHz. Le principal objet de la validation d'emplacement consistant à soumettre à essai les performances du plan de sol et de son environnement, il convient de tendre vers un critère inférieur lorsque l'influence des supports d'antenne et des câbles est moindre.

NOTE Les antennes doublets à large bande calculées sont en mesure de valider un CALTS dans le cadre d'un accord entre le SIL mesuré et le SIL théorique de $\leq 0,3$ dB [23]. Cela permettra d'obtenir des incertitudes inférieures pour F_a .

EXEMPLE 2 Si $\Delta A_t (k = 2) = 0,2$ dB et $\Delta A_r (k = 2) = 0,2$ dB, en appliquant l'Équation (4), $\Delta A_{i,m} (k = 2) = 0,3$ dB. La différence maximale acceptable entre l'affaiblissement d'insertion de l'emplacement calculé et l'affaiblissement d'insertion de l'emplacement mesuré peut être réduite en utilisant un récepteur présentant une valeur de $\Delta A_r (k = 2)$ inférieure, en diminuant les tolérances des différents paramètres et en tenant compte de la valeur réelle de $\Delta A_t (k = 2)$.

EXEMPLE 3 A 30 MHz, un doublet de 4,8 m de longueur s'affaisse de 16 cm à ses extrémités. $A_{i,m}$ est corrigé en ajoutant 0,27 dB, 0,13 dB et 0,08 dB lorsque le doublet se trouve à une hauteur de 1 m, 2 m et 4 m, respectivement, afin de comparer correctement $A_{i,m}$ à $A_{i,c}$. Il s'agit de corrections apportées aux dimensions du doublet du Tableau C.1, modélisées à l'aide du NEC (voir C.2).

4.6 Emplacement d'étalonnage à plan de sol métallique pour les antennes biconiques et les antennes doublets accordées sur une gamme de fréquences comprise entre 30 MHz et 300 MHz

Le présent paragraphe fournit une procédure de validation d'un emplacement d'étalonnage d'antennes biconiques et d'antennes doublets sur la gamme de fréquences comprise entre 30 MHz et 300 MHz, en moyennant le facteur d'antenne en fonction de la hauteur, $F_a(h,p)$, sur une gamme de hauteurs en fonction du TAM ou du SAM, comme indiqué en B.4 de la CISPR 16-1-6:2014. Dans le cadre d'un étalonnage d'antenne, les deux antennes à polarisation horizontale sont séparées de 10 m. Une antenne est élevée à 6 m au-dessus d'un plan de sol métallique plat, l'autre étant placée à une hauteur de 1 m ou de 2 m, comme indiqué au Tableau B.1 et au Tableau B.2 de B.4 de la CISPR 16-1-6:2014. Voir la Figure A.2 et la Figure A.3 de la CISPR 16-1-6:2014 pour un exemple de F_a obtenu par cette méthode.

La conformité de l'emplacement d'étalonnage doit être déterminée par les mesures du SIL réalisées selon les exigences suivantes.

- Le SIL doit être mesuré sur une gamme de fréquences comprise entre 30 MHz et 200 MHz à l'aide des montages d'essai du Tableau 6, et à 250 MHz et 300 MHz conformément à 4.4.4. Les valeurs théoriques du SIL, $A_{i,c}$, du Tableau 6 sont des exemples calculés avec des symétriseurs sans perte de la même manière qu'au

Tableau C.1. Le SIL doit satisfaire au critère d'acceptation spécifié en 4.5.3. De préférence, il convient de procéder à des mesures par balayage de fréquence, conformément à 4.4.5.

- b) Les mesures par balayage en hauteur de l'antenne (voir A.4.2) et les mesures par balayage en fréquence (voir A.4.3) sont facultatives. Voir 4.2.2 NOTE 1.

Cette méthode de validation inclut et développe la méthode de 4.4.4. Des recommandations relatives au budget d'incertitude peuvent être obtenues dans le Tableau B.3 de la CISPR 16-1-6:2014.

Tableau 6 – Montage de l'antenne pour la mesure du SIL de l'emplacement d'étalonnage à l'aide d'antennes doublets résonantes à polarisation horizontale (voir 4.4.4 pour le SIL à 250 MHz et 300 MHz)

Fréquence f , MHz	Distance de séparation d , m	Hauteur de l'antenne d'émission h_t , m	Hauteur de l'antenne de réception h_r , m	SIL théorique A_{FC} , dB
30	10,0	2,0	6,0	17,40
35	10,0	2,0	6,0	18,44
40	10,0	2,0	6,0	19,78
45	10,0	2,0	6,0	20,37
50	10,0	2,0	6,0	20,11
60	10,0	2,0	6,0	20,54
70	10,0	2,0	6,0	21,39
80	10,0	2,0	6,0	21,12
90	10,0	2,0	6,0	22,74
100	10,0	2,0	6,0	24,62
120	10,0	1,0	5,0	26,83
140	10,0	1,0	5,0	27,13
160	10,0	1,0	5,0	27,03
180	10,0	1,0	5,0	27,81
200	10,0	1,0	5,0	29,35

4.7 Validation d'un REFTS

4.7.1 Généralités

Des recommandations relatives à la construction d'un REFTS sont données en Annexe A. Un REFTS doit être validé avec des mesures du SIL pour la polarisation horizontale et la polarisation verticale. L'antenne d'essai pour les mesures du SIL est spécifiée en 4.3. En polarisation horizontale, les mesures du SIL doivent satisfaire aux exigences de 4.7.2. En polarisation verticale, les mesures du SIL doivent satisfaire aux exigences de 4.7.3. D'autre part, un REFTS peut être validé par la RSM de la CISPR 16-1-4. Les exigences relatives à un rapport de validation d'emplacement sont données en 4.8.

4.7.2 Validation pour la polarisation horizontale

4.7.2.1 Généralités

Suivre les procédures de 4.4 et de 4.5 pour les mesures et les analyses des résultats.

4.7.2.2 Critère d'acceptation pour la polarisation horizontale

L'affaiblissement d'insertion de l'emplacement théorique, $A_{ic}(f)$, est calculé conformément à C.2.4. Des exemples de valeur de $A_{ic}(f)$ sont donnés au Tableau C.1. Le critère d'acceptation est donné par l'Équation (5), sur la gamme de fréquences comprise entre 30 MHz et 1 000 MHz, avec $T_{SIL}(f) = 1,0$ dB. L'incertitude de mesure ΔA_{im} doit être évaluée pour l'utilisation de l'Équation (5) selon 4.5.2.

4.7.3 Validation pour la polarisation verticale

4.7.3.1 Généralités

Les précautions suivantes sont applicables aux antennes à polarisation verticale, en plus des exigences relatives aux antennes à polarisation horizontale.

4.7.3.2 Exigences de montage d'antenne et de mât d'antenne

Les antennes doivent être séparées de 10 m. La hauteur du centre de l'antenne d'émission doit être de 2 m, hormis à 30 MHz, 35 MHz et 40 MHz, où la hauteur doit être de 2,75 m. La fréquence et les hauteurs d'antenne de réception doivent être choisies selon le Tableau 7.

Tableau 7 – Hauteurs d'antenne

f MHz	h_t m	h_r m	f MHz	h_t m	h_r m	f MHz	h_t m	h_r m
30	2,75	2,75	90	2,0	1,15	300	2,0	2,6
35	2,75	2,4	100	2,0	1,0	400	2,0	1,8
40	2,75	2,4	120	2,0	1,0	500	2,0	1,4
45	2,0	1,9	140	2,0	1,0	600	2,0	1,4
50	2,0	1,9	160	2,0	1,0	700	2,0	1,0
60	2,0	1,5	180	2,0	1,0	800	2,0	1,0
70	2,0	1,5	200	2,0	1,0	900	2,0	1,6
80	2,0	1,15	250	2,0	3,1	1000	2,0	1,6

h_t et h_r sont les hauteurs d'antennes d'émission et de réception, respectivement.

La pointe inférieure de l'antenne doit être au moins à 0,25 m au-dessus du plan de sol. Il convient que le mât d'antenne soit composé d'un matériau diélectrique à faible densité (bois ou matériau diélectrique avec $\epsilon_r \leq 2,5$, à perte faible et à section transversale aussi petite que possible, présentant toujours une résistance mécanique). Il doit être démontré que le mât a un effet minimal sur la réponse de l'antenne. Les effets du mât et de la perche horizontale sur le facteur d'antenne doivent être évalués en mesurant la perte de transmission entre deux antennes en faisant varier la position du mât par rapport à l'antenne, donnant lieu à une variation de la distance entre l'antenne et la partie verticale du mât.

Des efforts doivent être accomplis pour minimiser l'influence du mât d'antenne, par exemple en augmentant la distance entre l'antenne et la partie verticale du mât en effectuant le montage de l'antenne sur une perche horizontale.

NOTE Pour les recommandations relatives à la limitation des réflexions des mâts, voir A.2.3 de la CISPR 16-1-6:2014.

4.7.3.3 Disposition de câbles

Les câbles peuvent agir comme des réflecteurs parasites lorsqu'ils sont alignés avec les éléments d'antenne, ce qui peut modifier le SIL de l'ordre de ± 1 dB, si un câble tombe à 0,5 m de l'élément arrière de l'antenne. Les effets des câbles peuvent être évalués en faisant varier cette distance horizontale jusqu'à ce que les effets sur le SIL soient négligeables.

Voir 4.4.2.6. À la distance finalement choisie pour la mesure, toute influence provoquée par les câbles sera alors masquée par les incertitudes du REFTS. Des ferrites à pinces placées sur le câble peuvent réduire cet effet, particulièrement si l'antenne comporte un symétriseur médiocre. Il convient d'étirer les câbles horizontalement derrière l'antenne (orthogonalement aux éléments d'antenne) représentant une valeur minimale de 2 m pour un REFTS avant de tomber sur le sol.

4.7.3.4 Dimension du plan de sol

En fonction du rapport de la distance de séparation entre les antennes et la distance par rapport aux bords d'un plan de sol d'OATS, un effet non négligeable de diffraction par effet de bord peut se produire. La présence d'effets de diffraction peut être observée comme une ondulation régulière superposée aux données à partir d'une mesure du SIL par balayage en fréquence. L'ondulation est plus prononcée dans les régions de maxima des données du SIL (c'est-à-dire un zéro du signal). Si le plan de sol est suffisamment large, l'ondulation peut être réduite en plaçant les antennes de telle sorte que le chemin de mesure se trouve sur l'axe court, plutôt que sur l'axe long, de l'emplacement d'essai. La diffraction par effet de bord peut également être réduite en élargissant le plan de sol au moyen d'un grillage supplémentaire raccordé au périmètre du plan de sol, et à la terre/la masse, mais la terre/le sol doit être très humide pour que cela soit effectif.

4.7.3.5 Critère d'acceptation pour la polarisation verticale

Le SIL théorique, $A_{ic}(f)$, est calculé conformément à C.2.4. Des exemples de valeur de $A_{ic}(f)$ sont donnés au Tableau C.5. Le critère d'acceptation est donné par l'Équation (5), sur la gamme de fréquences comprise entre 30 MHz et 1 000 MHz, avec $T_{SIL}(f) = 1,5$ dB. L'incertitude de mesure ΔA_{im} doit être évaluée pour l'Équation (5) selon 4.5.2.

4.8 Rapport de validation pour le CALTS et le REFTS

4.8.1 Généralités

Tout au long de 4.8, le terme CALTS s'applique également au REFTS. Les dispositions de 4.8 ne sont pas applicables pour 4.9 et 4.10.

Ce rapport de validation est un moyen pour garder trace et garantir la conformité d'un CALTS aux exigences de cette norme.

4.8.2 Exigences pour le rapport de validation

Le rapport de validation du CALTS doit comporter un certain nombre de points, chacun d'eux traitant d'un aspect de la validation du CALTS. Chaque point et la justification de son introduction dans le rapport de validation sont décrits dans le présent paragraphe. Une liste récapitulative des points à aborder est donnée à l'Annexe E.

a) Informations générales

Des informations générales telles que l'emplacement du CALTS, le détenteur responsable, etc. doivent être données.

Si la validation de l'emplacement est effectuée par d'autres parties ou d'autres organismes, ils/elles doivent être indiquées.

Ce point doit décrire la configuration du CALTS et de ses matériels auxiliaires en utilisant des dessins, des photos, des numéros de type, etc.

Les dates des opérations de validation et la date de publication du rapport de validation doivent également être indiquées. Les noms des personnes responsables de la rédaction et de l'autorisation du rapport de validation, ainsi que leurs signatures doivent apparaître de façon visible sur la page de couverture.

b) Attestation de la période de validité et limitations

Il est indiqué que la validité doit être démontrée avant l'utilisation d'un emplacement pour l'étalonnage des antennes (voir 4.2.2).

En conséquence, il est important d'indiquer la période de validité prévue du CALTS à l'étude. Comme le CALTS peut être soit situé à l'intérieur soit situé à l'extérieur, la validité prévue du CALTS peut varier et peut être affectée par différents facteurs tels que les modifications de l'environnement, le vieillissement des câbles, le vieillissement des absorbants. Il est de la responsabilité du détenteur du CALTS d'évaluer et de déclarer la période de validité de la "validation du CALTS".

En relation avec cette évaluation de validité, les points ou les aspects qui peuvent être modifiés au cours de l'usage normal de l'emplacement doivent être identifiés. Par exemple l'environnement extérieur comprend les arbres, la neige, l'humidité du sol, etc. En général les caractéristiques de stabilité des performances du câblage, des matériels, des antennes, des mâts d'antenne sont importantes. Les conditions d'environnement, le vieillissement des instruments ou des absorbants, la validité de l'étalonnage des matériels peuvent également déterminer la période de validité du CALTS.

Des auxiliaires de mesure rapide ou des procédures d'examen visuel peuvent être introduits pour évaluer de façon continue la validité ou la similarité des caractéristiques du CALTS.

Les conditions ou les limites spécifiques liées à l'environnement ou à la configuration doivent être indiquées explicitement.

c) Description et validation des antennes d'essai

Ce point du rapport de validation traite de la démonstration de conformité aux exigences applicables aux antennes.

Les antennes d'essai (éléments et symétriseurs) doivent satisfaire aux spécifications normatives données en 4.3.2 et aux valeurs applicables données au Tableau 2.

La conformité de chaque point de la spécification normative doit être vérifiée soit par examen soit par mesure. Les résultats de la vérification de la conformité doivent être disponibles dans une annexe ou dans un document séparé (photos, résultats de mesure, résultats d'étalonnage, déclarations des fournisseurs, etc.).

d) Montage d'essai

Ce point du rapport de validation traite de la démonstration de conformité du montage d'essai. Le montage d'essai doit satisfaire aux spécifications normatives données en 4.4.2 et aux valeurs applicables données au Tableau 2.

La conformité de chaque point de la spécification normative doit être vérifiée soit par examen soit par mesure. Les résultats de la vérification de la conformité doivent être disponibles dans une annexe ou dans un document séparé.

e) Mesures de validation

Les résultats des mesures du SIL effectuées suivant la procédure donnée en 4.4.4, aux fréquences d'essai et aux hauteurs d'antenne données au Tableau 3 doivent être décrits dans cette section du rapport de validation. De plus, les résultats des mesures par balayage en hauteur de l'antenne (A.4.2) ou des mesures par balayage en fréquence (A.4.3) doivent être donnés dans ce point, si ces mesures facultatives sont réalisées. De même, les résultats de la validation d'un REFTS en polarisation verticale donnés en 4.7.3 doivent être décrits.

f) Calcul de l'affaiblissement de l'emplacement de l'antenne et tolérances

Ce point du rapport de validation doit indiquer si la longueur de l'antenne est calculée à l'aide des procédures de l'Annexe C ou d'autres procédures numériques. Les résultats des calculs du SIL et des calculs de l'incertitude de mesure totale doivent être présentés dans ce point en utilisant des valeurs par défaut ou des valeurs calculées en cas d'écarts par rapport aux tolérances du Tableau 2.

g) Calculs des critères d'acceptation

Dans ce point du rapport de validation, les résultats des valeurs calculées et mesurées du SIL, ainsi que les tolérances et les incertitudes admises correspondantes, sont utilisés dans l'Équation (5) pour déterminer l'acceptation en fonction de la fréquence. De la même

manière, l'acceptation avec le critère de hauteur [Équation (A.1)] ou le critère par balayage en fréquence [Équation (A.3)] sera déterminée, si les mesures facultatives associées sont réalisées.

h) Déclaration finale de conformité

Si le SIL mesuré satisfait à l'Équation (5) à toutes les fréquences, et si les conditions du critère de hauteur ou du critère de balayage en fréquence sont satisfaites, le CALTS à l'étude peut être déclaré comme satisfaisant aux exigences du CALTS, en tenant compte de la période de validité et des conditions et configurations limites indiquées données au point b). Si les conditions du critère de balayage en hauteur ou du critère de balayage en fréquence de A.4 sont également satisfaites, les résultats peuvent être supposés donner un niveau de confiance plus important pour les résultats du SIL.

4.9 Validation de l'emplacement pour l'étalonnage des antennes biconiques et des antennes doublets, et de la partie biconique des antennes hybrides en polarisation verticale

Le présent paragraphe donne une procédure de validation d'un CALTS pour l'étalonnage des antennes biconiques et de la partie biconique des antennes hybrides, sur la gamme de fréquences comprise entre 30 MHz et 300 MHz, conformément à 9.3 de la CISPR 16-1-6:2014. La détermination de la fréquence de transition des antennes hybrides est décrite en 6.1.2 de la CISPR 16-1-6:2014. Voir également 5.3.2 de la présente Norme.

Pour une description de la disposition d'antenne, dans laquelle l'AEE est illuminé par un champ provenant d'une antenne monoconique, voir 9.3.2 de la CISPR 16-1-6:2014. Des recommandations sur la construction d'une antenne monoconique sont données en A.2.4 de la CISPR 16-1-6:2014. Si le monocone est placé à plus de 10 m, cela garantit que le champ est très uniforme sur l'ouverture horizontale de l'AEE (dont le diamètre est d'environ 0,5 m). Par conséquent, la variation sur l'ouverture horizontale n'est pas mesurée.

Pour mesurer la variation de champ sur l'ouverture verticale, une petite antenne biconique de longueur bout à bout de 0,44 m est balayée en hauteur entre 1 m et 2,6 m, par incréments de 20 cm. L'asymétrie de l'antenne doit être inférieure à $\pm 0,5$ dB, conformément à l'essai de symétriseur de 4.4.2 de la CISPR 16-1-4:2010/AMD1:2012. L'antenne est placée à l'endroit où l'AEE le serait (voir 9.3.2 de la CISPR 16-1-6:2014), en accordant une attention particulière à la distance minimale entre l'AEE et la partie verticale du mât, ainsi qu'à la distance minimale de 5 m par rapport à la partie verticale du câble d'antenne. L'utilisation d'un VNA pour procéder au balayage entre 30 MHz et 300 MHz, S_{21} est enregistrée à chaque hauteur. Tous les ensembles de données de S_{21} sont normalisés en fonction de la lecture à la hauteur moyenne de 1,8 m. A une fréquence donnée, la différence entre les résultats normalisés doit être inférieure à $\pm 1,5$ dB. En règle générale, il existe une conicité de champ, S_{21} diminuant au fur et à mesure de l'élévation de la petite antenne biconique. Les considérations relatives à l'incertitude sont analogues à celles de la méthode indiquée en 6.1, les deux méthodes visant à mesurer la variation de champ sur un balayage en hauteur.

Si la différence de S_{21} est supérieure à 1,5 dB, de possibles réflexions du mât d'antenne doivent être envisagées. La distance entre le petit bicone et le mât doit être augmentée ou le mât remplacé par un autre moins réfléchissant. La réflexion du câble d'antenne peut être examinée en déterminant s'il est avantageux d'augmenter la distance de 5 m par rapport à l'antenne. Si aucune de ces actions ne donne satisfaction, des obstacles (des bâtiments et des arbres, par exemple) sont trop proches des antennes et/ou le plan de sol est trop petit. Le montage final permettant de satisfaire au critère $\pm 1,5$ dB doit être utilisé pour étalonner l'AEE.

La Figure F.1 donne un exemple de conicité de champ sur l'ouverture verticale à l'intérieur de la tolérance spécifiée. La Figure F.2 donne un exemple du rapport du FA mesuré par cette méthode à celui mesuré d'une toute autre manière, c'est-à-dire à l'aide d'une polarisation horizontale et de la moyenne des FA mesurés à plusieurs hauteurs conformément à B.4.2 de la CISPR 16-1-6:2014.

Il convient également procéder à une validation d'emplacement selon 4.7.3 sur la gamme de fréquences comprise entre 30 MHz et 300 MHz, mais en utilisant un critère d'acceptation de 1,2 dB. Alors que la méthode précédente repose sur des différences, celle de 4.7.3 est une méthode absolue qui assure une qualité suffisante de l'emplacement.

4.10 Validation d'un CALTS à l'aide d'une polarisation verticale entre 5 MHz et 30 MHz pour l'étalonnage d'antennes unipolaires

4.10.1 Généralités

Les antennes unipolaires sont étalonnées par la méthode de l'onde plane sur une gamme de fréquences comprise entre 5 MHz et 30 MHz, comme indiqué en G.1 de la CISPR 16-1-6:2014. La méthode de l'onde plane est utile pour valider des antennes fictives utilisées pour l'ECSM en 5.1 de la CISPR 16-1-6:2014. Un CALTS pour l'étalonnage unipolaire peut différer du CALTS pour les doublets décrits à l'Article 4. La validité de l'emplacement est déterminée par la satisfaction au critère de validation, qui est la convergence du SIL mesuré et du calcul théorique du SIL entre deux antennes unipolaires.

Deux antennes unipolaires sont montées, espacées de 15 m et centrées le long de l'axe du plan de sol. Une longueur de 1 m et un rayon de 5 mm sont des dimensions d'antenne unipolaire adaptées. L'une des extrémités de l'antenne unipolaire est dotée d'un adaptateur mâle de type N. Voir C.2.5.2.1 pour le réglage de la longueur d'antenne unipolaire pour tenir compte de l'adaptateur. Les antennes unipolaires sont raccordées à un connecteur de cloison femelle de type N dans le plan de sol, dont l'autre extrémité sous le plan de sol est raccordée à la source du signal ou au récepteur. Le SIL est mesuré entre les antennes sur la gamme de fréquences comprise entre 5 MHz et 30 MHz par incréments de 1 MHz. Le SIL est calculé par la méthode de C.2.4.2.

Les différences de plus de 0,5 dB entre le SIL calculé et le SIL mesuré indiquent des réflexions indésirables d'objets autour de l'emplacement (des bâtiments, des clôtures ou des arbres, par exemple) ou que le plan de sol est trop petit. Cette différence ne doit pas dépasser 1 dB, ce qui signifierait que l'erreur provoquée par l'emplacement par rapport au FA mesuré ne dépasserait pas 0,5 dB. Si l'erreur d'emplacement peut être réduite, l'incertitude du FA générée par l'emplacement peut être réduite proportionnellement.

NOTE 1 Dans la CISPR 16-1-6, la gamme de fréquences pour l'étalonnage d'antenne unipolaire est comprise entre 9 kHz et 30 MHz. En dessous d'environ 5 MHz, l'impédance élevée de ces antennes unipolaires passives limite le signal disponible. Cette validation est donc réalisée entre 5 MHz et 30 MHz uniquement, qui est la gamme de fréquences pour la méthode de l'onde plane indiquée en G.1 de la CISPR 16-1-6:2014.

NOTE 2 Pour l'étalonnage des antennes unipolaires par la méthode indiquée en G.1 de la CISPR 16-1-6:2014, une antenne normalisée (STA) unipolaire est spécifiée, son FA pouvant être calculé par la méthode présentée en C.2.5.2.1.

4.10.2 Évaluation de l'incertitude

Un exemple de budget d'incertitude est donné au Tableau 8 pour le SIL mesuré entre deux antennes unipolaires identiques. Outre les fréquences les plus basses, un affaiblissement de remplissage augmenté peut être utilisé, réduisant donc la valeur de désadaptation. Pour estimer l'incertitude des différences entre le SIL calculé et le SIL mesuré, supposer une incertitude de 0,2 dB pour le SIL calculé par le NEC.

Tableau 8 – Exemple de budget d'incertitude de mesure du SIL entre deux antennes unipolaires

Source d'incertitude ou grandeur X_i	Valeur dB	Distribution de probabilité	Diviseur	Sensibilité	u_i dB	Notes
Linéarité du VNA	0,087	Rectangulaire	$\sqrt{3}$	1	0,087	-
Répétabilité du connecteur	0,050	Normale	1	1	0,050	-
Désadaptation	0,141	En U	$\sqrt{2}$	1	0,141	-
Séparation d'antenne, erreur de 2 cm à 15 m	0,005	Rectangulaire	$\sqrt{3}$	1	0,005	-
Simulation NEC	0,120	Rectangulaire	$\sqrt{3}$	1	0,120	-
Incertitude-type composée					0,211	
Incertitude élargie ($k = 2$)					0,42	

5 Méthodes de validation d'une FAR entre 30 MHz et 18 GHz

5.1 Généralités

Le présent article donne plusieurs procédures de validation d'une enceinte complètement anéchoïque (FAR).

- a) La première procédure indiquée en 5.2 concerne les étalonnages d'antenne au-dessus de 1 GHz jusqu'à 18 GHz, comme indiqué en 9.5 de la CISPR 16-1-6:2014. Cette procédure explique comment déterminer une zone de calme et le critère d'acceptation [4], [5].
- b) La deuxième procédure, présentée en 5.3.2, concerne les antennes LPDA entre 30 MHz et 1 GHz.
- c) Le 5.3.3 donne trois autres méthodes de validation d'emplacement FAR d'étalonnage d'antenne.
 - 1) Validation d'emplacement FAR utilisée avec le SAM pour les antennes sélectionnées entre 30 MHz et 1 GHz;
 - 2) La procédure S_{VSWR} , pour l'étalonnage subséquent des antennes LPDA entre 1 GHz et 18 GHz;
 - 3) Validation d'emplacement FAR utilisant les mesures dans le domaine temporel au-dessus de 500 MHz.

Une enceinte complètement anéchoïque est utilisée pour l'étalonnage d'antenne au-dessus de 1 GHz, dans lequel les ondes électromagnétiques rayonnées se propagent dans un espace libre, seul le rayon direct partant de l'antenne d'émission atteignant, dans l'idéal, l'antenne de réception. Toutes les ondes indirectes et reflétées doivent être limitées en plaçant un matériau absorbant sur toutes les parois, le plafond et le sol (voir la NOTE). Le blindage EM de la FAR doit assurer que tous les rayonnements EM extérieurs qui entrent dans l'enceinte, et qui peuvent avoir un impact sur le signal d'étalonnage au niveau de l'antenne de réception, doivent être au moins 30 dB en dessous du niveau du signal d'étalonnage (voir 6.2.4 de la CISPR 16-1-6:2014).

NOTE Des lignes directrices permettant de satisfaire au critère d'acceptation concernent le matériau absorbant présentant une réflectivité à incidence normale supérieure à -40 dB à 1 GHz et au-dessus. Pour les antennes directives, la spécification de réflectivité peut être assouplie en fonction de la directivité d'antenne, quelles que soient les parois d'extrémité vers lesquelles pointent les antennes.

Les antennes utilisées pour la validation d'emplacement au-dessus de 1 GHz doivent être des antennes à polarisation linéaire et des antennes directives. Une paire d'antennes à cornet peut être utilisée pour les mesures entre 2,8 m et 3,2 m, mais entre 0,8 m et 1,2 m, une antenne à cornet et une antenne LPDA doivent être utilisées pour éviter les ondes

stationnaires importantes entre les antennes à cornet. En règle générale, des antennes DRH sont utilisées car elles couvrent la gamme de fréquences comprise entre 1 GHz et 18 GHz.

5.2 Procédure de validation entre 1 GHz et 18 GHz

5.2.1 Transfert de puissance entre deux antennes

Il s'agit de créer un environnement en espace libre à l'intérieur d'une chambre anéchoïque pour les besoins de l'étalonnage des antennes. Lorsque l'antenne d'émission rayonne, les signaux en tout point de l'axe entre les deux antennes combinent le signal direct provenant de l'antenne d'émission et les signaux réfléchis provenant des surfaces de la chambre et d'autres objets, y compris l'antenne de réception. L'écart de niveau de ces signaux par rapport à ceux des antennes dans l'espace libre dépend de nombreux facteurs, tels que la fréquence, la taille de la chambre, la qualité et la couverture des absorbants, le type d'antenne et les réflexions des supports d'antenne. Cet écart de niveau contribue directement à l'incertitude de mesure globale des étalonnages d'antenne dans une enceinte complètement anéchoïque.

Il convient de déterminer une zone de calme pour une paire d'antennes particulière utilisée dans l'étalonnage d'antenne, avec pour objectif d'obtenir un environnement en espace libre proche de la perfection. La zone de calme est une partie de la chambre (en général autour du centre) dans laquelle les spécifications en matière d'uniformité de champ sont satisfaites, et dans laquelle les paires d'antennes doivent être placées lorsque l'AEE est étalonnée.

La puissance acceptée par l'antenne de réception est appelée P_r , et celle délivrée à l'antenne d'émission est appelée P_t . La variation du gain d'antenne étant faible sur la gamme des distances de séparation utilisée, il peut être supposé que l'intensité du champ varie de manière inversement proportionnelle à la distance d , par rapport à l'antenne. Par conséquent, si seuls les signaux directs envoyés par un émetteur stable arrivent à l'antenne de réception, la valeur de $P_r d^2$ est supposée être une constante le long de l'axe d'antenne pour une fréquence particulière dans une chambre sans réflexion idéale. Toutes les variations résiduelles de $P_r d^2$ en fonction de la fréquence sont supposées être générées par des réflexions indésirables dans la chambre. Ces variations apparaissent sous la forme d'une ondulation dans un tracé d'amplitude par rapport à la distance pour une fréquence donnée, et peuvent être utilisées pour estimer l'imperfection de la chambre. Les mesures peuvent être réalisées à l'aide d'un VNA, dont le rapport d'affaiblissement de transmission S_{21} en dB équivaut à P_r/P_t en dB. Un tracé de $[S_{21} + 20\lg(d)]^2$ en fonction de la distance de séparation, d , révélera les réflexions de la chambre sous la forme d'une ondulation, dont l'amplitude crête à crête est comparée au critère d'acceptation donné en 5.2.4. Pour obtenir un nombre suffisant de crêtes dans l'ondulation, l'antenne doit être déplacée sur une distance d'au moins 1λ de part et d'autre de la distance de séparation utilisée pour l'étalonnage d'antenne, par incréments de $\lambda/8$ au maximum.

NOTE L'analyse des résultats est plus rigoureuse et considérablement simplifiée à l'aide d'incrément de distance fins. Des incréments fins garantissent de pouvoir former une onde à chaque fréquence. Si l'incrément est trop important, les mesures devraient être réalisées à un plus grand nombre de fréquences, et les résultats tracés et examinés pour sélectionner les fréquences où les ondulations étaient importantes.

5.2.2 Procédure de mesure pour la validation entre 1 GHz et 18 GHz

Pour valider une chambre qui doit être utilisée pour un étalonnage d'antenne à l'aide de la méthode des trois antennes décrite en 9.5.1.3 de la CISPR 16-1-6:2014, les mêmes types d'antenne doivent être utilisés. Une antenne est placée à une extrémité de la chambre anéchoïque, son faisceau principal étant dirigé le long de l'axe principal de la chambre. Une paire d'antennes montée sur un chariot mobile est placée sur le même axe, à la distance indiquée de l'antenne d'émission (voir la Figure 8).

Le mesurande est l'amplitude de l'ondulation crête à crête dans un tracé de niveau de signal en fonction de la distance de séparation d'antenne, formée par l'interaction des réflexions de la chambre et du signal direct entre les antennes. La polarisation verticale est préférentielle, étant donné que la largeur de faisceau dans le plan vertical est plus étroite, le sol et un

absorbant étant en général les surfaces les plus proches des antennes. Cela suppose également que l'étalonnage subséquent des antennes est assuré par polarisation verticale.

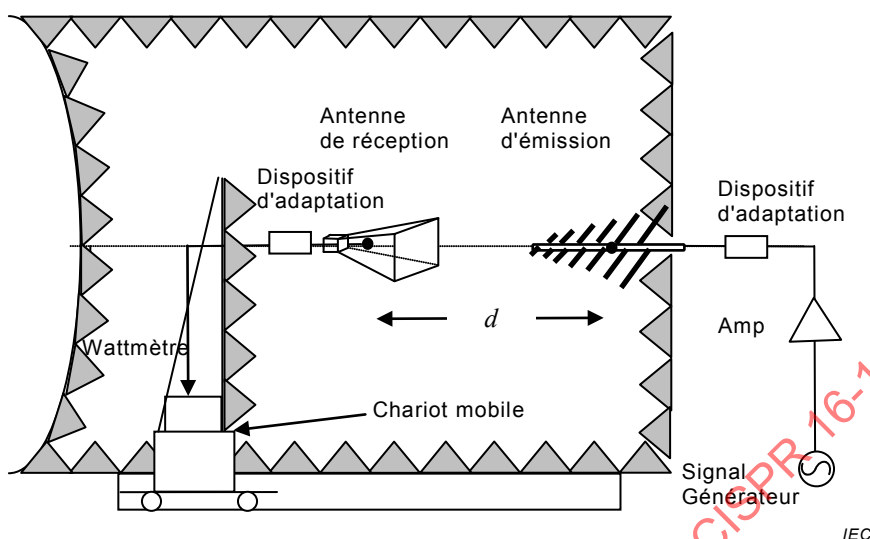


Figure 8 – Montage de validation d'emplacement des étalonnages d'antenne CEM au-dessus de 1 GHz dans une enceinte complètement anéchoïque, montrant également la distance entre les centres de phase des antennes

La validation est uniquement réalisée à la distance de séparation la plus importante exigée pour les étalonnages d'antenne, en partant de l'hypothèse selon laquelle plus les antennes sont proches, plus les réflexions sur la paroi seront faibles proportionnellement au signal direct entre les antennes. En règle générale, la distance maximale est de 3 m. Il est important que les supports d'antenne soient correctement recouverts par l'absorbant car, si ce n'était pas le cas, les réflexions des supports auraient un effet plus important à 1 m qu'à 3 m. Dans le doute, et si la chambre doit être utilisée pour des étalonnages de 1 m, des mesures de validation exploratoires à 1 m doivent être réalisées.

Pour une validation sur la gamme comprise entre 2,8 m et 3,2 m, une paire d'antennes à cornet peut être utilisée. Toutefois, compte tenu de l'onde stationnaire dominante entre les antennes à cornet à des distances inférieures, pour la gamme comprise entre 0,8 m et 1,2 m, une paire composée d'une antenne à cornet et d'une antenne LPDA doit être utilisée. Les erreurs provoquées par une variation importante du centre de phase de certaines antennes DRH sont un autre facteur. Pour obtenir un exemple de paire d'antennes DRH/LPDA particulière, l'amplitude crête à crête de l'ondulation a été mesurée comme étant inférieure à 0,2 dB pour une séparation de 3 m, qui inclut les réflexions de la chambre, indiquant que les ondes stationnaires entre les antennes ne sont pas significatives.

Cette méthode de validation est valable pour la gamme de fréquences comprise entre 1 GHz et 18 GHz, mais peut être appliquée dans une sous-gamme qui doit être utilisée pour l'étalonnage d'antenne. L'incrément de fréquence ne doit pas être supérieur à 0,5 GHz.

NOTE La CISPR 16-1-6 recommande d'étalonner les antennes LPDA à l'aide de deux antennes à cornet selon la méthode des trois antennes. Si un étalonnage est réalisé à l'aide d'une paire LPDA/LPDA, la chambre est à proprement parler validée uniquement par une paire LPDA/LPDA, cela impliquant des réflexions de chambre en raison de leurs largeurs de bande plus importante. D'autre part, une composante est ajoutée au budget d'incertitude pour augmenter les réflexions de chambre.

Un étalonnage à deux accès complets du VNA doit être réalisé ou des atténuateurs d'équilibrage adaptés doivent être utilisés sur les accès d'antenne. Un adaptateur à angle droit courbe (présentant un faible facteur d'adaptation (en réflexion)) peut être utilisé pour éviter que le dispositif d'adaptation et le câble ne soient visibles derrière l'ouverture d'antenne, du point de vue du centre de l'autre antenne.

Si toutes les mesures sont réalisées dans une session dans laquelle le VNA et les câbles ne font l'objet d'aucune perturbation, il n'est pas nécessaire de mesurer $S_{21 \text{ câble}}$ avec les câbles d'antenne raccordés ensemble. En présence de plusieurs sessions, $S_{21 \text{ câble}}$ doit être mesuré pour chaque session et les résultats soustraits des résultats de mesure d'antenne, $S_{21 \text{ antennes}}$. L'antenne de réception est déplacée le long de l'axe principal et les S_{21} antennes mesurées.

Il convient d'assurer un mouvement minimal des câbles et de vérifier le serrage de tous les connecteurs, l'amplitude des variations d'intensité du signal reçu dues à ces facteurs pouvant être analogue à celle des réflexions de chambre en cours de diagnostic. En partant du principe que la fréquence la plus faible s'élève à 1 GHz, l'antenne est déplacée sur une gamme minimale comprise entre 2,8 m et 3,2 m entre les extrémités d'antenne. L'incrément de distance ne doit pas dépasser $\lambda/8$, soit un incrément de 0,002 m à 18 GHz. Il convient d'utiliser un analyseur automatisé, ses parties exposées étant recouvertes de l'absorbant approprié. La distance de séparation étant augmentée, il convient de placer l'absorbant sur le sol exposé.

5.2.3 Analyse des résultats

Les données S_{21} doivent être converties en tracés à chaque fréquence du niveau de signal en fonction de la distance, conformément à la procédure donnée au présent paragraphe. Au fur et à mesure de l'augmentation de la distance entre les antennes, le niveau de signal est censé chuter de manière inversement proportionnelle à la distance. Même si le gain d'antenne à cornet varie en fonction de la distance, il est suffisamment faible pour être ignoré, plus particulièrement à 3 m. Le terme d est la distance de séparation entre la face avant de l'antenne à cornet et l'extrémité de l'antenne LPDA.

La distance de séparation, d , doit être corrigée pour les centres de phase des antennes, comme indiqué dans la procédure d'analyse ci-dessous. Les centres de phase précis des antennes pouvant être inconnus, le gradient des tracés du niveau de signal en fonction de la distance peut être important, ce qui rend plus difficile la quantification de l'amplitude d'une ondulation crête à crête. Les tracés peuvent être plus horizontaux en appliquant une correction expérimentale à la distance.

S'agissant d'une antenne LPDA, le centre de phase peut faire l'objet d'une correction simplifiée à l'aide de l'Équation (7). Les antennes DRH ne présentent pas de centres de phase aussi simplement prévisibles, cette procédure de validation fournissant toutefois les données permettant de les déterminer (voir 7.5.3.2 de la CISPR 16-1-6:2014).

- a) A chaque fréquence, mesurer une seule fois $S_{21 \text{ câble}}$, puis mesurer $S_{21 \text{ antennes}}$ pour chaque distance de séparation. Calculer le SIL par rapport à la distance, c'est-à-dire $A_{i,m}(d)$, comme indiqué dans l'Équation (6). Il peut ne pas être nécessaire de mesurer $S_{21 \text{ câble}}$, comme indiqué en 5.2.2, car les valeurs de $A_i(d)$ à toutes les distances sont normalisées en fonction des valeurs de $A_{i,m}(d)$ à 3 m de b).

$$A_{i,m}(d) = S_{21 \text{ câble}} - S_{21 \text{ antennes}} + 20 \lg(d) \quad (6)$$

- b) Partir du principe que les données de a) sont présentées dans une feuille de calcul dont la première colonne est la fréquence et les colonnes suivantes les valeurs de $A_{i,m}(d)$ à chaque distance. Transposer les données de sorte que la première colonne soit la distance de séparation, d , et les colonnes suivantes les valeurs de $A_{i,m}(d)$ à chaque fréquence. Cette présentation est plus intuitive pour l'application des corrections de centre de phase dépendantes de la fréquence, les données étant présentées au bon format pour le traçage de $A_{i,m}(d)$ à chaque fréquence en fonction de la distance de séparation. Normaliser toutes les lignes en fonction de la distance entre axes, dans ce cas 3 m, c'est-à-dire $[A_{i,m}(d) - A_{i,m}(d_{3 \text{ m}})]$. Pour chaque colonne de données à une fréquence donnée, appliquer une correction de distance du centre de phase à l'aide de l'Équation (7), où $d_{1f \text{ radome}}$ est la distance entre l'extrémité de l'antenne LPDA et son centre de phase à une fréquence donnée. L'Équation (7) est l'équation simplifiée du centre de phase. Voir 7.5.2.2 de la CISPR 16-1-6:2014 pour une explication de $d_{1f \text{ radome}}$. Une grande précision de la

séparation d'antenne n'étant pas exigée pour obtenir une ondulation mesurable, la longueur de l'antenne LPDA est supposée être la longueur active estimée, d_{LPDA} , sur la bande de fréquence utilisée pour la mesure, sauf si des informations relatives à la position réelle des éléments de doublet sont disponibles.

$$d_{1f \text{ radome}} = \frac{f_{\max}^{-1} - f^{-1}}{f_{\max}^{-1} - f_{\min}^{-1}} d_{LPDA} \quad (7)$$

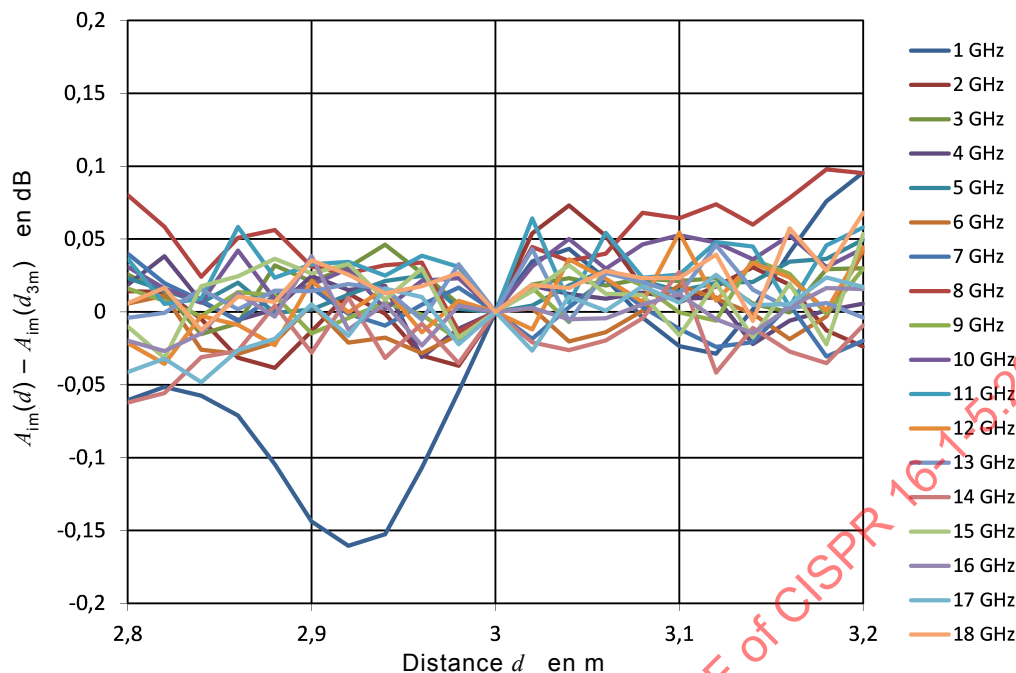
où f_{\max} et f_{\min} sont les fréquences de conception maximale et minimale de l'antenne, et f la fréquence à laquelle la correction est exigée.

- c) Tracer $A_{im}(d)$ en fonction de d à toutes les fréquences sur un graphique. Si la ligne médiane passant par un tracé individuel à une fréquence donnée n'est pas horizontale, cela indique que les corrections a) de la séparation et b) du centre de phase de l'antenne LPDA sont incomplètes.

NOTE 1 Par expérimentation, une correction peut être appliquée à toutes les valeurs de $A_{im}(d)$ à cette fréquence, c'est-à-dire à la colonne de fréquence de la feuille de calcul. Si le tracé devient horizontal, la correction peut donner des informations utiles relatives aux centres de phase des antennes ou à la variation du gain en fonction de la distance, particulièrement si la validation est centrée par rapport à une séparation d'environ 1 m. Une correction qui augmente la séparation signifie que le centre de phase se trouve derrière la face avant de l'antenne à cornet. Si l'amplitude crête à crête est trop petite (0,2 dB pour une paire antenne à cornet/antenne LPDA, par exemple), ce processus peut être discutable. La fiabilité de ce processus est plus importante en présence d'une onde stationnaire claire entre les antennes, comme cela est le cas pour des paires d'antennes à cornet. De même, il est à noter que la modélisation informatique de Harima [26] indique que d'importantes variations en fonction de la fréquence du centre de phase des antennes DRH peuvent se produire.

- d) En examinant les tracés, estimer l'amplitude crête à crête de l'ondulation à chaque fréquence. Si le tracé n'est pas assez horizontal, il convient de tracer une ligne droite entre son centre et les valeurs maximales et minimales adjacentes mesurées à partir de cette ligne droite. Sur la gamme de séparation, la valeur maximale-minimale adjacente la plus importante est comparée au critère d'acceptation. Des exemples de tracés de $A_{im}(d)$ en fonction de la distance à un échantillon de fréquences sont présentés à la Figure 9. Les corrections de centre de phase d'antenne LPDA appliquées à la Figure 9 varient de 0,27 m à 1 GHz à 0,0 m à 18 GHz. Une seule correction de 0,12 m derrière la face avant de l'antenne à cornet a été appliquée à toutes les fréquences. Il convient qu'elle soit probablement supérieure à 1 GHz et 2 GHz.

NOTE 2 Les données de la Figure 9 ont été prises en incréments de 0,02 m dans la gamme comprise entre 2,8 m et 3,2 m, et il apparaît clairement que l'incrément est trop grossier au-dessus de 6 GHz pour les crêtes et pour la formation de valeurs nulles. Toutefois, 1,5 cycle est développé à 1 GHz, ce qui indique que cette gamme peut être suffisante. La plus grande propagation se situe à 1 GHz et 2 GHz, en partie provoquée par la largeur de faisceau plus importante de l'antenne DRH à l'extrémité la plus basse de sa gamme de fréquences spécifiée.



IEC

Figure 9 – Exemples de tracé de $[A_{im}(d) - A_{im}(d_{3m})]$ en dB en fonction de la distance en m entre 1 GHz et 18 GHz par incréments de 1 GHz, corrigé pour les centres de phase des antennes LPDA et des antennes à cornet

5.2.4 Critère d'acceptation

Le "calme" de la zone de calme dépend des niveaux de réflexion sur les parois, le sol et le plafond de l'enceinte complètement anéchoïque et d'autres objets réfléchissants. La bande de fréquences la plus basse de la chambre doit faire l'objet d'un examen plus approfondi, la réflectivité de l'absorbant étant en général plus importante aux fréquences inférieures.

Le critère d'acceptation est une variation crête à crête de $A_{im}(d) \leq 0,5$ dB sur un cycle, imputable aux réflexions de la paroi (c'est-à-dire entre les crêtes adjacentes de la Figure 9). La zone de calme doit être obtenue sur la distance exigée. La moitié de la variation crête à crête maximale obtenue de $A_{im}(d)$ est utilisée comme incidence d'incertitude pour les imperfections d'emplacement dans la mesure d'incertitude globale du FA.

5.2.5 Performances de la chambre en fonction de la polarisation

Pour une enceinte complètement anéchoïque parfaite, il convient que les résultats de mesure de deux antennes adaptées en polarisation ne montrent aucune différence, qu'il s'agisse d'antennes à polarisation horizontale ou à polarisation verticale. Mais pour une enceinte complètement anéchoïque qui n'est pas parfaite, ils sont susceptibles de présenter quelques différences. Les mesures sont éventuellement répétées avec les antennes à polarisation horizontale, et les tracés de $A_{im}(d)$ sont comparés à d pour deux polarisations. Les différences entre les deux tracés peuvent s'avérer utiles pour révéler si des améliorations peuvent être apportées à la réflectivité de la chambre.

5.2.6 Incertitudes

Le Tableau 9 présente un exemple de budget d'incertitude. Il s'agit de l'incertitude de l'ondulation crête à crête. La moitié de l'amplitude de l'ondulation crête à crête fait office de composante d'incertitude du facteur d'antenne des antennes étalonnées dans la chambre. L'ondulation suppose un gain d'antenne constant et aucun couplage mutuel d'antenne à antenne. Il s'agit donc de composantes essentielles dans le budget. La stabilité du récepteur de mesure est incluse dans la composante de répétabilité.

Tableau 9 – Exemple de budget d'incertitude de mesure pour la méthode de validation de la FAR à 1 GHz et au-dessus

Source d'incertitude ou grandeur X_i	Valeur dB	Distribution de probabilité	Diviseur	Sensibilité	u_i dB	Notes ^a
Linéarité du récepteur de mesure	0,1	Rectangulaire	$\sqrt{3}$	1	0,06	1)
Incertitude de la correction du centre de phase	0,1	Rectangulaire	$\sqrt{3}$	1	0,06	2)
Erreur de séparation d'antenne de 15 mm en 3 m	0,05	Rectangulaire	$\sqrt{3}$	1	0,03	3)
Variation du gain en fonction de la distance, sur 3 m	0,1	Rectangulaire	$\sqrt{3}$	1	0,06	4)
Couplage mutuel d'antenne	0,2	Rectangulaire	$\sqrt{3}$	1	0,12	5)
Désadaptation	0,1	En U	$\sqrt{2}$	1	0,06	6)
Répétabilité	0,05	Normale	2	1	0,03	7)
Incertitude-type composée sur une validation de chambre au-dessus de 1 GHz, u_{Val} d'emplacement en dB					0,16	
Incertitude élargie ($k = 2$), U_{Val} d'emplacement en dB					0,33	
<p>^a Le numéro de chaque point correspond aux numéros de Note ci-dessous. Voir également l'Annexe E de la CISPR 16-1-6:2014 pour d'autres descriptions d'incertitude.</p> <p>Notes:</p> <p>1) Incertitude liée à un VNA.</p> <p>2) Il s'agit de l'erreur de prédiction du centre de phase de l'antenne à une fréquence donnée. La contribution du centre de phase s'applique aux antennes LPDA et hybrides. Voir 7.5.2.2 de la CISPR 16-1-6:2014 pour plus de détails.</p> <p>3) Cette erreur est estimée pour une différence de position inférieure à 15 mm des deux antennes. Le calcul de l'amplitude de l'erreur s'appuie sur la distance de séparation entre les antennes.</p> <p>4) Variation du gain d'antenne à cornet en fonction de la distance A une distance de 1 m de l'ouverture du cornet, pour une antenne DRH de 1 GHz à 18 GHz, la variation atteint une réduction de 1 dB du gain. Par conséquent, le champ ne peut pas être supposé être inversement proportionnel à la distance. A moins que le gain ne soit connu à toutes les distances, il convient de l'inclure comme un terme d'incertitude.</p> <p>5) Le couplage mutuel entre deux antennes se présente sous la forme d'une ondulation dans un tracé du SIL par rapport à la distance dans le cas d'une modification de la séparation d'antenne d'au moins $\lambda/2$. Il convient d'inclure l'amplitude de cette ondulation en tant qu'incertitude. Le couplage mutuel dépend de la désadaptation d'antenne. Cette ondulation peut être plus large que celle générée par plusieurs réflexions de la chambre, mais c'est cette dernière qui soumise à essai par rapport au critère d'acceptation.</p> <p>6) L'incertitude de désadaptation entre l'antenne d'émission et l'antenne de réception doit être prise en compte. Les contributions maximales doivent être incluses dans le calcul d'incertitude, pour le côté émetteur et le côté récepteur.</p> <p>7) La contribution de répétabilité inclut les erreurs de montage (hauteurs d'antenne, distance de l'antenne et positionnement de l'antenne, par exemple). Elle inclut également la répétabilité du connecteur et le mouvement des câbles. Il convient de procéder à un ensemble de 10 étalonnages, désinstallation et montage compris, afin d'obtenir une valeur fiable.</p>						

5.3 Validation d'une FAR pour l'étalonnage des antennes par d'autres méthodes

5.3.1 Généralités

Alors que 5.2.2 décrit la validation d'une enceinte complètement anéchoïque au-dessus de 1 GHz, 5.3.2 décrit la validation d'une enceinte complètement anéchoïque à utiliser pour des étalonnages d'antenne subséquents entre 30 MHz et 1 GHz. Cela facilite également la détermination de la fréquence de transition des antennes hybrides, décrite en 6.1.2 de la CISPR 16-1-6:2014. Le 5.3.3 décrit une méthode différente de celle de 5.2.2 pour l'étalonnage des antennes LPDA au-dessus de 1 GHz. Enfin, les mesures dans le domaine temporel pour la validation d'emplacement de l'enceinte complètement anéchoïque au-dessus de 500 MHz sont décrites en 5.3.4.

5.3.2 Validation d'une enceinte complètement anéchoïque entre 30 MHz et 1 GHz

Le présent paragraphe aborde la validation d'une enceinte complètement anéchoïque (FAR) pour l'étalonnage des antennes suivantes selon la méthode d'antenne normalisée (SAM):

- a) antennes biconiques et antennes hybrides entre 30 MHz et 300 MHz (voir 9.2 de la CISPR 16-1-6:2014), et
- b) antennes doublets entre 60 MHz et 1 000 MHz.

La raison justifiant une fréquence inférieure de 60 MHz en b) est qu'une longueur de doublet de 2,4 m peut être ajustée dans la plupart des FAR, réduisant le nombre de fréquences inférieures dont doit faire l'objet un CALTS.

Sur la gamme de fréquences comprise entre 30 MHz et 1 GHz, un champ suffisamment uniforme peut être obtenu dans une FAR dont l'uniformité du champ, mesurée conformément à la procédure de validation de la FAR de la CISPR 16-1-4 (c'est-à-dire à l'aide d'une mini antenne d'émission biconique) satisfait à un critère ANE de $\pm 2,5$ dB (voir NOTE 2 et NOTE 3). Le volume de mesure de validation est un cylindre qui entoure l'AEE (les éléments les plus larges d'une antenne hybride, par exemple), l'antenne de mesure se trouvant à une distance de X m par rapport au centre du volume, où X est la distance de séparation utilisée pour le montage d'étalonnage d'antenne donnée en 9.2.2 de la CISPR 16-1-6:2014. En règle générale, la variation minimale de l'uniformité du champ est obtenue en plaçant l'axe entre les antennes au centre de l'enceinte.

Les distances exigées par rapport aux parois de la FAR, et par rapport à celles du sol et du plafond, dépendent des directivités d'antenne dans le plan E et le plan H (voir la définition 3.1.1.16 et la définition 3.1.1.17 de la CISPR 16-1-6:2014). Les extrémités de l'absorbant et les extrémités des antennes doivent être séparées d'au moins 1 m.

La satisfaction du critère d'acceptation ANE de $\pm 2,5$ dB permettra d'obtenir des incertitudes de mesure du facteur d'antenne d'au moins $\pm 1,2$ dB pour une antenne hybride. L'évaluation de l'aptitude de la FAR à obtenir des incertitudes inférieures peut faire l'objet d'un examen à l'aide de la méthode de comparaison de 7.1.

NOTE 1 L'affaiblissement normalisé de l'emplacement (ANE) est un affaiblissement de l'emplacement (SA) moins les facteurs d'antenne (FA) des deux antennes.

NOTE 2 Le critère ANE de $\pm 2,5$ dB est une valeur assouplie d'une valeur plus souhaitable de ± 2 dB, obtenue par les instituts de mesures nationaux (NMI), par exemple. Il est destiné à revenir à ± 2 dB lorsque les données provenant d'autres laboratoires le justifient.

NOTE 3 Les critères de réflectivité de l'absorbant sont décrits en N20) de E.2 de la CISPR 16-1-6:2014.

5.3.3 Autre validation d'une FAR pour l'étalonnage des antennes LPDA au-dessus de 1 GHz

Pour les fréquences supérieures à 1 GHz, un champ suffisamment uniforme peut être obtenu dans une FAR qui a été validée par la méthode S_{VSWR} de la CISPR 16-1-4, en utilisant une séparation d'antenne de 3 m et un critère d'acceptation $S_{VSWR, dB} \leq 2$ dB. Compte tenu de la petite taille de la région active de l'AEE au-dessus de 1 GHz, un seul emplacement est validé. Pour l'étalonnage des antennes, la distance de séparation est supposée être inférieure à 3 m, par exemple, 2,5 m entre le centre d'une antenne LPDA et la partie LPDA des antennes hybrides, comme le montre la Figure 10 (voir 6.1.1).

La validation s'applique pour l'étalonnage subséquent selon la méthode des trois antennes (TAM) ou la méthode d'antenne normalisée (SAM) des antennes LPDA et des antennes hybrides du type utilisé comme antenne de réception pour la validation.

5.3.4 Autre validation d'une FAR appliquant les mesures dans le domaine temporel au-dessus de 500 MHz

Pour les fréquences supérieures à 500 MHz, une FAR peut être validée à l'aide de l'option de domaine temporel d'un VNA. L'option de domaine temporel compare le trajet direct de propagation entre deux antennes aux réflexions par trajets multiples. La source des réflexions peut être identifiée et attribuée, par exemple, à un mât, une paroi à revêtement absorbant ou une imperfection d'une FAR. L'incertitude de mesure est déduite des niveaux du faisceau direct par rapport à la somme quadratique des réflexions par trajets multiples.

Compte tenu de la petite taille de la région active d'un AEE, un seul emplacement est validé. Pour l'étalonnage des antennes, la distance de séparation est supposée être inférieure à 3 m, par exemple, 2,5 m entre les centres des antennes, comme le montre la Figure 10 (voir 6.1.1).

Tous les types d'antenne communs (antennes biconiques, antennes LPDA, cornet à gain normalisé ou antennes DRH, par exemple) peuvent être utilisés pour cette validation. Pour chaque combinaison de type d'antenne (DRH et LPDA ou LPDA et biconique, par exemple), une seule validation doit être réalisée dans la FAR. En effet, la sensibilité des réflexions diffère selon la combinaison de conceptions d'antenne, en raison des différentes caractéristiques de rayonnement d'antenne classiques.

6 Méthodes de validation des emplacements pour l'étalonnage des antennes directives

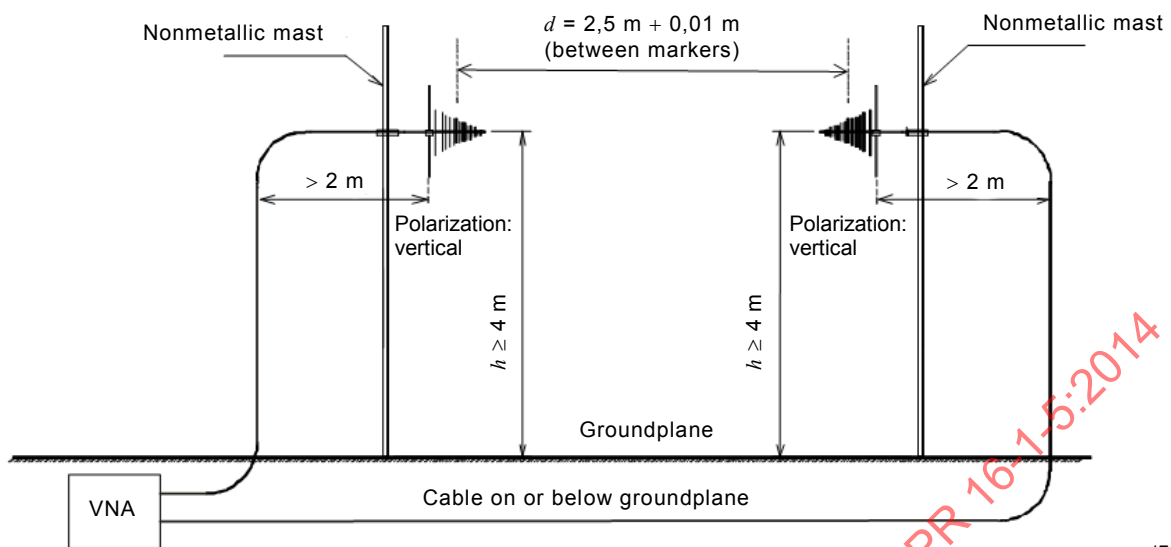
6.1 Validation de l'emplacement d'étalonnage en limitant la réflexion sur le sol par une hauteur ≥ 4 m

6.1.1 Procédure de mesure

Le présent paragraphe indique une procédure de validation d'un emplacement extérieur utilisé par la suite pour étalonner les antennes CEM, les antennes LPDA, les antennes hybrides et les antennes à cornet au-dessus de 200 MHz et jusqu'à 18 GHz, comme indiqué en 9.4 de la CISPR 16-1-6:2014. Un plan de sol n'est pas exigé, mais l'emplacement ne doit faire l'objet d'aucune réflexion provenant d'obstacles, selon les mêmes principes que ceux applicables à un CALTS. De même, il peut ne pas couvrir une surface aussi importante que celle couverte par un CALTS.

Si l'emplacement ne dispose pas d'un plan de sol ou d'une surface présentant un coefficient de réflexion stable, cette procédure de validation doit au départ être réalisée avant chaque utilisation de l'emplacement pour étalonner les antennes, jusqu'à ce que la réflexion la moins favorable, et donc la hauteur d'antenne minimale, soit identifiée. Le coefficient de réflexion du sol peut varier en fonction de la teneur en humidité et de la quantité de végétation, les réflexions sur les arbres alentours pouvant varier.

Outre la réflectivité du sol, la hauteur exigée pour des réflexions sur le sol indésirables acceptables dépend de la séparation et des directivités de la paire d'antennes, et de leur polarisation horizontale ou verticale. La polarisation verticale est préférentielle (voir la Figure 10) car les caractéristiques de plan E sont plus directives que celles du plan H, donnant une quantité inférieure de signal pointant vers le sol. Pour une incertitude cible spécifique, la hauteur d'antenne exigée est déterminée en commençant par une faible hauteur (2 m, par exemple), puis en élevant les antennes en tandem, par incrément maximal de $\lambda/8$, tout en surveillant le SIL.



IEC

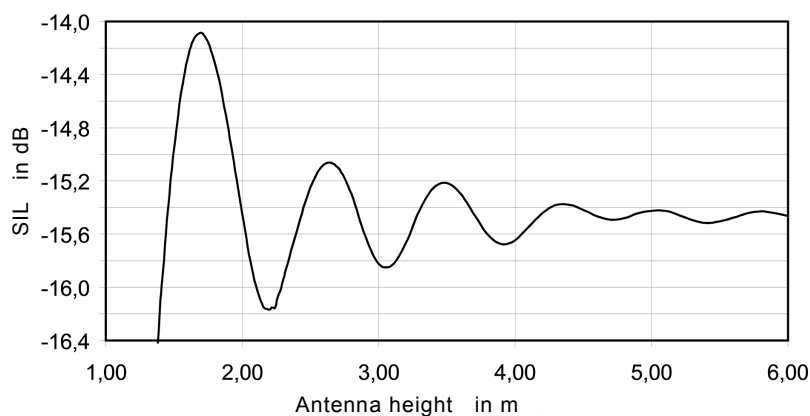
Légende

Anglais	Français
VNA	VNA
nonmetallic mast	Mât non métallique
polarization: vertical	polarisation: verticale
$d = 2,5 \text{ m} \pm 0,01 \text{ m}$ (between markers)	$d = 2,5 \text{ m} \pm 0,01 \text{ m}$ (entre les marqueurs)
groundplane	Plan de sol
cable on or below groundplane	Câble sur ou sous le plan de sol

Figure 10 – Exemple de montage d'antenne pour un étalonnage d'antenne LPDA dans la gamme de fréquences au-dessus de 200 MHz

Il s'agit de couvrir une gamme de hauteurs suffisante pour générer une ondulation sinusoïdale dans le SIL (voir l'exemple de trace à la Figure 11) à partir de laquelle l'amplitude crête à crête peut être déterminée. Par exemple, au-dessus de 1 875 MHz, un incrément de 0,02 m sur une traversée de hauteur minimale de 0,2 m peut être utilisé. L'ondulation est principalement le résultat d'une réflexion principale du sol interagissant de manière constructive et destructive avec le signal directement entre les antennes. Toutefois, les effets des réflexions de l'environnement (les bâtiments et les arbres, par exemple) seront superposés à la trace. Une tolérance pour l'emplacement est une ondulation crête à crête inférieure à 0,2 dB. Cette hauteur et cette séparation pour cette paire d'antennes et dans cet emplacement constituent l'emplacement d'étalonnage. La Figure 11 montre que la variation du SIL est inférieure à 0,2 dB à plus de 5 m de hauteur.

Toutefois, cette méthode ne permettrait pas de démontrer les réflexions des bâtiments élevés donnant une réflexion constante en fonction de la variation de la hauteur d'antenne. Le cas le moins favorable est une surface réfléchissante sur l'axe de l'antenne d'émission. La Figure 12 montre une antenne à cornet émettant vers une antenne omnidirectionnelle. Pour que ce type de réflexions participe à une incertitude inférieure à 0,2 dB, la différence des distances parcourues par le signal émis, A, vers l'antenne omnidirectionnelle, et par le signal réfléchi, B, entre le bâtiment et l'antenne omnidirectionnelle, doit être inférieure à 42 m. En d'autres termes, pour le scénario axial de la Figure 12, un bâtiment parfaitement réfléchissant doit se trouver à plus de 42 m de l'antenne à cornet. La distance par rapport au bâtiment peut être inférieure si l'antenne de réception présente un zéro dans la direction arrière. Pour les bâtiments et les clôtures métalliques, par exemple, parallèles à l'axe de visée, il convient de procéder à une analyse similaire, en tenant compte des caractéristiques de rayonnement des antennes.

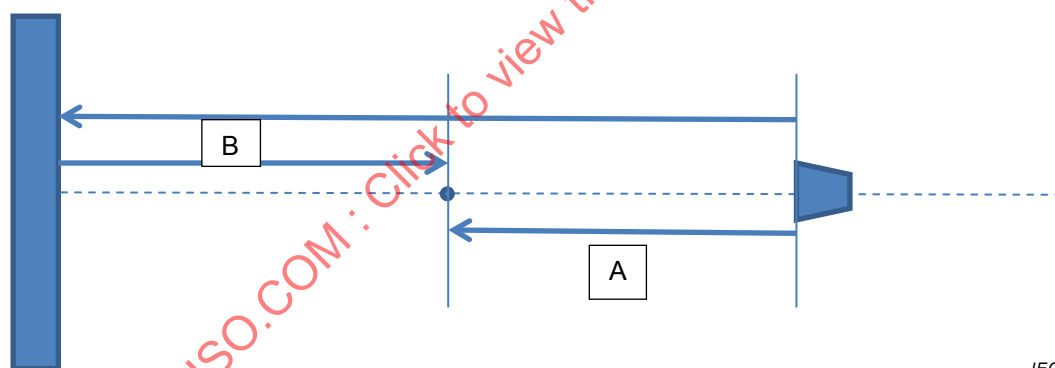


IEC

Légende

Anglais	Français
Antenna height in m	Hauteur de l'antenne en m
SIL in dB	SIL en dB

Figure 11 – Exemple de SIL par rapport à la hauteur d'antenne mesurée à 200 MHz avec deux antennes LPDA à polarisation verticale, à 2,5 m de distance entre leurs points médians au-dessus du plan de sol réfléchissant d'un OATS



IEC

Figure 12 – Illustration des distances entre une antenne cornet d'émission et une antenne de réception omnidirectionnelle et un bâtiment réfléchissant, et les chemins de signal A et B

6.1.2 Incertitudes

Le mesurande est la variation du signal reçu au fur et à mesure du balayage en hauteur des antennes. Un exemple de budget d'incertitude est donné au Tableau 10.

**Tableau 10 – Exemple de budget d'incertitude de mesure
de la méthode de validation d'emplacement de 6.1.1**

Source d'incertitude ou grandeur X_i	Valeur dB	Distribution de probabilité	Diviseur r	Sensibilité	u_i^a dB	Note ^c
Bruit du récepteur de mesure	0,02	Rectangulaire	$\sqrt{3}$	1	0,012	1)
Reproductibilité de la hauteur d'antenne à laquelle le critère est respecté	0,1	Normale	1	1	0,1	
Variation d'affaiblissement du câble en raison de la température ou de la flexion	0,15	Rectangulaire	$\sqrt{3}$	1	0,087	2)
Interférence RF ambiante en supposant un rapport signal/bruit du récepteur d'au moins 20 dB	0,086	Rectangulaire	$\sqrt{3}$	1	0,050	3)
Erreur de linéarité des signaux de faible niveau, en général < -70 dBm ^b	0,08	Rectangulaire	$\sqrt{3}$	1	0,046	4)
Incertitude-type composée, u_c					0,15	
Incertitude élargie ($k = 2$), U_{Val} d'emplacement en dB					0,30	
<p>^a Compte tenu de l'additivité du modèle, le coefficient de sensibilité, c_i, est l'unité de tous les composants. La précision en fréquence supposée est ≤ 10 ppm.</p> <p>^b 0,08 dB était la valeur indiquée dans la spécification du VNA et est donnée à titre d'exemple uniquement.</p> <p>^c Le numéro de chaque point correspond aux numéros de Note ci-dessous. Voir également l'Annexe E de la CISPR 16-1-6:2014 pour d'autres descriptions d'incertitude.</p> <p>Notes:</p> <p>1) Pour le bruit du récepteur, voir 6.2.4 de la CISPR 16-1-6:2014.</p> <p>2) Variation des affaiblissements de câble dans le temps entre la mesure de l'affaiblissement de référence (connexion directe) et la mesure du SIL (avec des antennes). Cela peut être supposé si l'étalonnage n'est pas réalisé dans des conditions d'environnement extrêmes (OATS présentant des variations de température de plus de 5 °C lors du processus d'étalonnage, par exemple). Il convient que le rayon de courbure minimal du câble soit disponible auprès du constructeur. Évaluer les effets de la courbure du câble par des mesures répétées.</p> <p>3) Il est supposé que les signaux ambiants à bande étroite peuvent être ignorés, et que le FA à ces fréquences peut être calculé par interpolation. Pour le bruit du récepteur, voir 1).</p> <p>4) Pour la linéarité du récepteur, voir 6.2.3 de la CISPR 16-1-6:2014.</p>						

6.2 Validation de l'emplacement d'étalonnage en limitant la réflexion sur le sol à l'aide d'un absorbant

Par ailleurs, les antennes peuvent être placées à une hauteur inférieure (2,5 m, par exemple) et séparées par un absorbant placé sur le sol. Il convient que la réflectivité du matériau absorbant soit inférieure à -40 dB à un angle d'incidence normal sur la gamme de fréquences d'étalonnage. En partant du principe que les points médians des antennes sont distants de 2,5 m, il convient d'utiliser une surface d'absorbant de 2,4 m de long en position centrale entre les antennes et une largeur minimale de 1,8 m. Le même principe de validation d'emplacement que celui présenté en 6.1 peut être utilisé.

D'autre part, les mesures peuvent être réalisées dans une grande enceinte complètement anéchoïque (FAR). Dans ce cas, pour la validation d'emplacement, la variation du SIL doit être surveillée dans deux directions: a) en faisant varier la hauteur d'antenne jusqu'à ce que la valeur minimale de la variation du SIL en fonction de la hauteur soit atteinte (s'apparente à la méthode de validation de 6.1.1), et b) en faisant varier les positions horizontales en tandem des deux antennes jusqu'à ce que la valeur minimale de la variation du SIL soit atteinte. La distance exigée entre les parois de la FAR, ainsi que le sol et le plafond, vont de nouveau dépendre des directivités d'antenne en polarisation horizontale et en polarisation verticale, de la même manière qu'en 5.2. Pour s'assurer de l'efficacité de l'absorbant sur les parois d'extrémité, la surveillance sera répétée sur toute la longueur de l'axe entre les antennes.

7 Validation d'emplacement par comparaison des facteurs d'antenne et application de la méthode d'emplacement de référence (RSM) pour évaluer l'incidence d'incertitude d'un emplacement SAC

7.1 Utilisation de la méthode d'antenne normalisée (SAM) pour la validation d'emplacement par comparaison des facteurs d'antenne

Le présent paragraphe décrit les conditions de validation d'un emplacement d'étalonnage spécifique en comparant les facteurs d'antenne mesurés sur un emplacement qui a été validé par une méthode indépendante. Un emplacement validé de cette manière convient à l'étalonnage d'antenne selon la méthode d'antenne normalisée (voir également A.9.4 de la CISPR 16-1-6:2014). Cette technique peut permettre de réaliser d'importantes économies en procurant un emplacement d'étalonnage, l'emplacement ayant uniquement besoin de fournir l'environnement de champ électromagnétique suffisant pour étalonner un type d'antenne particulier. En d'autres termes, il n'est pas utile de spécifier outre mesure l'emplacement pour satisfaire aux critères d'acceptation les moins importants des méthodes indiquées à l'Article 4, à l'Article 5 et à l'Article 6. Les méthodes présentées en 5.3 sont exclues en tant que méthodes alternatives indépendantes validées.

Cette technique s'adresse particulièrement aux constructeurs qui soumettent à essai de nombreux modèles d'antenne identiques. Toutefois, l'emplacement doit être soumis à essai pour chaque modèle d'antenne à étalonner. De légères variations des dimensions mécaniques des antennes sont tolérées (voir 8.3.3 de la CISPR 16-1-6:2014 pour obtenir des informations). L'Article 6 de la présente Norme repose sur un principe similaire à celui de 9.4 de la CISPR 16-1-6:2014, en ce sens que l'emplacement est validé par balayage en hauteur d'une paire d'antennes spécifique.

Par exemple, cette technique de validation d'emplacement par comparaison est avantageuse si un laboratoire d'étalonnage dispose d'un CALTS, mais souhaite procéder à des étalonnages supplémentaires en intérieur. Le facteur F_a mesuré dans une enceinte complètement anéchoïque peut être comparé au facteur F_a mesuré sur le CALTS. Si le laboratoire ne dispose pas d'un CALTS, il peut obtenir le facteur F_a de référence auprès d'un autre laboratoire d'étalonnage capable d'obtenir des résultats présentant de faibles incertitudes.

Cette technique présente également l'avantage (c'est-à-dire de déterminer dans quelle mesure le facteur F_a est conforme au facteur F_a de référence) de pouvoir adapter la méthode d'étalonnage. Par exemple, en 9.2.2 de la CISPR 16-1-6:2014, les antennes biconiques sont étalonnées selon la méthode d'antenne normalisée (SAM) à l'aide d'une séparation d'antenne ≥ 4 m. Cette réduction de 10 m s'est avérée acceptable d'un point de vue expérimental selon cette méthode de comparaison, avec l'avantage de pouvoir utiliser une enceinte complètement anéchoïque plus petite.

Cette technique est utile pour étendre la gamme de fréquences d'un emplacement d'étalonnage qui a déjà été validée. Un exemple est l'exigence d'étalonnage d'une antenne à cornet jusqu'à 900 MHz dans une enceinte complètement anéchoïque qui a été validée pour des étalonnages d'antenne à cornet au-dessus de 1 GHz. Au lieu de répéter la méthode de validation jusqu'à 900 MHz, une alternative consiste à obtenir un facteur F_a de référence pour l'antenne à cornet, puis de déterminer dans quelle mesure le facteur F_a mesuré dans l'enceinte complètement anéchoïque est conforme.

Un environnement en espace libre intérieur adapté peut être obtenu dans un espace suffisamment large dans lequel les extrémités de l'antenne se trouvent à au moins 1 m d'une surface à revêtement absorbant. L'AEE et l'antenne à paire doivent être séparées d'au moins 1λ , mais les antennes biconiques étant électriquement courtes sous 50 MHz, une séparation de 5 m s'avère adaptée à des fréquences aussi basses que 30 MHz. Des séparations plus importantes sont souhaitables. En effet, plus les antennes sont proches, plus le facteur d'antenne obtenu est sensible aux positions des antennes. De même, si le choix est fait de limiter la taille de l'enceinte, plus la quantité d'absorbant est faible, plus le facteur d'antenne obtenu est sensible au positionnement des antennes et à leur couplage mutuel aux surfaces

métalliques. Les meilleurs résultats sont obtenus lorsque le modèle de STA est le même que celui de l'AEE, et qu'elle est replacée dans le même emplacement que l'AEE, selon une tolérance supérieure à ± 5 mm dans les trois axes cartésiens, pour des fréquences inférieures à 1 GHz.

L'incertitude du facteur F_a mesuré est obtenue en ajoutant arithmétiquement à l'incertitude du facteur F_a de référence la différence entre elles, plus une marge de reproductibilité de ce processus. Cette incertitude ajoutée peut être réduite par des mesures de comparaison répétées d'un type d'antenne donné, puis en utilisant l'écart-type des résultats.

Cette méthode de validation d'un emplacement repose strictement sur l'obtention des mêmes facteurs d'antenne, dans la tolérance souhaitée et pour un modèle d'antenne donné. Elle part du principe que l'emplacement ne change pas, pour les étalonnages subséquents selon la méthode d'antenne normalisée du même modèle d'antenne, de faibles variations étant admises, conformément au deuxième alinéa du présent paragraphe. En cas de changements, y compris de la disposition de certains composants (les antennes, les mâts et les câbles, par exemple), la validation initiale doit être répétée.

Cette méthode de validation d'un emplacement n'est pas adaptée aux antennes présentant des imperfections (faible déséquilibre de symétriseur qui peut affecter les performances d'une antenne pendant et entre les étalonnages, par exemple). Le processus de validation peut être plus intensif que celui des emplacements spécifiés pour être conforme à des méthodes de validations normales. Il s'adresse à des opérateurs qui souhaitent étalonner plusieurs modèles d'antenne identiques.

7.2 Application de la méthode d'emplacement de référence (RSM) pour évaluer l'incidence d'incertitude de mesure d'un emplacement d'étalonnage composé d'une enceinte semi-anéchoïque

La validation d'emplacement par comparaison des facteurs d'antenne selon la méthode d'antenne normalisée (SAM) est abordée en 7.1. La validation d'emplacement peut également être réalisée en comparant les facteurs d'antenne mesurés sur un CALTS selon la méthode des trois antennes (TAM) ou la méthode d'emplacement normalisé (SSM) à ceux mesurés sur un emplacement d'étalonnage à valider. Cela peut être réalisé selon la méthode d'emplacement de référence (RSM) utilisant la polarisation horizontale. Le présent paragraphe décrit les conditions de validation d'un emplacement d'étalonnage composé d'une enceinte semi-anéchoïque selon procédure de base de la méthode d'emplacement de référence (RSM) décrite dans la CISPR 16-1-4. L'incidence obtenue de l'incertitude de mesure d'un emplacement d'étalonnage validé selon cette méthode est en général plus importante que celle d'un CALTS.

Un emplacement validé selon cette méthode convient à l'étalonnage d'antenne selon la méthode d'emplacement normalisé (voir la CISPR 16-1-6). Cette technique de validation peut assurer une économie importante en plaçant un emplacement d'étalonnage dans une enceinte semi-anéchoïque, l'emplacement pouvant uniquement être validé à l'aide d'antennes à large bande de taille limitée afin d'étalonner un type d'antenne particulier. Il n'est pas utile de spécifier outre mesure l'emplacement pour satisfaire aux critères d'acceptation les moins importants des méthodes présentées à l'Article 4, à l'Article 5 et à l'Article 6.

NOTE L'incertitude des FA mesurés dans des enceintes semi-anéchoïques de 10 m faisant office d'emplacement d'étalonnage peut être de l'ordre de 1,5 dB.

Cette technique de validation d'emplacement à l'aide d'une fonction de transfert, A_{APR} en l'occurrence (voir par exemple l'Article 5 de la CISPR 16-1-4:2010, AMD1:2012), présente un avantage si le laboratoire d'étalonnage ne dispose pas d'un CALTS; mais souhaite procéder aux étalonnages dans une chambre semi-anéchoïque. Le laboratoire peut obtenir la valeur A_{APR} de référence auprès d'un autre laboratoire d'étalonnage (un institut de mesures national, par exemple), qui est en mesure de donner des résultats présentant de faibles incertitudes.

Cette procédure de validation est applicable pour la polarisation horizontale en utilisant des antennes communes telles que des antennes biconiques, LPDA ou hybrides. La procédure de validation doit être réalisée pour des caractéristiques d'antenne classiques, étant donné qu'elles peuvent différer de manière significative en raison des caractéristiques d'antenne. Par exemple, une directivité plus élevée ou un rapport des rayonnements avant et arrière différent dans les caractéristiques de rayonnement peut avoir un impact différent sur les interactions (des parois, des mâts ou des câbles, par exemple).

En règle générale, une chambre semi-anéchoïque présente des dimensions limitées et des caractéristiques uniques en raison de la taille, de la géométrie et du matériau de la chambre à revêtement absorbant elle-même. Par conséquent, une petite chambre semi-anéchoïque ne peut pas être qualifiée de CALTS avec des antennes doublets accordées. Malgré tout, une manière raisonnable de qualifier et de quantifier une chambre semi-anéchoïque consiste à utiliser la méthode d'emplacement de référence (RSM) qui peut être appliquée à l'aide d'une fonction de transfert (c'est-à-dire une paire d'antennes comme norme de transfert) qui a été étalonnée sur un CALTS/REFTS avec une faible incertitude de mesure associée.

La procédure, qui consiste fondamentalement à mesurer une paire d'antennes, l'une étant à une hauteur de 2 m et son homologue étant balayée entre 1 m et 4 m de hauteur à une distance de 10 m, doit être réalisée sur un axe de mesure pertinent dans la chambre à revêtement absorbant. Pertinent signifie ici que l'affaiblissement d'emplacement de l'axe s'écarte le moins possible de celui d'un OATS idéal. La détermination expérimentale de l'axe pertinent peut être assurée en considérant les mesures existantes de l'ANE de la chambre à revêtement absorbant. L' A_S mesuré dans une chambre semi-anéchoïque peut être comparé à l' A_S théorique (voir 5.4 of CISPR 16-1-4:2010, AMD1:2012) à l'aide de l' A_{APR} étalonné sur un CALTS ou un REFTS.

Compte tenu des différentes dimensions mécaniques des types d'antenne habituels, il n'est pas toujours suffisant de procéder à la validation sur un seul axe de mesure avec des positions d'antenne fixes. Dans le cas d'un AEE plus large que les antennes utilisées lors de la mesure de validation initiale, le volume correspondant de l'AEE doit être validé par une ou plusieurs mesure(s) supplémentaire(s). Étant donné que la détermination d'un axe de mesure pertinent est une opération plutôt complexe, il convient d'évaluer un volume correspondant pour les tailles d'antenne les plus fréquentes lors du processus de validation primaire avant de procéder aux étalonnages. Les étalonnages d'antenne dépassant le volume validé ne sont pas valides.

La différence obtenue entre l' A_S mesuré et l' A_S théorique (en appliquant l' A_{APR} des fonctions de transfert qui étalonnées sur le CALTS/REFTS) doit être considérée dans l'incertitude de mesure globale de l'étalonnage d'antenne subséquent. Si plusieurs mesures de validation sont applicables pour qualifier un volume d'essai plus important, l'incertitude maximale de toutes les mesures de validation doit être incluse dans l'incertitude de mesure globale.

L'évaluation de l'incertitude pour les résultats de validation est très proche de celle du CALTS, les mesures et les alignements pendant la validation étant réalisés avec des équipements et exigences d'essai similaires (voir Tableau 2 et Tableau 11). Une seule incidence d'incertitude supplémentaire pour les résultats de validation d'emplacement est prise en compte, en raison de la/des fonction(s) de transfert utilisée(s) (c'est-à-dire l' A_{APR}) plutôt que des doublets calculés. Cette fonction de transfert présente une incertitude de mesure qui doit être considérée dans l'incertitude de mesure globale des résultats de FA provenant de l'emplacement d'étalonnage.

Tableau 11 – Tolérances maximales pour le montage de validation à $d = 10$ m

Paramètre	Tolérance maximale	Paragraphe
d	$\pm 0,04$ m	4.4.2.3
h_t	$\pm 0,01$ m	4.4.2.4
h_r	$\pm 0,01$ m	4.4.2.5
f	$\pm 0,001f$	4.4.3.2

STANDARDSISO.COM : Click to view the full PDF of CISPR 16-1-5:2014

Annexe A (informative)

Caractéristiques et validation du CALTS

A.1 Généralités

Les spécifications normatives de la présente Norme signifient que, de façon générale, un CALTS est un type particulier d'OATS. Cependant, les spécifications normatives n'exigent pas qu'un CALTS doive toujours être un OATS. Par conséquent, un CALTS peut être protégé des conditions climatiques, ou situé dans une vaste mine de sel, etc., du moment que toutes les spécifications normatives sont satisfaites. Un CALTS peut également être utile lorsque la réflexion sur le sol n'est pas utilisée, la validation d'un CALTS incluant les limitations des réflexions des objets environnants. De plus, un plan de sol offre une surface plane rigide facilitant l'alignement des antennes. Les considérations évoquées en A.2 et A.3 s'appliquent également pour un REFTS. Les détails de l'emplacement d'essai sont donnés à l'Article 5 de la CISPR 16-1-4:2010, AMD1:2012. Des informations complémentaires sont données dans la présente Annexe.

A.2 Plan réfléchissant

A.2.1 Construction du plan réfléchissant

Le plan (de sol) réfléchissant peut être constitué d'une feuille ou d'un grillage. Il convient que cette feuille ou ce grillage soit de préférence soudé de façon continue aux bords, ou à des distances le long du bord inférieures à $\lambda_{\min}/10$, où λ_{\min} est la longueur d'onde associée à la fréquence la plus élevée à prendre en compte. Si un grillage est choisi, il convient de veiller à ce que les fils qui se croisent assurent un bon contact électrique entre eux. Il convient que le maillage du grillage soit inférieur à $\lambda_{\min}/18$ pour donner une incidence d'incertitude inférieure à 0,1 dB dans le SA pour la polarisation verticale et la polarisation horizontale et des angles d'incidence de 79° par rapport à la normale, ce qui représente des antennes à 1 m de hauteur séparées de 10 m. L'erreur est bien inférieure pour la polarisation horizontale [27].

L'épaisseur du matériau employé est déterminée par les exigences de solidité mécanique et de stabilité. Une valeur de conductivité supérieure ou égale à celle du fer est suffisamment élevée. La forme du plan n'a pas beaucoup d'importance, du moment que le plan ne présente pas la forme elliptique d'une zone de Fresnel (voir A.2.2). En principe, une planéité et une rugosité [8] $\leq \pm 10$ mm, c'est-à-dire $\leq \pm \lambda/30$ à 1 000 MHz, suffisent. Une couche de protection placée sur le plan réfléchissant peut modifier la phase de l'onde réfléchie [9]. Il convient que la couche ne modifie pas ϕ défini dans la Note 2 de 3.1.2.6 de plus de $\pm 3^\circ$. Une fine couche de peinture blanche époxy, par exemple, s'est révélée ne pas affecter les propriétés de réflexion RF du plan de sol, tout en réduisant la dilatation thermique du plan.

Les dimensions horizontales du plan doivent être suffisamment grandes pour que l'influence des dimensions finies du plan sur la marge d'incertitude associée aux étalonnages d'antenne subséquents soit suffisamment faible. Malheureusement, aucun modèle théorique n'est disponible pour l'instant qui permette de relier les dimensions minimales du plan horizontal à une marge d'incertitude maximale pour un étalonnage d'antenne. Un critère est qu'il convient d'inclure la première zone de Fresnel dans le plan réfléchissant ([6], [7] et [8]). Cela donne un plan aux dimensions minimales de 20 m (longueur) par 15 m (largeur). Toutefois, à la fréquence la plus basse de 30 MHz, et avec une séparation d'antenne de 10 m, cela donne uniquement $\lambda/2$ (où λ est une longueur d'onde) jusqu'aux extrémités du plan de sol ou $\lambda/4$ des bords d'un doublet de 30 MHz. Il convient d'utiliser une distance minimale de λ par rapport au centre de l'antenne, ce qui implique des dimensions minimales de 30 m par 20 m.

Si le plan de sol est plus petit, il convient qu'il satisfasse aux critères d'acceptation d'emplacement tant dans la polarisation horizontale que dans la polarisation verticale. Le couplage des antennes à polarisation verticale est moindre que celui des antennes à polarisation horizontale. Par conséquent, un plan de sol plus petit peut être utilisé pour la polarisation verticale. De même, lorsque la réflexion par le plan de sol n'est pas utilisée, comme cela est le cas pour l'étalonnage des antennes LPDA à plus de 4 m de hauteur, la surface du sol sous les antennes peut ne pas être conforme à la dimension minimale du plan de sol. La difficulté de la modélisation réside en partie sur la manière de terminer le plan de sol à sa périphérie. La connexion du grillage tout autour de la périphérie et son rétrécissement progressif dans la terre humide environnante peuvent améliorer les performances, mais la conductivité de la terre dépend de son humidité, cette pratique ne garantissant pas une amélioration.

A.2.2 Effets des bords du plan et environnement du plan

Lorsque les dimensions du plan réfléchissant sont limitées, le bord de ce plan constitue automatiquement une transition (discontinuité) vers un milieu aux propriétés de réflexion différentes, de sorte que les ondes électromagnétiques peuvent être diffusées sur ce bord et influencer involontairement les résultats de mesure. Une diffraction sur les bords se produit généralement en polarisation verticale, mais est négligeable en polarisation horizontale [12].

Entre autres choses, l'importance de la diffraction varie si le plan réfléchissant est situé dans le même plan que le sol environnant (un sol humide ou sec peut déjà induire une différence [10]) ou si le plan réfléchissant est élevé (au sommet d'un toit, par exemple). Des résultats de recherches sont donnés dans [11], où il est également montré qu'il convient que le plan réfléchissant ne prenne jamais la forme de la première ellipse de Fresnel car, dans ce cas, les incertitudes introduites par la diffraction peuvent s'ajouter.

Les bords du plan réfléchissant peuvent être mis à la terre en plusieurs points sur le sol environnant et si le sol a une bonne conductivité (s'il est humide, par exemple) il constitue une bonne extension du plan réfléchissant métallique [12].

Si des obstacles potentiellement réfléchissants se trouvent à moins de 30 m environ des bords du plan réfléchissant, il convient de vérifier que l'influence de ces obstacles peut être négligée. Cette vérification peut être réalisée au moyen de mesures par balayage de fréquence à l'aide de doublets calculés de longueur fixe (l'ensemble présenté au Tableau A.1, par exemple, où f_r est la fréquence de résonance du doublet et B_s la largeur de bande suggérée).

En l'absence d'anomalies, la réponse varie de façon lente. Des anomalies peuvent présenter des résonances à bande relativement étroite qui vont être superposées à cette réponse. Ces résonances identifient les fréquences précises auxquelles les réflexions sur des obstacles sont les plus importantes. L'emplacement d'un obstacle suspecté peut être vérifié à ces fréquences en plaçant une grande plaque métallique devant lui selon une orientation qui produit un effet maximal, pour exagérer l'effet de résonance.

Tableau A.1 – Exemple d'antennes doublets calculés de longueur fixe et de la subdivision de leur gamme de fréquences comprise entre 30 MHz et 1 000 MHz

f_r MHz	B_s MHz
60	30 à 100
180	100 à 300
400	300 à 600
700	600 à 1 000

A.3 Matériels associés

Il convient de prendre des précautions pour que les éléments tels que le matériau du mât d'antenne, les adaptateurs, les cordes, les effets de l'humidité des mâts et cordes, le guidage des câbles, les connecteurs, la présence éventuelle d'une table tournante si le CALTS est également utilisé comme COMTS n'influencent pas les résultats de mesure. Dans ce cas, les mesures par balayage de fréquence (également mentionnées en A.2) peuvent révéler d'éventuels problèmes.

Un emplacement d'étalonnage peut ne pas satisfaire aux critères d'acceptation en raison des réflexions des supports d'antenne et des câbles. Dans le premier exemple, l'origine des réflexions peut être inconnue. Il convient donc d'exclure les réflexions significatives des supports d'antenne. Les effets des supports d'antenne peuvent être limités en utilisant des mâts légers (un tube en fibre de verre à paroi mince, par exemple, dont le peu de parties métalliques se limite à de courts boulons essentiels). D'autre part, des blocs de mousse de polystyrène peuvent être utilisés, en particulier à des fréquences supérieures à 500 MHz, où les antennes ont des plans H uniformes, (les doublets, par exemple).

Les principaux composants des mâts étant verticaux et les câbles sortant verticalement, les réflexions sont susceptibles d'être plus importantes pour les antennes à polarisation verticale. Une procédure de détermination de l'amplitude des réflexions du mât et des câbles est présentée en A.2.3 de la CISPR 16-1-6:2014.

A.4 Essai de validation rigoureux du CALTS supplémentaire

A.4.1 Généralités

La validation d'un emplacement par détermination d'un SIL minimal (un signal maximal, par exemple) est présentée en 4.4.1 et décrite en 4.4.4. Un essai plus rigoureux consiste à mesurer un SIL maximal (un signal minimal) ou nul (voir également NOTE 1 de 4.2.2). Il s'agit d'une méthode valable permettant de confirmer les différences entre le SIL mesuré et le SIL théorique qui sont beaucoup plus petites que les critères d'acceptation, et donc d'établir des incertitudes plus faibles quant aux performances d'un emplacement d'étalonnage. La procédure implique d'établir un zéro dans la réponse du signal (voir 3.1.3.2) suite au couplage de deux antennes doublets à polarisation horizontale au-dessus d'un plan de sol. Une attention particulière doit également être accordée à la réduction des réflexions des mâts et des câbles (voir A.3).

Il existe deux autres manières de produire un SIL maximal. La première procédure, décrite en A.4.2, consiste à balayer la hauteur de l'une des antennes d'essai pour rechercher le SIL maximal, puis à comparer les hauteurs mesurées et calculées de cette antenne correspondant à ce maximum. La deuxième procédure, décrite en A.4.3, consiste à utiliser des hauteurs d'antenne fixes et à balayer la fréquence pour rechercher le SIL maximal, puis à comparer les fréquences mesurées et calculées correspondant à ce maximum.

Il convient que les hauteurs d'antenne mesurées ou la fréquence mesurée se trouvent dans une certaine marge de valeurs théoriques calculées en A.4.2.3 et en A.4.3.3, respectivement. A l'exception des incertitudes dans les diverses valeurs mesurées, cette marge prend également en compte les tolérances autorisées dans la configuration d'essai. Les fréquences suggérées sont des exemples. Les principes peuvent être appliqués à toutes les fréquences.

A.4.2 Mesures par balayage en hauteur de l'antenne

A.4.2.1 Généralités

Les mesures par balayage en hauteur de l'antenne de réception sont réalisées à trois fréquences spécifiées f_s et avec des antennes doublets adaptées. Le présent paragraphe décrit les trois mesures par balayage en hauteur de l'antenne nécessaires permettant de

déterminer la hauteur de l'antenne de réception $h_{r,\max}$ à laquelle le SIL atteint un maximum net, également appelé zéro du signal.

A.4.2.2 Méthode de mesure

A.4.2.2.1 Utiliser le montage d'essai décrit en 4.4.2, l'antenne d'émission à polarisation horizontale étant placée à une hauteur de 2 m et à 10 m de l'antenne de réception. La hauteur du centre de l'antenne de réception au-dessus du plan réfléchissant doit pouvoir être balayée sur la gamme $1,0 \text{ m} \leq h_r \leq 4,0 \text{ m}$.

A.4.2.2.2 Aux trois fréquences, f_s , de 300 MHz, 600 MHz et 900 MHz, l'antenne de réception est élevée d'une hauteur de $h_r = 1,0 \text{ m}$ à une hauteur de $h_{r,\max}(f_s)$ correspondant au premier maximum net du SIL.

NOTE La valeur réelle du minimum lu sur le récepteur n'a pas d'intérêt. Elle sert simplement à déterminer $h_{r,\max}(f_s)$.

A.4.2.2.3 La hauteur $h_{r,\max}(f_s)$ est mesurée et enregistrée avec son incertitude de mesure associée $\Delta h_{r,\max}(f_s)$.

A.4.2.3 Critère d'acceptation

Voir également 4.5.3 et Figure 7 pour l'application du présent paragraphe. Le CALTS satisfait au critère de hauteur d'antenne de réception pour le maximum de SIL si, aux trois fréquences f_s (c'est-à-dire 300 MHz, 600 MHz, 900 MHz):

$$|h_{rc} - h_{r,\max}| < T_{hr} - \Delta h_{rm} \quad (\text{A.1})$$

où

h_{rc} est la hauteur théorique, en m, de l'antenne de réception à laquelle le zéro se produit;

$h_{r,\max}$ est la hauteur mesurée de l'antenne de réception, en m;

Δh_{rm} est l'incertitude de mesure de la hauteur de l'antenne de réception ($k = 2$), en m, déduite en A.4.2.4;

T_{hr} est la tolérance admise de $h_{r,\max}$.

Pour h_{rc} , si le doublet est calculé, une option consiste à calculer le SIL comme indiqué à l'Annexe C, en utilisant les données de l'antenne d'essai accompagnées par l'application de 4.3.2 g) et en utilisant les paramètres géométriques réels L_a , d , h_t ainsi que la fréquence réelle f_s .

Sauf indication contraire dans la norme d'étalonnage de l'antenne exigeant l'utilisation d'un CALTS, la tolérance admise est $T_{hr} = 0,05 \text{ m}$.

A.4.2.4 Incertitude de mesure

L'incertitude de mesure Δh_{rm} dans la hauteur mesurée de l'antenne de réception $h_{r,\max}$ définie en A.4.2.3 est donnée par l'équation suivante:

$$\Delta h_{rm} = \sqrt{(\Delta h_{r,\max})^2 + (\Delta h_{rt})^2} \quad (\text{A.2})$$

où

$\Delta h_{r,\max}$ est défini en A.4.2.2;

Δh_{rt} représente la sensibilité de $h_{r,\max}$ par rapport aux tolérances sur les

paramètres (les valeurs maximales sont données au Tableau 2).

Δh_{rt} peut être calculé en utilisant le modèle donné en C.1.4.4.

Si les tolérances des paramètres satisfont à celles données au Tableau 2, $\Delta h_{rt}(k = 2) = 0,025$ m peut être utilisé aux trois fréquences spécifiées. Dans ce cas, les calculs de Δh_{rt} peuvent ne pas être réalisés, ni les résultats reportés dans le rapport de validation du CALTS.

NOTE Une justification de $\Delta h_{rt}(k = 2) = 0,025$ m est donnée en C.1.4.4.

A.4.3 Mesures par balayage en fréquence

A.4.3.1 Généralités

Si des mesures par balayage en fréquence sont réalisées, les deux antennes sont placées à des hauteurs fixes et un balayage en fréquence est réalisé dans trois gammes de fréquences différentes. Le présent paragraphe décrit les trois mesures par balayage de fréquence permettant de déterminer la fréquence f_{max} à laquelle le zéro du signal se produit (voir la définition en 3.1.3.2).

A.4.3.2 Méthode de mesure

A.4.3.2.1 Utiliser le montage d'essai décrit en 4.4.2, l'antenne d'émission à polarisation horizontale étant placée à une hauteur de 2 m et à 10 m de l'antenne de réception.

A.4.3.2.2 Procéder aux trois balayages en fréquence sur les fréquences, f_s , indiquées au Tableau A.2, l'antenne de réception étant placée à la hauteur correspondante, h_{rs} .

Tableau A.2 – Hauteurs et fréquences centrales de l'antenne de réception

h_{rs} m	f_s MHz
2,65	300
1,30	600
1,70	700

A.4.3.2.3 Procéder au balayage à partir d'une fréquence bien inférieure à f_s (inférieure de 100 MHz à f_s , par exemple) jusqu'à une valeur $f_{max}(h_{rs})$ correspondant au maximum net dans le SIL, c'est-à-dire le minimum du niveau lu dans le récepteur.

NOTE La valeur réelle du minimum lu sur le récepteur ne présente pas d'intérêt. Elle sert seulement à trouver $f_{max}(h_{rs})$.

A.4.3.2.4 La fréquence $f_{max}(h_{rs})$ est enregistrée avec son incertitude de mesure associée $\Delta f_{max}(h_{rs})$.

A.4.3.3 Tolérance d'acceptation

Voir également 4.5.3 et Figure 7 pour l'application du présent paragraphe. Le CALTS satisfait au critère de fréquence pour un maximum dans le SIL si, aux hauteurs d'antenne de réception h_{rs} :

$$|f_c - f_{max}| < T_f - \Delta f_m \tag{A.3}$$

où

f_c est la fréquence théorique, en MHz, à laquelle le zéro se produit;

- f_{\max} est la fréquence mesurée, en MHz;
 Δf_m est l'incertitude de mesure de fréquence ($k = 2$), en MHz, déduite en A.4.3.4;
 T_f est la tolérance autorisée pour f_{\max} .

Pour f_c , si le doublet est calculé, une option consiste à calculer le SIL comme indiqué à l'Annexe C, en utilisant les données de l'antenne d'essai accompagnées par l'application de 4.3.2 g) et en utilisant les paramètres géométriques réels L_a , d , h_t , et h_{rs} .

Sauf indication contraire dans la norme d'étalonnage de l'antenne exigeant l'utilisation d'un CALTS, la tolérance admise est $T_f = 0,03 f_c$.

A.4.3.4 Incertitude de mesure

L'incertitude de mesure Δf_m à la mesure de fréquence f_{\max} telles que définie en A.4.3.3, est donnée par l'équation suivante:

$$\Delta f_m = \sqrt{(\Delta f_{\max})^2 + (\Delta f_t)^2} \quad (\text{A.4})$$

où

- Δf_{\max} est défini en A.4.3.2;
 Δf_t en MHz, représente la sensibilité de f_{\max} aux tolérances sur les paramètres (les valeurs maximales sont données au Tableau 2).

Δf_t peut être calculé en utilisant le modèle donné en C.1.4.5.

Si les tolérances sur les paramètres satisfont à celles données au Tableau 2, $\Delta f_t (k = 2)/f_c = 0,015$ (sans dimension) peut être utilisé aux trois hauteurs d'antenne de réception spécifiées. Dans ce cas, les calculs de Δf_t peuvent ne pas être réalisés, ni les résultats reportés dans le rapport de validation du CALTS.

NOTE Une justification de $\Delta f_t (k = 2)/f_c = 0,015$ est donnée en C.1.4.5.

Annexe B (informative)

Considérations sur l'antenne d'essai

B.1 Généralités

Un exemple d'antenne d'essai est présenté en B.2. L'Article B.3 traite de la détermination des propriétés du symétriseur à partir des mesures du paramètre S et/ou des mesures d'affaiblissement d'insertion, telles que mentionnées en 4.3.2 f). Une autre description de certains matériaux de B.3 est donnée en C.2.

B.2 Exemple et vérification d'une antenne d'essai

Un exemple d'antenne d'essai, reposant sur [12] et [14], est présenté à la Figure B.1. Le symétriseur de l'antenne est composé des éléments suivants et présente les caractéristiques ci-après.

- a) Un coupleur hybride 180° 3 dB dont l'accès de sommation (Σ) est toujours terminé par l'impédance de charge caractéristique (supposée être de 50Ω), l'accès différentiel (Δ) étant l'accès d'entrée/de sortie de l'antenne d'essai.
- b) Des câbles coaxiaux semi-rigides reliés aux accès symétriques A et B du coupleur hybride par des connecteurs de haute qualité (des connecteurs SMA, par exemple). Les câbles ont une longueur d'au moins 0,8 m, cette longueur étant également utilisée pour séparer l'antenne filaire des réflexions sur le mât ou le coupleur.
- c) Des atténuateurs 3 dB à la sortie des câbles semi-rigides, qui agissent comme des dispositifs d'adaptation ou de stabilisation d'impédance (M), auxquels les éléments de câble sont reliés par des connecteurs SMA. Ces connecteurs forment les accès A et B (ou les accès C et D) mentionnés en 4.4.4 et à l'Annexe C. Les conducteurs externes de ces connecteurs sont en contact électrique près de l'antenne filaire, en général par soudage des conducteurs extérieurs des câbles semi-rigides au point d'exposition des conducteurs intérieurs. Ce point de contact est le point de référence du symétriseur lors des mesures du paramètre S .

Il convient que le fil exposé dépassant de l'extrémité du câble semi-rigide soit aussi court que possible (2,5 mm, par exemple). Il convient d'effiler l'extrémité de l'élément filaire, ou son extension en laiton dans le boîtier de l'élément, de manière à pouvoir souder l'extrémité exposée du fil intérieur du câble coaxial. Les éléments peuvent être une tige en laiton pour les fréquences supérieures ou un tube en acier inoxydable à paroi mince, et donc léger, pour les fréquences inférieures.

- d) Le SIL entre une paire d'antennes identiques peut être calculé très précisément. Ici, le terme "identique" sous-entend que les exigences de 4.3.2 sont satisfaites. Une conception soignée est exigée pour la zone d'alimentation des éléments filaires. Le NEC ne peut pas modéliser l'écart entre les deux moitiés d'un élément filaire, ni le morceau de matériau diélectrique nécessaire au soutien des éléments en ligne. Il a été déterminé que l'écart et le matériau diélectrique ont un impact négligeable sur les performances de l'antenne lorsque l'écart est inférieur à 9 mm [voir 4.3.2 c)] et que la longueur et le volume de matériau diélectrique soient suffisants pour assurer un soutien robuste d'un doublet de longueur donnée.

Par exemple, il a été estimé que les dimensions de support suivantes ont un effet inférieur à 0,02 dB à 30 MHz et inférieur à 0,10 dB à 700 MHz: 1) pour le doublet de 30 MHz (voir le Tableau C.1), un écart de 9 mm et un cylindre Tufnol de 22 mm de diamètre et 130 mm de long; et 2) pour le doublet de 700 MHz, un écart 3,6 mm et un cuboïde de Delrin (PTFE usinable) de 16 mm par 13 mm par 10 mm, 30 % du volume étant retiré pour l'accès aux extrémités de connecteur à pousser.

- e) La précision à laquelle les performances du doublet peuvent être calculées peut être confirmée par trois méthodes de mesure, décrites dans les points 1), 2) et 3) ci-après. Les deux premières reposent sur un emplacement d'étalonnage de qualité supérieure. La troisième s'appuie sur des mesures réalisées dans le champ proche présentant des exigences moins strictes quant à la qualité de l'emplacement. Un emplacement de qualité élevée est un emplacement donnant un accord entre le SIL mesuré et le SIL prévu des doublets résonants supérieur à 0,3 dB entre 30 MHz et 500 MHz, et supérieurs à 0,4 dB entre 501 MHz et 1 000 MHz. L'emplacement satisfait aux exigences de l'Annexe A, mais une dimension plus importante du plan de sol peut s'avérer nécessaire pour les fréquences inférieures à 60 MHz. De même, à 1 000 MHz, une planéité inférieure à ± 5 mm du plan de sol peut s'avérer nécessaire.

Il convient que les supports d'antenne (les mâts, par exemple) soient non réfléchissants, conformément aux recommandations de A.2.3 de la CISPR 16-1-6:2014. La mesure du SIL avec plusieurs combinaisons de hauteurs et de séparations d'antenne et à plusieurs fréquences peut permettre de tirer des conclusions quant à la proportion de la différence entre les résultats mesurés et les résultats prévus en raison de la qualité de l'emplacement ou de la conception d'antenne. La différence entre la mesure et la prévision est incluse dans le budget d'incertitude du SIL. L'incertitude appliquée au budget FA équivaut à la moitié de cette valeur.

- 1) Méthode 1: Mesurer le SIL entre une paire d'antennes d'essai identiques sur un plan de sol de qualité élevée et comparer la mesure au SIL prévu intégrant les paramètres S mesurés du symétriseur.
- 2) Méthode 2: Mesurer le facteur d'antenne sur un emplacement de plan de sol de qualité élevée par la méthode des trois antennes (TAM) (voir 7.4.1.2 de la CISPR 16-1-6:2014). Comparer le facteur d'antenne mesuré au facteur d'antenne prévu (voir C.2.5 pour le calcul). Cette méthode surmonte les objections occasionnelles à la Méthode 1 selon lesquelles "la simple concordance du SIL mesuré et du SIL théorique ne prouve pas que les antennes d'essai, les mesures et le modèle sont corrects." De même, voir C.1.1 pour obtenir une confirmation du modèle NEC par des équations analytiques.
- 3) Méthode 3: Mesurer le SIL entre une paire d'antennes d'essai identiques dans leur champ proche. Une chambre complètement anéchoïque peut être utilisée pour satisfaire aux exigences de 5.3.2. Comparer le SIL mesuré au SIL prévu intégrant les paramètres S mesurés du symétriseur. Plus la séparation entre les antennes est petite, plus petite sera l'influence des réflexions des murs de la chambre complètement anéchoïque et des montages d'antenne. La distance de séparation suggérée est de $\lambda/2\pi$, où λ est la longueur d'onde à la fréquence de résonance de l'élément filaire.

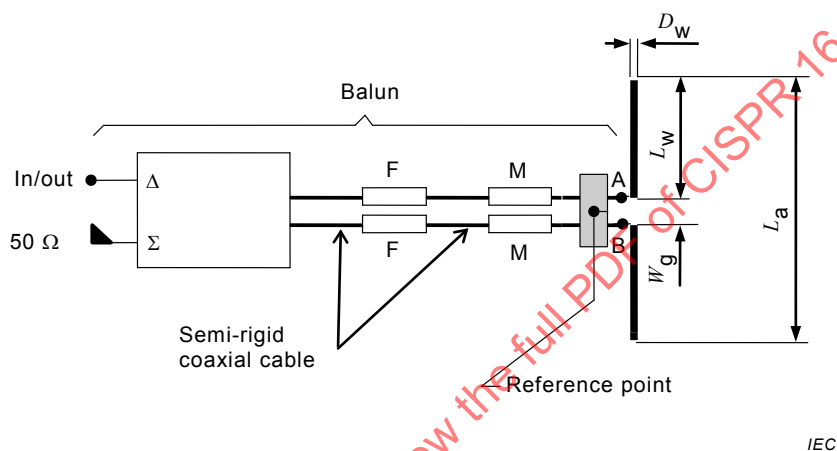
Mesurer sur une gamme de fréquences plusieurs dizaines de MHz d'un côté ou de l'autre de la résonance. Si une ondulation dans le tracé de fréquence montre la présence de réflexions de chambre, répéter la mesure avec une distance de séparation de $\lambda/10$. Déterminer le meilleur résultat parmi ceux obtenus aux deux séparations. La différence entre la mesure et la prévision s'applique également à une prévision des performances réelles dans le champ lointain. Si l'ondulation est uniforme sur plusieurs périodes, ce qui s'explique donc par les réflexions du mât ou de l'antenne plutôt que par les caractéristiques de l'antenne, un résultat plus précis peut être obtenu par lissage de l'ondulation.

- f) Après avoir validé une conception particulière d'antenne d'essai par une ou plusieurs de ces méthodes, la qualité de l'emplacement est consacrée à cette conception, ce type d'emplacement de qualité élevée ayant atteint son objectif. L'emplacement peut être utile pour de nouveau valider l'antenne d'essai à intervalles réguliers, comme l'exige un système qualité de laboratoire, l'utilisation subséquente d'un emplacement d'étalonnage plus petit pouvant toutefois s'avérer suffisant. Il convient que l'emplacement plus petit soit réputé donner les résultats présentant l'incertitude souhaitée, en le validant à l'aide d'antennes d'essai utilisées dans leur état de fonctionnement d'origine.

Il convient de noter que le symétriseur susmentionné n'est donné qu'à titre d'exemple. Un autre type de symétriseur peut être utilisé, pourvu que les exigences définies en 4.3.2 soient satisfaites. Dans certains cas, des ferrites (F à la Figure B.1) peuvent être exigées autour des

câbles semi-rigides afin de limiter l'induction de courants de mode commun sur le symétriseur et le câble relié à l'antenne.

Il convient que les éléments filaires aient une longueur telle que, après la connexion, l'antenne d'essai satisfasse aux exigences concernant $L_a(f)$ définies en 4.3.2 b) (voir C.1.1 pour le calcul de $L_a(f)$). Si les performances de l'antenne d'essai sont calculées à l'aide du NEC (voir C.2), la longueur de l'élément n'est pas essentielle. Entrer simplement ses dimensions physiques. Pour le Tableau C.1, il a été supposé que, si $f < 180$ MHz, le diamètre des éléments filaires est de 10 mm, ce qui procure aux longues antennes filaires une bonne résistance mécanique. Au Tableau C.1, il a également été supposé qu'aux fréquences $f < 180$ MHz, un diamètre de 3 mm est suffisant. Aux fréquences $f < 60$ MHz, l'élément peut être télescopique, ou une antenne doublet de longueur fixe [voir également NOTE 3 de 4.3.2 b)] peut être utilisée.



IEC

F = ferrite
M = dispositif d'adaptation

NOTE Le symétriseur utilise une jonction coaxiale hybride.

Légende

Anglais	Français
In/out	Entrée/Sortie
Balun	Symétriseur
Semi-rigid coaxial cable	Câble coaxial semi-rigide
Reference point	Point de référence

Figure B.1 – Exemple d'antenne d'essai

B.3 Détermination des propriétés du symétriseur

B.3.1 Symétriseur idéal sans perte

Le symétriseur idéal sans perte se caractérise par des signaux au niveau des accès A et B qui sont parfaitement égaux en amplitude et exactement déphasés de 180°, à condition que les trois accès (voir le cercle 1, le cercle 2 et le cercle 3 de la Figure B.2) soient terminés par leur impédance caractéristique. Dans les mêmes conditions, aucun des accès ne réfléchit un signal entrant, et un signal entrant au niveau de l'accès 2 n'est pas transféré vers l'accès 3 (et inversement).

Le montage de base pour mesurer les paramètres S est donné à la Figure B.2. L'accès d'entrée/de sortie asymétrique du symétriseur est numéroté "1", et les accès symétriques sont numérotés "2" et "3".