

# INTERNATIONAL STANDARD

# NORME INTERNATIONALE



**Medical electrical equipment –  
Part 1-3: General requirements for basic safety and essential performance –  
Collateral Standard: Radiation protection in diagnostic X-ray equipment**

**Appareils électromédicaux –  
Partie 1-3: Exigences générales pour la sécurité de base et les performances  
essentielles – Norme collatérale: Radioprotection dans les appareils  
à rayonnement X de diagnostic**





## THIS PUBLICATION IS COPYRIGHT PROTECTED

Copyright © 2021 IEC, Geneva, Switzerland

All rights reserved. Unless otherwise specified, no part of this publication may be reproduced or utilized in any form or by any means, electronic or mechanical, including photocopying and microfilm, without permission in writing from either IEC or IEC's member National Committee in the country of the requester. If you have any questions about IEC copyright or have an enquiry about obtaining additional rights to this publication, please contact the address below or your local IEC member National Committee for further information.

Droits de reproduction réservés. Sauf indication contraire, aucune partie de cette publication ne peut être reproduite ni utilisée sous quelque forme que ce soit et par aucun procédé, électronique ou mécanique, y compris la photocopie et les microfilms, sans l'accord écrit de l'IEC ou du Comité national de l'IEC du pays du demandeur. Si vous avez des questions sur le copyright de l'IEC ou si vous désirez obtenir des droits supplémentaires sur cette publication, utilisez les coordonnées ci-après ou contactez le Comité national de l'IEC de votre pays de résidence.

IEC Central Office  
3, rue de Varembe  
CH-1211 Geneva 20  
Switzerland

Tel.: +41 22 919 02 11  
[info@iec.ch](mailto:info@iec.ch)  
[www.iec.ch](http://www.iec.ch)

### About the IEC

The International Electrotechnical Commission (IEC) is the leading global organization that prepares and publishes International Standards for all electrical, electronic and related technologies.

### About IEC publications

The technical content of IEC publications is kept under constant review by the IEC. Please make sure that you have the latest edition, a corrigendum or an amendment might have been published.

#### IEC publications search - [webstore.iec.ch/advsearchform](http://webstore.iec.ch/advsearchform)

The advanced search enables to find IEC publications by a variety of criteria (reference number, text, technical committee, ...). It also gives information on projects, replaced and withdrawn publications.

#### IEC Just Published - [webstore.iec.ch/justpublished](http://webstore.iec.ch/justpublished)

Stay up to date on all new IEC publications. Just Published details all new publications released. Available online and once a month by email.

#### IEC Customer Service Centre - [webstore.iec.ch/csc](http://webstore.iec.ch/csc)

If you wish to give us your feedback on this publication or need further assistance, please contact the Customer Service Centre: [sales@iec.ch](mailto:sales@iec.ch).

#### IEC online collection - [oc.iec.ch](http://oc.iec.ch)

Discover our powerful search engine and read freely all the publications previews. With a subscription you will always have access to up to date content tailored to your needs.

#### Electropedia - [www.electropedia.org](http://www.electropedia.org)

The world's leading online dictionary on electrotechnology, containing more than 22 000 terminological entries in English and French, with equivalent terms in 18 additional languages. Also known as the International Electrotechnical Vocabulary (IEV) online.

### A propos de l'IEC

La Commission Electrotechnique Internationale (IEC) est la première organisation mondiale qui élabore et publie des Normes internationales pour tout ce qui a trait à l'électricité, à l'électronique et aux technologies apparentées.

### A propos des publications IEC

Le contenu technique des publications IEC est constamment revu. Veuillez vous assurer que vous possédez l'édition la plus récente, un corrigendum ou amendement peut avoir été publié.

#### Recherche de publications IEC -

[webstore.iec.ch/advsearchform](http://webstore.iec.ch/advsearchform)

La recherche avancée permet de trouver des publications IEC en utilisant différents critères (numéro de référence, texte, comité d'études, ...). Elle donne aussi des informations sur les projets et les publications remplacées ou retirées.

#### IEC Just Published - [webstore.iec.ch/justpublished](http://webstore.iec.ch/justpublished)

Restez informé sur les nouvelles publications IEC. Just Published détaille les nouvelles publications parues. Disponible en ligne et une fois par mois par email.

#### Service Clients - [webstore.iec.ch/csc](http://webstore.iec.ch/csc)

Si vous désirez nous donner des commentaires sur cette publication ou si vous avez des questions contactez-nous: [sales@iec.ch](mailto:sales@iec.ch).

#### IEC online collection - [oc.iec.ch](http://oc.iec.ch)

Découvrez notre puissant moteur de recherche et consultez gratuitement tous les aperçus des publications. Avec un abonnement, vous aurez toujours accès à un contenu à jour adapté à vos besoins.

#### Electropedia - [www.electropedia.org](http://www.electropedia.org)

Le premier dictionnaire d'électrotechnologie en ligne au monde, avec plus de 22 000 articles terminologiques en anglais et en français, ainsi que les termes équivalents dans 16 langues additionnelles. Egalement appelé Vocabulaire Electrotechnique International (IEV) en ligne.



IEC 60601-1-3

Edition 2.2 2021-01  
CONSOLIDATED VERSION

# INTERNATIONAL STANDARD

# NORME INTERNATIONALE



**Medical electrical equipment –  
Part 1-3: General requirements for basic safety and essential performance –  
Collateral Standard: Radiation protection in diagnostic X-ray equipment**

**Appareils électromédicaux –  
Partie 1-3: Exigences générales pour la sécurité de base et les performances  
essentielles – Norme collatérale: Radioprotection dans les appareils  
à rayonnement X de diagnostic**

INTERNATIONAL  
ELECTROTECHNICAL  
COMMISSION

COMMISSION  
ELECTROTECHNIQUE  
INTERNATIONALE

ICS 11.040.50; 13.280

ISBN 978-2-8322-9347-8

**Warning! Make sure that you obtained this publication from an authorized distributor.  
Attention! Veuillez vous assurer que vous avez obtenu cette publication via un distributeur agréé.**

IECNORM.COM : Click to view the full PDF of IEC 60601-1-3:2008+AMD1:2013+AMD2:2021 CSV

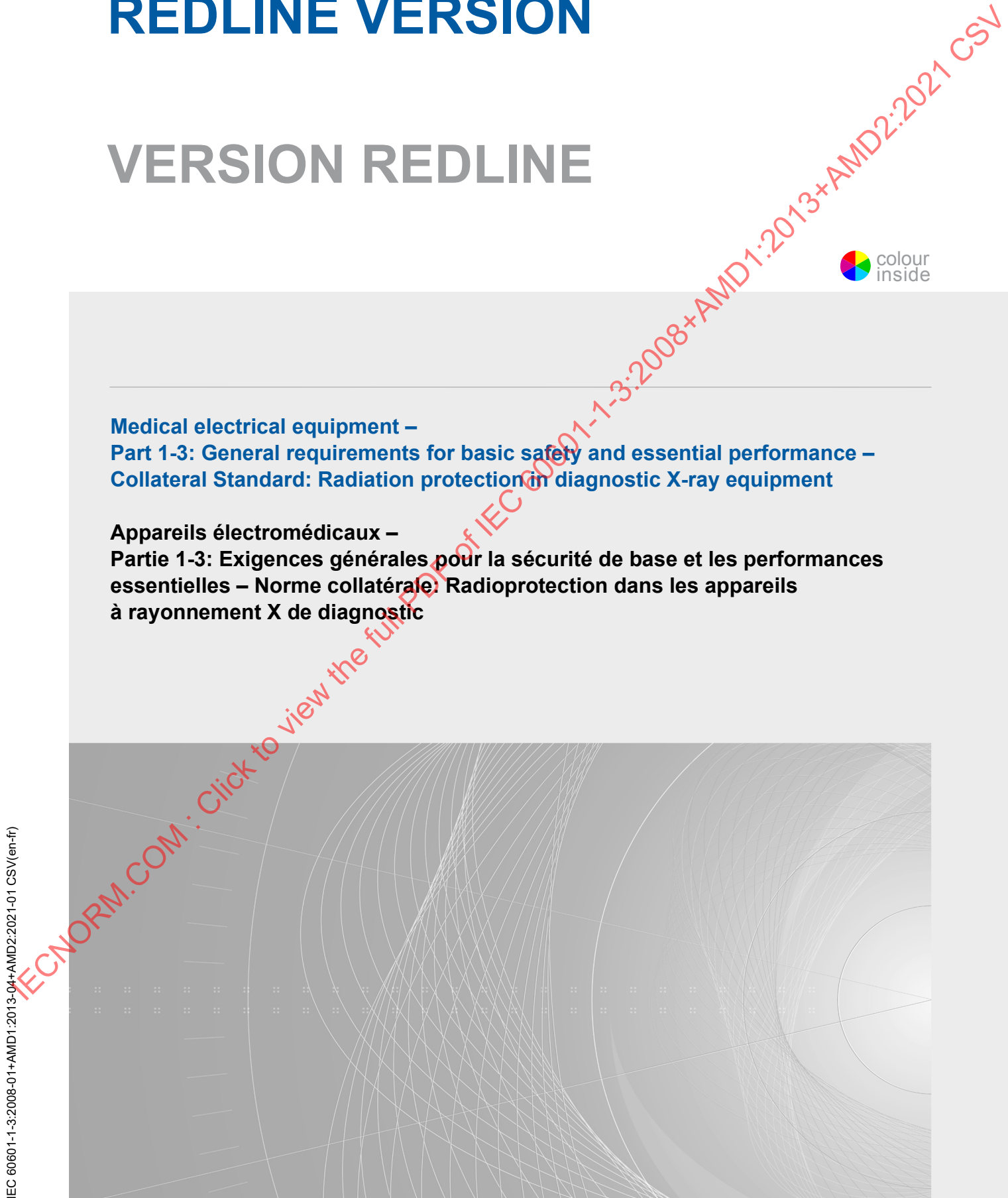
## REDLINE VERSION

## VERSION REDLINE



**Medical electrical equipment –  
Part 1-3: General requirements for basic safety and essential performance –  
Collateral Standard: Radiation protection in diagnostic X-ray equipment**

**Appareils électromédicaux –  
Partie 1-3: Exigences générales pour la sécurité de base et les performances  
essentielle – Norme collatérale: Radioprotection dans les appareils  
à rayonnement X de diagnostic**



## CONTENTS

FOREWORD.....	5
INTRODUCTION.....	8
INTRODUCTION to Amendment 1 .....	9
INTRODUCTION to Amendment 2 .....	9
1 Scope, object and related standards.....	10
1.1 Scope.....	10
1.2 Object .....	10
1.3 Related standards .....	10
1.3.1 IEC 60601-1 .....	10
1.3.2 Particular standards .....	10
2 Normative references .....	11
3 Terms and definitions .....	11
4 General requirements .....	21
4.1 Statement of compliance .....	21
4.2 Composition of reference materials .....	21
5 ME EQUIPMENT identification, marking and documents .....	21
5.1 Marking on the outside of ME EQUIPMENT or ME EQUIPMENT parts .....	21
5.1.1 General .....	21
5.1.2 Marking requirements in subclauses .....	21
5.2 ACCOMPANYING DOCUMENTS .....	21
5.2.1 References in subclauses .....	22
5.2.2 Dosimetric calibration .....	22
5.2.3 General requirements for the reference of subassemblies and ACCESSORIES.....	22
5.2.4 Instructions for use .....	23
6 RADIATION management.....	24
6.1 General .....	24
6.2 Initiation and termination of the IRRADIATION .....	25
6.2.1 Normal initiation and termination of the IRRADIATION.....	25
6.2.2 Safety measures against failure of normal termination of the IRRADIATION.....	25
6.3 RADIATION dose and RADIATION QUALITY.....	25
6.3.1 Adjustment of RADIATION dose and RADIATION QUALITY .....	25
6.3.2 Reproducibility of the RADIATION output .....	25
6.4 Indication of operational states .....	26
6.4.1 Indication of the X-RAY SOURCE ASSEMBLY selected .....	26
6.4.2 Indication of LOADING STATE .....	26
6.4.3 Indication of LOADING FACTORS and MODES OF OPERATION.....	26
6.4.4 Indication of automatic modes .....	26
6.4.5 Dosimetric indications.....	27
6.5 AUTOMATIC CONTROL SYSTEM .....	27
6.6 SCATTERED RADIATION reduction .....	27
6.7 Imaging performance.....	27
6.7.1 General .....	27
6.7.2 System performance.....	27
6.7.3 Nominal focal spot value.....	28

IECNORM.COM - Click to view the full PDF of IEC 60601-1-3:2008+AMD1:2013+AMD2:2021 CSV

6.7.4	RADIATION DETECTOR or X-RAY IMAGE RECEPTOR .....	28
7	RADIATION QUALITY .....	28
7.1	HALF-VALUE LAYERS and TOTAL FILTRATION in X-RAY EQUIPMENT .....	28
7.2	Waveform of the X-RAY TUBE VOLTAGE .....	29
7.3	Indication of FILTER properties .....	29
7.4	Test for FILTRATION by irremovable materials .....	30
7.5	Test for ADDED FILTERS and materials.....	30
7.6	Test for HALF-VALUE LAYER .....	30
8	Limitation of the extent of the X-RAY BEAM and relationship between X-RAY FIELD and IMAGE RECEPTION AREA .....	30
8.1	General .....	30
8.2	Enclosure of X-RAY TUBES .....	30
8.3	Limiting DIAPHRAGM in X-RAY TUBE ASSEMBLIES .....	31
8.4	Confinement of EXTRA-FOCAL RADIATION .....	31
8.5	Relationship between X-RAY FIELD and IMAGE RECEPTION AREA .....	31
8.5.1	General .....	31
8.5.2	* FOCAL SPOT TO IMAGE RECEPTOR DISTANCE .....	31
8.5.3	Correspondence between X-RAY FIELD and EFFECTIVE IMAGE RECEPTION AREA .....	31
8.5.4	Positioning of the PATIENT and restriction of the irradiated area.....	32
9	FOCAL SPOT TO SKIN DISTANCE.....	32
9.1	General .....	32
9.2	Information in the ACCOMPANYING DOCUMENTS .....	32
10	ATTENUATION of the X-RAY BEAM between the PATIENT and the X-RAY IMAGE RECEPTOR .....	32
10.1	General .....	32
10.2	Information in the ACCOMPANYING DOCUMENTS .....	32
11	Protection against RESIDUAL RADIATION.....	33
12	* Protection against LEAKAGE RADIATION .....	33
12.1	General .....	33
12.2	Mounting of X-RAY SOURCE ASSEMBLIES and X-RAY IMAGING ARRANGEMENTS .....	33
12.3	Statement of reference LOADING conditions.....	34
12.4	LEAKAGE RADIATION in the LOADING STATE .....	34
12.5	LEAKAGE RADIATION when not in the LOADING STATE .....	35
13	Protection against STRAY RADIATION .....	35
13.1	General .....	35
13.2	Control of X-RAY EQUIPMENT from a PROTECTED AREA.....	35
13.3	Protection by distance .....	36
13.4	* Designated SIGNIFICANT ZONES OF OCCUPANCY .....	36
13.5	Handgrips and control devices .....	37
13.6	* Test for STRAY RADIATION .....	37
	Annex A (informative) General guidance and rationale.....	39
	Annex B (normative) Values of the series R'10 and R'20, ISO 497 .....	41
	Annex C (informative) Mapping between this Edition 2 of IEC 60601-1-3 and Edition 1 .....	42
	Bibliography.....	44
	Index of defined terms used in this collateral standard .....	46
	Figure 1 – Example of presentation of data on STRAY RADIATION .....	38

IECNORM.COM - Click to view the full PDF of IEC 60601-1-3:2008+AMD1:2013+AMD2:2021 CSV

Table 1 – Subclauses containing requirements for marking .....	21
Table 2 – Subclauses requiring statements in ACCOMPANYING DOCUMENTS .....	22
Table 3 – HALF-VALUE LAYERS in X-RAY EQUIPMENT .....	29
Table B.1 – Values of the series R'10 and R'20, ISO 497 .....	41

IECNORM.COM : Click to view the full PDF of IEC 60601-1-3:2008+AMD1:2013+AMD2:2021 CSV



INTERNATIONAL ELECTROTECHNICAL COMMISSION

---

**MEDICAL ELECTRICAL EQUIPMENT –**

**Part 1-3: General requirements for basic safety  
and essential performance –**

**Collateral Standard:  
Radiation protection in diagnostic X-ray equipment**

**FOREWORD**

- 1) The International Electrotechnical Commission (IEC) is a worldwide organization for standardization comprising all national electrotechnical committees (IEC National Committees). The object of IEC is to promote international co-operation on all questions concerning standardization in the electrical and electronic fields. To this end and in addition to other activities, IEC publishes International Standards, Technical Specifications, Technical Reports, Publicly Available Specifications (PAS) and Guides (hereafter referred to as "IEC Publication(s)"). Their preparation is entrusted to technical committees; any IEC National Committee interested in the subject dealt with may participate in this preparatory work. International, governmental and non-governmental organizations liaising with the IEC also participate in this preparation. IEC collaborates closely with the International Organization for Standardization (ISO) in accordance with conditions determined by agreement between the two organizations.
- 2) The formal decisions or agreements of IEC on technical matters express, as nearly as possible, an international consensus of opinion on the relevant subjects since each technical committee has representation from all interested IEC National Committees.
- 3) IEC Publications have the form of recommendations for international use and are accepted by IEC National Committees in that sense. While all reasonable efforts are made to ensure that the technical content of IEC Publications is accurate, IEC cannot be held responsible for the way in which they are used or for any misinterpretation by any end user.
- 4) In order to promote international uniformity, IEC National Committees undertake to apply IEC Publications transparently to the maximum extent possible in their national and regional publications. Any divergence between any IEC Publication and the corresponding national or regional publication shall be clearly indicated in the latter.
- 5) IEC provides no marking procedure to indicate its approval and cannot be rendered responsible for any equipment declared to be in conformity with an IEC Publication.
- 6) All users should ensure that they have the latest edition of this publication.
- 7) No liability shall attach to IEC or its directors, employees, servants or agents including individual experts and members of its technical committees and IEC National Committees for any personal injury, property damage or other damage of any nature whatsoever, whether direct or indirect, or for costs (including legal fees) and expenses arising out of the publication, use of, or reliance upon, this IEC Publication or any other IEC Publications.
- 8) Attention is drawn to the Normative references cited in this publication. Use of the referenced publications is indispensable for the correct application of this publication.
- 9) Attention is drawn to the possibility that some of the elements of this IEC Publication may be the subject of patent rights. IEC shall not be held responsible for identifying any or all such patent rights.

**This consolidated version of the official IEC Standard and its amendments has been prepared for user convenience.**

**IEC 60601-1-3 edition 2.2 contains the second edition (2008) [documents 62B/673/FDIS and 62B/683/RVD], its amendment 1 (2013) [documents 62B/895/CDV and 62B/907/RVC] and its amendment 2 (2021) [documents 62B/1176/CDV and 62B/1227/RVC].**

**In this Redline version, a vertical line in the margin shows where the technical content is modified by amendments 1 and 2. Additions are in green text, deletions are in strikethrough red text. A separate Final version with all changes accepted is available in this publication.**

International standard IEC 60601-1-3 has been prepared by IEC subcommittee 62B: Diagnostic imaging equipment, of IEC technical committee 62: Electrical equipment in medical practice.

This edition constitutes a collateral standard to IEC 60601-1: *Medical electrical equipment – Part 1: General requirements for basic safety and essential performance* hereafter referred to as the general standard.

This edition has been restructured and aligned to IEC 60601-1(2005) and focussed on general requirements for RADIATION PROTECTION that apply to all diagnostic X-RAY EQUIPMENT. Requirements particular to specific equipment have been removed and will be covered in particular standards. For a description of the changes, see the mapping in Annex C.

This publication has been drafted in accordance with the ISO/IEC Directives, Part 2.

In the 60601 series of publications, collateral standards specify general requirements for safety applicable to:

- a subgroup of MEDICAL ELECTRICAL EQUIPMENT (e.g. RADIOLOGICAL equipment); or
- a specific characteristic of all MEDICAL ELECTRICAL EQUIPMENT, not fully addressed in the general standard (e.g. alarm systems).

In this collateral standard, the following print types are used:

- requirements and definitions: roman type.
- *test specifications: italic type.*
- informative material appearing outside of tables, such as notes, examples and references: in smaller type. Normative text of tables is also in a smaller type.
- TERMS DEFINED IN CLAUSE 3 OF THE GENERAL STANDARD, IN THIS COLLATERAL STANDARD OR AS NOTED: SMALL CAPITALS.

In referring to the structure of this standard, the term

- “clause” means one of the thirteen numbered divisions within the table of contents, inclusive of all subdivisions (e.g. Clause 7 includes subclauses 7.1, 7.2, etc.);
- “subclause” means a numbered subdivision of a clause (e.g. 7.1, 7.2 and 7.2.1 are all subclauses of Clause 7).

References to clauses within this standard are preceded by the term “Clause” followed by the clause number. References to subclauses within this collateral standard are by number only.

In this standard, the conjunctive “or” is used as an “inclusive or” so a statement is true if any combination of the conditions is true.

The verbal forms used in this standard conform to usage described in Annex H of the ISO/IEC Directives, Part 2. For the purposes of this standard, the auxiliary verb:

- “shall” means that compliance with a requirement or a test is mandatory for compliance with this standard;
- “should” means that compliance with a requirement or a test is recommended but is not mandatory for compliance with this standard;
- “may” is used to describe a permissible way to achieve compliance with a requirement or test.

Clauses, subclauses and definitions for which a rationale is provided in informative Annex A are marked with an asterisk (\*).

A list of all parts of the IEC 60601 series, published under the general title *Medical electrical equipment*, can be found on the IEC website.

The committee has decided that the contents of the base publication and its amendments will remain unchanged until the maintenance result date indicated on the IEC website under "http://webstore.iec.ch" in the data related to the specific publication. At this date, the publication will be

- reconfirmed;
- withdrawn;
- replaced by a revised edition, or
- amended

**IMPORTANT – The “colour inside” logo on the cover page of this publication indicates that it contains colours which are considered to be useful for the correct understanding of its contents. Users should therefore print this publication using a colour printer.**

## INTRODUCTION

The requirements in this collateral Standard concern protective measures to be taken by the MANUFACTURER in the design and construction of medical diagnostic X-RAY EQUIPMENT and its subassemblies. They relate to the application of the X-RADIATION generated, both deliberately and incidentally, in fulfilling the medical purpose of the EQUIPMENT. Additional measures are necessary to regulate the generation processes themselves. These are described in the general requirements for safety, IEC 60601-1, and, where appropriate, in particular requirements for the EQUIPMENT concerned. The second edition of this collateral standard is focused on general requirements for RADIATION PROTECTION. The aim of the revision was to restrict to those requirements that apply to all diagnostic X-RAY EQUIPMENT. In consequence, most of the clauses have been reduced compared with the first edition of this standard, owing to the exclusion of content specific to projection RADIOGRAPHY and RADIOSCOPY. Implementation shall be considered in the RISK MANAGEMENT process or by using particular standards.

The recommended principles governing the use of RADIATION for medical purposes, as stated in Publication 60 of the International Commission on Radiological Protection (ICRP)[17]<sup>1)</sup>, Chapter 4, have been taken into account. The implementation of these principles is essentially determined in the prevailing circumstances at the point of use. It requires judgements to be made by the user and the establishment of measures and working practices part of which are connected with the construction of EQUIPMENT. The requirements in this collateral Standard are intended to be consistent with generally accepted good practice in the administration of X-RADIATION in medicine.

In some cases, the formulation of the requirements is deliberately designed to provide scope for accommodating local laws and regulations at the time of installation and commissioning. Several of the requirements include provisions for relevant technical information to be included in ACCOMPANYING DOCUMENTS.

RESPONSIBLE ORGANIZATIONS for medical diagnostic X-RAY EQUIPMENT should be aware that effective protection against IONIZING RADIATION requires the consideration of many aspects additional to the construction of the EQUIPMENT. Among these are the following:

- compatibility of components and correct installation of EQUIPMENT;
- the protective properties of rooms where X-RAY EQUIPMENT is installed;
- measures for monitoring and maintaining the safety and effectiveness of EQUIPMENT throughout its life, with particular attention to components that can deteriorate progressively with time and use;
- the need in appropriate circumstances for PROTECTIVE CLOTHING to be worn by staff and for suitable devices to be used to protect PATIENTS;
- the keeping of appropriate records concerning the usage of the EQUIPMENT and the results of tests, with systematic review and the application of corrective action when necessary;
- the training of staff in the principles of RADIATION PROTECTION and in the correct use of EQUIPMENT, including any PROTECTIVE DEVICES provided.

Further advice on these aspects can be found in ICRP Publications 33[15], 34[16], 60[17], 73[18], 85[21], 87[22] and 93[23].

Readers of this collateral standard are reminded that, in accordance with IEC 60601-1, Clause 5, all the test procedures described are TYPE TESTS, intended to be carried out in a dedicated testing environment in order to determine compliance. Tests to be carried out by MANUFACTURERS to ensure compliance during production or installation and tests for detecting non-compliance subsequently to delivery, are not included.

---

1) Figures in square brackets refer to the Bibliography.

## INTRODUCTION to Amendment 1

The purpose of the first amendment to IEC 60601-1-3:2008 is to introduce changes to reference the first amendment (2012) to IEC 60601-1:2005.

## INTRODUCTION to Amendment 2

The purpose of this second amendment to IEC 60601-1-3:2008 is to introduce changes to reference the second amendment (2020) to IEC 60601-1:2005.

IECNORM.COM : Click to view the full PDF of IEC 60601-1-3:2008+AMD1:2013+AMD2:2021 CSV

## MEDICAL ELECTRICAL EQUIPMENT –

### Part 1-3: General requirements for basic safety and essential performance – Collateral Standard: Radiation protection in diagnostic X-ray equipment

## 1 Scope, object and related standards

### 1.1 Scope

This International Standard applies to the BASIC SAFETY and ESSENTIAL PERFORMANCE of MEDICAL ELECTRICAL EQUIPMENT and MEDICAL ELECTRICAL SYSTEMS, hereafter referred to as ME EQUIPMENT and ME SYSTEMS.

This collateral standard applies to X-RAY EQUIPMENT and to subassemblies of such equipment, where RADIOLOGICAL IMAGES of a human PATIENT are used for diagnosis, planning or guidance of medical procedures.

### 1.2 Object

The object of this collateral standard is to specify general requirements that are in addition to those of the general standard and to serve as the basis for particular standards.

The object of this collateral standard is to establish general requirements for protection against X-RADIATION in X-RAY EQUIPMENT, in order that the IRRADIATION of the human PATIENT, the OPERATOR, staff and members of the public can be kept as low as reasonably achievable, without jeopardizing the benefit of the RADIOLOGICAL procedure. Particular standards may specify their appropriate values and/or measures for general requirements specified in this collateral standard. The implementation of the general requirements or the reference to the particular standard instead, shall be justified in the RISK MANAGEMENT process.

This collateral standard considers RADIATION PROTECTION aspects related to X-RADIATION only.

Requirements for the control of the electrical energy used to generate X-RADIATION, which is also an important aspect of RADIATION PROTECTION, are included in IEC 60601-1 and in particular standards for the safety and ESSENTIAL PERFORMANCE of the EQUIPMENT concerned.

### 1.3 Related standards

#### 1.3.1 IEC 60601-1

For ME EQUIPMENT and ME SYSTEMS, this collateral standard complements IEC 60601-1.

When referring to IEC 60601-1 or to this collateral standard, either individually or in combination, the following conventions are used:

- "the general standard" designates IEC 60601-1:2005+A1:2012+A2:2020 ~~alone~~;
- "this collateral standard" designates IEC 60601-1-3:2008+A1:2013+A2:2021 ~~alone~~;
- "this standard" designates the combination of the general standard and this collateral standard.

#### 1.3.2 Particular standards

A requirement in a particular standard takes priority over the corresponding requirement in this collateral standard.

## 2 Normative references

The following ~~referenced~~ documents, in whole or in part, are normatively referenced in this document and are indispensable for its application. For dated references, only the edition cited applies. For undated references, the latest edition of the referenced document (including any amendments) applies.

IEC 60336, *Medical electrical equipment – X-ray tube assemblies for medical diagnosis- Characteristics of focal spots*

IEC 60522:1999, *Determination of the permanent filtration of X-ray tube assemblies*

IEC 60601-1:2005, *Medical electrical equipment – Part 1: General requirements for basic safety and essential performance*  
Amendment 1:2012  
Amendment 2:2020

IEC 60788:2004, *Medical electrical equipment – Glossary of defined terms*

ISO 497, *Guide to the choice of series of preferred numbers and of series containing more rounded values of preferred numbers*

## 3 Terms and definitions

For the purposes of this document, the terms and definitions given in IEC 60601-1:2005+A1:2012+A2:2020, IEC 60788:2004 and the following apply.

NOTE An index of defined terms is found beginning on page 46.

### 3.1

#### ACCESSIBLE SURFACE

surface of EQUIPMENT or of an EQUIPMENT part that can be easily or accidentally touched by persons without the use of a TOOL

### 3.2

#### ADDED FILTER

removable or irremovable FILTER positioned in the RADIATION BEAM to provide part or all of the ADDITIONAL FILTRATION

### 3.3

#### ADDITIONAL FILTRATION

QUALITY EQUIVALENT FILTRATION due to ADDED FILTERS and other removable materials in the RADIATION BEAM which are between the RADIATION SOURCE and the PATIENT or a specified plane

### 3.4

#### AIR KERMA

#### $K$

quotient of  $dE_{tr}$  by  $dm$ , where  $dE_{tr}$  is the sum of the initial kinetic energies of all the charged particles liberated by uncharged particles in a mass  $dm$  of air, thus

$$K = \frac{dE_{tr}}{dm}$$

Unit: J kg<sup>-1</sup>

The special name for the unit of AIR KERMA is gray (Gy) (ICRU 60) [20]

[IEC 60580:2000, definition 3.2, modified] [8]

**3.5****AIR KERMA RATE** $\dot{K}$ 

quotient of  $dK$  by  $dt$ , where  $dK$  is the increment of AIR KERMA in the time interval  $dt$ , thus

$$\dot{K} = \frac{dK}{dt}$$

Unit:  $\text{J kg}^{-1} \text{s}^{-1}$

If the special name gray is used, the unit of AIR KERMA RATE is gray per second ( $\text{Gy s}^{-1}$ ) (ICRU 60) [20]

[IEC 60580:2000, definition 3.3] [8]

**3.6****AMBIENT DOSE EQUIVALENT** $H^*(d)$ 

at a point in a RADIATION FIELD, the DOSE EQUIVALENT that would be produced by corresponding expanded and aligned field, in the ICRU sphere at a depth,  $d$ , on the radius opposing the direction of the aligned field

Unit:  $\text{J kg}^{-1}$

The special name for the unit of AMBIENT DOSE EQUIVALENT is sievert (Sv) (ICRU 51)[19]

**3.7****ATTENUATION**

reduction of a RADIATION QUANTITY upon passage of the RADIATION through matter resulting from all types of interaction with this matter

NOTE The RADIATION QUANTITY may be, for example, the particle flux density or the energy density. ATTENUATION does not include the geometric reduction of the RADIATION QUANTITY with distance from the RADIATION SOURCE.

**3.8****ATTENUATION EQUIVALENT** $\delta$ 

thickness of a layer of reference material which, if substituted for the material under consideration in a beam of specified RADIATION QUALITY and under specified geometrical conditions, gives the same degree of ATTENUATION. ATTENUATION EQUIVALENT is expressed in suitable submultiples of the metre together with the reference

**3.9****AUTOMATIC CONTROL SYSTEM**

in an X-RAY EQUIPMENT, system in which the control or limitation of the electric energy delivered to an X-RAY TUBE ASSEMBLY depends upon the measurement of one or more RADIATION QUANTITIES or corresponding physical quantities

**3.10****AUTOMATIC EXPOSURE CONTROL**

in an X-RAY EQUIPMENT, MODE OF OPERATION in which one or more LOADING FACTORS are controlled automatically in order to obtain at a pre-selected location a desired quantity of RADIATION

**3.11****BEAM LIMITING DEVICE**

device to limit the RADIATION FIELD



### 3.12

#### BEAM LIMITING SYSTEM

entirety of parts and their geometrical configuration contributing to the limitation of the RADIATION BEAM

### 3.13

#### CONTINUOUS ANODE INPUT POWER

specified highest ANODE INPUT POWER which can be applied to the ANODE continuously

Unit: W

### 3.14

#### CONTROL PANEL

part of EQUIPMENT for the purpose of controlling all, or some, of the functions of the EQUIPMENT. The CONTROL PANEL may contain devices for indicating and displaying operating factors

### 3.15

#### CONTROLLED AREA

defined area which is part of an area under surveillance and for which access, occupancy and working conditions are regulated and controlled in order to protect persons against IONIZING RADIATION

### 3.16

#### CURRENT TIME PRODUCT

in MEDICAL RADIOLOGY, quantity of electricity resulting from the LOADING of an X-RAY TUBE, expressed in milliamperere seconds, as the product of the mean X-RAY TUBE CURRENT in milliamperes and the duration of the LOADING in seconds

### 3.17

#### DIAPHRAGM

BEAM LIMITING DEVICE with either a fixed or an adjustable aperture in one plane

### 3.18

#### DOSE EQUIVALENT

*H*

is the product of *Q* and *D*, at a point in tissue, where *D* is the ABSORBED DOSE and *Q* is the quality factor at that point, thus

$$H = Q D.$$

Unit: J kg<sup>-1</sup>

The special name for the unit of DOSE EQUIVALENT is sievert (Sv) (ICRU 51)[19]

### 3.19

#### EDGE FILTER

FILTER whose ABSORPTION characteristic as a function of RADIATION ENERGY shows a discontinuity in the useful photon energy range

### 3.20

#### EFFECTIVE IMAGE RECEPTION AREA

part of the IMAGE RECEPTION AREA that is configured to receive an X-RAY PATTERN that can be processed for display or storage

NOTE 1 In accordance with this convention, the IMAGE RECEPTION AREA of a multi-field X-ray image intensifier tube is considered to be restricted by the selection of magnification modes, to exclude any portion of the input screen from which the X-RAY PATTERN is not electronically processed.

NOTE 2 For X-RAY EQUIPMENT based on scanning that varies the position for receiving an X-RAY PATTERN during the exposure, the EFFECTIVE IMAGE RECEPTION AREA at a certain time during the scan is the area of the image receptor that is receiving and processing an X-RAY PATTERN at that very moment.

### 3.21

#### ENTRANCE SURFACE

in RADIOLOGY, plane or curved surface through which the RADIATION enters an irradiated object

### 3.22

#### EXTRA-FOCAL RADIATION

in an X-RAY SOURCE ASSEMBLY, X-RADIATION emitted from the RADIATION SOURCE other than that emitted from the ACTUAL FOCAL SPOT

### 3.23

#### FILTER

in RADIOLOGICAL EQUIPMENT, material or device provided to effect FILTRATION of the RADIATION BEAM

### 3.24

#### FILTRATION

modification of characteristics of IONIZING RADIATION on passing through matter

NOTE FILTRATION may be:

- preferential ABSORPTION of certain components of polyenergetic X-RADIATION accompanying its ATTENUATION;
- a modification of the distribution of RADIATION intensity over the cross-section of a RADIATION BEAM

### 3.25

#### FOCAL SPOT TO IMAGE RECEPTOR DISTANCE

distance from the REFERENCE PLANE of an EFFECTIVE FOCAL SPOT to the point at which the REFERENCE AXIS intersects with the image receptor plane

### 3.26

#### FOCAL SPOT TO SKIN DISTANCE

in MEDICAL DIAGNOSTIC RADIOLOGY, distance from the REFERENCE PLANE of an EFFECTIVE FOCAL SPOT to a plane normal to the REFERENCE DIRECTION and containing the point on the PATIENT surface nearest to the RADIATION SOURCE

### 3.27

#### HALF-VALUE LAYER

thickness of a specified material, which attenuates under NARROW BEAM CONDITIONS X-RADIATION with a particular spectrum to an extent such that the AIR KERMA RATE, EXPOSURE RATE or ABSORBED DOSE rate is reduced to one half of the value that is measured without the material. The HALF-VALUE LAYER (HVL) is expressed in suitable submultiples of the metre together with the material.

### 3.28

#### IMAGE RECEPTION AREA

in RADIOLOGY, surface on which an X-RAY PATTERN is received

### 3.29

#### IONIZING RADIATION

RADIATION consisting of directly or indirectly ionizing particles or a mixture of both. By convention, ultraviolet radiation is excluded

### 3.30

#### IRRADIATION

exposing of a living being or matter to RADIATION. In RADIOLOGY, exposing of a living being or matter to IONIZING RADIATION

Thus: X-IRRADIATION

### 3.31

#### **IRRADIATION SWITCH**

in RADIOLOGICAL EQUIPMENT, control device provided to initiate and/or stop IRRADIATION

### 3.32

#### **IRRADIATION TIME**

duration of an IRRADIATION determined according to specific methods, usually the time a rate of a RADIATION QUANTITY exceeds a specified level

### 3.33

#### **LEAKAGE RADIATION**

IONIZING RADIATION which has passed through the PROTECTIVE SHIELDING of a RADIATION SOURCE as well as that which, for some types of X-RAY GENERATORS, has passed through the RADIATION APERTURE before and after LOADING (for example one containing a grid controlled X-RAY TUBE)

### 3.34

#### **LOADING**

in an X-RAY GENERATOR, act of supplying electrical energy to the ANODE of an X-RAY TUBE

### 3.35

#### **LOADING FACTOR**

factor influencing by its value the X-RAY TUBE LOAD, for example X-RAY TUBE CURRENT, LOADING TIME, CONTINUOUS ANODE INPUT POWER, X-RAY TUBE VOLTAGE and PERCENTAGE RIPPLE

### 3.36

#### **LOADING STATE**

for an X-RAY GENERATOR, state from the end of the READY STATE, when the intended function of the generator is initiated, until the end of the LOADING of the X-RAY TUBE

### 3.37

#### **LOADING TIME**

time determined according to a specific method, during which the ANODE INPUT POWER is applied to the X-RAY TUBE

### 3.38

#### **MEASURED VALUE**

estimate of the TRUE VALUE of a quantity, derived from the INDICATED VALUE of a meter after applying all relevant CORRECTION FACTORS

### 3.39

#### **MEDICAL RADIOLOGY**

branch of RADIOLOGY applied to human and veterinary medicine as well as to dentistry and chiropractic

### 3.40

#### **MODE OF OPERATION**

for X-RAY EQUIPMENT the technical state defined by a configuration of several predetermined LOADING FACTORS and other settings for RADIOLOGY or RADIOGRAPHY, selectable simultaneously by the operation of a single control

NOTE 1 Selection of a particular mode does not necessarily define the values of all the parameters affecting its use.

NOTE 2 Values defined by selection of a particular mode are not necessarily invariable during its use.

### 3.41

#### **NARROW BEAM CONDITION**

arrangement for the measurement of a RADIATION QUANTITY in a NARROW BEAM of IONIZING RADIATION

**3.42**

**NOMINAL X-RAY TUBE VOLTAGE**

highest permitted X-RAY TUBE VOLTAGE for specific operating conditions

**3.43**

**PATIENT ENTRANCE REFERENCE POINT**

point intended to represent the intersection of the X-RAY BEAM AXIS with the ENTRANCE SURFACE of the PATIENT

NOTE The geometries to be used for various X-RAY EQUIPMENT are given in the particular standards.

**3.44**

**PERCENTAGE RIPPLE**

for a HIGH-VOLTAGE GENERATOR, ratio of the difference between the highest and the lowest values of a rectified voltage waveform during a cycle of the supply to the highest value, expressed as a percentage

**3.45**

**PERMANENT FILTRATION**

the QUALITY EQUIVALENT FILTRATION effected in an X-RAY TUBE ASSEMBLY by permanently fixed materials intercepting the X-RAY BEAM, that are not intended to be removed for any application and are not provided with means for removal in NORMAL USE

**3.46**

**PHANTOM**

device intended to simulate parts of the PATIENT for test purposes

**3.47**

**PRIMARY PROTECTIVE SHIELDING**

PROTECTIVE SHIELDING for attenuating RESIDUAL RADIATION

**3.48**

**PROTECTED AREA**

defined area within an area under surveillance or within a CONTROLLED AREA which is protected by STRUCTURAL SHIELDING or by distance so that the resulting level of RADIATION is lower than the ambient level in the overall area of which it is a part

**3.49**

**PROTECTIVE BARRIER**

PROTECTIVE SHIELDING in the form of attenuating material provided for RADIOLOGICAL protection

**3.50**

**PROTECTIVE DEVICE**

in RADIOLOGY, device for the purpose of RADIOLOGICAL protection

Thus:

- PROTECTIVE CLOTHING:
- PROTECTIVE APRON;
  - PROTECTIVE SKIRT;
  - PROTECTIVE GLOVE;
  - PROTECTIVE GLASSES;
  - mobile PROTECTIVE BARRIER

### 3.51

#### PROTECTIVE SHIELDING

in RADIOLOGY, material that limits the extent of the RADIATION BEAM or attenuates STRAY RADIATION

NOTE PROTECTIVE SHIELDING may include materials provided for RADIOLOGICAL protection, or devices or materials provided for other purposes, which attenuate IONIZING RADIATION.

### 3.52

#### QUALITY EQUIVALENT FILTRATION

quantitative indication of the FILTRATION effected by one or several layer(s) of reference material(s) which, if substituted in a beam of specified RADIATION QUALITY under NARROW BEAM CONDITION for the material under consideration, give(s) the same RADIATION QUALITY as for the material under consideration. The QUALITY EQUIVALENT FILTRATION is expressed in suitable submultiples of the metre together with the reference material(s)

### 3.53

#### RADIATION

propagation of emitted energy through space or through a material medium in the form of waves or in the form of kinetic energy of particles

NOTE When unqualified, the term RADIATION usually refers to

- electromagnetic radiations according to frequency or origin such as: radiofrequency radiation, infra-red radiation, visible radiation (light), ultraviolet radiation, X-RADIATION, gamma radiation;
- corpuscular radiations according to particles or origin such as: alpha radiation, beta radiation, electron radiation, neutron radiation.

### 3.54

#### RADIATION APERTURE

aperture in the PROTECTIVE SHIELDING of a RADIATION SOURCE or in a BEAM LIMITING DEVICE, that is intended to give passage to the RADIATION BEAM

### 3.55

#### RADIATION BEAM

in RADIOLOGY, spatial region limited in solid angle and containing a flux of IONIZING RADIATION originating from a RADIATION SOURCE that is considered as a POINT SOURCE. LEAKAGE RADIATION and SCATTERED RADIATION are considered not to form a RADIATION BEAM.

Thus: X-RAY BEAM

### 3.56

#### RADIATION CONDITION

description of RADIATION FIELDS by a set of electrical and geometrical parameters such as X-RAY TUBE VOLTAGE, TOTAL FILTRATION and geometrical arrangements.

NOTE The term RADIATION CONDITION refers to a description of RADIATION FIELDS and not to a particular set-up for testing of EQUIPMENT.

### 3.57

#### RADIATION DETECTOR

EQUIPMENT, generally a sub-assembly or substance which, in the presence of RADIATION, provides by either direct or indirect means a signal or other indication suitable for use in measuring one or more quantities of the incident RADIATION

### 3.58

#### RADIATION FIELD

area on a surface intersected by a RADIATION BEAM within which the RADIATION intensity exceeds a specific or specified level.

Thus: X-RAY FIELD

### 3.59

#### RADIATION PROTECTION

limitation to an acceptable level of:

- RADIATION hazard;
- damage to material attributable to RADIATION.

### 3.60

#### RADIATION QUALITY

characteristic of IONIZING RADIATION determined by the spectral distribution of a RADIATION QUANTITY with respect to RADIATION ENERGY

NOTE For various purposes concerning X-RADIATION, practical approximations of RADIATION QUALITY are expressed in terms of variables such as:

- a) high voltage with PERCENTAGE RIPPLE and TOTAL FILTRATION;
- b) first HALF-VALUE LAYER for specified high voltage with its PERCENTAGE RIPPLE;
- c) first HALF-VALUE LAYER and TOTAL FILTRATION;
- d) the first HALF-VALUE LAYER and the quotient of the first HALF-VALUE LAYER by the second HALF-VALUE LAYER;
- e) equivalent energy.

### 3.61

#### RADIATION SOURCE

part of EQUIPMENT capable of emitting IONIZING RADIATION

### 3.62

#### RADIATION SOURCE ASSEMBLY

assembly of components comprising:

- the RADIATION SOURCE,
- the means providing protection against IONIZING RADIATION and, where applicable, against electric shock,
- the BEAM LIMITING SYSTEM.

Thus: X-RAY SOURCE ASSEMBLY

### 3.63

#### RADIOGRAPHIC RATING

for the operation of an X-RAY TUBE, specified combination of conditions and LOADING FACTORS, under which the specified limits of loadability of the X-RAY TUBE are attained

### 3.64

#### RADIOGRAPHY

technique for obtaining, recording and optionally processing directly or after TRANSFER, information contained in an X-RAY PATTERN at an IMAGE RECEPTION AREA intended to be analysed during a time independent from the IRRADIATION TIME

### 3.65

#### RADIOLOGICAL

referring to IONIZING RADIATION, its generation and application for scientific, medical and technical purposes

### 3.66

#### RADIOLOGICAL IMAGE

information obtained by using IONIZING RADIATION presented as an image suitable for medical diagnosis

### **3.67**

#### **RADIOLOGICAL INSTALLATION**

installed RADIOLOGICAL EQUIPMENT including all means for its intended operation

Thus: X-RAY INSTALLATION

### **3.68**

#### **RADIOLOGY**

science of IONIZING RADIATION and its application

### **3.69**

#### **RADIOSCOPY**

technique for obtaining continuously or periodically a sequence of X-RAY PATTERNS and presenting them directly or through a TRANSFER and optional processing simultaneously and continuously as visible images, intended to provide real-time guidance to an ongoing action

### **3.70**

#### **REFERENCE AIR KERMA**

AIR KERMA free in air in the primary X-RAY BEAM measured under specific conditions and expressed at the PATIENT ENTRANCE REFERENCE POINT

### **3.71**

#### **REFERENCE AIR KERMA RATE**

AIR KERMA RATE free in air in the primary X-RAY BEAM measured under specific conditions and expressed at the PATIENT ENTRANCE REFERENCE POINT

### **3.72**

#### **RESIDUAL RADIATION**

in MEDICAL RADIOLOGY, that part of the RADIATION BEAM which remains after having passed the plane of the IMAGE RECEPTION AREA and any relevant RADIATION measuring device

### **3.73**

#### **SCATTERED RADIATION**

IONIZING RADIATION emitted by interaction of IONIZING RADIATION with matter, the interaction being accompanied by a reduction in RADIATION ENERGY and/or by a change in direction of the RADIATION

### **3.74**

#### **SIGNIFICANT ZONE OF OCCUPANCY**

for X-RAY EQUIPMENT, zone with specified boundaries within an area under surveillance or within a CONTROLLED AREA, other than a PROTECTED AREA, that is significant because of the assumed need for persons to occupy it during IRRADIATION

### **3.75**

#### **STRAY RADIATION**

for IONIZING RADIATION, all RADIATION except that of the specified RADIATION BEAM under consideration, but including its RESIDUAL RADIATION

### **3.76**

#### **STRUCTURAL SHIELDING**

PROTECTIVE SHIELDING forming part of the building structure of a RADIOLOGICAL INSTALLATION

### **3.77**

#### **TOTAL FILTRATION**

the total of PERMANENT FILTRATION and ADDITIONAL FILTRATION

**3.78**

**X-RAY EQUIPMENT**

EQUIPMENT consisting of a combination of an X-RAY GENERATOR, ASSOCIATED EQUIPMENT and ACCESSORIES

**3.79**

**X-RAY GENERATOR**

combination of all components provided for the generation and control of X-RADIATION, comprising at least the HIGH-VOLTAGE GENERATOR interconnected with an X-RAY SOURCE ASSEMBLY

**3.80**

**X-RAY IMAGING ARRANGEMENT**

in X-RAY EQUIPMENT, arrangement of RADIATION SOURCE and X-RAY IMAGE RECEPTOR for a specified RADIOLOGICAL technique

**3.81**

**X-RAY IMAGE RECEPTOR**

device, intended to convert X-RAY PATTERNS into another form, from which a visible image is obtained either directly or indirectly

NOTE Examples of X-ray image receptors are intensifying screens, X-ray image intensifiers, digital X-ray imaging devices and radiation detectors in CT scanners.

**3.82**

**X-RAY PATTERN**

information contained in an X-RAY BEAM the distribution of intensity of which has been modulated by the object passed

**3.83**

**X-RAY TUBE**

evacuated vessel for the production of X-RADIATION by the bombardment of a TARGET, usually contained in an ANODE, with ELECTRONS accelerated from a CATHODE by an electric field

Thus:

- rotating ANODE X-RAY TUBE;
- double focus X-RAY TUBE

**3.84**

**X-RAY TUBE ASSEMBLY**

X-RAY TUBE HOUSING with an X-RAY TUBE installed

**3.85**

**X-RAY TUBE CURRENT**

electric current of the ELECTRON beam incident on the TARGET of an X-RAY TUBE. Usually, the X-RAY TUBE CURRENT is expressed by its mean value in milliamperes (mA)

**3.86**

**X-RAY TUBE HOUSING**

container for an X-RAY TUBE providing protection against electric shock and against X-RADIATION and having a RADIATION APERTURE. It may optionally contain additional components

**3.87**

**X-RAY TUBE LOAD**

electrical energy supplied to an X-RAY TUBE expressed by a combination of values of LOADING FACTORS



### 3.88

#### X-RAY TUBE VOLTAGE

potential difference applied to an X-RAY TUBE between the ANODE and the CATHODE. Usually, X-RAY TUBE VOLTAGE is expressed by its peak value in kilovolts (kV)

## 4 General requirements

### 4.1 Statement of compliance

Any statement of compliance with the requirements of this collateral standard shall be given in the following form:

xxxx with radiation protection in accordance with IEC 60601-1-3:2008,

where xxxx represents the object (e.g. "X-RAY EQUIPMENT") for which compliance is to be stated.

### 4.2 Composition of reference materials

Values of ATTENUATION EQUIVALENT, HALF-VALUE LAYER and QUALITY EQUIVALENT FILTRATION shall be expressed in this collateral standard as thicknesses of aluminium of purity 99,9 % or higher.

## 5 ME EQUIPMENT identification, marking and documents

### 5.1 Marking on the outside of ME EQUIPMENT or ME EQUIPMENT parts

Additionally to the requirements in Clause 7 of the general standard, the following applies.

#### 5.1.1 General

All subassemblies, components and ACCESSORIES of X-RAY EQUIPMENT that can be removed in NORMAL USE, and are relevant to compliance with this collateral standard, shall be marked to ensure,

- that they can be identified readily and correlated with the ACCOMPANYING DOCUMENTS;
- that interchangeable devices are individually distinguishable to the OPERATOR both in NORMAL USE and for the purpose of obtaining replacements.

All markings shall be permanently affixed and clearly legible as defined in Clause 7 of IEC 60601-1.

#### 5.1.2 Marking requirements in subclauses

In this collateral standard particular requirements for marking and for the content of markings are given in various subclauses, as indicated in Table 1.

**Table 1 – Subclauses containing requirements for marking**

Title	Subclause
General	5.1.1
Indication of FILTER properties	7.3

### 5.2 ACCOMPANYING DOCUMENTS

Additionally to the requirements of the general standard, the following applies.

### 5.2.1 References in subclauses

The subclauses of this collateral standard that contain requirements for statements in ACCOMPANYING DOCUMENTS (which include instructions for use and technical description) are listed in Table 2.

**Table 2 – Subclauses requiring statements in ACCOMPANYING DOCUMENTS**

Title	Subclause
Dosimetric calibration	5.2.2
General requirements for the reference of subassemblies and ACCESSORIES	5.2.3
General requirements for RADIATION dose information	5.2.4.1
Quantitative information	5.2.4.2
Dose indication	5.2.4.3
Clinical protocols	5.2.4.4
Deterministic effects	5.2.4.5
Risk to OPERATORS	5.2.4.6
Reproducibility of the RADIATION output	6.3.2
Indication of LOADING FACTORS and MODES OF OPERATION	6.4.3
Dosimetric indications	6.4.5
AUTOMATIC CONTROL SYSTEM	6.5
SCATTERED RADIATION reduction	6.6
System performance	6.7.2
RADIATION DETECTOR or X-RAY IMAGE RECEPTOR	6.7.4
Indication of FILTER properties	7.3
FOCAL SPOT TO IMAGE RECEPTOR DISTANCE	8.5.2
FOCAL SPOT TO SKIN DISTANCE - Information in the ACCOMPANYING DOCUMENTS	9.2
ATTENUATION of the X-RAY BEAM - Information in the ACCOMPANYING DOCUMENTS	10.2
Statement of reference LOADING conditions	12.3
Protection against STRAY RADIATION - General	13.1
Control from a PROTECTED AREA	13.2
Protection by distance	13.3
Designated SIGNIFICANT ZONES OF OCCUPANCY	13.4

### 5.2.2 Dosimetric calibration

When dosimetric indications are provided on the EQUIPMENT, the ACCOMPANYING DOCUMENTS shall contain information and instructions on how to check and maintain the accuracy of dosimetric indications specified by the MANUFACTURER.

*Compliance is checked by inspection of the ACCOMPANYING DOCUMENTS.*

### 5.2.3 General requirements for the reference of subassemblies and ACCESSORIES

ACCOMPANYING DOCUMENTS shall clearly identify the items to which they refer and shall include:

- the replication of all information required in this collateral standard to be marked on the items;
- for subassemblies forming part of the items, the following information about the location and content of their required markings:
  - a) for markings accessible in the complete assembly, the location of the markings and instructions for enabling them to be inspected;
  - b) for markings inaccessible in the complete assembly, either
    - 1) the replication of all information required in this collateral standard to be marked on the subassemblies; or
    - 2) a list of the subassemblies concerned, with references to their own ACCOMPANYING DOCUMENTS.
- For items, such as components and subassemblies, specified to be supplied separately from the main assemblies of which they are intended to form a part, technical descriptions with the information necessary to maintain their compliance with this collateral standard in the main assemblies concerned.

*Compliance is checked by inspection of the ACCOMPANYING DOCUMENTS.*

#### **5.2.4 Instructions for use**

Additionally to the requirements of the general standard the following applies.

##### **5.2.4.1 General requirements for RADIATION dose information**

The instructions for use shall contain all the information specific to the EQUIPMENT allowing the user to minimize the possibility of exposing PATIENTS to RADIATION dose levels where deterministic effects may occur during the NORMAL USE of the EQUIPMENT, to optimise the RADIATION dose delivered to the PATIENTS and to minimize the IRRADIATION of the OPERATORS.

##### **5.2.4.2 Quantitative information**

For each INTENDED USE of the EQUIPMENT, the following information shall be provided:

- the RADIATION QUANTITY (or quantities) used for describing the RADIATION dose to the PATIENT. This quantity must be useful for assessing the RADIATION RISK to the PATIENT.

NOTE Such quantities are, for example, the ENTRANCE SURFACE dose (or dose rate), the DOSE AREA PRODUCT or the  $CTDI_{vol}$ .

- the description of a specified test object representative of an average PATIENT;
- the specified procedure allowing measurement of the RADIATION QUANTITY (or quantities) for the specified test object;
- the value of the specified RADIATION QUANTITY (or quantities) when the specified test object is used to simulate a PATIENT when performing a procedure typical of this INTENDED USE;
- the influence of the main adjustments or selections available to the OPERATOR on the value of the specified RADIATION QUANTITY.

NOTE Examples of such adjustments or selections are MODES OF OPERATION, LOADING FACTORS, FOCAL SPOT selection and FOCAL SPOT TO IMAGE RECEPTOR DISTANCE. INTENDED USE should not be confused with NORMAL USE. While both include the concept of use as intended by the MANUFACTURER, INTENDED USE focusses on the medical purpose. NORMAL USE incorporates not only the medical purpose, but maintenance, service, transport etc..

*Compliance is checked by inspection of the instructions for use.*

##### **5.2.4.3 Dose indication**

If applicable, the method used to provide RADIATION dose indication during the NORMAL USE of the EQUIPMENT shall be described directly or by reference to a published reference.

*Compliance is checked by inspection of the instructions for use.*

#### 5.2.4.4 Clinical protocols

When clinical protocols are proposed by the MANUFACTURER, and preloaded on the EQUIPMENT, the instructions for use shall state if they constitute recommendations to be applied directly so as to allow optimized operation or if they are only examples/starting points, to be replaced by more specific protocols developed by the user.

*Compliance is checked by inspection of the instructions for use.*

#### 5.2.4.5 \* Deterministic effects (ICRP60)[17]

If there is a possibility in NORMAL USE that the PATIENT can be exposed to RADIATION dose levels where deterministic effects may occur, the instructions for use shall address this fact. In this case, the particular MODES OF OPERATION, configurations and circumstances in which deterministic effects may occur shall be listed and the following information shall be provided.

- a) The instructions shall draw attention to the need to manage high RADIATION doses, and, when applicable, to the availability of selectable settings that can have a significant effect on the RADIATION QUALITY, the delivered RADIATION dose, AIR KERMA or AIR KERMA RATE and the image quality.
- b) The number of EXPOSURES or the duration of LOADING necessary to reach levels where deterministic effects are possible on the specified average PATIENT and for obese PATIENTS shall be stated.
- c) Information shall be provided concerning available settings of LOADING FACTORS, technique factors and operating parameters that affect the RADIATION QUALITY or the prevailing RADIATION dose (rate) in NORMAL USE.

*Compliance is checked by inspection of the instructions for use.*

#### 5.2.4.6 RISK to OPERATORS

The instructions for use shall draw the attention of the user to the need to restrict access to the EQUIPMENT in accordance with local regulations for RADIATION PROTECTION.

All information necessary to minimize the IRRADIATION of the OPERATORS in NORMAL USE shall be provided.

For each type of procedure where OPERATORS have to stay during NORMAL USE in SIGNIFICANT ZONES OF OCCUPANCY, the following information shall be provided:

- a) the RADIATION dose resulting from the operation of the EQUIPMENT measured using a specified procedure;
- b) means to reduce the RADIATION dose received by the OPERATOR, such as RADIATION PROTECTION provisions provided during installation of the EQUIPMENT, precautions in use, and adjustments of the EQUIPMENT settings;
- c) a list of PROTECTIVE DEVICES and ACCESSORIES to be used for RADIATION PROTECTION. The listing may include PROTECTIVE DEVICES such as PROTECTIVE CLOTHING, recommended for use but not forming part of the EQUIPMENT.

*Compliance is checked by inspection of the instructions for use.*

## 6 RADIATION management

### 6.1 General

X-RAY EQUIPMENT shall be so designed to enable the management of the delivery of X-RADIATION to the PATIENT in a safe and effective way. The measures required in subclauses 6.3 to 6.7 are necessary to enable an acceptable dose-benefit balance to be achieved.

## 6.2 Initiation and termination of the IRRADIATION

### 6.2.1 Normal initiation and termination of the IRRADIATION

Each LOADING shall be initiated and maintained by means of a control requiring continuous actuation by the OPERATOR. It shall be possible for the OPERATOR to terminate the LOADING at any time.

Any control by which the LOADING of an X-RAY TUBE can be initiated shall be protected against unintended actuation using means compatible with the INTENDED USE of the X-RAY EQUIPMENT.

*Compliance is checked by inspection and by the appropriate functional tests.*

### 6.2.2 Safety measures against failure of normal termination of the IRRADIATION

In the case of a failure of its normal termination, the IRRADIATION shall be terminated by a safety measure.

If the normal termination of IRRADIATION is not effected on the basis of a RADIATION measurement, continuous actuation by the OPERATOR (see 6.2.1) is sufficient as the safety measure.

The system for normal termination of IRRADIATION and the system used for the safety measure shall be separated so that a failure in one system does not affect termination by the other system.

A visible indication at the CONTROL PANEL shall be provided whenever a LOADING has been terminated by the safety means required. Another LOADING in the same MODE OF OPERATION shall not be possible until a control device provided for resetting has been operated at the CONTROL PANEL.

*Compliance is checked by inspection and by the appropriate functional tests.*

## 6.3 RADIATION dose and RADIATION QUALITY

### 6.3.1 Adjustment of RADIATION dose and RADIATION QUALITY

It shall be possible to restrict the RADIATION dose to the PATIENT in line with the INTENDED USE of the X-RAY EQUIPMENT. It shall be possible to adjust the RADIATION QUALITY over a suitable range in line with the INTENDED USE of the X-RAY EQUIPMENT.

When the adjustment of the quantity of X-RADIATION contributing to the image is made through a manual selection among discrete values of LOADING FACTORS having an essentially proportional relation to the amount of X-RADIATION produced, particularly values for X-RAY TUBE CURRENT, LOADING TIME or CURRENT TIME PRODUCT, these values shall be chosen from the series R'10 or R'20 according to ISO 497 (see Annex B).

NOTE Using values according to this geometric progression helps the OPERATOR in adjusting the quantity of X-RADIATION by amounts that are just significant, both in terms of RADIATION dose to the PATIENT and image quality.

*Compliance is checked by inspection and functional tests.*

### 6.3.2 Reproducibility of the RADIATION output

For EQUIPMENT where this item is not addressed by a particular standard, the RISK MANAGEMENT FILE shall determine the reproducibility of the RADIATION output relative to fixed LOADING FACTORS required for the INTENDED USE.

The ACCOMPANYING DOCUMENTS shall state the accuracy of RADIATION output.

*Compliance is checked by inspection.*

## **6.4 Indication of operational states**

### **6.4.1 Indication of the X-RAY SOURCE ASSEMBLY selected**

Where X-RAY EQUIPMENT has provisions to select more than one X-RAY SOURCE ASSEMBLY and/or X-RAY IMAGING ARRANGEMENT, an indication of the X-RAY SOURCE ASSEMBLY and/or X-RAY IMAGING ARRANGEMENT selected shall be provided on the CONTROL PANEL prior to the LOADING of the X-RAY SOURCE ASSEMBLY.

Where X-RAY EQUIPMENT has provisions to initiate the LOADING of more than one X-RAY SOURCE ASSEMBLY from a single location, means shall be provided at or near each X-RAY SOURCE ASSEMBLY to indicate that this X-RAY SOURCE ASSEMBLY has been selected.

*Compliance is checked by inspection.*

### **6.4.2 Indication of LOADING STATE**

The LOADING STATE shall be unambiguously indicated in NORMAL USE and SINGLE FAULT CONDITIONS to the OPERATOR and to other persons that are likely to be exposed to X-RADIATION.

NOTE 1 PATIENTS are not considered to be “other persons” in the requirement above.

NOTE 2 The presence of an image on an IMAGE DISPLAY DEVICE is not considered to satisfy this requirement.

When in NORMAL USE the termination of the LOADING STATE is determined by the EQUIPMENT, the termination shall be unambiguously indicated to the OPERATOR by an audible signal. Series of LOADING STATES initiated by a single actuation shall be considered as one LOADING for this requirement.

*Compliance is checked by inspection.*

### **6.4.3 Indication of LOADING FACTORS and MODES OF OPERATION**

Adequate information shall be available to the OPERATOR before, during and after the LOADING of an X-RAY TUBE, regarding LOADING FACTORS or MODES OF OPERATION so as to enable the OPERATOR to:

- determine and preselect optimal conditions for the IRRADIATION;
- subsequently obtain data necessary for the estimation of the RADIATION dose received by the PATIENT.

The accuracy of the LOADING FACTORS required for the INTENDED USE shall be determined in the RISK MANAGEMENT FILE or by application of a particular standard.

The ACCOMPANYING DOCUMENTS shall state the accuracy of LOADING FACTORS.

*Compliance is checked by inspection of the RISK MANAGEMENT FILE, ACCOMPANYING DOCUMENTS and by the appropriate functional tests.*

### **6.4.4 Indication of automatic modes**

For X-RAY EQUIPMENT operating with AUTOMATIC CONTROL SYSTEMS, the preselected mode of automatic operation shall be indicated on the CONTROL PANEL.

*Compliance is checked by inspection.*

#### **6.4.5 Dosimetric indications**

Means shall be provided to allow the user to estimate the RADIATION dose delivered to the PATIENT. This requirement may be satisfied by providing information in the ACCOMPANYING DOCUMENTS, by the indication of dosimetric values or by a combination thereof. The resulting accuracy shall be specified in the ACCOMPANYING DOCUMENTS.

NOTE Requirements for particular dosimetric indications are the subject of particular standards within the IEC 60601-series.

*Compliance is checked by inspection.*

#### **6.5 AUTOMATIC CONTROL SYSTEM**

X-RAY EQUIPMENT should be provided with an AUTOMATIC CONTROL SYSTEM.

If the OPERATOR, within the INTENDED USE, is not able to adjust the LOADING FACTORS to match the PATIENT characteristics (e.g. thickness), an AUTOMATIC CONTROL SYSTEM shall be provided.

NOTE The inclusion of a manual mode option is not in contradiction to these requirements and is often useful.

The constancy of AUTOMATIC EXPOSURE CONTROLS required for the INTENDED USE shall be determined in the RISK MANAGEMENT FILE or by application of a particular standard.

The ACCOMPANYING DOCUMENTS shall state the accuracy of AUTOMATIC CONTROL SYSTEMS.

*Compliance is checked by inspection of the RISK MANAGEMENT FILE and by the appropriate functional tests.*

#### **6.6 SCATTERED RADIATION reduction**

Means shall be provided to reduce the influence of RADIATION scattered in the PATIENT to the X-RAY IMAGE RECEPTOR in case of significant influence on the image quality. If such means are removable by the OPERATOR, their presence or absence shall be clearly visible or indicated to the OPERATOR.

The proper use of such means shall be described in the instructions for use.

*Compliance is checked by inspection of the instructions for use and by the appropriate functional tests.*

#### **6.7 Imaging performance**

##### **6.7.1 General**

In order to achieve an acceptable dose-benefit balance, it is important that the expected medical benefit justifies the IRRADIATION. The measures required in subclauses 6.7.2 to 6.7.4 are necessary to enable an acceptable imaging performance to be achieved.

##### **6.7.2 System performance**

Since not all applications or tasks in medical X-ray imaging require the same level of performance, and of RADIATION dose, the INTENDED USE of the EQUIPMENT shall be specified, and described in the ACCOMPANYING DOCUMENTS.

For the INTENDED USE, metrics describing imaging performance shall be defined and specified.

*Compliance is checked by inspection of the RISK MANAGEMENT FILE and the ACCOMPANYING DOCUMENTS.*



### 6.7.3 Nominal focal spot value

The nominal focal spot values of the X-RAY TUBE(s) FOCAL SPOTS in the EQUIPMENT shall be stated according to IEC 60336:1993 or later versions of IEC 60336 and shall be compatible with each application within the INTENDED USE.

*Compliance is checked by inspection of the RISK MANAGEMENT FILE and the ACCOMPANYING DOCUMENTS.*

### 6.7.4 RADIATION DETECTOR or X-RAY IMAGE RECEPTOR

If a RADIATION DETECTOR or X-RAY IMAGE RECEPTOR is integrated in the X-RAY EQUIPMENT, its contribution to the metrics of imaging performance shall be specified. This contribution should ensure the efficient use of RADIATION.

If no X-RAY IMAGE RECEPTOR is integrated in the system, examples of X-RAY IMAGE RECEPTOR types or performance shall be described in the ACCOMPANYING DOCUMENTS.

*Compliance is checked by inspection of the RISK MANAGEMENT FILE and the ACCOMPANYING DOCUMENTS.*

## 7 RADIATION QUALITY

### 7.1 HALF-VALUE LAYERS and TOTAL FILTRATION in X-RAY EQUIPMENT

The RADIATION QUALITY of the X-RAY BEAM provided by the X-RAY EQUIPMENT shall be appropriate for producing the intended images without administering unnecessarily high DOSES to the PATIENT.

The TOTAL FILTRATION in the beam needs to be sufficient in order to achieve the preceding goal. Requirements for minimum FILTRATION are given here in terms of total QUALITY EQUIVALENT FILTRATION or of the first HALF-VALUE LAYER for specified X-RAY TUBE VOLTAGE.

In X-RAY EQUIPMENT, for all configurations available in NORMAL USE, the first HALF-VALUE LAYERS attained in the X-RAY BEAM incident on the PATIENT shall not be less than the minimum permissible values given in Table 3 unless the X-RAY EQUIPMENT is exempted by a particular standard.

Alternative to the preceding paragraph, the TOTAL FILTRATION arising from materials in the X-RAY BEAM incident on the PATIENT shall not be less than 2,5 mm Al QUALITY EQUIVALENT FILTRATION unless the X-RAY EQUIPMENT is exempted by a particular standard.

IECNORM.COM : Click to view the full PDF of IEC 60601-1-3:2008+AMD1:2013+AMD2:2021 CSV



**Table 3 – HALF-VALUE LAYERS in X-RAY EQUIPMENT**

X-RAY TUBE VOLTAGE kV	Minimum permissible first HALF-VALUE LAYER mm Al
50	1,8
60	2,2
70	2,5
80	2,9
90	3,2
100	3,6
110	3,9
120	4,3
130	4,7
140	5,0
150	5,4

– HALF-VALUE LAYERS for other voltages shall be obtained by linear interpolation or extrapolation.  
– These HALF-VALUE LAYER values correspond to a TOTAL FILTRATION of 2,5 mm Al for X-RAY EQUIPMENT, operating at constant potential X-RAY TUBE VOLTAGE.

*Compliance is checked by the tests described in 7.4, 7.5 and 7.6 and inspections.*

## 7.2 Waveform of the X-RAY TUBE VOLTAGE

The distribution of X-RAY TUBE VOLTAGES during LOADING shall not produce an excessive increase in low energy RADIATION in the X-RAY BEAM. In particular this applies to:

- the rising phase of the X-RAY TUBE VOLTAGE;
- the falling phase of the X-RAY TUBE VOLTAGE; and
- the shape and amplitude of the X-RAY TUBE VOLTAGE RIPPLE.

The X-RAY TUBE VOLTAGE waveform, which, in conjunction with the TOTAL FILTRATION in the X-RAY EQUIPMENT, results in an acceptable RADIATION dose for the INTENDED USE shall be determined in the RISK MANAGEMENT FILE or by application of a particular standard.

*Compliance is checked by inspection.*

## 7.3 Indication of FILTER properties

Means shall be provided to indicate:

- the PERMANENT FILTRATION in the X-RAY BEAM;
- thickness and chemical composition of each ADDED FILTER.

FILTER properties shall be indicated as follows:

- X-RAY TUBE ASSEMBLIES shall be marked with their PERMANENT FILTRATION or with the thicknesses of the materials concerned, together with their chemical symbols.
- When accessible to the OPERATOR, ADDED FILTERS, including EDGE FILTERS, shall be marked so that the thickness and chemical symbols of each material employed can be identified. The marking may be given in the form of a reference to a statement of these particulars in the ACCOMPANYING DOCUMENTS.
  - For all ADDED FILTERS, the ACCOMPANYING DOCUMENTS shall state the QUALITY EQUIVALENT FILTRATION in thickness of aluminium or another suitable reference material, together with the RADIATION QUALITY used for its determination (Example: 0,3 mm Al 75 kV/HVL 2,7 mm Al). Any value of QUALITY EQUIVALENT FILTRATION given for an EDGE FILTER shall relate to the low-energy side of the discontinuity.

- Fixed layers of material in the X-RAY BEAM incident on the PATIENT, other than ADDED FILTERS and irremovable materials in X-RAY TUBE ASSEMBLIES, shall be marked to show the QUALITY EQUIVALENT FILTRATION in thickness of aluminium together with the RADIATION QUALITY used for its determination. The marking may be given in the form of a reference to a statement of these particulars in the ACCOMPANYING DOCUMENTS. Such layers need not be marked if they add altogether no more than a QUALITY EQUIVALENT FILTRATION of 0,2 mm Al and they are not intended to be taken into account as part of the TOTAL FILTRATION required for compliance with 4th paragraph of subclause 7.1.
- Where the X-RAY EQUIPMENT has provisions to select ADDED FILTERS by remote control or automatic systems the selected ADDED FILTER shall be indicated on the CONTROL PANEL.

*Compliance is checked by inspection, as appropriate, of the X-RAY TUBE ASSEMBLIES, filtering materials and ADDED FILTERS and by examination of the ACCOMPANYING DOCUMENTS.*

#### **7.4 Test for FILTRATION by irremovable materials**

*Determine the represented FILTRATION by irremovable materials in an X-RAY SOURCE ASSEMBLY by adding the values of QUALITY EQUIVALENT FILTRATION from each irremovable layer of material intercepting the X-RAY BEAM. If this information is not obtainable, determine the QUALITY EQUIVALENT FILTRATION in accordance with IEC 60522.*

#### **7.5 Test for ADDED FILTERS and materials**

*Determine the QUALITY EQUIVALENT FILTRATION of ADDED FILTERS and of other materials forming part of the TOTAL FILTRATION, under NARROW BEAM CONDITIONS, as the thickness of aluminium that results in the same first HALF-VALUE LAYER as the material under test. For measurement, use an X-RAY BEAM with the same X-RAY TUBE VOLTAGE as used to determine the FILTRATION by irremovable materials and the first HALF-VALUE LAYER given in Table 3.*

*If the QUALITY EQUIVALENT FILTRATION of an EDGE FILTER is to be determined, use a RADIATION QUALITY appropriate to the low-energy side of the discontinuity.*

#### **7.6 Test for HALF-VALUE LAYER**

*Measure the first HALF-VALUE LAYER under NARROW BEAM CONDITIONS with the X-RAY EQUIPMENT operating at selected values of X-RAY TUBE VOLTAGE given in Table 3 at corresponding LOADING FACTORS in the range of NORMAL USE.*

### **8 Limitation of the extent of the X-RAY BEAM and relationship between X-RAY FIELD and IMAGE RECEPTION AREA**

#### **8.1 General**

X-RAY EQUIPMENT shall be designed to limit the RADIATION FIELD not contributing to the formation of the image.

Implementation shall be considered in the RISK MANAGEMENT FILE or by using particular standards.

NOTE This clause has been reduced in comparison with the first edition of this collateral standard because most of its content was considered to be specific to projection RADIOGRAPHY and RADIOSCOPY.

#### **8.2 Enclosure of X-RAY TUBES**

X-RAY TUBES shall be utilized as part of an X-RAY SOURCE ASSEMBLY, including the functions of an X-RAY TUBE HOUSING and a BEAM LIMITING SYSTEM.

*Compliance is checked by inspection.*

### 8.3 Limiting DIAPHRAGM in X-RAY TUBE ASSEMBLIES

An X-RAY TUBE ASSEMBLY shall not have a RADIATION APERTURE larger than is needed to provide the largest X-RAY BEAM required for its specified applications. The RADIATION APERTURE shall be restricted to the appropriate size by means of a fixed-size DIAPHRAGM, fitted as close as practicable to the FOCAL SPOT.

*Compliance is checked by verification of the technical description and design data.*

### 8.4 Confinement of EXTRA-FOCAL RADIATION

The contribution of EXTRA-FOCAL RADIATION to the X-RAY IMAGE RECEPTOR and to the PATIENT dose shall be limited to an acceptable level. Acceptable levels of EXTRA-FOCAL RADIATION might be given in the particular standards.

NOTE One of the most important means of decreasing the EXTRA-FOCAL RADIATION is to limit the RADIATION BEAM close to the FOCAL-SPOT.

*Compliance is checked by verification of the technical description and design data.*

### 8.5 Relationship between X-RAY FIELD and IMAGE RECEPTION AREA

#### 8.5.1 General

X-RAY EQUIPMENT shall be designed in such a way that the X-RAY BEAM can be safely directed and aligned in relation to the PATIENT and to the X-RAY IMAGE RECEPTOR, as appropriate to the specified applications, to ensure that the X-RAY EQUIPMENT is capable of being used without excessive RISK of administering RADIATION to the PATIENT, from which useful diagnostic information cannot be derived.

#### 8.5.2 \* FOCAL SPOT TO IMAGE RECEPTOR DISTANCE

The FOCAL SPOT TO IMAGE RECEPTOR DISTANCE shall be indicated as follows:

- the ACCOMPANYING DOCUMENTS shall contain particulars of the values or ranges of the FOCAL SPOT TO IMAGE RECEPTOR DISTANCE specified for NORMAL USE;
- if the FOCAL SPOT TO IMAGE RECEPTOR DISTANCE is adjustable and the specified applications require its value to be known to the OPERATOR prior to LOADING, the currently selected value shall be indicated on the EQUIPMENT;
- the accuracy of indication shall be such that the FOCAL SPOT TO IMAGE RECEPTOR DISTANCE does not differ by more than 5 % from any corresponding value indicated on the EQUIPMENT or from any corresponding value stated in the ACCOMPANYING DOCUMENTS.

*Compliance is checked by inspection and functional tests, by examination of the ACCOMPANYING DOCUMENTS and, where applicable, by measurement of the FOCAL SPOT TO IMAGE RECEPTOR DISTANCE in selected configurations and settings of the EQUIPMENT.*

#### 8.5.3 Correspondence between X-RAY FIELD and EFFECTIVE IMAGE RECEPTION AREA

Means shall be provided to adjust the X-RAY FIELD such that its position and size correspond to the EFFECTIVE IMAGE RECEPTION AREA within an acceptable accuracy according to the particular standards or the RISK MANAGEMENT FILE.

NOTE If a secondary BEAM LIMITING DEVICE is used between PATIENT and X-RAY IMAGE RECEPTOR, this requirement applies to the X-RAY FIELD defined by the primary BEAM LIMITING DEVICE and the EFFECTIVE IMAGE RECEPTION AREA as defined by the secondary BEAM LIMITING DEVICE.

*Compliance is checked by inspection of the RISK MANAGEMENT FILE.*

#### **8.5.4 Positioning of the PATIENT and restriction of the irradiated area**

X-RAY EQUIPMENT shall be designed in such a way that for the INTENDED USE the extent of the irradiated area can be restricted to what is required clinically.

All those parts of a PATIENT that are specified to be imaged shall be visible in the image.

NOTE This could be achieved for example by a light field or a visible mark.

*Compliance is checked by inspection.*

### **9 FOCAL SPOT TO SKIN DISTANCE**

#### **9.1 General**

The FOCAL SPOT TO SKIN DISTANCES in NORMAL USE shall be sufficiently large to keep the RADIATION dose to the PATIENT as low as reasonably achievable.

Implementation of a minimum FOCAL SPOT TO SKIN DISTANCE shall be considered in the RISK MANAGEMENT FILE or by using particular standards.

*Compliance is checked by inspection of the RISK MANAGEMENT FILE.*

#### **9.2 Information in the ACCOMPANYING DOCUMENTS**

The instructions for use shall include information for the OPERATOR describing the effects of changes in the FOCAL SPOT TO SKIN DISTANCE on the RADIATION dose to the PATIENT.

*Compliance is checked by examination of the instructions for use.*

### **10 ATTENUATION of the X-RAY BEAM between the PATIENT and the X-RAY IMAGE RECEPTOR**

#### **10.1 General**

X-RAY EQUIPMENT shall be designed in such a way that that the ATTENUATION of the X-RAY BEAM by material interposed between the PATIENT and the X-RAY IMAGE RECEPTOR is kept as low as reasonably achievable in order to avoid unnecessarily high doses to the PATIENT and, through STRAY RADIATION, to the OPERATOR. Values of ATTENUATION EQUIVALENT and RADIATION CONDITIONS for testing required for the INTENDED USE shall be determined in the RISK MANAGEMENT FILE or by application of a particular standard.

*Compliance is checked by examination of the RISK MANAGEMENT FILE.*

#### **10.2 Information in the ACCOMPANYING DOCUMENTS**

The ACCOMPANYING DOCUMENTS shall state the maximum value of the ATTENUATION EQUIVALENT of each item interposed between the PATIENT and the X-RAY IMAGE RECEPTOR and forming part of the X-RAY EQUIPMENT.

For diagnostic X-RAY EQUIPMENT specified to be used in combination with ACCESSORIES or other items not forming part of the same or other diagnostic X-RAY EQUIPMENT, the instructions for use shall include a statement drawing attention to the possible adverse effects arising from materials located in the X-RAY BEAM (e.g. parts of an operating table).

*Compliance is checked by examination of the ACCOMPANYING DOCUMENTS.*

## 11 Protection against RESIDUAL RADIATION

For equipment where this item is not addressed by a standard, the RISK MANAGEMENT FILE shall evaluate the RADIATION dose resulting from the RESIDUAL RADIATION

- for the PATIENT, relative to the RADIATION dose resulting from the examination;
- for other persons, relative to the dose resulting from X-RADIATION scattered off the PATIENT.

When, in NORMAL USE, RESIDUAL RADIATION may contribute significantly to the RADIATION dose received by:

- OPERATORS,
- other persons present in the examination room during the LOADING (e.g. parents holding a child, other PATIENTS or personnel),
- parts of the PATIENT other than from those being currently imaged,

the X-RAY EQUIPMENT shall incorporate PRIMARY PROTECTIVE SHIELDING.

Where required, the PRIMARY PROTECTIVE SHIELDING shall have appropriate extent and capability to attenuate the RESIDUAL RADIATION.

*Compliance is checked by inspection.*

## 12 \* Protection against LEAKAGE RADIATION

### 12.1 General

X-RAY EQUIPMENT shall incorporate appropriate measures to protect the PATIENT, the OPERATOR and staff against LEAKAGE RADIATION.

The RADIATION dose acceptable within the INTENDED USE and resulting from the LEAKAGE RADIATION shall be determined in the RISK MANAGEMENT FILE or by application of a particular standard:

- for the PATIENT, relative to the RADIATION dose resulting from the examination;
- for other persons, relative to the dose resulting from X-RADIATION scattered off the PATIENT.

In NORMAL USE, LEAKAGE RADIATION shall not contribute significantly to the RADIATION dose received by:

- OPERATORS;
- other persons present in the examination room during the LOADING (e.g. parents holding a child, other PATIENTS or personnel);
- parts of the PATIENT other than from those being currently imaged.

Subclauses 12.2 to 12.5 contain requirements concerning LEAKAGE RADIATION from X-RAY TUBE ASSEMBLIES and X-RAY SOURCE ASSEMBLIES sufficient to demonstrate compliance with the requirements of this subclause.

*Compliance is checked by inspection of the RISK MANAGEMENT FILE.*

### 12.2 Mounting of X-RAY SOURCE ASSEMBLIES and X-RAY IMAGING ARRANGEMENTS

Neither the X-RAY SOURCE ASSEMBLIES nor the X-RAY IMAGE RECEPTOR shall need to be hand held during LOADING in NORMAL USE.

Exceptions shall be justified in the RISK MANAGEMENT FILE or by application of a particular standard.

*Compliance is checked by inspection.*

### 12.3 Statement of reference LOADING conditions

The ACCOMPANYING DOCUMENTS for all X-RAY TUBE ASSEMBLIES and X-RAY SOURCE ASSEMBLIES shall state the values of LOADING FACTORS that would, if applied at the NOMINAL X-RAY TUBE VOLTAGE, correspond to the maximum specified energy input to the ANODE in one hour. For this purpose the maximum specified energy input in one hour may be taken either:

- as the value permitted by LOADING in RADIOGRAPHY at the applicable X-RAY TUBE VOLTAGE, according to the RADIOGRAPHIC RATINGS, corresponding to a total CURRENT TIME PRODUCT during one hour; or
- as the value corresponding to the specified CONTINUOUS ANODE INPUT POWER.

*Compliance is checked by examination of the ACCOMPANYING DOCUMENTS.*

### 12.4 LEAKAGE RADIATION in the LOADING STATE

In the LOADING STATE, the AIR KERMA due to LEAKAGE RADIATION from X-RAY TUBE ASSEMBLIES and X-RAY SOURCE ASSEMBLIES, at 1 m from the FOCAL SPOT, averaged over any area of 100 cm<sup>2</sup> of which no principal linear dimension exceeds 20 cm, when operated at the NOMINAL X-RAY TUBE VOLTAGE under conditions of LOADING corresponding to the reference LOADING conditions, shall not exceed 1,0 mGy in one hour. Particular standards may specify different limits of LEAKAGE RADIATION for specific X-RAY EQUIPMENT.

*Compliance is checked by the following test procedure:*

- a) *block the RADIATION APERTURE sufficiently to ensure that measurements of LEAKAGE RADIATION are not affected by RADIATION passing through it. Make and fit any cover used for this purpose to be as close as practicable to the RADIATION APERTURE and not to overlap it to an extent greater than is required for effective blocking;*
- b) *for LOADING during the test*
  - 1) *use the NOMINAL X-RAY TUBE VOLTAGE for the X-RAY TUBE ASSEMBLY or X-RAY SOURCE ASSEMBLY under test;*
  - 2) *use either RADIOSCOPY at a convenient value of X-RAY TUBE CURRENT, or RADIOGRAPHY at a convenient value of CURRENT TIME PRODUCT;*
  - 3) *do not use LOADINGS so as to cause any specified ratings to be exceeded during the test;*
- c) *determine, if necessary by making measurements, how the determination of LEAKAGE RADIATION will be affected by the settings and configurations specified for the NORMAL USE of the assembly under test. For the test itself, adopt the combination appearing to be the least favourable with regard to compliance;*
- d) *with the appropriate LOADING FACTORS applied, make a sufficient number of measurements to determine the maximum AIR KERMA or AIR KERMA RATE at 1 m from the FOCAL SPOT over the entire spherical surface;*
- e) *normalize the MEASURED VALUES at the LOADING FACTORS actually used, to values of AIR KERMA in one hour corresponding to the reference conditions of LOADING stated in the ACCOMPANYING DOCUMENTS, in accordance with 12.3;*
- f) *make any necessary adjustments to the values to take into account the permitted averaging over areas, as described in 12.4;*
- g) *in knowledge of the results obtained, repeat step c) and make further measurements in accordance with d) to f) at other settings and configurations if it appears that the results of these could affect the outcome of the final determination of compliance;*



- h) *compliance is achieved if no MEASURED VALUE obtained by the test procedure exceeds the required limit.*

### **12.5 LEAKAGE RADIATION when not in the LOADING STATE**

When not in the LOADING STATE, the AIR KERMA due to LEAKAGE RADIATION from X-RAY TUBE ASSEMBLIES and X-RAY SOURCE ASSEMBLIES, at 5 cm from any ACCESSIBLE SURFACE, averaged over any area of 10 cm<sup>2</sup> of which no principal linear dimension exceeds 5 cm, shall not exceed 20 µGy in one hour.

*Compliance is checked by the following test procedure:*

- a) *operate the X-RAY EQUIPMENT, device or subassembly under conditions of NORMAL USE, other than in the LOADING STATE, that are the most unfavourable for compliance with the requirement;*
- b) *make a sufficient number of measurements of AIR KERMA or AIR KERMA RATE at 5 cm from the ACCESSIBLE SURFACE, to establish the profile of LEAKAGE RADIATION in one hour over the entire surface;*
- c) *make any necessary adjustments to the values to take into account the permitted averaging over areas, as described in 12.5;*
- d) *Compliance is achieved if no MEASURED VALUE obtained by the test procedure exceeds the required limit.*

## **13 Protection against STRAY RADIATION**

### **13.1 General**

X-RAY EQUIPMENT shall incorporate appropriate measures to protect the OPERATOR and staff against STRAY RADIATION. The measures as required in subclauses 13.2 to 13.5 include, as applicable, protection by distance, control of X-RAY EQUIPMENT from PROTECTED AREAS, the designation of SIGNIFICANT ZONES OF OCCUPANCY with particular characteristics, the inclusion of appropriate PROTECTIVE DEVICES, limitation of the RADIATION dose at the locations of handgrips and control devices, and statements in the ACCOMPANYING DOCUMENTS.

*Compliance is checked by examination of the ACCOMPANYING DOCUMENTS.*

### **13.2 Control of X-RAY EQUIPMENT from a PROTECTED AREA**

X-RAY EQUIPMENT specified exclusively for examinations that do not need the OPERATOR or staff to be close to the PATIENT during NORMAL USE shall be provided with means to allow the following control functions to be implemented from a PROTECTED AREA after installation:

- selection and control of MODES OF OPERATION;
- selection of LOADING FACTORS;
- actuation of the IRRADIATION SWITCH;
- other necessary controls for the OPERATOR during LOADING.

Relevant instructions shall be given in the ACCOMPANYING DOCUMENTS.

The ACCOMPANYING DOCUMENTS shall include a statement drawing the attention of the user to the need for providing means for audio and visual communication between the OPERATOR and the PATIENT.

Exceptions from this subclause 13.2 of this collateral standard shall be justified in the RISK MANAGEMENT FILE or by application of a particular standard. In those cases subclause 13.3 applies.

NOTE The first edition of IEC 60601-1-3 exempted a specified list of equipment which is now subject to particular standards.

*Compliance is checked by inspection of the EQUIPMENT, the RISK MANAGEMENT FILE and the ACCOMPANYING DOCUMENTS.*

### 13.3 Protection by distance

For X-RAY EQUIPMENT specified exclusively for examinations that do not require the OPERATOR, staff or other persons to be close to the PATIENT during NORMAL USE, and if subclause 13.2 is not applied, protection against STRAY RADIATION shall be achieved by enabling the OPERATOR to control IRRADIATION from a sufficiently long distance.

For the INTENDED USE the distance required and the RADIATION dose resulting from the STRAY RADIATION shall be determined in the RISK MANAGEMENT FILE or by application of a particular standard.

When protection is effected by distance, information shall be provided in the ACCOMPANYING DOCUMENTS on the impact of distance on the RADIATION dose. Statements shall be included in the ACCOMPANYING DOCUMENTS informing the RESPONSIBLE ORGANIZATION and the OPERATOR of the possible need for PROTECTIVE DEVICES and PROTECTIVE CLOTHING as appropriate for the workload involved.

*Compliance is checked by inspection of the EQUIPMENT, the RISK MANAGEMENT FILE and the ACCOMPANYING DOCUMENTS.*

### 13.4 \* Designated SIGNIFICANT ZONES OF OCCUPANCY

X-RAY EQUIPMENT specified for any RADIOLOGICAL examination that requires the OPERATOR or staff to be close to the PATIENT during NORMAL USE, or otherwise not in compliance with 13.2 or 13.3, shall have at least one SIGNIFICANT ZONE OF OCCUPANCY for the use of the OPERATOR and staff, designated in the instructions for use.

Any SIGNIFICANT ZONE OF OCCUPANCY designated in accordance with this subclause shall have a floor area of dimensions not less than 60 cm x 60 cm and a height of not less than 200 cm.

The designation of each SIGNIFICANT ZONE OF OCCUPANCY in accordance with this subclause shall include the following information in the instructions for use:

- the types of RADIOLOGICAL examinations for which the SIGNIFICANT ZONE OF OCCUPANCY is designated to be used;
- the location of the SIGNIFICANT ZONE OF OCCUPANCY, shown on a representative outline drawing, indicating the positions of its boundaries in relation to clearly recognizable features of the X-RAY EQUIPMENT;
- at least one profile of STRAY RADIATION in the SIGNIFICANT ZONE OF OCCUPANCY with respect to the height above the floor, under stated representative operating conditions. At least one profile shall contain the point with the highest dose level. An example of such a presentation is given in Figure 1;
- if removable PROTECTIVE DEVICES are specified for use with the X-RAY EQUIPMENT, information about the effectiveness of PROTECTIVE DEVICES together with appropriate information about their application and use;
- details of the test arrangement used;
- instructions for obtaining the LOADING FACTORS used for testing, if these are controlled only by an AUTOMATIC CONTROL SYSTEM.

*Compliance is checked by inspection of the EQUIPMENT and by examination of the instructions for use.*



### 13.5 Handgrips and control devices

X-RAY EQUIPMENT shall be so designed and constructed such that handgrips and control devices handled during LOADING are not positioned in the X-RAY BEAM.

*Compliance is checked by inspection of the EQUIPMENT.*

### 13.6 \* Test for STRAY RADIATION

*Use the following test procedure to determine levels of STRAY RADIATION:*

- a) *use a water equivalent PHANTOM of size and dimensions equivalent to the irradiated part of the typical PATIENT for each INTENDED USE;*
- b) *tests shall be done with representative orientations of the X-RAY BEAM for the INTENDED USE;*
- c) *the measurements shall be made at least at the maximum X-RAY TUBE VOLTAGE specified for the INTENDED USE;*
- d) *use a minimum selectable TOTAL FILTRATION compatible with the X-RAY TUBE VOLTAGE specified for the INTENDED USE;*
- e) *use either RADIOSCOPY at a convenient value of X-RAY TUBE CURRENT, or RADIOGRAPHY at a convenient value of CURRENT TIME PRODUCT.*

NOTE If LOADING FACTORS can be adjusted only by an AUTOMATIC CONTROL SYSTEM, follow the procedure described in the ACCOMPANYING DOCUMENTS to obtain the required LOADING FACTORS. Otherwise, use the manual means of adjustment provided.

- f) *perform measurements of AIR KERMA or AIR KERMA RATE at the designated positions;*
- g) *MEASURED VALUES of AIR KERMA shall be averaged over a volume of 500 cm<sup>3</sup> having no principal linear dimension greater than 20 cm;*
- h) *make any necessary adjustments to the values to take into account the permitted averaging over areas, as described in g);*
- i) *normalize the MEASURED VALUES at the LOADING FACTORS actually used, to values of AIR KERMA in one hour corresponding to the reference conditions of LOADING stated in the ACCOMPANYING DOCUMENTS, in accordance with 12.3.*

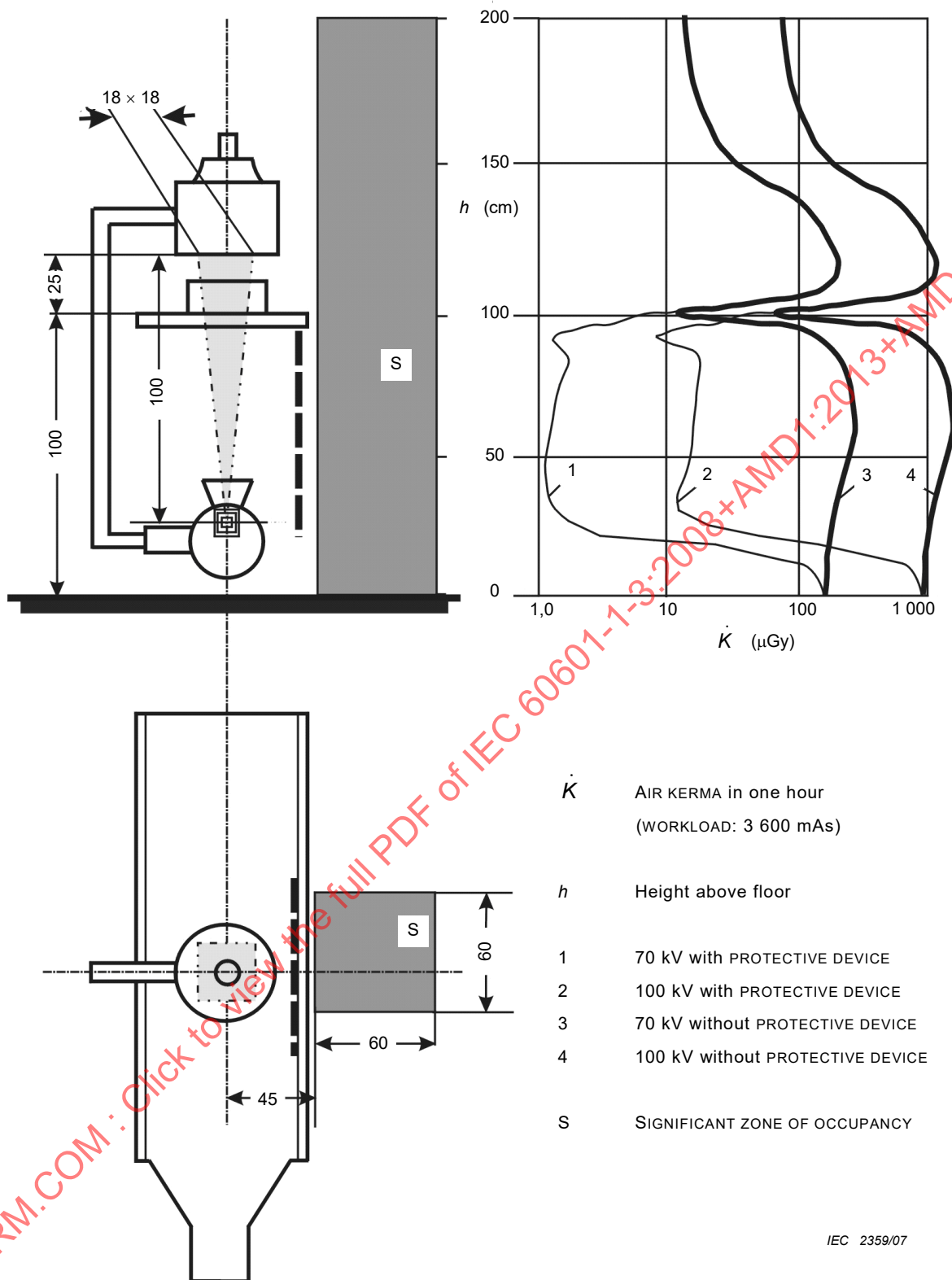


Figure 1 – Example of presentation of data on STRAY RADIATION

## **Annex A** (informative)

### **General guidance and rationale**

#### **A.1 General guidance**

This annex provides a concise rationale for the important requirements of this collateral standard. Its purpose is to promote effective application of the collateral standard by explaining the reasons for the requirements and provide additional guidance where appropriate.

#### **A.2 Rationale for particular clauses and subclauses**

The following are rationales for specific clauses and subclauses in this collateral standard, with clause and subclause numbers parallel to those in the body of the document.

##### **Subclause 5.2.4.5 – Deterministic effects (ICRP60)[17]**

Deterministic effects may occur when the RADIATION dose to a certain organ or tissue exceeds a specific threshold. Particular organs or tissues of such concern in diagnostic RADIOLOGY are the skin and the eye lens. The numerical value of the threshold dose is in the range between 1 Gy and 3 Gy.

##### **Subclause 8.5.2 – FOCAL SPOT TO IMAGE RECEPTOR DISTANCE**

The permissible non-reproducibility of the FOCAL SPOT TO IMAGE RECEPTOR DISTANCE and its permissible non-linearity over an indicated range are constrained by the need to comply with other requirements for the dimensions of the X-RAY FIELD and its correspondence with the IMAGE RECEPTION AREA, since these are tested, when relevant, at indicated settings of the FOCAL SPOT TO IMAGE RECEPTOR DISTANCE.

##### **Clause 12 – Protection against LEAKAGE RADIATION**

This collateral Standard uses the quantity AIR KERMA for all purposes. For some situations, e.g. LEAKAGE RADIATION and STRAY RADIATION in SIGNIFICANT ZONES OF OCCUPANCY, the AMBIENT DOSE EQUIVALENT would seem to be more appropriate since this quantity is more directly related with the effective dose. However, it was decided here to use only the quantity AIR KERMA in view of the potential for confusion arising from reference to two different quantities, and because the measurement of the AMBIENT DOSE EQUIVALENT is more complicated. It can also be noted that the numerical values of these two quantities differ only by factors of between 1 and 1,7 for the relevant x-ray energies, and estimates of the AMBIENT DOSE EQUIVALENT can be made with sufficient accuracy based on the IRRADIATION conditions and measured AIR KERMA values.

##### **Subclause 13.4 – Designated SIGNIFICANT ZONES OF OCCUPANCY**

In RADIOLOGICAL examinations needing the OPERATOR or staff to be close to the PATIENT during LOADING, a significant contribution to the total STRAY RADIATION encountered by these persons is often made by SCATTERED RADIATION from the PATIENT and other objects in the X-RAY BEAM. The scope for providing effective protection against this is limited by the need to avoid restricting unduly the conduct of the diagnostic procedures concerned.

Knowledge of the levels of STRAY RADIATION in SIGNIFICANT ZONES OF OCCUPANCY is highly relevant in determining safe working practices. In this clause, recommendations are made for the determination and presentation of information about the levels of STRAY RADIATION.

**Subclause 13.6 – Test for STRAY RADIATION**

The basic method of test shall be to make measurements of AIR KERMA RATE in the SIGNIFICANT ZONE OF OCCUPANCY, using an appropriate PHANTOM to represent the presence of a PATIENT. These measurements are made at appropriate values of X-RAY TUBE VOLTAGE for which the information is to be stated and at convenient values of X-RAY TUBE CURRENT, or CURRENT TIME PRODUCT, within the ratings of the X-RAY SOURCE ASSEMBLY concerned. The measurements are then normalized to a CURRENT TIME PRODUCT representing a WORKLOAD in a period of one hour, and stated in terms of the AIR KERMA in that period, as a function of the height above the floor. Guidance is given concerning suitable test arrangements and parameters.

IECNORM.COM : Click to view the full PDF of IEC 60601-1-3:2008+AMD1:2013+AMD2:2021 CSV

**Annex B**  
(normative)

**Values of the series R'10 and R'20, ISO 497**

The values, which shall be used according to 6.3, in the manual selection of LOADING FACTORS having an essentially proportional relation to the amount of RADIATION received, shall be chosen as decimal multiples and submultiples from the following rounded values of the series R'10 and R'20.

**Table B.1 – Values of the series R'10 and R'20, ISO 497**

Calculated values	R'10	R'20
1,0000	1,00	1,00
1,1220	–	1,10
1,2589	1,25	1,25
1,4125	–	1,40
1,5849	1,60	1,60
1,7783	–	1,80
1,9953	2,00	2,00
2,2387	–	2,20
2,5119	2,50	2,50
2,8184	–	2,80
3,1623	3,20	3,20
3,5481	–	3,60
3,9811	4,00	4,00
4,4668	–	4,50
5,0119	5,00	5,00
5,6234	–	5,60
6,3096	6,30	6,30
7,0795	–	7,10
7,9433	8,00	8,00
8,9125	–	9,00

IECNORM.COM : Click to view the full PDF of IEC 60601-1-3:2008+AMD1:2013+AMD2:2021 CSV

## Annex C (informative)

### Mapping between this Edition 2 of IEC 60601-1-3 and Edition 1

<b>Edition 2</b>	<b>Edition 1</b>	<b>Title</b>
Foreword	2.204	Degrees of requirements and miscellaneous terms
1	1	Scope, object and related standards
1.1	1.201	Scope
1.2	1.202	Object
1.3	1.203	Relationship to other standards
2	n.a.	Normative references
3	2	Terms and definitions
Part of 3	2.205	RADIATION QUANTITIES and units
4	n.a.	General requirements
4.1	4.201.1	Statement of compliance
4.2	2.203	Composition of reference materials
5	6	ME EQUIPMENT identification, marking and documents
5.1	6.1	Marking on the outside of ME EQUIPMENT or ME EQUIPMENT parts
5.1.1	6.1.202	General
5.1.2	6.1.201	Marking requirements in subclauses
5.2	6.8	ACCOMPANYING DOCUMENTS
5.2.1	6.8.201	References in subclauses
5.2.2	n.a.	Dosimetric calibration
5.2.3	6.8.202	General requirements for the reference of subassemblies and ACCESSORIES
5.2.4	n.a.	Instructions for use
6	n.a.	RADIATION management
6.1	NOTE	General
6.2	n.a.	Initiation and termination of the IRRADIATION
6.3	n.a.	RADIATION dose and RADIATION QUALITY
6.4	n.a.	Indication of operational states
6.5	n.a.	AUTOMATIC CONTROL SYSTEM
6.6	n.a.	SCATTERED RADIATION reduction
6.7	n.a.	Imaging performance
7	29.201	RADIATION QUALITY
7.1	29.201.2 and 29.201.5	HALF-VALUE LAYERS and TOTAL FILTRATION in X-RAY EQUIPMENT
7.2	n.a.	Waveform of the X-RAY TUBE VOLTAGE
7.3	29.201.6	Indication of FILTER properties
7.4	29.201.7	Test for FILTRATION by irremovable materials
7.5	29.201.8	Test for ADDED FILTERS and materials
7.6	29.201.9	Test for HALF-VALUE LAYER
8	29.202	Limitation of the extent of the X-RAY BEAM and relationship between X-RAY FIELD and IMAGE RECEPTION AREA
8.1	Note	General
8.2	29.202.1	Enclosure of X-RAY TUBES
8.3	29.202.2	Limiting DIAPHRAGM in X-RAY TUBE ASSEMBLIES

IECNORM.COM : Click to view the full PDF of IEC 60601-1-3:2008+AMD1:2013+AMD2:2021 CSV

<b>Edition 2</b>	<b>Edition 1</b>	<b>Title</b>
8.4	29.202.3	Confinement of EXTRA-FOCAL RADIATION
8.5	29.203	Relationship between X-RAY FIELD and IMAGE RECEPTION AREA
8.5.1	Note	General
8.5.2	29.203.2	FOCAL SPOT TO IMAGE RECEPTOR DISTANCE
8.5.3	29.203.4	Correspondence between X-RAY FIELD and IMAGE RECEPTION AREA
8.5.4	n.a.	Positioning of the PATIENT and restriction of the irradiated area
9	29.205	FOCAL SPOT TO SKIN DISTANCE
9.1	Note	General
9.2	29.205.3	Information in the ACCOMPANYING DOCUMENTS
10	29.206	ATTENUATION of the X-RAY BEAM between the PATIENT and the X-RAY IMAGE RECEPTOR
10.1	Note	General
10.2	29.206.2	Information in the ACCOMPANYING DOCUMENTS
11	29.207	Protection against RESIDUAL RADIATION
12	29.204	Protection against LEAKAGE RADIATION
12.1	Note	General
12.2	29.204.1	Mounting of X-RAY SOURCE ASSEMBLIES and X-RAY IMAGING ARRANGEMENTS
12.3	29.204.2	Statement of reference LOADING conditions
12.4	29.204.3	LEAKAGE RADIATION in the LOADING STATE
12.5	29.204.5	LEAKAGE RADIATION when not in the LOADING STATE
13	29.208	Protection against STRAY RADIATION
13.1	Note	General
13.2	29.208.2	Control from a PROTECTED AREA
13.3	29.208.1	Protection by distance
13.4	29.208.3	Designated SIGNIFICANT ZONES OF OCCUPANCY
13.5	29.208.5	Handgrips and control devices
13.6	29.208.6	Test for STRAY RADIATION
n.a.	Annex CCC	Normative references to ACCOMPANYING DOCUMENTS, instructions for use and ASSEMBLING INSTRUCTIONS
Annex A	n.a.	General guidance and rationale
Annex B	n.a.	Values of the series R'10 and R'20, ISO 497
Annex C	n.a.	Mapping between this Edition 2 of IEC 60601-1-3 and the Edition1
	n.a.	Bibliography

## Bibliography

IEC under <http://www.iec.ch/>

ISO under <http://www.iso.ch/iso/en/ISOOnline.frontpage>

- [1] IEC 60601-2-7:1998, *Medical electrical equipment – Part 2-7: Particular requirements for the safety of high-voltage generators of diagnostic X-ray generators*
- [2] IEC 60601-2-28:1993, *Medical electrical equipment – Part 2: Particular requirements for the safety of X-ray source assemblies and X-ray tube assemblies for medical diagnosis*
- [3] IEC 60601-2-29:1999, *Medical electrical equipment – Part 2-29: Particular requirements for the safety of radiotherapy simulators*
- [4] IEC 60601-2-32:1994, *Medical electrical equipment – Part 2: Particular requirements for the safety of associated equipment of X-ray equipment*
- [5] IEC 60601-2-43:2000, *Medical electrical equipment – Part 2-43: Particular requirements for the safety of X-ray equipment for interventional procedures*
- [6] IEC 60601-2-44:2001, *Medical electrical equipment – Part 2-44: Particular requirements for the safety of X-ray equipment for computed tomography<sup>2)</sup>*  
Amendment 1 (2002)
- [7] IEC 60601-2-45:2001, *Medical electrical equipment – Part 2-45: Particular requirements for the safety of mammographic X-ray equipment and mammographic stereotactic devices*
- [8] IEC 60580:2000, *Medical electrical equipment – Dose area product meters*
- [9] IEC 60627:2001, *Diagnostic X-ray imaging equipment – Characteristics of general purpose and mammographic anti-scatter grids*
- [10] IEC 60878, *Graphical symbols for electrical equipment in medical practice*
- [11] IEC 61262 (all parts), *Medical electrical equipment – Characteristics of electro-optical X-ray image intensifiers*
- [12] IEC 62220 (all parts), *Medical electrical equipment – Characteristics of digital X-ray imaging devices*
- [13] IEC 62220-1:2003, *Medical electrical equipment – Characteristics of digital X-ray imaging devices – Determination of the detective quantum efficiency*
- [14] ISO 7004:2002, *Photography – Industrial radiographic films – Determination of ISO speed, ISO average gradient and ISO gradients G2 and G4 when exposed to X- and gamma-radiation*
- [15] ICRP Publication 33: *Protection against ionizing radiation from external sources used in medicine (Annals of the ICRP Vol. 9 No. 1, 1982). Published by Pergamon Press*
- [16] ICRP Publication 34: *Protection of the patient in diagnostic radiology (Annals of the ICRP Vol. 9 No. 213, 1982). Published by Pergamon Press*

---

<sup>2)</sup> A consolidated edition 2.1 exists, including IEC 60601-2-44:2001 and its Amendment 1 (2002).



- [17] ICRP Publication 60:1990 *Recommendations of the International Commission on Radiological Protection (Annals of the ICRP Vol. 21 No. 1-3, 1991)*. Published by Pergamon Press
- [18] ICRP Publication 73: *Radiological protection and safety in medicine (Annals of the ICRP Vol. 26 No. 2, 1996)*. Published by Pergamon Press
- [19] ICRU Report 51: *Quantities and Units in Radiation Protection Dosimetry (1993)*
- [20] ICRU Report 60: *Fundamental Quantities and Units for Ionizing Radiation (1998)*
- [21] ICRP Publication 85: *Avoidance of Radiation Injuries from Medical Interventional Procedures (Annals of the ICRP Vol 30 No.2, 2000)* Published by Pergamon Press
- [22] ICRP Publication 87: *Managing Patient Dose in Computed Tomography*. (Annals of the ICRP Vol 30 No.4, 2000) Published by Pergamon Press
- [23] ICRP Publication 93: *Managing Dose in Digital Radiology*. (Annals of the ICRP Vol 34 No.1, 2004) Published by Elsevier
- [24] ICRU Report 74: *Patient dosimetry for x-rays used in medical imaging (2005)*, Published by Oxford University Press, Oxford

### Index of defined terms used in this collateral standard

Defined term	Defined in
ABSORBED DOSE	IEC 60788:2004, rm-13-08
ABSORPTION	IEC 60788:2004, rm-12-05
ACCESSIBLE SURFACE	3.1
ACCOMPANYING DOCUMENTS	IEC 60601-1:2005, 3.4
ACTUAL FOCAL SPOT	IEC 60788:2004, rm-20-12
ADDED FILTER	3.2
ADDITIONAL FILTRATION	3.3
AIR KERMA	3.4
AIR KERMA RATE	3.5
ACCESSORY	IEC 60601-1:2005, 3.3
AMBIENT DOSE EQUIVALENT	3.6
ANODE	IEC 60788:2004, rm-22-06
ANODE INPUT POWER	IEC 60788:2004, rm-36-22
ASSOCIATED EQUIPMENT	IEC 60788:2004, rm-30-01
ATTENUATION	3.7
ATTENUATION EQUIVALENT	3.8
AUTOMATIC CONTROL SYSTEM	3.9
AUTOMATIC EXPOSURE CONTROL	3.10
BASIC SAFETY	IEC 60601-1:2005, 3.10
BEAM LIMITING DEVICE	3.11
BEAM LIMITING SYSTEM	3.12
CATHODE	IEC 60788:2004, rm-22-05
CONTINUOUS ANODE INPUT POWER	3.13
CONTROL PANEL	3.14
CONTROLLED AREA	3.15
CORRECTION FACTOR	IEC 60788:2004, rm-73-14
CURRENT TIME PRODUCT	3.16
DIAPHRAGM	3.17
DIGITAL X-RAY IMAGING DEVICE	IEC 62220-1:2003, 3.5
DOSE AREA PRODUCT	IEC 60788:2004, rm-13-54
DOSE EQUIVALENT	3.18
EDGE FILTER	3.19
EFFECTIVE FOCAL SPOT	IEC 60788:2004, rm-20-13
EFFECTIVE IMAGE RECEPTION AREA	3.20
ELECTRON	IEC 60788:2004, rm-11-18
ENTRANCE SURFACE	3.21
EQUIPMENT	IEC 60601-1:2005, 3.63
ESSENTIAL PERFORMANCE	IEC 60601-1:2005+A1:2012, 3.27
EXTRA-FOCAL RADIATION	3.22
FILTER	3.23
FILTRATION	3.24

IECNORM.COM - Click to view the full PDF of IEC 60601-1-3:2008+AMD1:2013+AMD2:2021 CSV

**Defined term**

FOCAL SPOT  
FOCAL SPOT TO IMAGE RECEPTOR DISTANCE  
FOCAL SPOT TO SKIN DISTANCE  
HALF-VALUE LAYER  
HIGH-VOLTAGE GENERATOR  
IMAGE DISPLAY DEVICE  
IMAGE RECEPTION AREA  
INDICATED VALUE  
INTENDED USE  
  
IONIZING RADIATION  
IRRADIATION  
IRRADIATION SWITCH  
IRRADIATION TIME  
LEAKAGE RADIATION  
LOADING  
LOADING FACTOR  
LOADING STATE  
LOADING TIME  
MANUFACTURER  
  
MEASURED VALUE  
MEDICAL DIAGNOSTIC RADIOLOGY  
MEDICAL ELECTRICAL EQUIPMENT (ME EQUIPMENT)  
MEDICAL ELECTRICAL SYSTEM (ME SYSTEM)  
MEDICAL RADIOLOGY  
MODE OF OPERATION  
NARROW BEAM  
NARROW BEAM CONDITION  
NOMINAL X-RAY TUBE VOLTAGE  
NORMAL USE  
  
OPERATOR  
PATIENT  
PATIENT ENTRANCE REFERENCE POINT  
PERCENTAGE RIPPLE  
PERMANENT FILTRATION  
PHANTOM  
POINT SOURCE  
PRIMARY PROTECTIVE SHIELDING  
PROTECTED AREA  
PROTECTIVE BARRIER  
PROTECTIVE CLOTHING  
PROTECTIVE DEVICE  
PROTECTIVE SHIELDING

**Defined in**

IEC 60788:2004, rm-20-13s  
3.25  
3.26  
3.27  
IEC 60788:2004, rm-21-01  
IEC 60788:2004, rm-80-08  
3.28  
IEC 60788:2004, rm-73-10  
IEC 60601 1:2005+A1:2012  
+A2:2020, 3.44  
3.29  
3.30  
3.31  
3.32  
3.33  
3.34  
3.35  
3.36  
3.37  
IEC 60601-1:2005+A1:2012  
+A2:2020, 3.55  
3.38  
IEC 60788:2004, rm-40-04  
IEC 60601-1:2005, 3.63  
IEC 60601-1:2005, 3.64  
3.39  
3.40  
IEC 60788:2004, rm-37-22  
3.41  
3.42  
IEC 60601-1:2005+A1:2012,  
3.71  
IEC 60601-1:2005, 3.73  
IEC 60601-1:2005+A1:2012,  
3.76  
3.43  
3.44  
3.45  
3.46  
IEC 60788:2004, rm-34-36  
3.47  
3.48  
3.49  
3.50  
3.50  
3.51

IECNORM.COM : Click to view the full PDF of IEC 60601-1-3:2008+AMD1:2013+AMD2:2021 CSV

**Defined term**

**Defined in**

QUALITY EQUIVALENT FILTRATION	3.52
RADIATION	3.53
RADIATION APERTURE	3.54
RADIATION BEAM	3.55
RADIATION CONDITION	3.56
RADIATION DETECTOR	3.57
RADITAIION ENERGY	IEC 60788:2004, rm-13-29
RADIATION FIELD	3.58
RADIATION PROTECTION	3.59
RADIATION QUALITY	3.60
RADIATION QUANTITY	IEC 60788:2004, rm-13-01
RADIATION SOURCE	3.61
RADIATION SOURCE ASSEMBLY	3.62
RADIOGRAPHIC RATING	3.63
RADIOGRAPHY	3.64
RADIOLOGICAL	3.65
RADIOLOGICAL IMAGE	3.66
RADIOLOGICAL INSTALLATION	3.67
RADIOLOGY	3.68
RADIOSCOPY	3.69
READY STATE	IEC 60788:2004, rm-84-05
REFERENCE AIR KERMA	3.70
REFERENCE AIR KERMA RATE	3.71
REFERENCE AXIS	IEC 60788:2004, rm-37-03
REFERENCE DIRECTION	IEC 60788:2004
REFERENCE PLANE	IEC 60788:2004, rm-37-04
RESIDUAL RADIATION	3.72
RESPONSIBLE ORGANIZATION	IEC 60601-1:2005, 3.101
RISK	IEC 60601-1:2005+A1:2012, 3.102
RISK MANAGEMENT	IEC 60601-1:2005+A1:2012 +A2:2020, 3.107
RISK MANAGEMENT FILE	IEC 60601-1:2005+A1:2012, 3.108
SCATTERED RADIATION	3.73
SIGNIFICANT ZONE OF OCCUPANCY	3.74
SINGLE FAULT CONDITION	IEC 60601-1:2005+A1:2012, 3.116
STRAY RADIATION	3.75
STRUCTURAL SHIELDING	3.76
TARGET	IEC 60788:2004, rm-20-08
TOTAL FILTRATION	3.77
TRANSFER	IEC 60788:2004, rm-84-02
TRUE VALUE	IEC 60788:2004, rm-73-07
TYPE TEST	IEC 60601-1:2005, 3.135
WORKLOAD	IEC 60788:2004, rm-61-03

IECNORM.COM - Click to view the full PDF of IEC 60601-1-3:2008+AMD1:2013+AMD2:2021 CSV

**Defined term**

X-RADIATION  
X-RAY BEAM  
X-RAY BEAM AXIS  
X-RAY EQUIPMENT  
X-RAY FIELD  
X-RAY GENERATOR  
X-RAY IMAGING ARRANGEMENT  
X-RAY IMAGE RECEPTOR  
X-RAY PATTERN  
X-RAY SOURCE ASSEMBLY  
X-RAY TUBE  
X-RAY TUBE ASSEMBLY  
X-RAY TUBE CURRENT  
X-RAY TUBE HOUSING  
X-RAY TUBE LOAD  
X-RAY TUBE VOLTAGE

**Defined in**

3.53  
3.55  
IEC 60788:2004, rm-37-06  
3.78  
3.58  
3.79  
3.80  
3.81  
3.82  
3.62  
3.83  
3.84  
3.85  
3.86  
3.87  
3.88

IECNORM.COM : Click to view the full PDF of IEC 60601-1-3:2008+AMD1:2013+AMD2:2021 CSV

## SOMMAIRE

AVANT-PROPOS.....	53
INTRODUCTION.....	56
INTRODUCTION à l'Amendement 1.....	57
INTRODUCTION à l'Amendement 2.....	57
1 Domaine d'application, objet et normes connexes .....	58
1.1 Domaine d'application .....	58
1.2 Objet.....	58
1.3 Normes connexes.....	58
1.3.1 IEC 60601-1 .....	58
1.3.2 Normes particulières.....	59
2 Références normatives.....	59
3 Termes et définitions .....	59
4 Exigences générales .....	69
4.1 Déclaration de conformité.....	69
4.2 Composition des matériaux de référence.....	70
5 Identification, marquage et documentation des APPAREILS EM.....	70
5.1 Marquage sur l'extérieur des APPAREILS EM ou des parties d'APPAREIL EM.....	70
5.1.1 Généralités.....	70
5.1.2 Exigences de marquage dans les paragraphes.....	70
5.2 DOCUMENTS D'ACCOMPAGNEMENT .....	70
5.2.1 Références dans les paragraphes .....	70
5.2.2 Étalonnage dosimétrique.....	71
5.2.3 Exigences générales pour la référence des sous-ensembles et des ACCESSOIRES.....	71
5.2.4 Instructions d'utilisation .....	72
6 Gestion des RAYONNEMENTS.....	74
6.1 Généralités.....	74
6.2 Déclenchement et arrêt de l'IRRADIATION.....	74
6.2.1 Déclenchement et arrêt normal de l'IRRADIATION .....	74
6.2.2 Mesures de sécurité contre la défaillance de l'arrêt normal de l'IRRADIATION.....	74
6.3 Dose de RAYONNEMENT et QUALITE DE RAYONNEMENT.....	74
6.3.1 Réglage de la dose de RAYONNEMENT et de la QUALITE DE RAYONNEMENT .....	74
6.3.2 Reproductibilité des caractéristiques de sortie du RAYONNEMENT.....	75
6.4 Indication des états de fonctionnement.....	75
6.4.1 Indication de l'ENSEMBLE RADIOGENE A RAYONNEMENT X choisi.....	75
6.4.2 Indication de l'ETAT EN CHARGE.....	75
6.4.3 Indication des PARAMETRES DE CHARGE et des MODES DE FONCTIONNEMENT.....	76
6.4.4 Indication des modes automatiques.....	76
6.4.5 Indications dosimétriques .....	76
6.5 SYSTEME DE COMMANDE AUTOMATIQUE .....	76
6.6 Réduction du RAYONNEMENT DIFFUSE.....	77
6.7 Performances d'imagerie.....	77
6.7.1 Généralités.....	77

IECNORM.COM | Click to view the full PDF of IEC 60601-1-3:2008+AMD1:2013+AMD2:2021 CSV

6.7.2	Performance du système .....	77
6.7.3	Valeur nominale du foyer.....	77
6.7.4	DETECTEUR DE RAYONNEMENT ou RECEPTEUR D'IMAGE RADIOLOGIQUE.....	77
7	QUALITE DE RAYONNEMENT .....	78
7.1	COUCHES DE DEMI-TRANSMISSION et FILTRATION TOTALE dans les APPAREILS A RAYONNEMENT X.....	78
7.2	Forme d'onde de la <b>HAUTE TENSION RADIOGENE</b> .....	78
7.3	Indication des propriétés du FILTRE.....	79
7.4	Essai de FILTRATION par des matériaux inamovibles.....	79
7.5	Essai concernant les FILTRES ADDITIONNELS et les matériaux.....	79
7.6	Essai de la COUCHE DE DEMI-TRANSMISSION.....	80
8	Limitation de l'étendue du FAISCEAU DE RAYONNEMENT X et relation entre FAISCEAU DE RAYONNEMENT X et SURFACE RECEPTRICE DE L'IMAGE.....	80
8.1	Généralités.....	80
8.2	Enveloppe des TUBES RADIOGENES .....	80
8.3	DIAPHRAGME de limitation dans les GAINES EQUIPEES.....	80
8.4	Confinement du RAYONNEMENT EXTRA-FOCAL .....	80
8.5	Relation entre CHAMP DE RAYONNEMENT X et SURFACE RECEPTRICE DE L'IMAGE .....	81
8.5.1	Généralités.....	81
8.5.2	* DISTANCE FOYER-RECEPTEUR D'IMAGE .....	81
8.5.3	Correspondance entre CHAMP DE RAYONNEMENT X et SURFACE RECEPTRICE DE L'IMAGE EFFICACE .....	81
8.5.4	Positionnement du PATIENT et restriction de la zone irradiée .....	81
9	DISTANCE FOYER-PEAU .....	82
9.1	Généralités.....	82
9.2	Informations dans les DOCUMENTS D'ACCOMPAGNEMENT .....	82
10	ATTENUATION du FAISCEAU DE RAYONNEMENT X entre le PATIENT et le RECEPTEUR D'IMAGE RADIOLOGIQUE.....	82
10.1	Généralités.....	82
10.2	Informations dans les DOCUMENTS D'ACCOMPAGNEMENT .....	82
11	Protection contre le RAYONNEMENT RESIDUEL.....	82
12	* Protection contre le RAYONNEMENT DE FUITE .....	83
12.1	Généralités.....	83
12.2	Montage des ENSEMBLES RADIOGENES A RAYONNEMENT X et DISPOSITIONS DE FORMATION DE L'IMAGE PAR RAYONNEMENT .....	83
12.3	Indication des conditions D'APPLICATION DE CHARGE de référence .....	84
12.4	RAYONNEMENT DE FUITE pendant l'ETAT EN CHARGE .....	84
12.5	RAYONNEMENT DE FUITE hors de l'ETAT EN CHARGE.....	85
13	Protection contre les RAYONNEMENTS PARASITES .....	85
13.1	Généralités.....	85
13.2	Commande de l'APPAREIL A RAYONNEMENT X à partir d'une ZONE PROTEGEE .....	85
13.3	Protection par la distance.....	86
13.4	* ZONES SIGNIFICATIVES D'OCCUPATION désignées .....	86
13.5	Poignées et dispositifs de commande.....	87
13.6	* Essai concernant le RAYONNEMENT PARASITE.....	87
	Annexe A (informative) Guide général et justifications .....	89
	Annexe B (informative) Valeurs des séries R'10 et R'20, ISO 497 .....	91
	Tableau B.1 – Valeurs des séries R'10 et R'20, ISO 497.....	91

Annexe C (informative) Correspondance entre la présente Edition 2 de l'IEC 60601-1-3  
et l'Édition 1 ..... 92

Bibliographie..... 94

Index des termes définis dans la présente norme collatérale ..... 96

Figure 1 – Exemple de présentation des données concernant le RAYONNEMENT  
PARASITE ..... 88

Tableau 1 – Paragraphes contenant des exigences de marquage ..... 70

Tableau 2 – Paragraphes exigeant des indications devant figurer dans les DOCUMENTS  
D'ACCOMPAGNEMENT ..... 71

Tableau 3 – COUCHES DE DEMI-TRANSMISSION dans les APPAREILS A RAYONNEMENT X ..... 78

IECNORM.COM : Click to view the full PDF of IEC 60601-1-3:2008+AMD1:2013+AMD2:2021 CSV



## COMMISSION ÉLECTROTECHNIQUE INTERNATIONALE

### APPAREILS ÉLECTROMÉDICAUX –

#### Partie 1-3: Exigences générales pour la sécurité de base et les performances essentielles –

#### Norme collatérale: Radioprotection dans les appareils à rayonnement X de diagnostic

#### AVANT-PROPOS

- 1) La Commission Electrotechnique Internationale (IEC) est une organisation mondiale de normalisation composée de l'ensemble des comités électrotechniques nationaux (Comités nationaux de l'IEC). L'IEC a pour objet de favoriser la coopération internationale pour toutes les questions de normalisation dans les domaines de l'électricité et de l'électronique. A cet effet, l'IEC – entre autres activités – publie des Normes internationales, des Spécifications techniques, des Rapports techniques, des Spécifications accessibles au public (PAS) et des Guides (ci-après dénommés "Publication(s) de l'IEC"). Leur élaboration est confiée à des comités d'études, aux travaux desquels tout Comité national intéressé par le sujet traité peut participer. Les organisations internationales, gouvernementales et non gouvernementales, en liaison avec l'IEC, participent également aux travaux. L'IEC collabore étroitement avec l'Organisation Internationale de Normalisation (ISO), selon des conditions fixées par accord entre les deux organisations.
- 2) Les décisions ou accords officiels de l'IEC concernant les questions techniques représentent, dans la mesure du possible, un accord international sur les sujets étudiés, étant donné que les Comités nationaux de l'IEC intéressés sont représentés dans chaque comité d'études.
- 3) Les Publications de l'IEC se présentent sous la forme de recommandations internationales et sont agréées comme telles par les Comités nationaux de l'IEC. Tous les efforts raisonnables sont entrepris afin que l'IEC s'assure de l'exactitude du contenu technique de ses publications; l'IEC ne peut pas être tenue responsable de l'éventuelle mauvaise utilisation ou interprétation qui en est faite par un quelconque utilisateur final.
- 4) Dans le but d'encourager l'uniformité internationale, les Comités nationaux de l'IEC s'engagent, dans toute la mesure possible, à appliquer de façon transparente les Publications de l'IEC dans leurs publications nationales et régionales. Toutes divergences entre toutes Publications de l'IEC et toutes publications nationales ou régionales correspondantes doivent être indiquées en termes clairs dans ces dernières.
- 5) L'IEC elle-même ne fournit aucune attestation de conformité. Des organismes de certification indépendants fournissent des services d'évaluation de conformité et, dans certains secteurs, accèdent aux marques de conformité de l'IEC. L'IEC n'est responsable d'aucun des services effectués par les organismes de certification indépendants.
- 6) Tous les utilisateurs doivent s'assurer qu'ils sont en possession de la dernière édition de cette publication.
- 7) Aucune responsabilité ne doit être imputée à l'IEC, à ses administrateurs, employés, auxiliaires ou mandataires, y compris ses experts particuliers et les membres de ses comités d'études et des Comités nationaux de l'IEC, pour tout préjudice causé en cas de dommages corporels et matériels, ou de tout autre dommage de quelque nature que ce soit, directe ou indirecte, ou pour supporter les coûts (y compris les frais de justice) et les dépenses découlant de la publication ou de l'utilisation de cette Publication de l'IEC ou de toute autre Publication de l'IEC, ou au crédit qui lui est accordé.
- 8) L'attention est attirée sur les références normatives citées dans cette publication. L'utilisation de publications référencées est obligatoire pour une application correcte de la présente publication.
- 9) L'attention est attirée sur le fait que certains des éléments de la présente Publication de l'IEC peuvent faire l'objet de droits de brevet. L'IEC ne saurait être tenue pour responsable de ne pas avoir identifié de tels droits de brevets et de ne pas avoir signalé leur existence.

**Cette version consolidée de la Norme IEC officielle et de ses amendements a été préparée pour la commodité de l'utilisateur.**

**L'IEC 60601-1-3 édition 2.2 contient la deuxième édition (2008) [documents 62B/673/FDIS et 62B/683/RVD], son amendement 1 (2013) [documents 62B/895/CDV et 62B/907/RVC] et son amendement 2 (2021) [documents 62B/1176/CDV et 62B/1227/RVC].**

**Dans cette version Redline, une ligne verticale dans la marge indique où le contenu technique est modifié par les amendements 1 et 2. Les ajouts sont en vert, les suppressions sont en rouge, barrées. Une version Finale avec toutes les modifications acceptées est disponible dans cette publication.**

La Norme internationale IEC 60601-1-3 a été établie par le sous-comité 62B: Appareils d'imagerie de diagnostic, du comité d'études 62 de l'IEC: Equipements électriques dans la pratique médicale.

Cette édition constitue une norme collatérale de l'IEC 60601-1: *Appareils électromédicaux – Partie 1: Exigences générales pour la sécurité de base et les performances essentielles*, appelée norme générale dans la suite du texte.

La présente édition a été restructurée et alignée avec l'IEC 60601-1 (2005) et traite des exigences générales pour la RADIOPROTECTION qui s'appliquent à tous les APPAREILS A RAYONNEMENT X de diagnostic. Les exigences particulières pour des appareils spécifiques ont été enlevées et seront couvertes dans des normes particulières. Pour une description des modifications, voir la correspondance présentée à l'Annexe C.

Cette publication a été rédigée selon les Directives ISO/IEC, Partie 2.

Dans la série des publications 60601, les normes collatérales spécifient les exigences générales de sécurité applicables:

- à un sous-groupe d'APPAREILS ELECTROMEDICAUX (par exemple les appareils de radiologie);  
ou
- à une caractéristique particulière de tous les APPAREILS ELECTROMEDICAUX, qui n'est pas complètement traitée dans la norme générale (par exemple les systèmes d'alarme).

Dans la présente norme collatérale, les caractères d'imprimerie suivants sont utilisés:

- Exigences et définitions: caractères romains.
- *Modalités d'essais: caractères italiques*
- Les indications de nature informative apparaissant hors des tableaux, comme les notes, les exemples et les références. petits caractères. Le texte normatif à l'intérieur des tableaux est également en petits caractères.
- LES TERMES DEFINIS A L'ARTICLE 3 DE LA NORME GENERALE, DE LA PRESENTE NORME COLLATERALE OU COMME NOTES: PETITES MAJUSCULES.

Concernant la structure de la présente norme, le terme:

- "article" désigne l'une des treize sections numérotées dans la table des matières, avec toutes ses subdivisions (par exemple, l'article 7 inclut les paragraphes 7.1, 7.2, etc.);
- "paragraphe" désigne une subdivision numérotée d'un article (par exemple 7.1, 7.2 et 7.2.1 sont tous des paragraphes appartenant à l'article 7).

Dans la présente norme, les références à des articles sont précédées du mot "article" suivi du numéro de l'article concerné. Dans la présente norme collatérale, les références aux paragraphes utilisent uniquement le numéro du paragraphe concerné.

Dans la présente norme, la conjonction "ou" est utilisée avec la valeur d'un "ou inclusif", ainsi un énoncé est vrai si une combinaison des conditions quelle qu'elle soit est vraie.

Les formes verbales utilisées dans la présente norme sont conformes à l'usage donné à l'annexe H des Directives ISO/IEC, Partie 2. Pour les besoins de la présente norme:

- "devoir" mis au présent de l'indicatif signifie que la satisfaction à une exigence ou à un essai est obligatoire pour la conformité à la présente norme;
- "il convient/il est recommandé" signifie que la satisfaction à une exigence ou à un essai est recommandée mais n'est pas obligatoire pour la conformité à la présente norme;
- "pouvoir" mis au présent de l'indicatif est utilisé pour décrire un moyen admissible pour satisfaire à une exigence ou à un essai.

Les articles, les paragraphes et les définitions pour lesquels une justification est donnée dans l'Annexe informative A sont repérés par un astérisque (\*).

Une liste de toutes les parties de la série IEC 60601, présentées sous le titre général *Appareils électromédicaux*, peut être consultée sur le site web de l'IEC.

Le comité a décidé que le contenu de la publication de base et de ses amendements ne seront pas modifiés avant la date de maintenance indiquée sur le site web de l'IEC sous "http://webstore.iec.ch" dans les données relatives à la publication recherchée. A cette date, la publication sera

- reconduite;
- supprimée;
- remplacée par une édition révisée, ou
- amendée

**IMPORTANT – Le logo "colour inside" qui se trouve sur la page de couverture de cette publication indique qu'elle contient des couleurs qui sont considérées comme utiles à une bonne compréhension de son contenu. Les utilisateurs devraient, par conséquent, imprimer cette publication en utilisant une imprimante couleur.**

## INTRODUCTION

Les exigences de la présente norme collatérale concernent les mesures de protection que le FABRICANT doit prendre lors de la conception et de la construction des APPAREILS A RAYONNEMENT X de diagnostic et leurs sous-ensembles. Elles traitent du RAYONNEMENT X produit à la fois volontairement et accidentellement lorsque l'APPAREIL est utilisé conformément à son but médical. Des mesures complémentaires sont nécessaires pour réguler les processus de production eux-mêmes. Elles sont décrites dans les exigences générales pour la sécurité, IEC 60601-1 et, le cas échéant, dans les exigences particulières pour les APPAREILS concernés. La deuxième édition de cette norme collatérale est concentrée sur les exigences générales pour la RADIOPROTECTION. Le but de la révision a été de se limiter aux exigences qui s'appliquent à tous les APPAREILS A RAYONNEMENT X DE DIAGNOSTIC. Par conséquent, la plupart des articles ont été réduits par rapport à la première édition de la norme, en raison de l'exclusion des contenus spécifiques à la RADIOGRAPHIE de projection et à la RADIOSCOPIE. La mise en œuvre doit être prise en compte dans le processus de GESTION DES RISQUES ou en utilisant des normes particulières.

Les principes recommandés qui régissent l'utilisation de RAYONNEMENTS à des fins médicales, tels qu'ils sont établis dans la Publication 60 de la Commission internationale de protection radiologique (ICRP)[17]<sup>1)</sup>, Chapitre 4, ont été pris en compte. La mise en œuvre de ces principes est surtout déterminée par le contexte d'utilisation. Cela exige de l'UTILISATEUR qu'il analyse et établisse des mesures et des pratiques de travail dont certaines sont liées à la construction de l'APPAREIL. Les exigences de cette norme collatérale sont prévues pour être cohérentes avec les bonnes pratiques généralement admises pour l'administration des RAYONNEMENTS X à des fins médicales.

Dans certains cas, la formulation des exigences est volontairement conçue pour être compatible avec les lois et règlements locaux au moment de l'installation et de la mise en service. Plusieurs exigences contiennent des éléments d'informations techniques à inclure dans les DOCUMENTS D'ACCOMPAGNEMENT.

Il convient que les ORGANISMES RESPONSABLES d'APPAREILS A RAYONNEMENT X de diagnostic soient conscients du fait qu'une protection efficace contre les rayonnements ionisants exige la prise en compte de nombreux aspects en complément de la construction de l'APPAREIL. Parmi ceux-ci, on peut citer:

- la compatibilité des composants entre eux et l'installation correcte des APPAREILS;
- la radioprotection des locaux où sont installés les APPAREILS A RAYONNEMENT X;
- les mesures pour surveiller et maintenir la sécurité et l'efficacité des APPAREILS tout au long de leur existence, avec une attention particulière pour les composants qui peuvent se détériorer progressivement avec le temps et leur utilisation;
- la nécessité pour l'équipe médicale, dans les circonstances appropriées, de porter des VETEMENTS DE PROTECTION et d'utiliser des dispositifs adaptés pour protéger les PATIENTS;
- l'archivage des informations appropriées concernant l'utilisation des APPAREILS et les résultats des essais, avec une revue systématique et l'application d'une action corrective si nécessaire;
- la formation de l'équipe médicale aux principes de RADIOPROTECTION et à l'utilisation correcte des APPAREILS, y compris tous les DISPOSITIFS DE PROTECTION fournis.

Des conseils complémentaires concernant ces points peuvent être trouvés dans les publications de l'ICRP numéro 33[15], 34[16], 60[17], 73[18], 85[21], 87[22] et 93[23].

---

1) Les chiffres entre crochets renvoient à la Bibliographie.

Il est rappelé aux lecteurs de cette norme collatérale que, conformément à l'IEC 60601-1, Article 5, toutes les procédures d'essai décrites sont des ESSAIS DE TYPE, destinés à être réalisés dans un environnement d'essai spécialisé pour en déterminer la conformité. Les essais qui doivent être effectués par les FABRICANTS pour s'assurer de la conformité au cours de la fabrication ou de l'installation et les essais pour détecter la non-conformité après livraison ne sont pas inclus dans cette norme.

### INTRODUCTION à l'Amendement 1

L'objet du présent premier amendement à l'IEC 60601-1-3:2008 est d'introduire des modifications pour citer en référence le premier amendement (2012) à l'IEC 60601-1:2005.

### INTRODUCTION à l'Amendement 2

L'objet du présent deuxième amendement à l'IEC 60601-1-3:2008 est d'introduire des modifications pour citer en référence le deuxième amendement (2020) à l'IEC 60601-1:2005.

IECNORM.COM : Click to view the full PDF of IEC 60601-1-3:2008+AMD1:2013+AMD2:2021 CSV

## APPAREILS ÉLECTROMÉDICAUX –

### Partie 1-3: Exigences générales pour la sécurité de base et les performances essentielles –

#### Norme collatérale: Radioprotection dans les appareils à rayonnement X de diagnostic

## 1 Domaine d'application, objet et normes connexes

### 1.1 Domaine d'application

La présente norme internationale s'applique à la SECURITE DE BASE et aux PERFORMANCES ESSENTIELLES des APPAREILS et des SYSTEMES ELECTROMEDICAUX, désignés ci-après sous le terme APPAREILS et SYSTEMES EM.

La présente norme collatérale s'applique aux APPAREILS A RAYONNEMENT X et à leurs sous-ensembles, dont les IMAGES RADIOLOGIQUES d'un PATIENT humain sont utilisées à des fins de diagnostic, de planification ou de guide pour les procédures médicales.

### 1.2 Objet

La présente Norme collatérale est destinée à spécifier des exigences générales qui viennent compléter celles de la norme générale et à servir de base pour les normes Particulières.

L'objet de la présente norme collatérale est d'établir des exigences générales pour la protection contre les RAYONNEMENTS X dans les APPAREILS A RAYONNEMENT X, afin que l'IRRADIATION des PATIENTS humains, de l'OPERATEUR, des membres de l'équipe médicale et des autres personnes présentes puisse être maintenue à un niveau aussi bas que raisonnablement possible, sans compromettre le bénéfice de la procédure RADIOLOGIQUE. Des normes particulières peuvent spécifier des valeurs et/ou mesures qui leur sont appropriées par rapport aux exigences générales spécifiées dans la présente norme collatérale. La mise en œuvre des exigences générales ou, à la place, la référence à la norme particulière doit être justifiée dans le processus DE GESTION DES RISQUES.

La présente norme collatérale traite des aspects de RADIOPROTECTION liés aux RAYONNEMENTS X uniquement.

Les exigences pour la commande de l'énergie électrique utilisée pour produire le RAYONNEMENT X, qui est aussi un aspect important de la RADIOPROTECTION, figurent dans l'IEC 60601-1 et dans les normes particulières pour la sécurité et les PERFORMANCES ESSENTIELLES des APPAREILS concernés.

### 1.3 Normes connexes

#### 1.3.1 IEC 60601-1

Pour les APPAREILS et les SYSTEMES EM, la présente norme collatérale complète l'IEC 60601-1.

Lorsqu'il est fait référence à l'IEC 60601-1 ou à la présente norme collatérale, soit individuellement soit combinées, les conventions suivantes sont utilisées:

- "la norme générale" désigne l'IEC 60601-1:2005+A1:2012+A2:2020-seule;
- "la présente norme collatérale" désigne l'IEC 60601-1-3:2008+A1:2013+A2:2021-seule;

- "la présente norme" désigne la combinaison de la norme générale et de la présente norme collatérale.

### 1.3.2 Normes particulières

Une exigence donnée dans une norme particulière prévaut sur l'exigence correspondante contenue dans la présente norme collatérale.

## 2 Références normatives

Les documents ~~de référence~~ suivants sont cités en référence de manière normative, en intégralité ou en partie, dans le présent document et sont indispensables pour son application. Pour les références datées, seule l'édition citée s'applique. Pour les références non datées, la dernière édition du document de référence s'applique (y compris les éventuels amendements).

IEC 60336, *Appareils électromédicaux – Gaines équipées pour diagnostic médical – Caractéristiques des foyers*

IEC 60522:1999, *Détermination de la filtration permanente des gaines équipées*

IEC 60601-1:2005, *Appareils électromédicaux – Partie 1: Exigences générales pour la sécurité de base et les performances essentielles*  
Amendement 1:2012  
Amendement 2:2020

IEC 60788:2004, *Medical electrical equipment – Glossary of defined terms* (disponible en anglais seulement)

ISO 497, *Guide pour le choix des séries de nombres normaux et des séries comportant des valeurs plus arrondies de nombres normaux*

## 3 Termes et définitions

Pour les besoins du présent document, les termes et les définitions fournis dans l'IEC 60601-1:2005+A1:2012+A2:2020, l'IEC 60788:2004 et ceux qui suivent s'appliquent.

NOTE Un index des termes définis est donné à partir de la page 96.

### 3.1

#### **SURFACE ACCESSIBLE**

surface d'un APPAREIL ou d'une partie d'APPAREIL qu'une personne peut toucher facilement ou accidentellement sans l'aide d'un OUTIL

### 3.2

#### **FILTRE ADDITIONNEL**

FILTRE amovible ou inamovible placé dans le FAISCEAU DE RAYONNEMENT pour effectuer une FILTRATION ADDITIONNELLE partielle ou totale

### 3.3

#### **FILTRATION ADDITIONNELLE**

FILTRATION DE QUALITE EQUIVALENTE due à des FILTRES ADDITIONNELS et à d'autres matériaux amovibles placés dans le FAISCEAU DE RAYONNEMENT entre la SOURCE DE RAYONNEMENT et le PATIENT ou un plan spécifié

**3.4**  
**KERMA DANS L'AIR**  
***K***

quotient de  $dE_{tr}$  par  $dm$ , où  $dE_{tr}$  est la somme des énergies cinétiques initiales de toutes les particules chargées libérées par des particules non chargées dans une masse d'air  $dm$ , donc

$$K = \frac{dE_{tr}}{dm}$$

Unité: J kg<sup>-1</sup>

Le nom spécial de l'unité de KERMA DANS L'AIR est le gray (Gy) (ICRU 60) [20]

[IEC 60580:2000, définition 3.2, modifiée] [8]

**3.5**  
**DEBIT DE KERMA DANS L'AIR**

***K̇***  
quotient de  $dK$  par  $dt$ , où  $dK$  est l'augmentation du KERMA DANS L'AIR dans l'intervalle de temps  $dt$ , donc

$$\dot{K} = \frac{dK}{dt}$$

Unité: J kg<sup>-1</sup> s<sup>-1</sup>

Si on utilise le nom spécial de gray, l'unité de DEBIT de KERMA DANS L'AIR est alors le gray par seconde (Gy s<sup>-1</sup>) (ICRU 60) [20]

[IEC 60580:2000, définition 3.3] [8]

**3.6**  
**EQUIVALENT DE DOSE AMBIANT**  
***H\*(d)***

EQUIVALENT DE DOSE en un point du CHAMP DE RAYONNEMENT qui serait produit par le champ expansé et unidirectionnel correspondant, dans la sphère de la Commission internationale des unités et mesures de radiation (ICRU), à une profondeur  $d$ , sur le rayon opposé à la direction du champ unidirectionnel.

Unité: J kg<sup>-1</sup>

Le nom spécial de l'unité d'EQUIVALENT DE DOSE AMBIANT est le sievert (Sv) (ICRU 51) [19].

**3.7**  
**ATTENUATION**

réduction d'une grandeur liée au RAYONNEMENT lors du passage de ce RAYONNEMENT à travers la matière résultant de tous les types d'interaction avec cette matière

NOTE La grandeur liée au RAYONNEMENT peut être, par exemple, le débit de fluence de particules ou la densité d'énergie. L'ATTENUATION ne comprend pas la réduction géométrique de la grandeur liée au RAYONNEMENT due à la distance à la SOURCE DE RAYONNEMENT.

**3.8**  
**EQUIVALENT D'ATTENUATION**

***δ***  
épaisseur d'une couche d'un matériau de référence qui, si elle est substituée au matériau examiné dans un faisceau d'une QUALITE DE RAYONNEMENT spécifiée et dans des conditions géométriques spécifiées, donne le même degré d'ATTENUATION. L'EQUIVALENT D'ATTENUATION est exprimée en sous-multiples adaptés du mètre avec la référence



### 3.9

#### SYSTEME DE COMMANDE AUTOMATIQUE

dans un APPAREIL A RAYONNEMENT X, système dans lequel la commande ou la limitation de l'énergie électrique délivrée à une GAINÉ EQUIPEE dépend de la mesure d'une ou de plusieurs GRANDEURS LIEES AU RAYONNEMENT ou des grandeurs physiques correspondantes

### 3.10

#### COMMANDE AUTOMATIQUE D'EXPOSITION

dans un APPAREIL A RAYONNEMENT X, MODE DE FONCTIONNEMENT dans lequel un ou plusieurs PARAMETRES DE CHARGE sont commandés de manière automatique pour obtenir à un emplacement présélectionné une quantité de RAYONNEMENT désirée

### 3.11

#### LIMITEUR DE FAISCEAU

dispositif destiné à limiter le CHAMP DE RAYONNEMENT

### 3.12

#### SYSTEME DE LIMITATION DU FAISCEAU

ensemble et configuration géométrique contribuant à la limitation du FAISCEAU DE RAYONNEMENT

### 3.13

#### PUISSANCE ANODIQUE CONTINUE

puissance anodique la plus élevée spécifiée qui peut être appliquée à l'ANODE de manière continue

Unité: W

### 3.14

#### POSTE DE COMMANDE

partie d'un APPAREIL ayant pour but de commander la totalité ou une partie des fonctions de l'APPAREIL. Le POSTE DE COMMANDE peut comporter des dispositifs indiquant ou visualisant des paramètres de fonctionnement

### 3.15

#### ZONE CONTROLEE

zone définie faisant partie d'une zone sous surveillance, pour laquelle l'accès, l'occupation et les conditions de travail sont réglementés et contrôlés afin de protéger les personnes contre les RAYONNEMENTS IONISANTS

### 3.16

#### PRODUIT COURANT TEMPS

en RADIOLOGIE MEDICALE, quantité d'électricité, exprimée en milliampère-secondes, résultant de l'APPLICATION D'UNE CHARGE à un TUBE RADIOGENE, et donnée par le produit de la valeur moyenne du COURANT DANS LE TUBE RADIOGENE en milliampères par la durée de l'APPLICATION DE LA CHARGE en secondes

### 3.17

#### DIAPHRAGME

DISPOSITIF DE LIMITATION DU FAISCEAU comportant une ouverture fixe ou variable dans un seul plan

### 3.18

#### EQUIVALENT DE DOSE

##### *H*

le produit de *Q* et *D*, en un point du tissu, où *D* est la dose absorbée et *Q* est le facteur de qualité en ce point, donc

$$H = Q D$$

Unité: J.kg<sup>-1</sup>

Le nom spécial de l'unité d'EQUIVALENT DE DOSE est le sievert (Sv) (ICRU 51) [19]

### 3.19

#### FILTRE SELECTIF

FILTRE dont la caractéristique d'ABSORPTION en tant que fonction de l'ENERGIE DE RAYONNEMENT présente une discontinuité dans le domaine d'énergie des photons utile

### 3.20

#### SURFACE RECEPTRICE DE L'IMAGE EFFICACE

partie de la SURFACE RECEPTRICE DE L'IMAGE qui est configurée pour recevoir une IMAGE RADIOLOGIQUE POTENTIELLE qui peut être traitée pour être affichée ou stockée

NOTE 1 Conformément à cette convention, la SURFACE RECEPTRICE DE L'IMAGE EFFICACE d'un tube intensificateur d'image radiologique à champs multiples est considérée comme limitée par la sélection des modes de grossissement, pour exclure toute portion de l'écran d'entrée ne traitant pas électroniquement l'IMAGE RADIOLOGIQUE POTENTIELLE.

NOTE 2 Pour les APPAREILS A RAYONNEMENT X dont le balayage fait varier la position pour recevoir une IMAGE RADIOLOGIQUE POTENTIELLE au cours de l'exposition, la SURFACE RECEPTRICE DE L'IMAGE EFFICACE à un certain moment au cours du balayage est la surface du récepteur d'image qui reçoit et traite l'IMAGE RADIOLOGIQUE POTENTIELLE à ce moment exact.

### 3.21

#### SURFACE D'ENTREE

en RADIOLOGIE, surface plane ou non par laquelle le RAYONNEMENT pénètre dans un objet irradié

### 3.22

#### RAYONNEMENT EXTRA-FOCAL

dans un ENSEMBLE RADIOGENE A RAYONNEMENT X, RAYONNEMENT X émis par la SOURCE DE RAYONNEMENT autre que celui émis par le FOYER ELECTRONIQUE

### 3.23

#### FILTRE

dans un APPAREIL RADIOLOGIQUE, matériau ou dispositif destiné à effectuer une FILTRATION du FAISCEAU DE RAYONNEMENT

### 3.24

#### FILTRATION

modification des caractéristiques d'un RAYONNEMENT IONISANT traversant la matière

NOTE La FILTRATION peut consister en:

- une ABSORPTION préférentielle de certaines composantes du RAYONNEMENT X polyénergétique accompagnant son ATTENUATION;
- une modification de la distribution de l'intensité du RAYONNEMENT sur la section transversale d'un FAISCEAU DE RAYONNEMENT.

### 3.25

#### DISTANCE FOYER-RECEPTEUR D'IMAGE

distance comprise entre le PLAN DE REFERENCE d'un FOYER OPTIQUE et le point où l'AXE DE REFERENCE rencontre le plan du récepteur d'image

### 3.26

#### DISTANCE FOYER-PEAU

en RADIODIAGNOSTIC, distance comprise entre le PLAN DE REFERENCE d'un FOYER OPTIQUE et un plan normal à la DIRECTION DE REFERENCE contenant le point de la surface du PATIENT la plus proche de la SOURCE DE RAYONNEMENT

### 3.27

#### COUCHE DE DEMI-TRANSMISSION

épaisseur d'un matériau spécifié, qui transmet dans les CONDITIONS DU FAISCEAU ETROIT un RAYONNEMENT X avec un spectre particulier en réduisant le DEBIT DE KERMA DANS L'AIR, le DEBIT D'EXPOSITION ou le débit de DOSE ABSORBEE à la moitié de la valeur que l'on mesurerait en l'absence du matériau considéré. La COUCHE DE DEMI-TRANSMISSION (CDT) est exprimée en sous-multiples appropriés du mètre suivis de l'indication du matériau.

### 3.28

#### SURFACE RECEPTRICE DE L'IMAGE

en RADIOLOGIE, surface sur laquelle est reçue l'IMAGE RADIOLOGIQUE POTENTIELLE

### 3.29

#### RAYONNEMENT IONISANT

RAYONNEMENT composé de particules directement ou indirectement ionisantes ou d'un mélange des deux. Par convention, les rayonnements ultraviolets sont exclus.

### 3.30

#### IRRADIATION

exposition d'un être vivant ou d'une matière à un RAYONNEMENT. En RADIOLOGIE, exposition d'un être vivant ou d'une matière à un RAYONNEMENT IONISANT

Exemple: IRRADIATION X

### 3.31

#### COMMANDE D'IRRADIATION

dans un APPAREIL RADIOLOGIQUE, commande déclenchant et/ou arrêtant l'IRRADIATION

### 3.32

#### TEMPS D'IRRADIATION

durée d'une IRRADIATION déterminée suivant des méthodes spécifiques, habituellement temps pendant lequel un débit d'une GRANDEUR LIEE AU RAYONNEMENT dépasse un niveau spécifié

### 3.33

#### RAYONNEMENT DE FUITE

RAYONNEMENT IONISANT ayant traversé la BARRIERE DE PROTECTION RADIOLOGIQUE de la SOURCE DE RAYONNEMENT, ainsi que pour certains GROUPE RADIOGENES, le RAYONNEMENT ayant traversé la FENETRE avant et après l'APPLICATION DE LA CHARGE (par exemple dans le cas des TUBES RADIOGENES à grille)

### 3.34

#### APPLICATION D'UNE CHARGE

dans un GROUPE RADIOGENE, fait de fournir de l'énergie électrique à l'ANODE du TUBE RADIOGENE

### 3.35

#### PARAMETRE DE CHARGE

paramètre ayant une influence, de par sa valeur, sur la CHARGE DU TUBE RADIOGENE, par exemple COURANT DANS LE TUBE RADIOGENE, TEMPS DE CHARGE, PUISSANCE ANODIQUE CONTINUE, HAUTE TENSION RADIOGENE et TAUX D'OSCILLATION de celle-ci

### 3.36

#### EN CHARGE

pour un GROUPE RADIOGENE, état succédant à l'état PRET, depuis le début de la fonction prévue jusqu'à la fin de l'APPLICATION DE LA CHARGE au TUBE RADIOGENE

### 3.37

#### TEMPS DE CHARGE

temps, défini suivant une méthode spécifique, pendant lequel la PUISSANCE ANODIQUE est appliquée au TUBE RADIOGENE

### 3.38

#### VALEUR MESUREE

estimation de la VALEUR VRAIE d'une grandeur, déduite de la VALEUR INDIQUEE par un instrument après application des FACTEURS DE CORRECTION

### 3.39

#### RADIOLOGIE MEDICALE

branche de la RADIOLOGIE appliquée à la médecine humaine et vétérinaire, ainsi qu'à l'art dentaire et à la chiropraxie

### 3.40

#### MODE DE FONCTIONNEMENT

pour les APPAREILS A RAYONNEMENT X, il s'agit de l'état technique défini par une configuration de plusieurs PARAMETRES DE CHARGE prédéterminés et par d'autres réglages pour la RADIOSCOPIE ou la RADIOGRAPHIE, pouvant être sélectionnés de manière simultanée par action sur une commande unique

NOTE 1 La sélection d'un mode particulier ne définit par nécessairement les valeurs de tous les paramètres affectant son utilisation.

NOTE 2 Les valeurs définies par la sélection d'un mode particulier ne sont pas nécessairement invariables au cours de son utilisation.

### 3.41

#### CONDITION DE FAISCEAU ETROIT

disposition adoptée pour la mesure de la GRANDEUR LIEE AU RAYONNEMENT dans un FAISCEAU ETROIT DE RAYONNEMENT IONISANT

### 3.42

#### HAUTE TENSION NOMINALE

HAUTE TENSION RADIOGENE la plus élevée admise pour des conditions de fonctionnement spécifiques

### 3.43

#### POINT DE REFERENCE D'ENTREE PATIENT

point destiné à représenter l'intersection de l'AXE DU FAISCEAU DE RAYONNEMENT X avec la SURFACE D'ENTREE du PATIENT

NOTE Les dimensions qui doivent être utilisées pour les différents APPAREILS A RAYONNEMENT X sont données dans les normes particulières.

### 3.44

#### TAUX D'OSCILLATION

pour un GENERATEUR RADIOLOGIQUE, rapport, exprimé en pourcentage, de la différence entre les valeurs maximale et minimale de la forme d'onde d'une tension redressée pendant une période de l'alimentation à la valeur la plus élevée

### 3.45

#### FILTRATION PERMANENTE

la FILTRATION DE QUALITE EQUIVALENTE effectuée dans une GAINÉ EQUIPEE par des matériaux fixés de manière permanente interceptant le FAISCEAU DE RAYONNEMENT X, qui ne sont destinés à être enlevés pour aucune application et ne sont pas pourvus de moyens pour l'enlèvement en UTILISATION NORMALE

### 3.46

#### FANTOME

dispositif destiné à simuler des parties du PATIENT à des fins d'essais

### 3.47

#### BARRIERE DE PROTECTION CONTRE LE FAISCEAU

BARRIERE DE PROTECTION destinée à atténuer le RAYONNEMENT RESIDUEL

### 3.48

#### ZONE PROTEGEE

zone définie à l'intérieur d'une zone sous surveillance ou d'une ZONE CONTROLEE qui est protégée par une BARRIERE STRUCTURALE ou par la distance de telle façon que le niveau de rayonnement soit inférieur à celui prescrit pour la zone totale dont elle fait partie

### 3.49

#### ECRAN DE PROTECTION RADIOLOGIQUE

BARRIERE DE PROTECTION RADIOLOGIQUE sous forme d'un matériau absorbant prévu pour la protection RADIOLOGIQUE

### 3.50

#### DISPOSITIF DE PROTECTION RADIOLOGIQUE

en RADIOLOGIE, dispositif prévu pour la protection RADIOLOGIQUE

Exemples:

- VETEMENT DE PROTECTION RADIOLOGIQUE;
- TABLIER DE PROTECTION RADIOLOGIQUE;
- JUPE DE PROTECTION RADIOLOGIQUE;
- GANT DE PROTECTION RADIOLOGIQUE;
- LUNETTES DE PROTECTION RADIOLOGIQUE;
- ECRAN DE PROTECTION RADIOLOGIQUE mobile.

### 3.51

#### BARRIERE DE PROTECTION RADIOLOGIQUE

en RADIOLOGIE, matériau limitant l'extension du FAISCEAU DE RAYONNEMENT ou atténuant les RAYONNEMENTS PARASITES

NOTE La BARRIERE DE PROTECTION RADIOLOGIQUE peut comprendre des matériaux destinés à la protection RADIOLOGIQUE ou des dispositifs ou des matériaux prévus à d'autres fins, mais contribuant à atténuer le RAYONNEMENT IONISANT.

### 3.52

#### FILTRATION DE QUALITE EQUIVALENTE

Indication quantitative de la FILTRATION effectuée par une ou plusieurs couche(s) de matériau(x) de référence qui, substitué(s) au matériau considéré dans un faisceau de QUALITE DE RAYONNEMENT spécifiée et en CONDITION DE FAISCEAU ETROIT, donne(nt) la même QUALITE DE RAYONNEMENT. La FILTRATION DE QUALITE EQUIVALENTE est exprimée en sous-multiples appropriés du mètre suivis de l'indication du (des) matériau(x) de référence.

### 3.53

#### RAYONNEMENT

propagation d'énergie émise dans l'espace ou dans un milieu matériel sous forme d'ondes ou sous forme d'énergie cinétique de particules

NOTE Sans qualificatif, le terme RAYONNEMENT a généralement trait à

- des rayonnements électromagnétiques selon la fréquence ou l'origine tels que: rayonnements de radiocommunication, rayonnements infrarouges, rayonnements visibles (lumière), rayonnements ultraviolets, RAYONNEMENTS X, rayonnements gamma;
- des rayonnements corpusculaires selon les particules ou l'origine tels que: les rayonnements alpha, les rayonnements bêta, les rayonnements électroniques, les rayonnements neutroniques.

### 3.54

#### FENETRE

ouverture dans la DISPOSITION MATERIELLE DE RADIOPROTECTION d'une SOURCE DE RAYONNEMENT ou dans un DISPOSITIF DE LIMITATION DU FAISCEAU, qui est destinée à laisser passer le FAISCEAU DE RAYONNEMENT

### 3.55

#### FAISCEAU DE RAYONNEMENT

en RADIOLOGIE, région de l'espace limitée à un angle solide et contenant un flux de RAYONNEMENT IONISANT provenant d'une SOURCE DE RAYONNEMENT qui est considérée comme une SOURCE PONCTUELLE. Le RAYONNEMENT DE FUITE et le RAYONNEMENT DIFFUSE ne sont pas considérés comme constituant un FAISCEAU DE RAYONNEMENT.

Exemple: FAISCEAU DE RAYONNEMENT X;

### 3.56

#### CONDITION DE RAYONNEMENT

description des CHAMPS DE RAYONNEMENT par un ensemble de paramètres électriques et géométriques comme la HAUTE TENSION RADIOGENE, la FILTRATION TOTALE et les configurations géométriques

NOTE Le terme CONDITION DE RAYONNEMENT fait référence à une description des CHAMPS DE RAYONNEMENT et non pas à un montage particulier pour l'essai des APPAREILS.

### 3.57

#### DETECTEUR DE RAYONNEMENT

APPAREIL, partie d'appareil ou substance qui, en présence d'un RAYONNEMENT, fournit, directement ou indirectement, un signal ou une autre indication utilisable pour mesurer une ou plusieurs grandeurs liées au RAYONNEMENT incident

### 3.58

#### CHAMP DE RAYONNEMENT

dans l'intersection d'un FAISCEAU DE RAYONNEMENT et d'une surface, lieu des points où l'intensité de RAYONNEMENT dépasse un niveau spécifique ou spécifié

Exemple: CHAMP DE RAYONNEMENT X

### 3.59

#### RADIOPROTECTION

limitation à un degré acceptable:

- des risques dus aux RAYONNEMENTS;
- des dommages causés aux matériels par les RAYONNEMENTS.

### 3.60

#### QUALITE DE RAYONNEMENT

caractéristique d'un RAYONNEMENT IONISANT déterminée par la distribution spectrale d'une GRANDEUR LIEE AU RAYONNEMENT par rapport à l'ENERGIE DE RAYONNEMENT

NOTE Pour différentes fins concernant les RAYONNEMENTS X, des approximations pratiques de la QUALITE DU RAYONNEMENT sont exprimées en termes de variables telles:

- a) à haute tension avec son TAUX D'OSCILLATION et la FILTRATION TOTALE;
- b) la première COUCHE DE DEMI-TRANSMISSION pour une haute tension spécifiée avec le TAUX D'OSCILLATION;
- c) première COUCHE DE DEMI-TRANSMISSION et FILTRATION TOTALE;

- d) première COUCHE DE DEMI-TRANSMISSION et quotient de la première COUCHE DE DEMI-TRANSMISSION par la deuxième COUCHE DE DEMI-TRANSMISSION;
- e) énergie équivalente.

### 3.61

#### SOURCE DE RAYONNEMENT

partie d'APPAREIL susceptible d'émettre un RAYONNEMENT IONISANT

### 3.62

#### ENSEMBLE RADIOGENE

ensemble de composants comprenant:

- la SOURCE DE RAYONNEMENT,
- les moyens assurant la protection contre les RAYONNEMENTS IONISANTS et, le cas échéant, contre les chocs électriques,
- le SYSTEME DE LIMITATION DU FAISCEAU

Exemples: ENSEMBLE RADIOGENE A RAYONNEMENT X

### 3.63

#### ABAUQUE RADIOGRAPHIQUE

pour le fonctionnement d'un TUBE RADIOGENE, combinaison spécifiée des conditions et PARAMETRES DE CHARGE, pour laquelle le TUBE RADIOGENE atteint ses limites spécifiées de charge thermique

### 3.64

#### RADIOGRAPHIE

technique d'obtention, d'enregistrement et éventuellement de traitement direct ou après TRANSFERT, d'informations contenues dans une IMAGE RADIOLOGIQUE POTENTIELLE au niveau d'une SURFACE RECEPTRICE DE L'IMAGE destinées à être analysées pendant un temps indépendant du TEMPS D'IRRADIATION

### 3.65

#### RADIOLOGIQUE

qui a trait aux RAYONNEMENTS IONISANTS, à leur production et à leurs applications scientifiques, médicales et techniques

### 3.66

#### IMAGE RADIOLOGIQUE

information obtenue par l'utilisation de RAYONNEMENT IONISANT et présentée sous forme d'image appropriée pour le diagnostic médical

### 3.67

#### INSTALLATION RADIOLOGIQUE

APPAREIL RADIOLOGIQUE installé avec tous les moyens nécessaires à l'utilisation prévue

Exemple: INSTALLATION A RAYONNEMENT X

### 3.68

#### RADIOLOGIE

science et application des RAYONNEMENTS IONISANTS

### 3.69

#### RADIOSCOPIE

technique d'obtention, continue ou périodique d'une séquence d'IMAGES RADIOLOGIQUES POTENTIELLES et de leur présentation directe ou après TRANSFERT et traitement optionnel, de manière simultanée et continue sous forme d'images visibles, destinées à guider en temps réel les actions en cours

### 3.70

#### **KERMA DANS L'AIR DE REFERENCE**

KERMA DANS L'AIR libre dans le FAISCEAU DE RAYONNEMENT X principal mesuré dans des conditions spécifiées et exprimé au POINT DE REFERENCE D'ENTREE PATIENT

### 3.71

#### **DEBIT DE KERMA DANS L'AIR DE REFERENCE**

DEBIT DE KERMA DANS L'AIR libre dans le FAISCEAU DE RAYONNEMENT X principal mesuré dans des conditions spécifiées et exprimé au POINT DE REFERENCE D'ENTREE PATIENT

### 3.72

#### **RAYONNEMENT RESIDUEL**

en RADIOLOGIE MEDICALE, partie du FAISCEAU DE RAYONNEMENT qui subsiste après avoir traversé le plan de la SURFACE RECEPTRICE DE L'IMAGE et tout éventuel dispositif de mesurage du RAYONNEMENT

### 3.73

#### **RAYONNEMENT DIFFUSE**

RAYONNEMENT IONISANT émis lors de l'interaction d'un RAYONNEMENT IONISANT avec de la matière, l'interaction étant accompagnée d'une diminution de l'ENERGIE DE RAYONNEMENT et/ou d'un changement de direction du RAYONNEMENT

### 3.74

#### **ZONE SIGNIFICATIVE D'OCCUPATION**

pour un APPAREIL A RAYONNEMENT X, zone, autre qu'une ZONE PROTEGEE, ayant des limites spécifiées à l'intérieur d'une zone sous surveillance ou d'une ZONE CONTROLEE, qui présente un intérêt particulier du fait de la nécessité présumée de son occupation au cours d'une IRRADIATION

### 3.75

#### **RAYONNEMENT PARASITE**

tout RAYONNEMENT IONISANT, à l'exception du FAISCEAU DE RAYONNEMENT spécifié, mais y compris le RAYONNEMENT RESIDUEL

### 3.76

#### **BARRIERE STRUCTURALE DE PROTECTION RADIOLOGIQUE**

BARRIERE DE PROTECTION RADIOLOGIQUE faisant partie de la construction d'une INSTALLATION RADIOLOGIQUE

### 3.77

#### **FILTRATION TOTALE**

ensemble des FILTRATIONS PERMANENTES et ADDITIONNELLES

### 3.78

#### **APPAREIL A RAYONNEMENT X**

APPAREIL comportant un GROUPE RADIOGENE, les APPAREILS ASSOCIES et les ACCESSOIRES

### 3.79

#### **GROUPE RADIOGENE**

ensemble de tous les composants nécessaires à la production et à la commande de RAYONNEMENTS X, comprenant au moins le GENERATEUR RADIOLOGIQUE relié à un ENSEMBLE RADIOGENE A RAYONNEMENT X

### 3.80

#### **DISPOSITION DE FORMATION DE L'IMAGE PAR RAYONNEMENT X**

dans les APPAREILS A RAYONNEMENT X, disposition de la SOURCE DE RAYONNEMENT et du RECEPTEUR D'IMAGE RADIOLOGIQUE pour une technique RADIOLOGIQUE spécifiée



### 3.81

#### RECEPTEUR D'IMAGE RADIOLOGIQUE

dispositif destiné à transformer l'IMAGE RADIOLOGIQUE POTENTIELLE en une autre forme, à partir de laquelle une image visible est obtenue directement ou indirectement

NOTE Des exemples de récepteurs d'image radiologiques sont les écrans renforçateurs, les intensificateurs d'image radiologiques, les dispositifs d'imagerie numérique à rayonnement X et les détecteurs de rayonnement des tomodensitomètres.

### 3.82

#### IMAGE RADIOLOGIQUE POTENTIELLE

information contenue dans un FAISCEAU DE RAYONNEMENT X dont la distribution de l'intensité a été modulée par l'objet traversé

### 3.83

#### TUBE RADIOGENE

tube à vide, destiné à la production d'un RAYONNEMENT X par bombardement d'une CIBLE, habituellement portée par une ANODE, par des ELECTRONS émis par une CATHODE et accélérés par un champ électrique

Exemples:

- TUBE RADIOGENE à ANODE tournante;
- TUBE RADIOGENE à double foyer

### 3.84

#### GAINE EQUIPEE

ensemble d'une GAINE avec un TUBE RADIOGENE incorporé

### 3.85

#### COURANT DANS LE TUBE RADIOGENE

courant électrique du faisceau d'ELECTRONS rencontrant la CIBLE d'un TUBE RADIOGENE. Habituellement, le COURANT DANS LE TUBE RADIOGENE est exprimée par sa valeur moyenne en milliampères (mA)

### 3.86

#### GAINE

enveloppe comportant une FENETRE et destinée à recevoir un TUBE RADIOGENE en assurant la protection contre les chocs électriques et les RAYONNEMENTS X. Elle peut éventuellement contenir d'autres composants

### 3.87

#### CHARGE DU TUBE RADIOGENE

énergie électrique appliquée à un TUBE RADIOGENE, exprimée par une combinaison des valeurs des PARAMETRES DE CHARGE

### 3.88

#### HAUTE TENSION RADIOGENE

différence de potentiel appliquée à un TUBE RADIOGENE entre son ANODE et sa CATHODE. Habituellement, la HAUTE TENSION RADIOGENE est exprimée par sa valeur de crête en kilovolts (kV)

## 4 Exigences générales

### 4.1 Déclaration de conformité

Toute déclaration de conformité avec les exigences de la présente norme collatérale doit être faite de la manière suivante:

xxxx avec protection contre le rayonnement selon l'IEC 60601-1-3:2008,

où xxxx représente l'objet (par exemple, "APPAREIL A RAYONNEMENT X") pour lequel la conformité est à indiquer.

#### 4.2 Composition des matériaux de référence

Dans la présente norme collatérale, les valeurs de l'EQUIVALENT D'ATTENUATION, de la COUCHE DE DEMI-TRANSMISSION et de la FILTRATION DE QUALITE EQUIVALENTE doivent être exprimées comme les épaisseurs d'aluminium d'une pureté de 99,9 % ou plus.

### 5 Identification, marquage et documentation des APPAREILS EM

#### 5.1 Marquage sur l'extérieur des APPAREILS EM ou des parties d'APPAREIL EM

Les exigences suivantes s'appliquent en complément de celles de l'Article 7 de la norme générale.

##### 5.1.1 Généralités

Tous les sous-ensembles, composants et ACCESSOIRES des APPAREILS A RAYONNEMENT X qui peuvent être retirés en UTILISATION NORMALE et qui sont concernés par la conformité avec la présente norme collatérale, doivent être marqués pour être sûr,

- qu'ils peuvent être facilement identifiés et retrouvés dans les DOCUMENTS D'ACCOMPAGNEMENT;
- que les dispositifs interchangeable peuvent être distingués individuellement par l'OPERATEUR en UTILISATION NORMALE et en vue de leur remplacement.

Tous les marquages doivent être fixés de manière permanente et clairement lisibles comme cela est défini à l'Article 7 de l'IEC 60601-1.

##### 5.1.2 Exigences de marquage dans les paragraphes

Dans la présente norme collatérale, des exigences particulières concernant les marquages et leur contenu sont données dans différents paragraphes comme indiqué au Tableau 1.

**Tableau 1 – Paragraphes contenant des exigences de marquage**

Titre	Paragraphes
Généralités	5.1.1
Indication des propriétés du FILTRE	7.3

#### 5.2 DOCUMENTS D'ACCOMPAGNEMENT

Les exigences suivantes s'appliquent en complément de celles de la norme générale.

##### 5.2.1 Références dans les paragraphes

Les paragraphes de la présente norme collatérale qui contiennent des exigences concernant les indications dans les DOCUMENTS D'ACCOMPAGNEMENT (comprenant les instructions d'utilisation et la description technique) sont donnés dans le Tableau 2.

**Tableau 2 – Paragraphes exigeant des indications devant figurer dans les DOCUMENTS D'ACCOMPAGNEMENT**

Titre	Paragraphes
Étalonnage dosimétrique	5.2.2
Exigences générales pour la référence des sous-ensembles et des ACCESSOIRES	5.2.3
Exigences générales concernant les informations de dose de RAYONNEMENT	5.2.4.1
Informations quantitatives	5.2.4.2
Indication de dose	5.2.4.3
Protocoles cliniques	5.2.4.4
Effets déterministes	5.2.4.5
Risque pour les OPERATEURS	5.2.4.6
Reproductibilité des caractéristiques de sortie du RAYONNEMENT	6.3.2
Indication des PARAMETRES DE CHARGE et des MODES DE FONCTIONNEMENT	6.4.3
Indications dosimétriques	6.4.5
SYSTEME DE COMMANDE AUTOMATIQUE	6.5
Réduction du RAYONNEMENT DIFFUSE	6.6
Performance du système	6.7.2
DETECTEUR DE RAYONNEMENT ou RECEPTEUR D'IMAGE RADIOLOGIQUE	6.7.4
Indication des propriétés du FILTRE	7.3
DISTANCE FOYER-RECEPTEUR D'IMAGE	8.5.2
DISTANCE FOYER-PEAU – Informations dans les DOCUMENTS D'ACCOMPAGNEMENT	9.2
ATTENUATION du FAISCEAU DE RAYONNEMENT X - Informations dans les DOCUMENTS D'ACCOMPAGNEMENT	10.2
Indication des conditions D'APPLICATION DE CHARGE de référence	12.3
Protection contre les RAYONNEMENTS PARASITES - Généralités	13.1
Commande à partir d'une ZONE PROTEGEE	13.2
Protection par la distance	13.3
ZONES SIGNIFICATIVES D'OCCUPATION désignées	13.4

### 5.2.2 Étalonnage dosimétrique

Lorsque les indications dosimétriques sont fournies sur l'APPAREIL, les DOCUMENTS D'ACCOMPAGNEMENT doivent comprendre des informations et des instructions sur la manière de vérifier et de conserver l'exactitude des indications dosimétriques spécifiées par le FABRICANT.

*La conformité est vérifiée par l'examen des DOCUMENTS D'ACCOMPAGNEMENT.*

### 5.2.3 Exigences générales pour la référence des sous-ensembles et des ACCESSOIRES

Les DOCUMENTS D'ACCOMPAGNEMENT doivent clairement identifier les dispositifs auxquels ils font référence et doivent inclure:

- la reproduction de toutes les informations exigées dans la présente norme collatérale qui doivent être marquées sur ces dispositifs;

- pour les sous-ensembles qui font partie des dispositifs, les informations suivantes concernant leur emplacement et le contenu des marquages exigés pour eux:
  - a) pour les marquages accessibles dans l'ensemble complet, l'emplacement de ces marquages et les instructions permettant de les inspecter;
  - b) pour les marquages inaccessibles dans l'ensemble complet, soit
    - 1) la reproduction de toutes les informations exigées dans la présente norme collatérale qui doivent être marquées sur ces sous-ensembles soit;
    - 2) une liste des sous-ensembles concernés, avec des références à leurs propres DOCUMENTS D'ACCOMPAGNEMENT.
- Pour les dispositifs, tels que des composants et des sous-ensembles, spécifiés pour être approvisionnés indépendamment des ensembles principaux avec lesquels ils sont destinés à former un tout, des descriptions techniques avec les informations nécessaires pour maintenir leur conformité avec la présente norme collatérale dans les ensembles principaux concernés.

*La conformité est vérifiée par l'examen des DOCUMENTS D'ACCOMPAGNEMENT.*

## 5.2.4 Instructions d'utilisation

Les exigences suivantes s'appliquent en complément de celles de la norme générale.

### 5.2.4.1 Exigences générales concernant les informations de dose de RAYONNEMENT

Les instructions d'utilisation doivent contenir toutes les informations spécifiques à l'APPAREIL permettant à l'utilisateur de minimiser la possibilité d'exposition des PATIENTS aux niveaux de dose de RAYONNEMENT pour lesquels des effets déterministes peuvent apparaître au cours de l'UTILISATION NORMALE de L'APPAREIL, pour optimiser la dose de RAYONNEMENT délivrée aux PATIENTS et pour minimiser l'IRRADIATION des OPERATEURS.

### 5.2.4.2 Informations quantitatives

Pour chaque UTILISATION PREVUE de l'APPAREIL, les informations suivantes doivent être fournies:

- la ou les grandeur(s) du RAYONNEMENT utilisée(s) pour décrire la dose de RAYONNEMENT délivrée au PATIENT. Il faut que cette grandeur soit utile pour évaluer le RISQUE DE RAYONNEMENT pour le PATIENT.

NOTE De telles grandeurs sont, par exemple, la dose de SURFACE D'ENTREE (ou débit de dose), le PRODUIT DOSE-SURFACE ou le  $CTDI_{vol}$ .

- la description d'un objet d'essai spécifié représentatif d'un PATIENT moyen;
- la procédure spécifiée permettant la mesure de la ou des GRANDEUR(S) LIEE(S) AU RAYONNEMENT pour l'objet d'essai spécifié;
- la valeur de la ou des GRANDEUR(S) LIEE(S) OU RAYONNEMENT spécifiée(s) lorsque l'objet d'essai spécifié est utilisé pour simuler un PATIENT lors d'une procédure typique pour l'UTILISATION PREVUE;
- l'influence des principaux réglages ou des principales sélections à la disposition de l'OPERATEUR sur la valeur de la GRANDEUR LIEE AU RAYONNEMENT spécifiée.

NOTE On peut donner comme exemples de tels réglages ou de telles sélections les MODES DE FONCTIONNEMENT, les PARAMETRES DE CHARGE, la sélection de FOYER et la DISTANCE FOYER RECEPTEUR D'IMAGE. Il convient de ne pas confondre UTILISATION PREVUE et UTILISATION NORMALE. Si les deux expressions intègrent le concept de l'utilisation telle qu'elle est prévue par le FABRICANT, L'UTILISATION PREVUE se concentre sur le but médical. L'UTILISATION NORMALE, elle, ne se limite pas au but médical mais englobe aussi la maintenance, l'entretien, le transport etc.

*La conformité est vérifiée par l'examen des instructions d'utilisation.*

#### 5.2.4.3 Indication de dose

Si elle est applicable, la méthode utilisée pour donner une indication de la dose de rayonnement de l'APPAREIL en UTILISATION NORMALE doit être décrite directement ou par référence à une référence publiée.

*La conformité est vérifiée par l'examen des instructions d'utilisation.*

#### 5.2.4.4 Protocoles cliniques

Lorsque des protocoles cliniques sont proposés par le FABRICANT et sont pré-chargés dans l'APPAREIL, les instructions d'utilisation doivent indiquer s'ils constituent des recommandations à appliquer directement pour permettre un fonctionnement optimisé ou s'ils ne sont que des exemples/des points de départ qui doivent être remplacés par des protocoles plus spécifiques établis par l'utilisateur.

*La conformité est vérifiée par l'examen des instructions d'utilisation.*

#### 5.2.4.5 \* Effets déterministes (ICRP60)[17]

S'il est possible qu'en UTILISATION NORMALE le PATIENT soit exposé à des niveaux de dose de RAYONNEMENT pour lesquels des effets déterministes peuvent apparaître, les instructions d'utilisation doivent en tenir compte. Dans ce cas, les MODES DE FONCTIONNEMENT particuliers, les configurations et les circonstances dans lesquelles des effets déterministes peuvent apparaître doivent être listés et les informations suivantes doivent être fournies:

- a) Les instructions doivent attirer l'attention sur le besoin de gérer des doses élevées de RAYONNEMENT, et, si c'est applicable, sur la disponibilité des réglages qui peuvent être choisis et qui peuvent avoir un effet significatif sur la QUALITE DE RAYONNEMENT, la dose de RAYONNEMENT délivrée, le KERMA DANS L'AIR ou le DEBIT DE KERMA DANS L'AIR et sur la qualité d'image.
- b) Le nombre d'EXPOSITIONS ou la durée de D'APPLICATION DE CHARGE nécessaire pour atteindre les niveaux auxquels des effets déterministes sont possibles sur le PATIENT moyen spécifié ou sur des PATIENTS obèses doivent être indiqués.
- c) Des informations doivent être fournies concernant les réglages disponibles des PARAMETRES DE CHARGE, des facteurs techniques et des paramètres de fonctionnement qui affectent la QUALITE DE RAYONNEMENT ou la dose (le débit) de rayonnement qui prévaut en UTILISATION NORMALE.

*La conformité est vérifiée par l'examen des instructions d'utilisation.*

#### 5.2.4.6 RISQUE pour les OPERATEURS

Les INSTRUCTIONS D'UTILISATION doivent attirer l'attention de L'UTILISATEUR sur la nécessité de limiter l'accès à L'APPAREIL conformément à la réglementation locale sur la RADIOPROTECTION.

Toutes les informations nécessaires pour minimiser l'IRRADIATION des OPERATEURS en UTILISATION NORMALE doivent être fournies.

Pour chaque type de procédure où les OPERATEURS doivent, pendant l'UTILISATION NORMALE, rester dans des ZONES SIGNIFICATIVES D'OCCUPATION, les informations suivantes doivent être fournies:

- a) la dose de RAYONNEMENT résultant du fonctionnement de l'APPAREIL mesuré en utilisant une procédure spécifiée;
- b) les moyens pour réduire la dose de rayonnement reçue par L'OPERATEUR, comme des dispositions en matière de RADIOPROTECTION fournies lors de l'installation de l'APPAREIL, des précautions d'utilisation et des ajustements des réglages de l'APPAREIL;
- c) une liste des DISPOSITIFS DE PROTECTION et des ACCESSOIRES à utiliser pour la RADIOPROTECTION. La liste peut inclure des DISPOSITIFS DE PROTECTION comme les

VÊTEMENTS DE PROTECTION, recommandés pour l'utilisation mais ne faisant pas partie de l'APPAREIL.

*La conformité est vérifiée par l'examen des instructions d'utilisation.*

## **6 Gestion des RAYONNEMENTS**

### **6.1 Généralités**

Les APPAREILS A RAYONNEMENT X doivent être conçus de manière à permettre la gestion des RAYONNEMENTS X délivrés au PATIENT d'une manière sûre et efficace. Les mesures exigées aux paragraphes 6.3 à 6.7 sont nécessaires pour permettre d'atteindre un équilibre dose-bénéfice acceptable.

### **6.2 Déclenchement et arrêt de l'IRRADIATION**

#### **6.2.1 Déclenchement et arrêt normal de l'IRRADIATION**

Chaque APPLICATION DE CHARGE doit être déclenchée et maintenue au moyen d'une commande nécessitant une opération continue de l'OPERATEUR. L'OPERATEUR doit avoir la possibilité de mettre fin à tout moment à l'APPLICATION DE CHARGE.

Toute commande par laquelle l'APPLICATION D'UNE CHARGE d'un TUBE RADIOGENE peut être déclenchée doit être protégée contre une manœuvre involontaire par des moyens compatibles avec l'UTILISATION PREVUE de l'APPAREIL A RAYONNEMENT X.

*La conformité est vérifiée par examen et par les essais de fonctionnement appropriés.*

#### **6.2.2 Mesures de sécurité contre la défaillance de l'arrêt normal de l'IRRADIATION**

En cas de défaillance de l'arrêt normal de l'IRRADIATION, celle-ci doit être arrêtée par une mesure de sécurité.

Si l'arrêt normal de l'IRRADIATION ne se fait pas à partir d'une mesure des RAYONNEMENTS, une manœuvre continue de l'OPERATEUR (voir 6.2.1) est suffisante comme mesure de sécurité.

Le système qui sert à l'arrêt normal de l'IRRADIATION et le système utilisé pour la mesure de sécurité doivent être séparés de manière à ce qu'une défaillance dans un des systèmes n'affecte pas le fonctionnement de l'autre système.

Une indication visible sur le POSTE DE COMMANDE doit être prévue pour indiquer qu'une APPLICATION DE CHARGE s'est terminée avec les moyens de sécurité exigés. Une autre APPLICATION DE CHARGE dans le même REGIME DE FONCTIONNEMENT ne doit pas être possible avant manœuvre d'un dispositif de commande prévu pour réinitialiser au niveau du POSTE DE COMMANDE.

*La conformité est vérifiée par examen et par les essais de fonctionnement appropriés.*

### **6.3 Dose de RAYONNEMENT et QUALITE DE RAYONNEMENT**

#### **6.3.1 Réglage de la dose de RAYONNEMENT et de la QUALITE DE RAYONNEMENT**

Il doit être possible de réduire la dose de RAYONNEMENT touchant le PATIENT conformément à l'UTILISATION PREVUE de l'APPAREIL A RAYONNEMENT X. Il doit être possible d'ajuster la QUALITE DE RAYONNEMENT sur une plage adaptée conformément à l'UTILISATION PREVUE de l'APPAREIL A RAYONNEMENT X.

Lorsque le réglage de la quantité de RAYONNEMENT X contribuant à l'image est fait par sélection manuelle de valeurs discrètes de PARAMETRES DE CHARGE ayant une relation essentiellement proportionnelle avec le RAYONNEMENT X total produit, plus particulièrement avec les valeurs du COURANT DANS LE TUBE RADIOGENE, du TEMPS DE CHARGE ou du PRODUIT COURANT TEMPS, ces valeurs discrètes doivent être choisies parmi les valeurs des séries R'10 ou R'20 selon l'ISO 497 (voir Annexe B).

NOTE L'utilisation des valeurs selon cette progression géométrique aide l'OPERATEUR à régler la quantité de RAYONNEMENT X selon des paliers significatifs à la fois en terme de dose de RAYONNEMENT touchant le patient et en qualité d'image.

*La conformité est vérifiée par examen et par des essais fonctionnels.*

### **6.3.2 Reproductibilité des caractéristiques de sortie du RAYONNEMENT**

Dans le cas des APPAREILS pour lesquels ce sujet n'est pas traité dans une norme particulière, le DOSSIER DE GESTION DES RISQUES doit déterminer la reproductibilité des caractéristiques de sortie du RAYONNEMENT par rapport aux PARAMETRES DE CHARGES fixés exigés pour l'UTILISATION PREVUE.

Les DOCUMENTS D'ACCOMPAGNEMENT doivent indiquer l'exactitude des caractéristiques de sortie du RAYONNEMENT.

*La conformité est vérifiée par examen.*

## **6.4 Indication des états de fonctionnement**

### **6.4.1 Indication de l'ENSEMBLE RADIOGENE A RAYONNEMENT X choisi**

Lorsqu'un APPAREIL A RAYONNEMENT X permet de choisir plus d'un ENSEMBLE RADIOGENE A RAYONNEMENT X et / ou plus d'une DISPOSITION DE FORMATION DE L'IMAGE PAR RAYONNEMENT, une indication de l'ENSEMBLE RADIOGENE A RAYONNEMENT X et / ou de la DISPOSITION DE FORMATION DE L'IMAGE PAR RAYONNEMENT choisi(s) doit être donnée sur le POSTE DE COMMANDE avant l'APPLICATION D'UNE CHARGE sur l'ENSEMBLE RADIOGENE A RAYONNEMENT X.

Lorsqu'un APPAREIL A RAYONNEMENT X peut déclencher l'APPLICATION DE CHARGE de plus d'un ENSEMBLE RADIOGENE A RAYONNEMENT X à partir d'un emplacement unique, des moyens doivent être prévus au niveau ou à proximité de chaque ENSEMBLE RADIOGENE pour indiquer que l'ENSEMBLE en question a été choisi.

*La conformité est vérifiée par examen.*

### **6.4.2 Indication de l'ETAT EN CHARGE**

L'ETAT EN CHARGE doit être indiqué de manière non ambiguë en UTILISATION NORMALE et en CONDITIONS DE PREMIER DEFAUT à l'OPERATEUR et aux autres personnes qui sont susceptibles d'être exposées aux RAYONNEMENTS X.

NOTE 1 Les PATIENTS ne sont pas considérés comme "autres personnes" au titre de l'exigence ci-dessus.

NOTE 2 La présence d'une image sur un DISPOSITIF D'AFFICHAGE DE L'IMAGE n'est pas considérée comme satisfaisant à cette exigence.

Lorsque, en UTILISATION NORMALE, l'arrêt de l'ETAT EN CHARGE est déterminé par l'APPAREIL, il doit être indiqué sans ambiguïté à l'OPERATEUR par un signal sonore. Des séries d'ETATS EN CHARGE déclenchés par une manœuvre unique doivent être considérées comme une APPLICATION D'UNE CHARGE au titre de cette exigence.

*La conformité est vérifiée par examen.*



### 6.4.3 Indication des PARAMETRES DE CHARGE et des MODES DE FONCTIONNEMENT

Des informations appropriées doivent être disponibles pour l'OPERATEUR avant, pendant et après l'APPLICATION D'UNE CHARGE sur un TUBE RADIOGENE, concernant les PARAMETRES DE CHARGE ou les MODES DE FONCTIONNEMENT, de manière à permettre à l'OPERATEUR de:

- déterminer et présélectionner les conditions optimales d'IRRADIATION;
- d'obtenir ensuite les données nécessaires à l'estimation de la dose de RAYONNEMENT reçue par le PATIENT.

L'exactitude des PARAMETRES DE CHARGE exigés pour l'UTILISATION PREVUE doit être déterminée dans le DOSSIER DE GESTION DES RISQUES ou par application d'une norme particulière.

Les documents d'accompagnement doivent indiquer l'exactitude des PARAMETRES DE CHARGE.

*La conformité est vérifiée par l'examen du DOSSIER DE GESTION DES RISQUES, des DOCUMENTS D'ACCOMPAGNEMENT et par les essais de fonctionnement appropriés.*

### 6.4.4 Indication des modes automatiques

Pour les APPAREILS A RAYONNEMENT X fonctionnant avec des SYSTEMES DE COMMANDE AUTOMATIQUE, le mode présélectionné de fonctionnement automatique doit être indiqué sur le POSTE DE COMMANDE.

*La conformité est vérifiée par examen.*

### 6.4.5 Indications dosimétriques

Des moyens doivent être fournis pour permettre à l'utilisateur d'estimer la dose de RAYONNEMENT délivrée au PATIENT. Cette exigence peut être satisfaite en fournissant des informations dans les DOCUMENTS D'ACCOMPAGNEMENT, par l'indication des valeurs dosimétriques ou par une combinaison de ces éléments. L'exactitude résultante doit être spécifiée dans les DOCUMENTS D'ACCOMPAGNEMENT.

NOTE Les exigences pour les indications dosimétriques particulières sont traitées dans les normes particulières de la série IEC 60601.

*La conformité est vérifiée par examen.*

## 6.5 SYSTEME DE COMMANDE AUTOMATIQUE

Il convient que les APPAREILS A RAYONNEMENT X soient fournis avec un SYSTEME DE COMMANDE AUTOMATIQUE.

Si, dans le cadre de l'UTILISATION PREVUE, l'OPERATEUR n'est pas capable de régler les PARAMETRES DE CHARGE pour s'adapter aux caractéristiques du PATIENT (par exemple épaisseur), un SYSTEME DE COMMANDE AUTOMATIQUE doit être fourni.

NOTE L'ajout d'une option de mode manuel n'est pas contradictoire avec ces exigences et s'avère souvent utile.

La constance des COMMANDES D'EXPOSITION AUTOMATIQUE exigées pour l'UTILISATION PREVUE doit être déterminée dans le DOSSIER DE GESTION DES RISQUES ou par application d'une norme particulière.

Les DOCUMENTS D'ACCOMPAGNEMENT doivent indiquer l'exactitude des SYSTEMES DE COMMANDE AUTOMATIQUE.

*La conformité est vérifiée par l'examen du DOSSIER DE GESTION DES RISQUES et par les essais de fonctionnement appropriés.*



## 6.6 Réduction du RAYONNEMENT DIFFUSE

Des moyens doivent être prévus pour réduire l'influence du RAYONNEMENT diffusé dans le PATIENT vers le RECEPTEUR D'IMAGE RADIOLOGIQUE en cas d'influence significative sur la QUALITE D'IMAGE. Si de tels moyens peuvent être retirés par l'OPERATEUR, leur présence ou leur absence doit être clairement visible ou indiquée à l'OPERATEUR.

L'utilisation correcte de tels moyens doit être décrite dans les instructions d'utilisation.

*La conformité est vérifiée par l'examen des instructions d'utilisation et par les essais de fonctionnement appropriés.*

## 6.7 Performances d'imagerie

### 6.7.1 Généralités

Pour obtenir un équilibre acceptable entre la dose et le bénéfice retiré, il est important que le bénéfice médical attendu justifie l'IRRADIATION. Les mesures exigées dans les paragraphes 6.7.2 à 6.7.4 sont nécessaires pour permettre l'obtention d'une performance d'imagerie acceptable.

### 6.7.2 Performance du système

Comme toutes les applications ou tâches dans l'imagerie médicale à rayonnement X n'exigent pas le même niveau de performance et de dose de RAYONNEMENT, l'UTILISATION PREVUE de l'APPAREIL doit être spécifiée et décrite dans les DOCUMENTS D'ACCOMPAGNEMENT.

Pour l'UTILISATION PREVUE, des mesures normalisées décrivant les performances d'imagerie doivent être définies et spécifiées.

*La conformité est vérifiée par l'examen du DOSSIER DE GESTION DES RISQUES et des DOCUMENTS D'ACCOMPAGNEMENT.*

### 6.7.3 Valeur nominale du foyer

Les valeurs nominales du foyer des TUBES RADIOGENES des APPAREILS doivent être indiquées conformément à l'IEC 60336:1993 ou à ses versions plus récentes, et doivent être compatible avec chaque application dans le cadre de l'utilisation prévue.

*La conformité est vérifiée par l'examen du DOSSIER DE GESTION DES RISQUES et des DOCUMENTS D'ACCOMPAGNEMENT.*

### 6.7.4 DETECTEUR DE RAYONNEMENT OU RECEPTEUR D'IMAGE RADIOLOGIQUE

Si un DETECTEUR DE RAYONNEMENT ou un RECEPTEUR D'IMAGE RADIOLOGIQUE est intégré dans l'APPAREIL A RAYONNEMENT X, sa contribution à la mesure normalisée des performances d'imagerie doit être spécifiée. Il convient que cette contribution assure l'utilisation efficace du RAYONNEMENT.

En l'absence de RECEPTEUR D'IMAGE RADIOLOGIQUE intégré au système, des exemples de types ou de performance de RECEPTEUR D'IMAGE RADIOLOGIQUE doivent être décrits dans les DOCUMENTS D'ACCOMPAGNEMENT.

*La conformité est vérifiée par l'examen du DOSSIER DE GESTION DES RISQUES et des DOCUMENTS D'ACCOMPAGNEMENT.*

## 7 QUALITE DE RAYONNEMENT

### 7.1 COUCHES DE DEMI-TRANSMISSION et FILTRATION TOTALE dans les APPAREILS A RAYONNEMENT X

La QUALITE DE RAYONNEMENT du FAISCEAU DE RAYONNEMENT X fourni par les APPAREILS A RAYONNEMENT X doit être appropriée pour produire les images prévues sans administrer de manière inutile des DOSES élevées au PATIENT.

Il est nécessaire que la FILTRATION TOTALE du faisceau soit suffisante pour atteindre le but précédent. Des exigences pour la FILTRATION minimale sont données ici en termes de FILTRATION DE QUALITE EQUIVALENTE totale ou de première COUCHE DE DEMI-TRANSMISSION pour la HAUTE TENSION RADIOGENE spécifiée.

Dans les APPAREILS A RAYONNEMENT X, pour toutes les configurations disponibles en UTILISATION NORMALE, les premières COUCHES DE DEMI-TRANSMISSION dans le FAISCEAU DE RAYONNEMENT X qui atteint le PATIENT ne doivent pas être inférieures aux valeurs minimales admissibles données au Tableau 3 sauf si l'APPAREIL A RAYONNEMENT X est exempté par une norme particulière.

En alternative à l'alinéa précédent, la FILTRATION TOTALE provenant de matériaux dans le FAISCEAU DE RAYONNEMENT X qui atteint le PATIENT ne doit pas être inférieure à une FILTRATION DE QUALITE EQUIVALENTE de 2,5 mm Al, sauf si l'APPAREIL A RAYONNEMENT X est exempté par une norme particulière.

**Tableau 3 – COUCHES DE DEMI-TRANSMISSION dans les APPAREILS A RAYONNEMENT X**

HAUTE TENSION RADIOGENE kV	Première couche de DEMI-TRANSMISSION minimale admissible mm Al
50	1,8
60	2,2
70	2,5
80	2,9
90	3,2
100	3,6
110	3,9
120	4,3
130	4,7
140	5,0
150	5,4

– Les COUCHES DE DEMI-TRANSMISSION pour les autres tensions doivent être obtenues par interpolation ou extrapolation linéaire.

Ces valeurs de COUCHES DE DEMI-TRANSMISSION correspondent à une FILTRATION TOTALE de 2,5 mm Al pour les APPAREILS A RAYONNEMENT X, qui fonctionnent à la HAUTE TENSION RADIOGENE potentielle constante.

La vérification est effectuée par les essais du 7.4, 7.5 et du 7.6 et par examen.

### 7.2 Forme d'onde de la HAUTE TENSION RADIOGENE

La distribution des HAUTES TENSIONS RADIOGENES pendant l'APPLICATION D'UNE CHARGE ne doit pas produire une augmentation excessive de RAYONNEMENT de faible énergie dans le FAISCEAU DE RAYONNEMENT X. Ceci s'applique en particulier:

- à la phase montante de la HAUTE TENSION RADIOGENE;
- à la phase descendante de la HAUTE TENSION RADIOGENE;
- à la forme et à l'amplitude de L'ONDULATION DE LA HAUTE TENSION RADIOGENE.

La FORME D'ONDE DE LA HAUTE TENSION RADIOGENE, qui conjointement avec la FILTRATION TOTALE dans l'APPAREIL A RAYONNEMENT X donne lieu à une dose de RAYONNEMENT acceptable pour l'UTILISATION PREVUE, doit être déterminée dans le DOSSIER DE GESTION DES RISQUES ou par application d'une norme particulière.

*La conformité est vérifiée par examen.*

### 7.3 Indication des propriétés du FILTRE

Des moyens doivent être fournis pour indiquer:

- la FILTRATION PERMANENTE dans le FAISCEAU DE RAYONNEMENT X;
- l'épaisseur et composition chimique de chaque FILTRE ADDITIONNEL.

Les propriétés du FILTRE doivent être indiquées comme suit:

- Les GAINES EQUIPEES doivent porter un marquage avec leur FILTRATION PERMANENTE ou avec les épaisseurs des matériaux concernés, ainsi que leurs symboles chimiques.
- Lorsqu'ils sont accessibles à l'OPERATEUR, les FILTRES ADDITIONNELS, y compris les FILTRES SELECTIFS, doivent être marqués de manière à ce que l'épaisseur et les symboles chimiques de chaque matériau employé puissent être identifiés. Le marquage peut être donné sous la forme d'une référence à une indication à ce sujet dans les DOCUMENTS D'ACCOMPAGNEMENT.
  - Pour tous les FILTRES ADDITIONNELS, les DOCUMENTS D'ACCOMPAGNEMENT doivent indiquer la FILTRATION DE QUALITE EQUIVALENTE en épaisseur d'aluminium ou d'autres matériaux de référence convenables, avec la QUALITE DE RAYONNEMENT utilisée pour sa détermination (Exemple: 0,3 mm Al 75 kV/HVL 2,7 mm Al). Toute valeur de la FILTRATION DE QUALITE EQUIVALENTE donnée pour un FILTRE SELECTIF doit se rapporter au côté à faible énergie de la discontinuité.
- Les couches fixes de matériau dans le FAISCEAU DE RAYONNEMENT X touchant le PATIENT, autres que les FILTRES ADDITIONNELS et les matériaux inamovibles dans les GAINES EQUIPEES, doivent être repérées pour indiquer la FILTRATION DE QUALITE EQUIVALENTE en épaisseur d'aluminium avec la QUALITE DE RAYONNEMENT utilisée pour sa détermination. Le marquage peut être donné sous la forme d'une référence à une indication à ce sujet dans les DOCUMENTS D'ACCOMPAGNEMENT; De telles couches n'ont pas besoin d'être marquées si elles ajoutent ensemble pas plus d'une FILTRATION DE QUALITE EQUIVALENTE de 0,2 mm Al et si elles ne sont pas destinées à être prises en compte comme une partie de la FILTRATION TOTALE exigée pour être conforme au 4ème alinéa de 7.1.
- Lorsque l'APPAREIL A RAYONNEMENT X permet de choisir des FILTRES ADDITIONNELS par commande à distance ou par des systèmes automatiques, le FILTRE ADDITIONNEL choisi doit être indiqué sur le POSTE DE COMMANDE.

*La conformité est vérifiée par examen, si nécessaire, des GAINES EQUIPEES, des matériaux de filtrage et des FILTRES ADDITIONNELS et par examen des DOCUMENTS D'ACCOMPAGNEMENT.*

### 7.4 Essai de FILTRATION par des matériaux inamovibles

*Déterminer la FILTRATION représentée par des matériaux inamovibles dans un ENSEMBLE RADIOGENE A RAYONNEMENT X en ajoutant les valeurs de la FILTRATION DE QUALITE EQUIVALENTE de chaque couche inamovible de matériau interceptant le FAISCEAU DE RAYONNEMENT X. Si cette information n'est pas disponible, déterminer la FILTRATION DE QUALITE EQUIVALENTE conformément à l'IEC 60522.*

### 7.5 Essai concernant les FILTRES ADDITIONNELS et les matériaux

*Déterminer la FILTRATION DE QUALITE EQUIVALENTE des FILTRES ADDITIONNELS et des autres matériaux qui font partie de la FILTRATION TOTALE, en CONDITIONS DE FAISCEAU ETROIT, comme l'épaisseur d'aluminium qui aboutit à la même première COUCHE DE DEMI-TRANSMISSION que le matériau en essai. Pour le mesurage, utiliser un FAISCEAU DE RAYONNEMENT X avec la même*

*HAUTE TENSION RADIOGENE que celle utilisée pour déterminer la FILTRATION par matériaux inamovibles et la première COUCHE DE DEMI-TRANSMISSION donnée au Tableau 3.*

*Si la FILTRATION DE QUALITE EQUIVALENTE d'un FILTRE SELECTIF doit être déterminée, utiliser une QUALITE DE RAYONNEMENT appropriée au côté à faible énergie de la discontinuité.*

## **7.6 Essai de la COUCHE DE DEMI-TRANSMISSION**

*Mesurer la première COUCHE DE DEMI-TRANSMISSION dans les CONDITIONS DE FAISCEAU ETROIT avec l'APPAREIL A RAYONNEMENT X fonctionnant à des valeurs choisies de la HAUTE TENSION RADIOGENE donnée au Tableau 3 aux PARAMETRES DE CHARGE correspondants dans la plage d'UTILISATION NORMALE.*

## **8 Limitation de l'étendue du FAISCEAU DE RAYONNEMENT X et relation entre FAISCEAU DE RAYONNEMENT X et SURFACE RECEPTRICE DE L'IMAGE**

### **8.1 Généralités**

Les APPAREILS A RAYONNEMENT X doivent être conçus pour limiter le CHAMP DE RAYONNEMENT qui ne contribue pas à la formation de l'image.

La mise en œuvre doit être prise en compte dans le DOSSIER DE GESTION DES RISQUES ou en utilisant des normes particulières.

NOTE Cet article a été réduit par rapport à la première édition de la présente norme collatérale car la majeure partie de son contenu a été considérée comme spécifique à la RADIOGRAPHIE de projection et à la RADIOSCOPIE.

### **8.2 Enveloppe des TUBES RADIOGENES**

Les TUBES RADIOGENES doivent être utilisés comme partie d'un ENSEMBLE RADIOGENE A RAYONNEMENT X, y compris les fonctions d'une GAINÉ et d'un SYSTEME DE LIMITATION DU FAISCEAU.

*La conformité est vérifiée par examen.*

### **8.3 DIAPHRAGME de limitation dans les GAINES EQUIPEES**

Une GAINÉ EQUIPEE ne doit pas avoir une FENETRE plus grande que nécessaire pour fournir le plus grand FAISCEAU DE RAYONNEMENT X exigé pour ses applications spécifiées. La FENETRE doit être réduite aux dimensions adéquates au moyen d'un DIAPHRAGME de dimensions fixes mis en place aussi près que possible en pratique du FOYER.

*La conformité est vérifiée par examen de la description technique et des données de conception.*

### **8.4 Confinement du RAYONNEMENT EXTRA-FOCAL**

La contribution du RAYONNEMENT EXTRA-FOCAL au RECEPTEUR D'IMAGE RADIOLOGIQUE et à la dose PATIENT doit être limitée à un niveau acceptable. Des niveaux acceptables de RAYONNEMENT EXTRA-FOCAL pourraient être donnés dans les normes particulières.

NOTE Un des moyens les plus importants pour réduire le RAYONNEMENT EXTRA-FOCAL consiste à limiter the FAISCEAU DE RAYONNEMENT à proximité du FOYER.

*La conformité est vérifiée par examen de la description technique et des données de conception.*

## **8.5 Relation entre CHAMP DE RAYONNEMENT X et SURFACE RECEPTRICE DE L'IMAGE**

### **8.5.1 Généralités**

Les APPAREILS X doivent être conçus de telle manière que le FAISCEAU DE RAYONNEMENT X puisse être dirigé en toute sécurité et aligné par rapport au PATIENT et au RECEPTEUR D'IMAGE RADIOLOGIQUE, comme cela est approprié aux applications spécifiées, pour s'assurer que l'APPAREIL A RAYONNEMENT X est capable d'être utilisé sans RISQUE excessif d'administration au PATIENT de RAYONNEMENT ne permettant pas de déduire des informations utiles de diagnostic.

### **8.5.2 \* DISTANCE FOYER-RECEPTEUR D'IMAGE**

La DISTANCE FOYER-RECEPTEUR D'IMAGE doit être indiquée comme suit:

- les DOCUMENTS D'ACCOMPAGNEMENT doivent CONTENIR des détails concernant les valeurs ou les gammes de DISTANCE FOYER-RECEPTEUR D'IMAGE spécifiées pour l'UTILISATION NORMALE;
- si la DISTANCE FOYER-RECEPTEUR D'IMAGE est réglable et que les applications spécifiées exigent que sa valeur soit connue de l'OPERATEUR avant l'APPLICATION DE LA CHARGE, la valeur sélectionnée doit être indiquée sur l'APPAREIL;
- l'exactitude de l'indication doit être telle que la DISTANCE FOYER-RECEPTEUR D'IMAGE ne diffère pas de plus de 5 % de toute valeur correspondante indiquée sur l'APPAREIL ou de toute valeur correspondante indiquée dans les DOCUMENTS D'ACCOMPAGNEMENT.

*La conformité est vérifiée par examen et par des essais fonctionnels, par examen des DOCUMENTS D'ACCOMPAGNEMENT et, le cas échéant, par une mesure de la DISTANCE FOYER-RECEPTEUR D'IMAGE dans des configurations et des réglages choisis de l'APPAREIL.*

### **8.5.3 Correspondance entre CHAMP DE RAYONNEMENT X et SURFACE RECEPTRICE DE L'IMAGE EFFICACE**

Des moyens doivent être fournis pour ajuster le CHAMP DE RAYONNEMENT X de manière à ce que sa position et sa taille correspondent à la SURFACE RECEPTRICE DE L'IMAGE EFFICACE dans les limites d'une exactitude acceptable conforme aux normes particulières ou au DOSSIER DE GESTION DES RISQUES.

NOTE Si un DISPOSITIF DE LIMITATION DE FAISCEAU secondaire est utilisé entre le PATIENT et le RECEPTEUR D'IMAGE RADIOLOGIQUE, cette exigence s'applique au CHAMP DE RAYONNEMENT X défini par le DISPOSITIF DE LIMITATION DE FAISCEAU primaire et pour la SURFACE RECEPTRICE DE L'IMAGE EFFICACE comme défini par le DISPOSITIF DE LIMITATION DE FAISCEAU secondaire.

*La conformité est vérifiée par inspection du DOSSIER DE GESTION DES RISQUES.*

### **8.5.4 Positionnement du PATIENT et restriction de la zone irradiée**

L'APPAREIL A RAYONNEMENT X doit être conçu de telle manière que pour l'UTILISATION PREVUE l'étendue de la zone irradiée puisse être réduite à ce qui est exigé cliniquement.

Toutes les parties d'un PATIENT qui sont spécifiées pour être traités en image doivent être visibles dans l'image.

NOTE Ceci peut être réalisé, par exemple, par un champ lumineux ou une marque visible.

*La conformité est vérifiée par examen.*

## **9 DISTANCE FOYER-PEAU**

### **9.1 Généralités**

En UTILISATION NORMALE, les DISTANCES FOYER-PEAU doivent être suffisamment importantes pour maintenir la dose de RAYONNEMENT sur le PATIENT au niveau le plus faible qui peut être atteint de manière raisonnable.

L'implémentation d'une DISTANCE FOYER-PEAU minimale doit être prise en compte dans le DOSSIER DE GESTION DES RISQUES ou par l'utilisation des normes particulières.

*La conformité est vérifiée par l'examen du DOSSIER DES GESTION DES RISQUES.*

### **9.2 Informations dans les DOCUMENTS D'ACCOMPAGNEMENT**

Les instructions d'utilisation doivent inclure des informations pour l'OPERATEUR décrivant les effets des modifications de la DISTANCE FOYER-PEAU sur la dose de RAYONNEMENT délivrée au PATIENT.

*La conformité est vérifiée par l'examen des instructions d'utilisation.*

## **10 ATTENUATION du FAISCEAU DE RAYONNEMENT X entre le PATIENT et le RECEPTEUR D'IMAGE RADIOLOGIQUE**

### **10.1 Généralités**

Les APPAREILS A RAYONNEMENT X doivent être conçus de manière à ce que l'ATTENUATION du FAISCEAU DE RAYONNEMENT X par le matériau interposé entre le PATIENT et RECEPTEUR D'IMAGE RADIOLOGIQUE soit maintenu au niveau le plus faible qui peut être obtenu raisonnablement, de manière à éviter des doses PATIENT inutilement élevées et des doses touchant l'OPERATEUR par l'intermédiaire de RAYONNEMENTS PARASITES. Les valeurs d'EQUIVALENT D'ATTENUATION et de CONDITIONS DE RAYONNEMENT pour les essais exigés dans le cadre de l'UTILISATION PREVUE doivent être déterminées dans le DOSSIER DE GESTION DES RISQUES ou par application d'une norme particulière.

*La conformité est vérifiée par l'examen du DOSSIER DES GESTION DES RISQUES.*

### **10.2 Informations dans les DOCUMENTS D'ACCOMPAGNEMENT**

Les DOCUMENTS D'ACCOMPAGNEMENT doivent indiquer la valeur maximale de l'EQUIVALENT d'ATTENUATION de chaque élément interposé entre le PATIENT et le RECEPTEUR D'IMAGE RADIOLOGIQUE et faisant partie de l'APPAREIL A RAYONNEMENT X.

Pour les APPAREILS A RAYONNEMENT X de diagnostic spécifiés pour être utilisés avec des ACCESSOIRES ou d'autres éléments ne faisant pas partie de l'APPAREIL même ou d'autres APPAREILS A RAYONNEMENT X de diagnostic, les instructions d'utilisation doivent inclure une mention attirant l'attention sur les effets nocifs potentiels provenant de matériaux situés dans le FAISCEAU DE RAYONNEMENT X (par exemple, des parties d'une table d'opération).

*La conformité est vérifiée par examen des DOCUMENTS D'ACCOMPAGNEMENT.*

## **11 Protection contre le RAYONNEMENT RESIDUEL**

Dans le cas des APPAREILS pour lesquels ce sujet n'est pas traité dans une norme, le DOSSIER DE GESTION DES RISQUES doit évaluer la dose de RAYONNEMENT résultant du RAYONNEMENT RESIDUEL

– pour le PATIENT, par rapport à la dose de RAYONNEMENT résultant de l'examen;



- pour d'autres personnes, par rapport à la dose résultant du RAYONNEMENT X diffusé hors du PATIENT.

Lorsque, en UTILISATION NORMALE, le RAYONNEMENT RESIDUEL peut contribuer de manière significative à la dose de RAYONNEMENT reçue par:

- les OPERATEURS,
- d'autres personnes présentes dans la salle d'examen pendant l'APPLICATION D'UNE CHARGE (par exemple des parents tenant un enfant, d'autres PATIENTS ou le personnel),
- des parties du PATIENT autres que celles qui sont soumises à l'examen par imagerie,

l'APPAREIL A RAYONNEMENT X doit incorporer une BARRIERE DE PROTECTION CONTRE LE FAISCEAU.

Lorsque cela est nécessaire, la BARRIERE DE PROTECTION CONTRE LE FAISCEAU doit posséder une étendue appropriée et la capacité d'atténuer le RAYONNEMENT RESIDUEL.

*La conformité est vérifiée par examen.*

## **12 \* Protection contre le RAYONNEMENT DE FUITE**

### **12.1 Généralités**

Les APPAREILS A RAYONNEMENT X doivent incorporer des mesures appropriées pour protéger le PATIENT, l'OPERATEUR et le personnel contre les RAYONNEMENTS DE FUITE.

La dose de RAYONNEMENT acceptable dans le cadre de l'UTILISATION PREVUE et résultant du RAYONNEMENT DE FUITE doit être déterminée dans le DOSSIER DE GESTION DES RISQUES ou par application d'une norme particulière:

- pour le PATIENT, par rapport à la dose de RAYONNEMENT résultant de l'examen;
- pour d'autres personnes, par rapport à la dose résultant du RAYONNEMENT X diffusé hors du PATIENT.

En UTILISATION NORMALE, le RAYONNEMENT DE FUITE ne doit pas contribuer de manière significative à la dose de RAYONNEMENT reçue par:

- les OPERATEURS;
- d'autres personnes présentes dans la salle d'examen pendant l'APPLICATION D'UNE CHARGE (par exemple des parents tenant un enfant, d'autres PATIENTS ou le personnel);
- des parties du PATIENT autres que celles qui sont soumises à l'examen par imagerie.

Les paragraphes 12.2 à 12.5 contiennent des exigences concernant le RAYONNEMENT DE FUITE des GAINES EQUIPEES et des ENSEMBLES RADIOGENES A RAYONNEMENT X suffisantes pour démontrer la conformité aux exigences du présent paragraphe.

*La conformité est vérifiée par examen du DOSSIER DE GESTION DES RISQUES.*

### **12.2 Montage des ENSEMBLES RADIOGENES A RAYONNEMENT X et DISPOSITIONS DE FORMATION DE L'IMAGE PAR RAYONNEMENT**

Il ne doit pas être nécessaire de tenir à la main les ENSEMBLES RADIOGENES A RAYONNEMENT X et les RECEPTEURS D'IMAGE RADIOLOGIQUE pendant l'APPLICATION D'UNE CHARGE en UTILISATION NORMALE.

Les exceptions doivent être justifiées dans le DOSSIER DE GESTION DES RISQUES ou par application d'une norme particulière.

*La conformité est vérifiée par examen.*

### 12.3 Indication des conditions D'APPLICATION DE CHARGE de référence

Les DOCUMENTS D'ACCOMPAGNEMENT pour toutes les GAINES EQUIPEES et tous les ENSEMBLES RADIOGENES A RAYONNEMENT X doivent indiquer les valeurs des PARAMETRES DE CHARGE qui correspondraient, si on les appliquait à la HAUTE TENSION NOMINALE, à l'énergie maximale spécifiée appliquée sur l'ANODE pendant une heure. Pour cette raison, l'énergie d'entrée maximale spécifiée pendant une heure peut être prise:

- soit comme la valeur permise par l'APPLICATION D'UNE CHARGE en RADIOGRAPHIE à la HAUTE TENSION RADIOGENE applicable, selon les ABAQUES RADIOGRAPHIQUES, correspondant à un PRODUIT COURANT-TEMPS pendant une heure; soit
- comme la valeur correspondant à la PUISSANCE ANODIQUE CONTINUE spécifiée.

*La conformité est vérifiée par examen des DOCUMENTS D'ACCOMPAGNEMENT.*

### 12.4 RAYONNEMENT DE FUITE pendant l'ETAT EN CHARGE

Pendant l'ETAT EN CHARGE, le KERMA DANS L'AIR du RAYONNEMENT DE FUITE des GAINES EQUIPEES et des ENSEMBLES RADIOGENES A RAYONNEMENT X, à 1 m du FOYER, moyenné sur toute surface de 100 cm<sup>2</sup> dont aucune dimension linéaire principale ne dépasse 20 cm, lorsqu'on fonctionne à la HAUTE TENSION NOMINALE dans des conditions d'APPLICATION D'UNE CHARGE correspondant aux conditions D'APPLICATION D'UNE CHARGE de référence ne doit pas dépasser 1,0 mGy par heure. Les normes particulières peuvent spécifier des limites différentes pour le RAYONNEMENT DE FUITE de certains APPAREILS A RAYONNEMENT X.

*La conformité est vérifiée par la procédure d'essai suivante:*

- a) *obstruer la FENETRE suffisamment pour être sûr que les mesures de RAYONNEMENT DE FUITE ne soient pas faussées par le RAYONNEMENT qui les traverse. Tout capot utilisé dans ce but doit être placé aussi près que possible en pratique de la FENETRE et ne doit pas la recouvrir sur une surface supérieure à ce qui est exigé pour obtenir une obstruction efficace;*
- b) *pour l'APPLICATION D'UNE CHARGE pendant l'essai*
  - 1) *utiliser la HAUTE TENSION NOMINALE pour la GAINES EQUIPEE ou l'ENSEMBLE RADIOGENE à RAYONNEMENT X à l'essai;*
  - 2) *utiliser soit la RADIOSCOPIE à une valeur appropriée du COURANT DANS LE TUBE RADIOGENE soit la RADIOGRAPHIE à une valeur appropriée du PRODUIT COURANT TEMPS;*
  - 3) *ne pas utiliser d'APPLICATIONS DE CHARGE pouvant provoquer un quelconque dépassement des caractéristiques spécifiées prévues pendant l'essai;*
- c) *déterminer, si nécessaire par mesurage, comment la détermination du RAYONNEMENT DE FUITE sera affectée par les réglages et les configurations spécifiés pour l'UTILISATION NORMALE du montage en essai. Pour l'essai lui-même, adopter la combinaison qui apparaît la plus défavorable par rapport à la conformité;*
- d) *en appliquant les PARAMETRES DE CHARGE appropriés, effectuer un nombre suffisant de mesurages pour déterminer la valeur maximale de KERMA DANS L'AIR ou de DEBIT DE KERMA DANS L'AIR à 1 m du FOYER sur la surface sphérique entière;*
- e) *aligner les VALEURS MESUREES aux PARAMETRES DE CHARGE réellement utilisés, sur les valeurs du KERMA DANS L'AIR pendant une heure correspondant aux conditions de référence de l'APPLICATION DE LA CHARGE indiquée dans les DOCUMENTS D'ACCOMPAGNEMENT, conformément à 12.3;*
- f) *effectuer tous les réglages nécessaires des valeurs pour tenir compte des moyennes permises sur les surfaces, comme cela est décrit en 12.4;*
- g) *en tenant compte des résultats obtenus, répéter l'étape c) et faire d'autres mesurages conformément aux points d) à f) avec d'autres combinaisons de réglages et de*



*configurations si il apparaît que les résultats de ceux-ci pourraient affecter le résultat de la détermination finale de conformité;*

- h) la conformité est obtenue si aucune VALEUR MESUREE obtenue par la procédure d'essai ne dépasse les limites prescrites.*

## **12.5 RAYONNEMENT DE FUITE hors de l'ETAT EN CHARGE**

Hors ETAT EN CHARGE, le KERMA DANS L'AIR du RAYONNEMENT DE FUITE des GAINES EQUIPEES et des ENSEMBLES RADIOGENES A RAYONNEMENT X, à 5 cm de toute SURFACE ACCESSIBLE, moyenné sur une surface quelconque de 10 cm<sup>2</sup> dont aucune dimension linéaire principale ne dépasse 5 cm, ne doit pas dépasser 20 µGy par heure.

*La conformité est vérifiée par la procédure d'essai suivante:*

- a) faire fonctionner l'APPAREIL A RAYONNEMENT X, dispositif ou sous-ensemble dans les conditions d'UTILISATION NORMALE, autrement qu'en ETAT DE CHARGE, qui sont les plus défavorables pour la conformité avec l'exigence;*
- b) faire un nombre suffisant de mesures du KERMA DANS L'AIR ou du DEBIT DE KERMA DANS L'AIR à 5 cm de la SURFACE ACCESSIBLE pour établir le profil du RAYONNEMENT DE FUITE en une heure sur la surface totale;*
- c) effectuer tous les réglages nécessaires des valeurs pour tenir compte des moyennes permises sur les surfaces, comme cela est décrit en 12.5;*
- d) La conformité est obtenue si aucune VALEUR MESUREE obtenue par la procédure d'essai ne dépasse les limites prescrites.*

## **13 Protection contre les RAYONNEMENTS PARASITES**

### **13.1 Généralités**

Les APPAREILS A RAYONNEMENT X doivent incorporer des mesures appropriées pour protéger l'OPERATEUR et le personnel contre les RAYONNEMENTS PARASITES. Les mesures telles qu'elles sont exigées aux paragraphes 13.2 à 13.5 incluent, selon ce qui est applicable, la protection par la distance, la commande des APPAREILS A RAYONNEMENT X à partir de ZONES PROTEGEES, la désignation de ZONES SIGNIFICATIVES D'OCCUPATION avec des caractéristiques particulières, l'insertion de DISPOSITIFS DE PROTECTION appropriés, la limitation de la dose de RAYONNEMENT aux emplacements des prises et des dispositifs de commande et des déclarations dans les DOCUMENTS D'ACCOMPAGNEMENT.

*La conformité est vérifiée par l'examen des DOCUMENTS D'ACCOMPAGNEMENT.*

### **13.2 Commande de l'APPAREIL A RAYONNEMENT X à partir d'une ZONE PROTEGEE**

L'APPAREIL A RAYONNEMENT X spécifié exclusivement pour des examens qui n'exigent pas la présence de l'OPERATEUR ou de l'équipe médicale à proximité du PATIENT en UTILISATION NORMALE doit être muni de moyens permettant la mise en œuvre des fonctions de commande suivantes à partir d'une ZONE PROTEGEE après installation:

- choix et commande des MODES DE FONCTIONNEMENT;
- choix des PARAMETRES DE CHARGE;
- manœuvre de la COMMANDE d'IRRADIATION;
- autres commandes nécessaires pour l'OPERATEUR pendant l'APPLICATION DE LA CHARGE.

Les instructions correspondantes doivent être données dans les DOCUMENTS D'ACCOMPAGNEMENT.

Les DOCUMENTS D'ACCOMPAGNEMENT doivent inclure une mention attirant l'attention de l'UTILISATEUR sur la nécessité de fournir des moyens de communication audio et vidéo entre l'OPERATEUR et le PATIENT.

Les exceptions au présent paragraphe 13.2 de la présente norme doivent être justifiées dans le DOSSIER DE GESTION DES RISQUES ou par application d'une norme particulière. Dans ces cas, le paragraphe 13.3 s'applique.

NOTE La première édition de l'IEC 60601-1-3 contenait une liste spécifiée d'appareils exemptés qui font maintenant l'objet de normes particulières.

*La conformité est vérifiée par l'examen de l'APPAREIL, du DOSSIER DE GESTION DES RISQUES et des DOCUMENTS D'ACCOMPAGNEMENT.*

### 13.3 Protection par la distance

Pour les APPAREILS A RAYONNEMENT X spécifiés exclusivement pour des examens qui n'exigent pas que l'OPERATEUR, l'équipe médicale ou d'autres personnes soient près du PATIENT en UTILISATION NORMALE, et si le paragraphe 13.2 ne s'applique pas, la protection contre les RAYONNEMENTS PARASITES doit être obtenue en permettant à l'OPERATEUR de commander l'IRRADIATION à une distance suffisante.

Pour l'utilisation normale, la distance requise et la dose de RAYONNEMENT résultant du RAYONNEMENT PARASITE doivent être déterminées dans le DOSSIER DE GESTION DES RISQUES ou par application d'une norme particulière.

Lorsque la protection est assurée par la distance, des informations doivent être données dans les DOCUMENTS D'ACCOMPAGNEMENT concernant l'impact de la distance sur la dose de RAYONNEMENT. Des mentions doivent être incluses dans les DOCUMENTS D'ACCOMPAGNEMENT pour informer l'ORGANISME RESPONSABLE et l'OPERATEUR du besoin possible de DISPOSITIFS DE PROTECTION et de VETEMENTS DE PROTECTION selon ce qui est approprié à la charge de travail concernée.

*La conformité est vérifiée par l'examen de l'APPAREIL, du DOSSIER DE GESTION DES RISQUES et des DOCUMENTS D'ACCOMPAGNEMENT*

### 13.4 \* ZONES SIGNIFICATIVES D'OCCUPATION désignées

Les APPAREILS A RAYONNEMENT X spécifiés pour tous les examens RADIOLOGIQUES qui exigent que l'OPERATEUR ou l'équipe médicale soit à proximité du PATIENT en UTILISATION NORMALE ou qui ne sont pas conformes à 13.2 ou 13.3 pour une autre raison, doivent posséder au moins une ZONE SIGNIFICATIVE D'OCCUPATION à l'usage de l'OPERATEUR et de l'équipe médicale, définie dans les instructions d'utilisation.

Toute ZONE SIGNIFICATIVE D'OCCUPATION désignée selon ce paragraphe doit avoir une surface au sol d'au moins 60 cm x 60 cm et une hauteur d'au moins 200 cm.

La désignation de chaque ZONE SIGNIFICATIVE D'OCCUPATION selon ce paragraphe doit inclure les informations suivantes dans les instructions d'utilisation:

- les types d'examens RADIOLOGIQUES pour lesquels la ZONE SIGNIFICATIVE D'OCCUPATION est destinée à être utilisée;
- l'emplacement de la ZONE SIGNIFICATIVE D'OCCUPATION, indiquée par un tracé représentatif indiquant les emplacements de ses limites par rapport aux contours clairement reconnaissables de l'APPAREIL A RAYONNEMENT X;
- au moins un profil de RAYONNEMENT PARASITE dans la ZONE SIGNIFICATIVE D'OCCUPATION par rapport à la hauteur au-dessus du sol, dans les conditions de fonctionnement représentatives indiquées. Un profil au moins doit contenir le point avec le niveau de dose le plus élevé. Un exemple d'une telle présentation donné à la Figure 1;
- si des DISPOSITIFS DE PROTECTION amovibles sont spécifiés pour être utilisés avec les APPAREILS A RAYONNEMENT X, des informations sur leur efficacité avec des informations appropriées concernant leur application et leur utilisation;

- des détails sur le montage d'essai utilisé;
- des instructions pour obtenir les PARAMETRES DE CHARGE utilisés pour les essais, si ceux-ci sont commandés uniquement par un SYSTEME DE COMMANDE AUTOMATIQUE.

*La vérification est effectuée par examen de L'APPAREIL et par examen des instructions d'utilisation.*

### **13.5 Poignées et dispositifs de commande**

Les APPAREILS A RAYONNEMENT X doivent être conçus et construits de manière à ce que les poignées et les dispositifs de commande utilisés pendant l'APPLICATION DE LA CHARGE ne soient pas placés dans les FAISCEAU DE RAYONNEMENT X.

*La vérification est effectuée par examen de l'APPAREIL.*

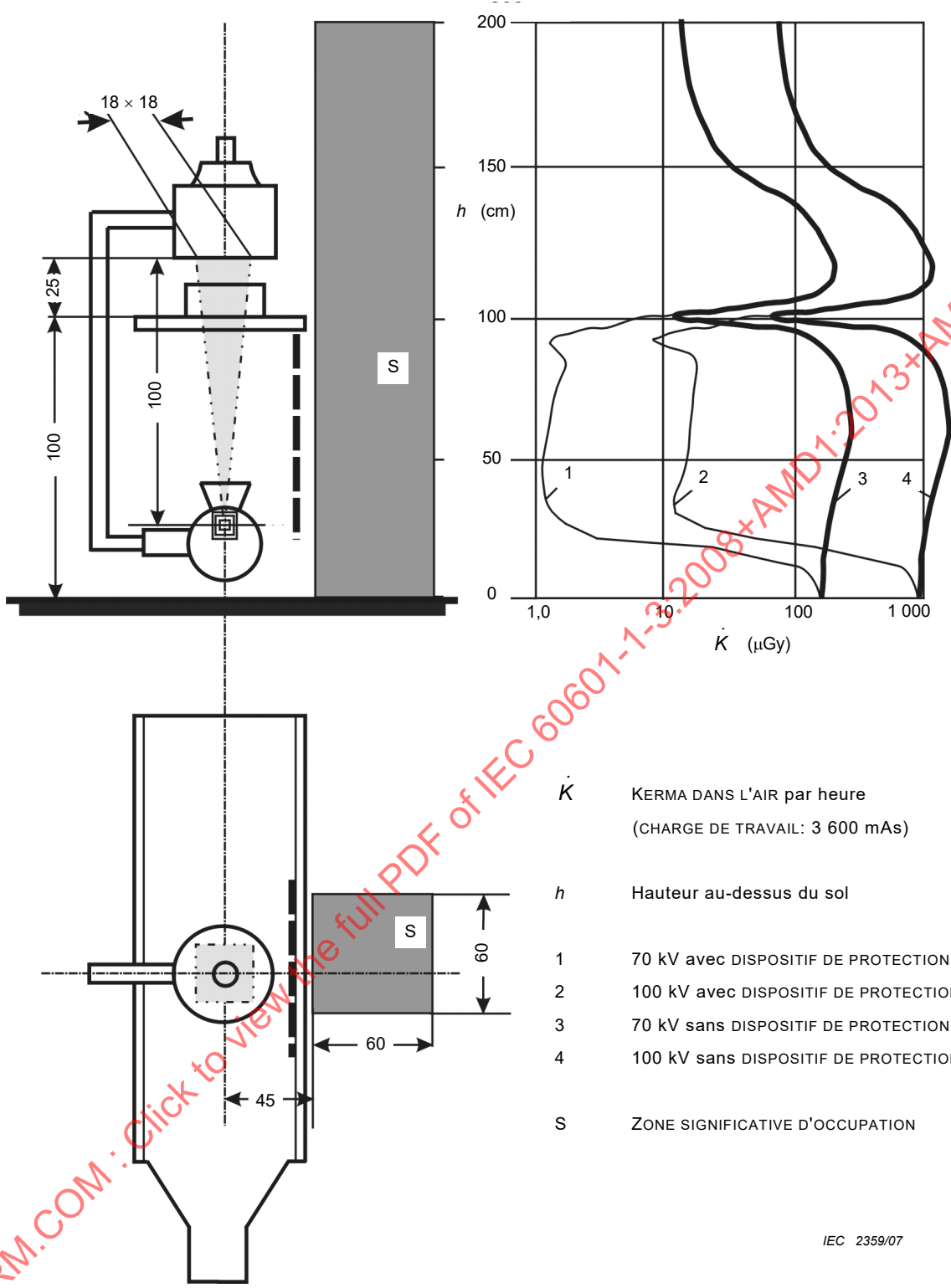
### **13.6 \* Essai concernant le RAYONNEMENT PARASITE**

*Utiliser la procédure d'essai suivante pour déterminer les niveaux des RAYONNEMENTS PARASITES:*

- a) utiliser un FANTOME d'eau équivalent de taille et de dimensions équivalentes à la partie irradiée du PATIENT type pour chaque UTILISATION PREVUE;*
- b) les essais doivent être réalisés avec les orientations représentatives du FAISCEAU DE RAYONNEMENT X pour l'UTILISATION PREVUE;*
- c) les mesures doivent être effectuées au moins à la HAUTE TENSION RADIOGENE maximale spécifiée pour l'UTILISATION PREVUE;*
- d) utiliser une FILTRATION TOTALE minimale pouvant être choisie compatible avec la HAUTE TENSION RADIOGENE spécifiée pour l'UTILISATION PREVUE;*
- e) utiliser soit la RADIOSCOPIE à une valeur appropriée du COURANT DANS LE TUBE RADIOGENE soit la RADIOGRAPHIE à une valeur appropriée du PRODUIT COURANT TEMPS.*

NOTE Si les PARAMETRES DE CHARGE peuvent être réglés uniquement par un SYSTEME DE COMMANDE AUTOMATIQUE, suivre la procédure décrite dans les DOCUMENTS D'ACCOMPAGNEMENT pour obtenir les PARAMETRES DE CHARGE exigés. Dans le cas contraire, utiliser les moyens manuels de réglage fournis.

- f) réaliser les mesures du KERMA DANS L'AIR ou du DEBIT DE KERMA DANS L'AIR aux emplacements désignés;*
- g) les VALEURS MESUREES DU KERMA DANS L'AIR doivent être moyennées sur un volume de 500 cm<sup>3</sup> sans dimension linéaire principale supérieure à 20 cm;*
- h) effectuer tous les réglages nécessaires des valeurs pour tenir compte des moyennes permises sur les surfaces, comme cela est décrit en g);*
- i) aligner les VALEURS MESUREES aux PARAMETRES DE CHARGE réellement utilisés, sur les valeurs du KERMA DANS L'AIR pendant une heure correspondant aux conditions de référence de l'APPLICATION DE LA CHARGE indiquée dans les DOCUMENTS D'ACCOMPAGNEMENT, conformément à 12.3.*



IEC 2359/07

Figure 1 – Exemple de présentation des données concernant le RAYONNEMENT PARASITE

## **Annexe A** (informative)

### **Guide général et justifications**

#### **A.1 Guide général**

La présente annexe donne des justifications concises aux exigences majeures de la présente norme collatérale. Elle est destinée à promouvoir l'application efficace de la norme collatérale en expliquant les raisons des exigences et en donnant des lignes directrices complémentaires le cas échéant.

#### **A.2 Justifications pour les articles et paragraphes particuliers**

On trouvera ci-dessous les justifications des articles et paragraphes spécifiques de la présente norme collatérale, les numéros des articles et des paragraphes correspondant à ceux utilisés dans le corps de la norme.

##### **Paragraphe 5.2.4.5 – Effets déterministes (ICRP60)[17]**

Des effets déterministes peuvent apparaître lorsque la dose de RAYONNEMENT appliquée à un certain organe ou tissu dépasse un seuil spécifique. Les organes et les tissus concernés dans la RADIOLOGIE de diagnostic sont la peau et le cristallin de l'œil. La valeur numérique du seuil de dose est comprise entre 1 Gy et 3 Gy.

##### **Paragraphe 8.5.2 – DISTANCE FOYER-RECEPTEUR D'IMAGE**

La non-reproductibilité admissible de la DISTANCE FOYER-RECEPTEUR D'IMAGE et sa non-linéarité admissible sur une gamme indiquée sont limitées par la nécessité de satisfaire aux autres exigences pour les dimensions du CHAMP DE RAYONNEMENT X et sa correspondance avec la SURFACE RECEPTRICE DE L'IMAGE, dans la mesure où elles sont soumises aux essais, le cas échéant, aux réglages indiqués de la DISTANCE FOYER RECEPTEUR D'IMAGE.

##### **Article 12 – Protection contre le RAYONNEMENT DE FUITE**

La présente norme collatérale utilise la grandeur KERMA DANS L'AIR pour tous les usages. Pour certaines situations, par exemple RAYONNEMENT DE FUITE et RAYONNEMENT PARASITE dans les ZONES SIGNIFICATIVES D'OCCUPATION, l'EQUIVALENT DE DOSE AMBIANT semble plus approprié car cette grandeur est plus directement liée à la dose effective. Toutefois, il a été décidé ici d'utiliser seulement la grandeur KERMA DANS L'AIR dans la perspective du risque de confusion provenant de la référence à deux grandeurs différentes et parce que la mesure de l'EQUIVALENT DE DOSE AMBIANT est plus complexe. On peut également noter que les valeurs numériques de ces deux grandeurs diffèrent seulement par des facteurs compris entre 1 et 1,7 pour les énergies de rayonnement X concernées et on peut faire des estimations de l'EQUIVALENT DE DOSE AMBIANT avec une exactitude suffisante fondée sur les conditions d'IRRADIATION et les valeurs de KERMA DANS L'AIR mesurées.

##### **Paragraphe 13.4 – ZONES SIGNIFICATIVES D'OCCUPATION désignées**

Pour les examens RADIOLOGIQUES qui nécessitent la présence de l'OPERATEUR ou de l'équipe médicale à proximité du PATIENT pendant l'APPLICATION DE LA CHARGE, une contribution significative au RAYONNEMENT PARASITE totale qui peut être rencontrée par ces personnes est souvent déclenchée par le RAYONNEMENT DIFFUSE par le PATIENT et par d'autres objets dans le FAISCEAU DE RAYONNEMENT X. La marge d'action pour assurer une protection efficace contre ce phénomène est limitée par la nécessité d'éviter une réduction indue des procédures de diagnostic concernées.

La connaissance des niveaux de RAYONNEMENT PARASITE dans les ZONES SIGNIFICATIVES D'OCCUPATION est essentielle pour déterminer des pratiques de travail sûres. Dans cet article, des recommandations sont faites pour la détermination et la présentation des informations sur les niveaux du RAYONNEMENT PARASITE.

#### **Paragraphe 13.6 – Essai concernant le RAYONNEMENT PARASITE**

La méthode d'essai de base doit consister à réaliser des mesures du DEBIT DE KERMA DANS L'AIR dans la ZONE SIGNIFICATIVE D'OCCUPATION, en utilisant un FANTOME approprié pour représenter la présence d'un PATIENT. Ces mesures sont réalisées à des valeurs appropriées de la HAUTE TENSION RADIOGENE pour lesquelles l'information doit être indiquée et à des valeurs pratiques de COURANT DANS LE TUBE RADIOGENE ou de PRODUIT COURANT TEMPS, dans les limites des caractéristiques de l'ENSEMBLE RADIOGENE A RAYONNEMENT X concerné. Les mesures sont ensuite alignées sur un PRODUIT COURANT TEMPS représentant une CHARGE DE TRAVAIL en une heure et indiquées en termes de KERMA DANS L'AIR dans cette période, en fonction de la hauteur au-dessus du plafond. Des lignes directrices sont données concernant les montages et les paramètres d'essai adaptés.

## Annexe B (informative)

### Valeurs des séries R'10 et R'20, ISO 497

Les valeurs qui doivent être utilisées selon 6.3 pour la sélection manuelle des PARAMETRES DE CHARGE ayant une relation essentiellement proportionnelle avec la quantité de RAYONNEMENT reçu, doivent être choisies parmi les multiples et sous-multiples décimaux des valeurs arrondies suivantes des séries R'10 et R'20.

Tableau B.1 – Valeurs des séries R'10 et R'20, ISO 497

Valeurs calculées	R'10	R'20
1,0000	1,00	1,00
1,1220	–	1,10
1,2589	1,25	1,25
1,4125	–	1,40
1,5849	1,60	1,60
1,7783	–	1,80
1,9953	2,00	2,00
2,2387	–	2,20
2,5119	2,50	2,50
2,8184	–	2,80
3,1623	3,20	3,20
3,5481	–	3,60
3,9811	4,00	4,00
4,4668	–	4,50
5,0119	5,00	5,00
5,6234	–	5,60
6,3096	6,30	6,30
7,0795	–	7,10
7,9433	8,00	8,00
8,9125	–	9,00

## Annexe C (informative)

### Correspondance entre la présente Edition 2 de l'IEC 60601-1-3 et l'Edition 1

<b>Edition 2</b>	<b>Edition 1</b>	<b>Titre</b>
Avant-propos	2.204	Degrés d'exigences et termes divers
1	1	Domaine d'application, objet et normes connexes
1.1	1.201	Domaine d'application
1.2	1.202	Objet
1.3	1.203	Relations avec les autres normes
2	n.a.	Références normatives
3	2	Termes et définitions
Une partie de 3	2.205	Grandeurs et unités de RAYONNEMENT
4	n.a.	Exigences générales
4.1	4.201.1	Déclaration de conformité
4.2	2.203	Composition des matériaux de référence
5	6	Identification, marquage et documentation des APPAREILS EM
5.1	6.1	Marquage sur l'extérieur des APPAREILS EM ou des parties d'APPAREIL EM
5.1.1	6.1.202	Généralités
5.1.2	6.1.201	Exigences de marquage dans les paragraphes
5.2	6.8	DOCUMENTS D'ACCOMPAGNEMENT
5.2.1	6.8.201	Références dans les paragraphes
5.2.2	n.a.	Étalonnage dosimétrique
5.2.3	6.8.202	Exigences générales pour la référence des sous-ensembles et des ACCESSOIRES
5.2.4	n.a.	Instructions d'utilisation
6	n.a.	Gestion des rayonnements
6.1	Note	Généralités
6.2	n.a.	Déclenchement et arrêt de l'IRRADIATION
6.3	n.a.	Dose de RAYONNEMENT et QUALITE DE RAYONNEMENT
6.4	n.a.	Indication des états de fonctionnement
6.5	n.a.	SYSTEME DE COMMANDE AUTOMATIQUE
6.6	n.a.	Réduction du RAYONNEMENT DIFFUSE
6.7	n.a.	Performance d'imagerie
7	29.201	QUALITE DE RAYONNEMENT
7.1	29.201.2 et 29.201.5	COUCHES DE DEMI-TRANSMISSION et FILTRATION TOTALE dans les APPAREILS A RAYONNEMENT X
7.2	n.a.	Forme d'onde de la HAUTE TENSION RADIOGENE
7.3	29.201.6	Indication des propriétés du FILTRE
7.4	29.201.7	Essai de FILTRATION par des matériaux inamovibles
7.5	29.201.8	Essai concernant les FILTRES ADDITIONNELS et les matériaux
7.6	29.201.9	Essai de la COUCHE DE DEMI-TRANSMISSION
8	29.202	Limitation de l'étendue du FAISCEAU DE RAYONNEMENT X et relation entre FAISCEAU DE RAYONNEMENT X et SURFACE RECEPTRICE DE L'IMAGE
8.1	Note	Généralités
8.2	29.202.1	Enveloppe des TUBES RADIOGENES
8.3	29.202.2	DIAPHRAGME de limitation dans les GAINES EQUIPEES
8.4	29.202.3	Confinement du RAYONNEMENT EXTRA-FOCAL
8.5	29.203	Relation entre CHAMP DE RAYONNEMENT X et SURFACE RECEPTRICE DE L'IMAGE
8.5.1	Note	Généralités
8.5.2	29.203.2	DISTANCE FOYER-RECEPTEUR D'IMAGE



<b>Edition 2</b>	<b>Edition 1</b>	<b>Titre</b>
8.5.3	29.203.4	Correspondance entre CHAMP DE RAYONNEMENT X et SURFACE RECEPTRICE DE L'IMAGE
8.5.4	n.a.	Positionnement du PATIENT <b>et restriction de la zone irradiée</b>
9	29.205	DISTANCE FOYER-PEAU
9.1	Note	Généralités
9.2	29.205.3	Informations dans les DOCUMENTS D'ACCOMPAGNEMENT
10	29.206	ATTENUATION du FAISCEAU A RAYONNEMENT X entre le PATIENT et le RECEPTEUR D'IMAGE RADIOLOGIQUE
10.1	Note	Généralités
10.2	29.206.2	Informations dans les DOCUMENTS D'ACCOMPAGNEMENT
11	29.207	Protection contre le RAYONNEMENT RESIDUEL
12	29.204	Protection contre le RAYONNEMENT DE FUITE
12.1	Note	Généralités
12.2	29.204.1	Montage des ENSEMBLES RADIOGENES A RAYONNEMENT X et DISPOSITIONS DE FORMATION DE L'IMAGE PAR RAYONNEMENT
12.3	29.204.2	Indication des conditions D'APPLICATION DE CHARGE de référence
12.4	29.204.3	RAYONNEMENT DE FUITE en CHARGE
12.5	29.204.5	RAYONNEMENT DE FUITE hors CHARGE
13	29.208	Protection contre les RAYONNEMENTS PARASITES
13.1	Note	Généralités
13.2	29.208.2	Commande à partir d'une ZONE PROTEGEE
13.3	29.208.1	Protection par la distance
13.4	29.208.3	ZONES SIGNIFICATIVES D'OCCUPATION désignées
13.5	29.208.5	Poignées et dispositifs de commande
13.6	29.208.6	Essai concernant le RAYONNEMENT PARASITE
n.a.	Annexe CCC	Références normatives des DOCUMENTS D'ACCOMPAGNEMENT, des instructions d'utilisation et des INSTRUCTIONS DE MONTAGE
Annexe A	n.a	Guide général et justifications
Annexe B	n.a.	Valeurs des séries R'10 et R'20, ISO 497
Annexe C	n.a.	Correspondance entre la présente Edition 2 de l'IEC 60601-1-3 et l'Edition1
	n.a.	Bibliographie

## Bibliographie

IEC sous <http://www.iec.ch/>

ISO sous <http://www.iso.ch/iso/en/ISOOnline.frontpage>

- [1] IEC 60601-2-7:1998, *Appareils électromédicaux – Partie 2-7: Règles particulières de sécurité pour générateurs radiographiques de groupes radiogènes de diagnostic*
- [2] IEC 60601-2-28:1993, *Appareils électromédicaux – Partie 2: Règles particulières de sécurité pour les ensembles radiogènes à rayonnement X et les gaines équipées pour diagnostic médical*
- [3] IEC 60601-2-29:1999, *Appareils électromédicaux – Partie 2-29: Règles particulières de sécurité pour les simulateurs de radiothérapie*
- [4] IEC 60601-2-32:1994, *Appareils électromédicaux – Partie 2: Règles particulières de sécurité pour les équipements associés aux équipements à rayonnement X*
- [5] IEC 60601-2-43:2000, *Appareils électromédicaux – Partie 2-43: Règles particulières de sécurité pour les appareils radiologiques lors d'interventions*
- [6] IEC 60601-2-44:2001, *Appareils électromédicaux – Partie 2-44: Règles particulières de sécurité pour les équipements à rayonnement X de tomodensitométrie<sup>2)</sup>*  
Amendement 1 (2002)
- [7] IEC 60601-2-45:2001, *Appareils électromédicaux – Partie 2-45: Règles particulières de sécurité pour les appareils de radiographie mammaire et les appareils de mammographie stéréotaxiques*
- [8] IEC 60580:2000, *Appareils électromédicaux – Radimètres de produit exposition-surface*
- [9] IEC 60627:2001, *Équipements de diagnostic par imagerie à rayonnement X – Caractéristiques des grilles antidiffusantes d'usage général et de mammographie*
- [10] IEC 60878, *Symboles graphiques des équipements électriques en pratique médicale*
- [11] IEC 61262 (toutes les parties), *Appareils électromédicaux – Caractéristiques des intensificateurs électro-optiques d'image radiologique*
- [12] IEC 62220 (toutes les parties), *Appareils électromédicaux – Caractéristiques des dispositifs d'imagerie numérique à rayonnement X*
- [13] IEC 62220-1:2003, *Appareils électromédicaux – Caractéristiques des dispositifs d'imagerie numérique à rayonnement X – Détermination de l'efficacité quantique de détection*
- [14] ISO 7004:2002 *Photographie – Films pour radiographie industrielle – Détermination de la sensibilité ISO, du contraste moyen ISO et des contrastes ISO G2 et G4 après exposition à des rayons X ou gamma*
- [15] ICRP Publication 33: *Protection against ionizing radiation from external sources used in medicine (Annals of the ICRP Vol. 9 No. 1, 1982). Published by Pergamon Press*

---

2) Il existe une édition consolidée 2.1, comprenant l'IEC 60601-2-44:2001 et son Amendement 1 (2002)

- [16] ICRP Publication 34: *Protection of the patient in diagnostic radiology (Annals of the ICRP Vol. 9 No. 213, 1982). Published by Pergamon Press*
  
- [17] ICRP Publication 60:1990 *Recommendations of the International Commission on Radiological Protection (Annals of the ICRP Vol. 21 No. 1-3, 1991). Published by Pergamon Press*
  
- [18] ICRP Publication 73: *Radiological protection and safety in medicine (Annals of the ICRP Vol. 26 No. 2, 1996). Published by Pergamon Press*
  
- [19] ICRU Report 51: *Quantities and Units in Radiation Protection Dosimetry (1993)*
  
- [20] ICRU Report 60: *Fundamental Quantities and Units for Ionizing Radiation (1998)*
  
- [21] ICRP Publication 85: *Avoidance of Radiation Injuries from Medical Interventional Procedures (Annals of the ICRP Vol 30 No.2, 2000) Published by Pergamon Press*
  
- [22] ICRP Publication 87: *Managing Patient Dose in Computed Tomography. (Annals of the ICRP Vol 30 No.4, 2000) Published by Pergamon Press*
  
- [23] ICRP Publication 93: *Managing Dose in Digital Radiology. (Annals of the ICRP Vol 34 No.1, 2004) Published by Elsevier*
  
- [24] ICRU Report 74: *Patient dosimetry for x-rays used in medical imaging (2005), Published by Oxford University Press, Oxford*

## Index des termes définis dans la présente norme collatérale

<b>Terme défini</b>	<b>Défini en</b>
DOSE ABSORBÉE	IEC 60788:2004, rm-13-08
ABSORPTION	IEC 60788:2004, rm-12-05
SURFACE ACCESSIBLE	3.1
DOCUMENTS D'ACCOMPAGNEMENT	IEC 60601-1:2005, 3.4
FOYER ELECTRONIQUE	IEC 60788:2004, rm-20-12
FILTRE ADDITIONNEL	3.2
FILTRATION ADDITIONNELLE	3.3
KERMA DANS L'AIR	3.4
DEBIT DE KERMA DANS L'AIR	3.5
ACCESSOIRE	IEC 60601-1:2005, 3.3
EQUIVALENT DE DOSE AMBIANT	3.6
ANODE	IEC 60788:2004, rm-22-06
PUISSANCE ANODIQUE	IEC 60788:2004, rm-36-22
EQUIPEMENT ASSOCIE	IEC 60788:2004, rm-30-01
ATTENUATION	3.7
EQUIVALENT D'ATTENUATION	3.8
SYSTEME DE COMMANDE AUTOMATIQUE	3.9
COMMANDE AUTOMATIQUE D'EXPOSITION	3.10
SECURITE DE BASE	IEC 60601-1:2005, 3.10
LIMITEUR DE FAISCEAU	3.11
SYSTEME DE LIMITATION DU FAISCEAU	3.12
CATHODE	IEC 60788:2004, rm-22-05
PUISSANCE ANODIQUE CONTINUE	3.13
POSTE DE COMMANDE	3.14
ZONE CONTROLEE	3.15
FACTEURS DE CORRECTION	IEC 60788:2004, rm-73-14
PRODUIT COURANT TEMPS	3.16
DIAPHRAGME	3.17
DISPOSITIF D'IMAGERIE NUMERIQUE A RAYONNEMENT X	IEC 62220-1:2003, 3.5
PRODUIT DOSE SURFACE	IEC 60788:2004, rm-13-54
EQUIVALENT DE DOSE	3.18
FILTRE SELECTIF	3.19
FOYER OPTIQUE	IEC 60788:2004, rm-20-13
SURFACE RECEPTRICE DE L'IMAGE EFFICACE	3.20
ELECTRON	IEC 60788:2004, rm-11-18
SURFACE D'ENTREE	3.21
APPAREILS	IEC 60601-1:2005, 3.63
PERFORMANCE ESSENTIELLE	IEC 60601-1:2005+A1:2012, 3.27
RAYONNEMENT EXTRA-FOCAL	3.22
FILTRE	3.23
FILTRATION	3.24

IECNORM.COM: Click to view the full PDF of IEC 60601-1-3:2008+AMD1:2013+AMD2:2021 CSV

**Terme défini**

FOYER  
DISTANCE FOYER-RECEPTEUR D'IMAGE  
DISTANCE FOYER-PEAU  
COUCHE DE DEMI-TRANSMISSION  
GENERATEUR RADIOLOGIQUE  
DISPOSITIF D'AFFICHAGE DE L'IMAGE  
SURFACE RECEPTRICE DE L'IMAGE  
VALEUR INDIQUEE  
UTILISATION PREVUE  
  
RAYONNEMENT IONISANT  
IRRADIATION  
COMMANDE D'IRRADIATION  
TEMPS D'IRRADIATION  
RAYONNEMENT DE FUITE  
APPLICATION D'UNE CHARGE  
PARAMETRE DE CHARGE  
EN CHARGE  
TEMPS DE CHARGE  
FABRICANT  
  
VALEUR MESUREE  
RADIO DIAGNOSTIC  
APPAREIL ELECTROMEDICAL (APPAREIL EM)  
SYSTEME ELECTROMEDICAL (SYSTEME EM)  
RADIOLOGIE MEDICALE  
MODE DE FONCTIONNEMENT  
FAISCEAU ETROIT  
CONDITION DE FAISCEAU ETROIT  
HAUTE TENSION NOMINALE  
UTILISATION NORMALE  
  
OPERATEUR  
PATIENT  
POINT DE REFERENCE D'ENTREE PATIENT  
TAUX D'OSCILLATION  
FILTRATION PERMANENTE  
FANTOME  
SOURCE PONCTUELLE  
BARRIERE DE PROTECTION CONTRE LE FAISCEAU  
ZONE PROTEGEE  
ECRAN DE PROTECTION RADIOLOGIQUE  
DISPOSITIF DE PROTECTION RADIOLOGIQUE  
BARRIERE DE PROTECTION RADIOLOGIQUE  
FILTRATION DE QUALITE EQUIVALENTE

**Défini en**

IEC 60788:2004, rm-20-13s  
3.25  
3.26  
3.27  
IEC 60788:2004, rm-21-01  
IEC 60788:2004, rm-80-08  
3.28  
IEC 60788:2004, rm-73-10  
IEC 60601-1:2005+A1:2012  
+A2:2020, 3.44  
3.29  
3.30  
3.31  
3.32  
3.33  
3.34  
3.35  
3.36  
3.37  
IEC 60601-1:2005+A1:2012  
+A2:2020, 3.55  
3.38  
IEC 60788:2004, rm 40-04  
IEC 60601-1:2005, 3.63  
IEC 60601-1:2005, 3.64  
3.39  
3.40  
IEC 60788:2004, rm-37-22  
3.41  
3.42  
IEC 60601-1:2005+A1:2012,  
3.71  
IEC 60601-1:2005, 3.73  
IEC 60601-1:2005+A1:2012,  
3.76  
3.43  
3.44  
3.45  
3.46  
IEC 60788:2004, rm-34-36  
3.47  
3.48  
3.49  
3.50  
3.51  
3.52

IECNORM.COM : Click to view the full PDF of IEC 60601-1-3:2008+AMD1:2013+AMD2:2021 CSV

**Terme défini**

**Défini en**

RAYONNEMENT	3.53
FENETRE	3.54
FAISCEAU DE RAYONNEMENT	3.55
CONDITION DE RAYONNEMENT	3.56
DETECTEUR DE RAYONNEMENT	3.57
ENERGIE DE RAYONNEMENT	IEC 60788:2004, rm-13-29
CHAMP DE RAYONNEMENT	3.58
RADIOPROTECTION	3.59
QUALITE DE RAYONNEMENT	3.60
GRANDEUR LIEE AU RAYONNEMENT	IEC 60788:2004, rm-13-01
SOURCE DE RAYONNEMENT	3.61
ENSEMBLE RADIOGENE	3.62
ABAQUE RADIOGRAPHIQUE	3.63
RADIOGRAPHIE	3.64
RADIOLOGIQUE	3.65
IMAGE RADIOLOGIQUE	3.66
INSTALLATION RADIOLOGIQUE	3.67
RADIOLOGIE	3.68
RADIOSCOPIE	3.69
PRET	IEC 60788:2004, rm 84-05
KERMA DANS L'AIR DE REFERENCE	3.70
DEBIT DE KERMA DANS L'AIR DE REFERENCE	3.71
AXE DE REFERENCE	IEC 60788:2004, rm-37-03
DIRECTION DE REFERENCE	IEC 60788:2004
PLAN DE REFERENCE	IEC 60788:2004, rm-37-04
RAYONNEMENT RESIDUEL	3.72
ORGANISME RESPONSABLE	IEC 60601-1:2005, 3.101
RISQUE	IEC 60601-1:2005+A1:2012, 3.102
GESTION DES RISQUES	IEC 60601-1:2005+A1:2012 +A2:2020, 3.107
DOSSIER DE GESTION DES RISQUES	IEC 60601-1:2005+A1:2012, 3.108
RAYONNEMENT DIFFUSE	3.73
ZONE SIGNIFICATIVE D'OCCUPATION	3.74
CONDITION DE PREMIER DEFAUT	IEC 60601-1:2005+A1:2012, 3.116
RAYONNEMENT PARASITE	3.75
BARRIERE STRUCTURALE DE PROTECTION RADIOLOGIQUE	3.76
CIBLE	IEC 60788:2004, rm-20-08
FILTRATION TOTALE	3.77
TRANSFERT	IEC 60788:2004, rm-84-02
VALEUR VRAIE	IEC 60788:2004, rm-73-07
ESSAI DE TYPE	IEC 60601-1:2005, 3.135
CHARGE DE TRAVAIL	IEC 60788:2004, rm-61-03
RAYONNEMENT X	3.53

IECNORM.COM: Click to view the full PDF of IEC 60601-1-3:2008+AMD1:2013+AMD2:2021 CSV

**Terme défini**

FAISCEAU DE RAYONNEMENT X

AXE DU FAISCEAU DE RAYONNEMENT X

APPAREIL A RAYONNEMENT X

CHAMP DE RAYONNEMENT X

GROUPE RADIOGENE

DISPOSITION DE FORMATION DE L'IMAGE PAR RAYONNEMENT X

RECEPTEUR D'IMAGE RADIOLOGIQUE

IMAGE RADIOLOGIQUE POTENTIELLE

ENSEMBLE RADIOGENE

TUBE RADIOGENE

GAINE EQUIPEE

COURANT DANS LE TUBE RADIOGENE

GAINE

CHARGE DU TUBE RADIOGENE

HAUTE TENSION RADIOGENE

**Défini en**

3.55

IEC 60788:2004, rm-37-06

3.78

3.58

3.79

3.80

3.81

3.82

3.62

3.83

3.84

3.85

3.86

3.87

3.88

IECNORM.COM : Click to view the full PDF of IEC 60601-1-3:2008+AMD1:2013+AMD2:2021 CSV

IECNORM.COM : Click to view the full PDF of IEC 60601-1-3:2008+AMD1:2013+AMD2:2021 CSV

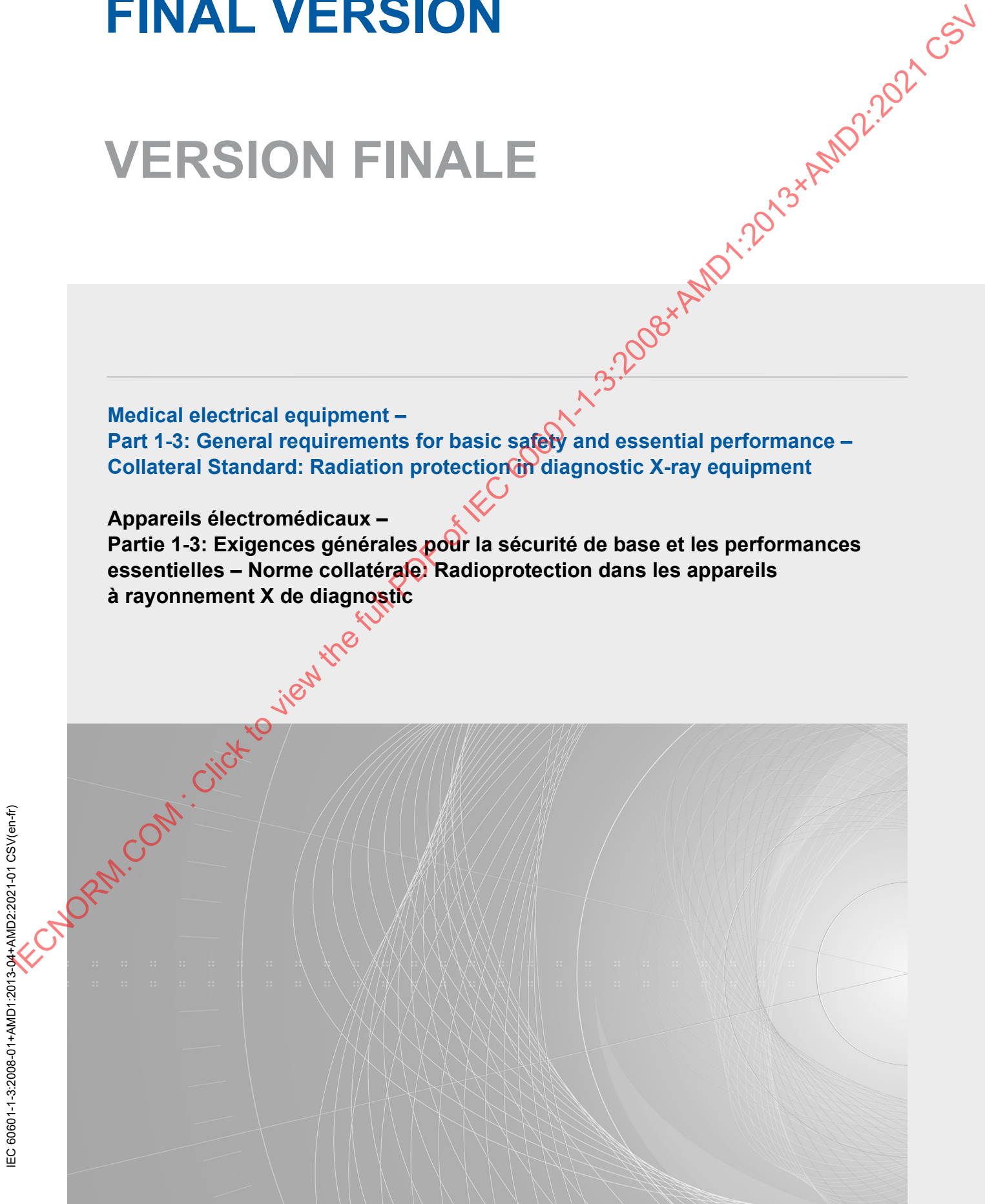


## FINAL VERSION

## VERSION FINALE

**Medical electrical equipment –  
Part 1-3: General requirements for basic safety and essential performance –  
Collateral Standard: Radiation protection in diagnostic X-ray equipment**

**Appareils électromédicaux –  
Partie 1-3: Exigences générales pour la sécurité de base et les performances  
essentielle – Norme collatérale: Radioprotection dans les appareils  
à rayonnement X de diagnostic**



## CONTENTS

FOREWORD.....	5
INTRODUCTION.....	8
INTRODUCTION to Amendment 1 .....	9
INTRODUCTION to Amendment 2 .....	9
1 Scope, object and related standards.....	10
1.1 Scope.....	10
1.2 Object .....	10
1.3 Related standards .....	10
1.3.1 IEC 60601-1 .....	10
1.3.2 Particular standards .....	10
2 Normative references .....	11
3 Terms and definitions .....	11
4 General requirements.....	21
4.1 Statement of compliance .....	21
4.2 Composition of reference materials .....	21
5 ME EQUIPMENT identification, marking and documents.....	21
5.1 Marking on the outside of ME EQUIPMENT or ME EQUIPMENT parts .....	21
5.1.1 General .....	21
5.1.2 Marking requirements in subclauses.....	21
5.2 ACCOMPANYING DOCUMENTS.....	21
5.2.1 References in subclauses.....	22
5.2.2 Dosimetric calibration .....	22
5.2.3 General requirements for the reference of subassemblies and ACCESSORIES.....	22
5.2.4 Instructions for use.....	23
6 RADIATION management.....	24
6.1 General.....	24
6.2 Initiation and termination of the IRRADIATION .....	25
6.2.1 Normal initiation and termination of the IRRADIATION.....	25
6.2.2 Safety measures against failure of normal termination of the IRRADIATION.....	25
6.3 RADIATION dose and RADIATION QUALITY.....	25
6.3.1 Adjustment of RADIATION dose and RADIATION QUALITY .....	25
6.3.2 Reproducibility of the RADIATION output .....	25
6.4 Indication of operational states.....	26
6.4.1 Indication of the X-RAY SOURCE ASSEMBLY selected .....	26
6.4.2 Indication of LOADING STATE .....	26
6.4.3 Indication of LOADING FACTORS and MODES OF OPERATION.....	26
6.4.4 Indication of automatic modes .....	26
6.4.5 Dosimetric indications.....	27
6.5 AUTOMATIC CONTROL SYSTEM .....	27
6.6 SCATTERED RADIATION reduction .....	27
6.7 Imaging performance.....	27
6.7.1 General .....	27
6.7.2 System performance.....	27
6.7.3 Nominal focal spot value.....	28

IECNORM.COM Click to view the full PDF of IEC 60601-1-3:2008+AMD1:2013+AMD2:2021 CSV

6.7.4	RADIATION DETECTOR or X-RAY IMAGE RECEPTOR .....	28
7	RADIATION QUALITY .....	28
7.1	HALF-VALUE LAYERS and TOTAL FILTRATION in X-RAY EQUIPMENT .....	28
7.2	Waveform of the X-RAY TUBE VOLTAGE .....	29
7.3	Indication of FILTER properties .....	29
7.4	Test for FILTRATION by irremovable materials .....	30
7.5	Test for ADDED FILTERS and materials.....	30
7.6	Test for HALF-VALUE LAYER .....	30
8	Limitation of the extent of the X-RAY BEAM and relationship between X-RAY FIELD and IMAGE RECEPTION AREA .....	30
8.1	General .....	30
8.2	Enclosure of X-RAY TUBES .....	30
8.3	Limiting DIAPHRAGM in X-RAY TUBE ASSEMBLIES .....	31
8.4	Confinement of EXTRA-FOCAL RADIATION .....	31
8.5	Relationship between X-RAY FIELD and IMAGE RECEPTION AREA .....	31
8.5.1	General .....	31
8.5.2	* FOCAL SPOT TO IMAGE RECEPTOR DISTANCE .....	31
8.5.3	Correspondence between X-RAY FIELD and EFFECTIVE IMAGE RECEPTION AREA .....	31
8.5.4	Positioning of the PATIENT and restriction of the irradiated area.....	32
9	FOCAL SPOT TO SKIN DISTANCE.....	32
9.1	General .....	32
9.2	Information in the ACCOMPANYING DOCUMENTS .....	32
10	ATTENUATION of the X-RAY BEAM between the PATIENT and the X-RAY IMAGE RECEPTOR .....	32
10.1	General .....	32
10.2	Information in the ACCOMPANYING DOCUMENTS .....	32
11	Protection against RESIDUAL RADIATION.....	33
12	* Protection against LEAKAGE RADIATION .....	33
12.1	General .....	33
12.2	Mounting of X-RAY SOURCE ASSEMBLIES and X-RAY IMAGING ARRANGEMENTS .....	33
12.3	Statement of reference LOADING conditions.....	34
12.4	LEAKAGE RADIATION in the LOADING STATE .....	34
12.5	LEAKAGE RADIATION when not in the LOADING STATE .....	35
13	Protection against STRAY RADIATION .....	35
13.1	General .....	35
13.2	Control of X-RAY EQUIPMENT from a PROTECTED AREA.....	35
13.3	Protection by distance .....	36
13.4	* Designated SIGNIFICANT ZONES OF OCCUPANCY .....	36
13.5	Handgrips and control devices .....	37
13.6	* Test for STRAY RADIATION .....	37
	Annex A (informative) General guidance and rationale.....	39
	Annex B (normative) Values of the series R'10 and R'20, ISO 497 .....	41
	Annex C (informative) Mapping between this Edition 2 of IEC 60601-1-3 and Edition 1 .....	42
	Bibliography.....	44
	Index of defined terms used in this collateral standard .....	46

Figure 1 – Example of presentation of data on STRAY RADIATION..... 38

Table 1 – Subclauses containing requirements for marking .....	21
Table 2 – Subclauses requiring statements in ACCOMPANYING DOCUMENTS .....	22
Table 3 – HALF-VALUE LAYERS in X-RAY EQUIPMENT .....	29
Table B.1 – Values of the series R'10 and R'20, ISO 497 .....	41

IECNORM.COM : Click to view the full PDF of IEC 60601-1-3:2008+AMD1:2013+AMD2:2021 CSV

INTERNATIONAL ELECTROTECHNICAL COMMISSION

---

**MEDICAL ELECTRICAL EQUIPMENT –**

**Part 1-3: General requirements for basic safety  
and essential performance –**

**Collateral Standard:  
Radiation protection in diagnostic X-ray equipment**

**FOREWORD**

- 1) The International Electrotechnical Commission (IEC) is a worldwide organization for standardization comprising all national electrotechnical committees (IEC National Committees). The object of IEC is to promote international co-operation on all questions concerning standardization in the electrical and electronic fields. To this end and in addition to other activities, IEC publishes International Standards, Technical Specifications, Technical Reports, Publicly Available Specifications (PAS) and Guides (hereafter referred to as "IEC Publication(s)"). Their preparation is entrusted to technical committees; any IEC National Committee interested in the subject dealt with may participate in this preparatory work. International, governmental and non-governmental organizations liaising with the IEC also participate in this preparation. IEC collaborates closely with the International Organization for Standardization (ISO) in accordance with conditions determined by agreement between the two organizations.
- 2) The formal decisions or agreements of IEC on technical matters express, as nearly as possible, an international consensus of opinion on the relevant subjects since each technical committee has representation from all interested IEC National Committees.
- 3) IEC Publications have the form of recommendations for international use and are accepted by IEC National Committees in that sense. While all reasonable efforts are made to ensure that the technical content of IEC Publications is accurate, IEC cannot be held responsible for the way in which they are used or for any misinterpretation by any end user.
- 4) In order to promote international uniformity, IEC National Committees undertake to apply IEC Publications transparently to the maximum extent possible in their national and regional publications. Any divergence between any IEC Publication and the corresponding national or regional publication shall be clearly indicated in the latter.
- 5) IEC provides no marking procedure to indicate its approval and cannot be rendered responsible for any equipment declared to be in conformity with an IEC Publication.
- 6) All users should ensure that they have the latest edition of this publication.
- 7) No liability shall attach to IEC or its directors, employees, servants or agents including individual experts and members of its technical committees and IEC National Committees for any personal injury, property damage or other damage of any nature whatsoever, whether direct or indirect, or for costs (including legal fees) and expenses arising out of the publication, use of, or reliance upon, this IEC Publication or any other IEC Publications.
- 8) Attention is drawn to the Normative references cited in this publication. Use of the referenced publications is indispensable for the correct application of this publication.
- 9) Attention is drawn to the possibility that some of the elements of this IEC Publication may be the subject of patent rights. IEC shall not be held responsible for identifying any or all such patent rights.

**This consolidated version of the official IEC Standard and its amendments has been prepared for user convenience.**

**IEC 60601-1-3 edition 2.2 contains the second edition (2008) [documents 62B/673/FDIS and 62B/683/RVD], its amendment 1 (2013) [documents 62B/895/CDV and 62B/907/RVC] and its amendment 2 (2021) [documents 62B/1176/CDV and 62B/1227/RVC].**

**This Final version does not show where the technical content is modified by amendment 1. A separate Redline version with all changes highlighted is available in this publication.**

International standard IEC 60601-1-3 has been prepared by IEC subcommittee 62B: Diagnostic imaging equipment, of IEC technical committee 62: Electrical equipment in medical practice.

This edition constitutes a collateral standard to IEC 60601-1: *Medical electrical equipment – Part 1: General requirements for basic safety and essential performance* hereafter referred to as the general standard.

This edition has been restructured and aligned to IEC 60601-1(2005) and focussed on general requirements for RADIATION PROTECTION that apply to all diagnostic X-RAY EQUIPMENT. Requirements particular to specific equipment have been removed and will be covered in particular standards. For a description of the changes, see the mapping in Annex C.

This publication has been drafted in accordance with the ISO/IEC Directives, Part 2.

In the 60601 series of publications, collateral standards specify general requirements for safety applicable to:

- a subgroup of MEDICAL ELECTRICAL EQUIPMENT (e.g. RADIOLOGICAL equipment); or
- a specific characteristic of all MEDICAL ELECTRICAL EQUIPMENT, not fully addressed in the general standard (e.g. alarm systems).

In this collateral standard, the following print types are used:

- requirements and definitions: roman type.
- *test specifications: italic type.*
- informative material appearing outside of tables, such as notes, examples and references: in smaller type. Normative text of tables is also in a smaller type.
- TERMS DEFINED IN CLAUSE 3 OF THE GENERAL STANDARD, IN THIS COLLATERAL STANDARD OR AS NOTED: SMALL CAPITALS.

In referring to the structure of this standard, the term

- “clause” means one of the thirteen numbered divisions within the table of contents, inclusive of all subdivisions (e.g. Clause 7 includes subclauses 7.1, 7.2, etc.);
- “subclause” means a numbered subdivision of a clause (e.g. 7.1, 7.2 and 7.2.1 are all subclauses of Clause 7).

References to clauses within this standard are preceded by the term “Clause” followed by the clause number. References to subclauses within this collateral standard are by number only.

In this standard, the conjunctive “or” is used as an “inclusive or” so a statement is true if any combination of the conditions is true.

The verbal forms used in this standard conform to usage described in Annex H of the ISO/IEC Directives, Part 2. For the purposes of this standard, the auxiliary verb:

- “shall” means that compliance with a requirement or a test is mandatory for compliance with this standard;
- “should” means that compliance with a requirement or a test is recommended but is not mandatory for compliance with this standard;
- “may” is used to describe a permissible way to achieve compliance with a requirement or test.

Clauses, subclauses and definitions for which a rationale is provided in informative Annex A are marked with an asterisk (\*).

A list of all parts of the IEC 60601 series, published under the general title *Medical electrical equipment*, can be found on the IEC website.

The committee has decided that the contents of the base publication and its amendments will remain unchanged until the maintenance result date indicated on the IEC website under "<http://webstore.iec.ch>" in the data related to the specific publication. At this date, the publication will be

- reconfirmed;
- withdrawn;
- replaced by a revised edition, or
- amended

IECNORM.COM : Click to view the full PDF of IEC 60601-1-3:2008+AMD1:2013+AMD2:2021 CSV

## INTRODUCTION

The requirements in this collateral Standard concern protective measures to be taken by the MANUFACTURER in the design and construction of medical diagnostic X-RAY EQUIPMENT and its subassemblies. They relate to the application of the X-RADIATION generated, both deliberately and incidentally, in fulfilling the medical purpose of the EQUIPMENT. Additional measures are necessary to regulate the generation processes themselves. These are described in the general requirements for safety, IEC 60601-1, and, where appropriate, in particular requirements for the EQUIPMENT concerned. The second edition of this collateral standard is focused on general requirements for RADIATION PROTECTION. The aim of the revision was to restrict to those requirements that apply to all diagnostic X-RAY EQUIPMENT. In consequence, most of the clauses have been reduced compared with the first edition of this standard, owing to the exclusion of content specific to projection RADIOGRAPHY and RADIOSCOPY. Implementation shall be considered in the RISK MANAGEMENT process or by using particular standards.

The recommended principles governing the use of RADIATION for medical purposes, as stated in Publication 60 of the International Commission on Radiological Protection (ICRP)[17]<sup>1)</sup>, Chapter 4, have been taken into account. The implementation of these principles is essentially determined in the prevailing circumstances at the point of use. It requires judgements to be made by the user and the establishment of measures and working practices part of which are connected with the construction of EQUIPMENT. The requirements in this collateral Standard are intended to be consistent with generally accepted good practice in the administration of X-RADIATION in medicine.

In some cases, the formulation of the requirements is deliberately designed to provide scope for accommodating local laws and regulations at the time of installation and commissioning. Several of the requirements include provisions for relevant technical information to be included in ACCOMPANYING DOCUMENTS.

RESPONSIBLE ORGANIZATIONS for medical diagnostic X-RAY EQUIPMENT should be aware that effective protection against IONIZING RADIATION requires the consideration of many aspects additional to the construction of the EQUIPMENT. Among these are the following:

- compatibility of components and correct installation of EQUIPMENT;
- the protective properties of rooms where X-RAY EQUIPMENT is installed;
- measures for monitoring and maintaining the safety and effectiveness of EQUIPMENT throughout its life, with particular attention to components that can deteriorate progressively with time and use;
- the need in appropriate circumstances for PROTECTIVE CLOTHING to be worn by staff and for suitable devices to be used to protect PATIENTS;
- the keeping of appropriate records concerning the usage of the EQUIPMENT and the results of tests, with systematic review and the application of corrective action when necessary;
- the training of staff in the principles of RADIATION PROTECTION and in the correct use of EQUIPMENT, including any PROTECTIVE DEVICES provided.

Further advice on these aspects can be found in ICRP Publications 33[15], 34[16], 60[17], 73[18], 85[21], 87[22] and 93[23].

Readers of this collateral standard are reminded that, in accordance with IEC 60601-1, Clause 5, all the test procedures described are TYPE TESTS, intended to be carried out in a dedicated testing environment in order to determine compliance. Tests to be carried out by MANUFACTURERS to ensure compliance during production or installation and tests for detecting non-compliance subsequently to delivery, are not included.

---

1) Figures in square brackets refer to the Bibliography.



## INTRODUCTION to Amendment 1

The purpose of the first amendment to IEC 60601-1-3:2008 is to introduce changes to reference the first amendment (2012) to IEC 60601-1:2005.

## INTRODUCTION to Amendment 2

The purpose of this second amendment to IEC 60601-1-3:2008 is to introduce changes to reference the second amendment (2020) to IEC 60601-1:2005.

IECNORM.COM : Click to view the full PDF of IEC 60601-1-3:2008+AMD1:2013+AMD2:2021 CSV

## MEDICAL ELECTRICAL EQUIPMENT –

### Part 1-3: General requirements for basic safety and essential performance – Collateral Standard: Radiation protection in diagnostic X-ray equipment

## 1 Scope, object and related standards

### 1.1 Scope

This International Standard applies to the BASIC SAFETY and ESSENTIAL PERFORMANCE of MEDICAL ELECTRICAL EQUIPMENT and MEDICAL ELECTRICAL SYSTEMS, hereafter referred to as ME EQUIPMENT and ME SYSTEMS.

This collateral standard applies to X-RAY EQUIPMENT and to subassemblies of such equipment, where RADIOLOGICAL IMAGES of a human PATIENT are used for diagnosis, planning or guidance of medical procedures.

### 1.2 Object

The object of this collateral standard is to specify general requirements that are in addition to those of the general standard and to serve as the basis for particular standards.

The object of this collateral standard is to establish general requirements for protection against X-RADIATION in X-RAY EQUIPMENT, in order that the IRRADIATION of the human PATIENT, the OPERATOR, staff and members of the public can be kept as low as reasonably achievable, without jeopardizing the benefit of the RADIOLOGICAL procedure. Particular standards may specify their appropriate values and/or measures for general requirements specified in this collateral standard. The implementation of the general requirements or the reference to the particular standard instead, shall be justified in the RISK MANAGEMENT process.

This collateral standard considers RADIATION PROTECTION aspects related to X-RADIATION only.

Requirements for the control of the electrical energy used to generate X-RADIATION, which is also an important aspect of RADIATION PROTECTION, are included in IEC 60601-1 and in particular standards for the safety and ESSENTIAL PERFORMANCE of the EQUIPMENT concerned.

### 1.3 Related standards

#### 1.3.1 IEC 60601-1

For ME EQUIPMENT and ME SYSTEMS, this collateral standard complements IEC 60601-1.

When referring to IEC 60601-1 or to this collateral standard, either individually or in combination, the following conventions are used:

- "the general standard" designates IEC 60601-1:2005+A1:2012+A2:2020;
- "this collateral standard" designates IEC 60601-1-3:2008+A1:2013+A2:2021;
- "this standard" designates the combination of the general standard and this collateral standard.

#### 1.3.2 Particular standards

A requirement in a particular standard takes priority over the corresponding requirement in this collateral standard.

## 2 Normative references

The following documents, in whole or in part, are normatively referenced in this document and are indispensable for its application. For dated references, only the edition cited applies. For undated references, the latest edition of the referenced document (including any amendments) applies.

IEC 60336, *Medical electrical equipment – X-ray tube assemblies for medical diagnosis- Characteristics of focal spots*

IEC 60522:1999, *Determination of the permanent filtration of X-ray tube assemblies*

IEC 60601-1:2005, *Medical electrical equipment – Part 1: General requirements for basic safety and essential performance*  
Amendment 1:2012  
Amendment 2:2020

IEC 60788:2004, *Medical electrical equipment – Glossary of defined terms*

ISO 497, *Guide to the choice of series of preferred numbers and of series containing more rounded values of preferred numbers*

## 3 Terms and definitions

For the purposes of this document, the terms and definitions given in IEC 60601-1:2005+A1:2012+A2:2020, IEC 60788:2004 and the following apply.

NOTE An index of defined terms is found beginning on page 46.

### 3.1

#### ACCESSIBLE SURFACE

surface of EQUIPMENT or of an EQUIPMENT part that can be easily or accidentally touched by persons without the use of a TOOL

### 3.2

#### ADDED FILTER

removable or irremovable FILTER positioned in the RADIATION BEAM to provide part or all of the ADDITIONAL FILTRATION

### 3.3

#### ADDITIONAL FILTRATION

QUALITY EQUIVALENT FILTRATION due to ADDED FILTERS and other removable materials in the RADIATION BEAM which are between the RADIATION SOURCE and the PATIENT or a specified plane

### 3.4

#### AIR KERMA

#### $K$

quotient of  $dE_{tr}$  by  $dm$ , where  $dE_{tr}$  is the sum of the initial kinetic energies of all the charged particles liberated by uncharged particles in a mass  $dm$  of air, thus

$$K = \frac{dE_{tr}}{dm}$$

Unit: J kg<sup>-1</sup>

The special name for the unit of AIR KERMA is gray (Gy) (ICRU 60) [20]

[IEC 60580:2000, definition 3.2, modified] [8]

**3.5****AIR KERMA RATE** $\dot{K}$ 

quotient of  $dK$  by  $dt$ , where  $dK$  is the increment of AIR KERMA in the time interval  $dt$ , thus

$$\dot{K} = \frac{dK}{dt}$$

Unit:  $\text{J kg}^{-1} \text{s}^{-1}$

If the special name gray is used, the unit of AIR KERMA RATE is gray per second ( $\text{Gy s}^{-1}$ ) (ICRU 60) [20]

[IEC 60580:2000, definition 3.3] [8]

**3.6****AMBIENT DOSE EQUIVALENT** $H^*(d)$ 

at a point in a RADIATION FIELD, the DOSE EQUIVALENT that would be produced by corresponding expanded and aligned field, in the ICRU sphere at a depth,  $d$ , on the radius opposing the direction of the aligned field

Unit:  $\text{J kg}^{-1}$

The special name for the unit of AMBIENT DOSE EQUIVALENT is sievert (Sv) (ICRU 51)[19]

**3.7****ATTENUATION**

reduction of a RADIATION QUANTITY upon passage of the RADIATION through matter resulting from all types of interaction with this matter

NOTE The RADIATION QUANTITY may be, for example, the particle flux density or the energy density. ATTENUATION does not include the geometric reduction of the RADIATION QUANTITY with distance from the RADIATION SOURCE.

**3.8****ATTENUATION EQUIVALENT** $\delta$ 

thickness of a layer of reference material which, if substituted for the material under consideration in a beam of specified RADIATION QUALITY and under specified geometrical conditions, gives the same degree of ATTENUATION. ATTENUATION EQUIVALENT is expressed in suitable submultiples of the metre together with the reference

**3.9****AUTOMATIC CONTROL SYSTEM**

in an X-RAY EQUIPMENT, system in which the control or limitation of the electric energy delivered to an X-RAY TUBE ASSEMBLY depends upon the measurement of one or more RADIATION QUANTITIES or corresponding physical quantities

**3.10****AUTOMATIC EXPOSURE CONTROL**

in an X-RAY EQUIPMENT, MODE OF OPERATION in which one or more LOADING FACTORS are controlled automatically in order to obtain at a pre-selected location a desired quantity of RADIATION

**3.11****BEAM LIMITING DEVICE**

device to limit the RADIATION FIELD

### 3.12

#### BEAM LIMITING SYSTEM

entirety of parts and their geometrical configuration contributing to the limitation of the RADIATION BEAM

### 3.13

#### CONTINUOUS ANODE INPUT POWER

specified highest ANODE INPUT POWER which can be applied to the ANODE continuously

Unit: W

### 3.14

#### CONTROL PANEL

part of EQUIPMENT for the purpose of controlling all, or some, of the functions of the EQUIPMENT. The CONTROL PANEL may contain devices for indicating and displaying operating factors

### 3.15

#### CONTROLLED AREA

defined area which is part of an area under surveillance and for which access, occupancy and working conditions are regulated and controlled in order to protect persons against IONIZING RADIATION

### 3.16

#### CURRENT TIME PRODUCT

in MEDICAL RADIOLOGY, quantity of electricity resulting from the LOADING of an X-RAY TUBE, expressed in milliamperere seconds, as the product of the mean X-RAY TUBE CURRENT in milliamperes and the duration of the LOADING in seconds

### 3.17

#### DIAPHRAGM

BEAM LIMITING DEVICE with either a fixed or an adjustable aperture in one plane

### 3.18

#### DOSE EQUIVALENT

*H*

is the product of *Q* and *D*, at a point in tissue, where *D* is the ABSORBED DOSE and *Q* is the quality factor at that point, thus

$$H = Q D.$$

Unit: J kg<sup>-1</sup>

The special name for the unit of DOSE EQUIVALENT is sievert (Sv) (ICRU 51)[19]

### 3.19

#### EDGE FILTER

FILTER whose ABSORPTION characteristic as a function of RADIATION ENERGY shows a discontinuity in the useful photon energy range

### 3.20

#### EFFECTIVE IMAGE RECEPTION AREA

part of the IMAGE RECEPTION AREA that is configured to receive an X-RAY PATTERN that can be processed for display or storage

NOTE 1 In accordance with this convention, the IMAGE RECEPTION AREA of a multi-field X-ray image intensifier tube is considered to be restricted by the selection of magnification modes, to exclude any portion of the input screen from which the X-RAY PATTERN is not electronically processed.

NOTE 2 For X-RAY EQUIPMENT based on scanning that varies the position for receiving an X-RAY PATTERN during the exposure, the EFFECTIVE IMAGE RECEPTION AREA at a certain time during the scan is the area of the image receptor that is receiving and processing an X-RAY PATTERN at that very moment.

### 3.21

#### ENTRANCE SURFACE

in RADIOLOGY, plane or curved surface through which the RADIATION enters an irradiated object

### 3.22

#### EXTRA-FOCAL RADIATION

in an X-RAY SOURCE ASSEMBLY, X-RADIATION emitted from the RADIATION SOURCE other than that emitted from the ACTUAL FOCAL SPOT

### 3.23

#### FILTER

in RADIOLOGICAL EQUIPMENT, material or device provided to effect FILTRATION of the RADIATION BEAM

### 3.24

#### FILTRATION

modification of characteristics of IONIZING RADIATION on passing through matter

NOTE FILTRATION may be:

- preferential ABSORPTION of certain components of polyenergetic X-RADIATION accompanying its ATTENUATION;
- a modification of the distribution of RADIATION intensity over the cross-section of a RADIATION BEAM

### 3.25

#### FOCAL SPOT TO IMAGE RECEPTOR DISTANCE

distance from the REFERENCE PLANE of an EFFECTIVE FOCAL SPOT to the point at which the REFERENCE AXIS intersects with the image receptor plane

### 3.26

#### FOCAL SPOT TO SKIN DISTANCE

in MEDICAL DIAGNOSTIC RADIOLOGY, distance from the REFERENCE PLANE of an EFFECTIVE FOCAL SPOT to a plane normal to the REFERENCE DIRECTION and containing the point on the PATIENT surface nearest to the RADIATION SOURCE

### 3.27

#### HALF-VALUE LAYER

thickness of a specified material, which attenuates under NARROW BEAM CONDITIONS X-RADIATION with a particular spectrum to an extent such that the AIR KERMA RATE, EXPOSURE RATE or ABSORBED DOSE rate is reduced to one half of the value that is measured without the material. The HALF-VALUE LAYER (HVL) is expressed in suitable submultiples of the metre together with the material.

### 3.28

#### IMAGE RECEPTION AREA

in RADIOLOGY, surface on which an X-RAY PATTERN is received

### 3.29

#### IONIZING RADIATION

RADIATION consisting of directly or indirectly ionizing particles or a mixture of both. By convention, ultraviolet radiation is excluded

### 3.30

#### IRRADIATION

exposing of a living being or matter to RADIATION. In RADIOLOGY, exposing of a living being or matter to IONIZING RADIATION

Thus: X-IRRADIATION

### 3.31

#### IRRADIATION SWITCH

in RADIOLOGICAL EQUIPMENT, control device provided to initiate and/or stop IRRADIATION

### 3.32

#### IRRADIATION TIME

duration of an IRRADIATION determined according to specific methods, usually the time a rate of a RADIATION QUANTITY exceeds a specified level

### 3.33

#### LEAKAGE RADIATION

IONIZING RADIATION which has passed through the PROTECTIVE SHIELDING of a RADIATION SOURCE as well as that which, for some types of X-RAY GENERATORS, has passed through the RADIATION APERTURE before and after LOADING (for example one containing a grid controlled X-RAY TUBE)

### 3.34

#### LOADING

in an X-RAY GENERATOR, act of supplying electrical energy to the ANODE of an X-RAY TUBE

### 3.35

#### LOADING FACTOR

factor influencing by its value the X-RAY TUBE LOAD, for example X-RAY TUBE CURRENT, LOADING TIME, CONTINUOUS ANODE INPUT POWER, X-RAY TUBE VOLTAGE and PERCENTAGE RIPPLE

### 3.36

#### LOADING STATE

for an X-RAY GENERATOR, state from the end of the READY STATE, when the intended function of the generator is initiated, until the end of the LOADING of the X-RAY TUBE

### 3.37

#### LOADING TIME

time determined according to a specific method, during which the ANODE INPUT POWER is applied to the X-RAY TUBE

### 3.38

#### MEASURED VALUE

estimate of the TRUE VALUE of a quantity, derived from the INDICATED VALUE of a meter after applying all relevant CORRECTION FACTORS

### 3.39

#### MEDICAL RADIOLOGY

branch of RADIOLOGY applied to human and veterinary medicine as well as to dentistry and chiropractic

### 3.40

#### MODE OF OPERATION

for X-RAY EQUIPMENT the technical state defined by a configuration of several predetermined LOADING FACTORS and other settings for RADIOLOGY or RADIOGRAPHY, selectable simultaneously by the operation of a single control

NOTE 1 Selection of a particular mode does not necessarily define the values of all the parameters affecting its use.

NOTE 2 Values defined by selection of a particular mode are not necessarily invariable during its use.

### 3.41

#### NARROW BEAM CONDITION

arrangement for the measurement of a RADIATION QUANTITY in a NARROW BEAM of IONIZING RADIATION

**3.42**

**NOMINAL X-RAY TUBE VOLTAGE**

highest permitted X-RAY TUBE VOLTAGE for specific operating conditions

**3.43**

**PATIENT ENTRANCE REFERENCE POINT**

point intended to represent the intersection of the X-RAY BEAM AXIS with the ENTRANCE SURFACE of the PATIENT

NOTE The geometries to be used for various X-RAY EQUIPMENT are given in the particular standards.

**3.44**

**PERCENTAGE RIPPLE**

for a HIGH-VOLTAGE GENERATOR, ratio of the difference between the highest and the lowest values of a rectified voltage waveform during a cycle of the supply to the highest value, expressed as a percentage

**3.45**

**PERMANENT FILTRATION**

the QUALITY EQUIVALENT FILTRATION effected in an X-RAY TUBE ASSEMBLY by permanently fixed materials intercepting the X-RAY BEAM, that are not intended to be removed for any application and are not provided with means for removal in NORMAL USE

**3.46**

**PHANTOM**

device intended to simulate parts of the PATIENT for test purposes

**3.47**

**PRIMARY PROTECTIVE SHIELDING**

PROTECTIVE SHIELDING for attenuating RESIDUAL RADIATION

**3.48**

**PROTECTED AREA**

defined area within an area under surveillance or within a CONTROLLED AREA which is protected by STRUCTURAL SHIELDING or by distance so that the resulting level of RADIATION is lower than the ambient level in the overall area of which it is a part

**3.49**

**PROTECTIVE BARRIER**

PROTECTIVE SHIELDING in the form of attenuating material provided for RADIOLOGICAL protection

**3.50**

**PROTECTIVE DEVICE**

in RADIOLOGY, device for the purpose of RADIOLOGICAL protection

Thus:

- PROTECTIVE CLOTHING:
- PROTECTIVE APRON;
  - PROTECTIVE SKIRT;
  - PROTECTIVE GLOVE;
  - PROTECTIVE GLASSES;
  - mobile PROTECTIVE BARRIER



### 3.51

#### PROTECTIVE SHIELDING

in RADIOLOGY, material that limits the extent of the RADIATION BEAM or attenuates STRAY RADIATION

NOTE PROTECTIVE SHIELDING may include materials provided for RADIOLOGICAL protection, or devices or materials provided for other purposes, which attenuate IONIZING RADIATION.

### 3.52

#### QUALITY EQUIVALENT FILTRATION

quantitative indication of the FILTRATION effected by one or several layer(s) of reference material(s) which, if substituted in a beam of specified RADIATION QUALITY under NARROW BEAM CONDITION for the material under consideration, give(s) the same RADIATION QUALITY as for the material under consideration. The QUALITY EQUIVALENT FILTRATION is expressed in suitable submultiples of the metre together with the reference material(s)

### 3.53

#### RADIATION

propagation of emitted energy through space or through a material medium in the form of waves or in the form of kinetic energy of particles

NOTE When unqualified, the term RADIATION usually refers to

- electromagnetic radiations according to frequency or origin such as: radiofrequency radiation, infra-red radiation, visible radiation (light), ultraviolet radiation, X-RADIATION, gamma radiation;
- corpuscular radiations according to particles or origin such as: alpha radiation, beta radiation, electron radiation, neutron radiation.

### 3.54

#### RADIATION APERTURE

aperture in the PROTECTIVE SHIELDING of a RADIATION SOURCE or in a BEAM LIMITING DEVICE, that is intended to give passage to the RADIATION BEAM

### 3.55

#### RADIATION BEAM

in RADIOLOGY, spatial region limited in solid angle and containing a flux of IONIZING RADIATION originating from a RADIATION SOURCE that is considered as a POINT SOURCE. LEAKAGE RADIATION and SCATTERED RADIATION are considered not to form a RADIATION BEAM.

Thus: X-RAY BEAM

### 3.56

#### RADIATION CONDITION

description of RADIATION FIELDS by a set of electrical and geometrical parameters such as X-RAY TUBE VOLTAGE, TOTAL FILTRATION and geometrical arrangements.

NOTE The term RADIATION CONDITION refers to a description of RADIATION FIELDS and not to a particular set-up for testing of EQUIPMENT.

### 3.57

#### RADIATION DETECTOR

EQUIPMENT, generally a sub-assembly or substance which, in the presence of RADIATION, provides by either direct or indirect means a signal or other indication suitable for use in measuring one or more quantities of the incident RADIATION

### 3.58

#### RADIATION FIELD

area on a surface intersected by a RADIATION BEAM within which the RADIATION intensity exceeds a specific or specified level.

Thus: X-RAY FIELD

### 3.59

#### RADIATION PROTECTION

limitation to an acceptable level of:

- RADIATION hazard;
- damage to material attributable to RADIATION.

### 3.60

#### RADIATION QUALITY

characteristic of IONIZING RADIATION determined by the spectral distribution of a RADIATION QUANTITY with respect to RADIATION ENERGY

NOTE For various purposes concerning X-RADIATION, practical approximations of RADIATION QUALITY are expressed in terms of variables such as:

- a) high voltage with PERCENTAGE RIPPLE and TOTAL FILTRATION;
- b) first HALF-VALUE LAYER for specified high voltage with its PERCENTAGE RIPPLE;
- c) first HALF-VALUE LAYER and TOTAL FILTRATION;
- d) the first HALF-VALUE LAYER and the quotient of the first HALF-VALUE LAYER by the second HALF-VALUE LAYER;
- e) equivalent energy.

### 3.61

#### RADIATION SOURCE

part of EQUIPMENT capable of emitting IONIZING RADIATION

### 3.62

#### RADIATION SOURCE ASSEMBLY

assembly of components comprising:

- the RADIATION SOURCE,
- the means providing protection against IONIZING RADIATION and, where applicable, against electric shock,
- the BEAM LIMITING SYSTEM.

Thus: X-RAY SOURCE ASSEMBLY

### 3.63

#### RADIOGRAPHIC RATING

for the operation of an X-RAY TUBE, specified combination of conditions and LOADING FACTORS, under which the specified limits of loadability of the X-RAY TUBE are attained

### 3.64

#### RADIOGRAPHY

technique for obtaining, recording and optionally processing directly or after TRANSFER, information contained in an X-RAY PATTERN at an IMAGE RECEPTION AREA intended to be analysed during a time independent from the IRRADIATION TIME

### 3.65

#### RADIOLOGICAL

referring to IONIZING RADIATION, its generation and application for scientific, medical and technical purposes

### 3.66

#### RADIOLOGICAL IMAGE

information obtained by using IONIZING RADIATION presented as an image suitable for medical diagnosis

### **3.67**

#### **RADIOLOGICAL INSTALLATION**

installed RADIOLOGICAL EQUIPMENT including all means for its intended operation

Thus: X-RAY INSTALLATION

### **3.68**

#### **RADIOLOGY**

science of IONIZING RADIATION and its application

### **3.69**

#### **RADIOSCOPY**

technique for obtaining continuously or periodically a sequence of X-RAY PATTERNS and presenting them directly or through a TRANSFER and optional processing simultaneously and continuously as visible images, intended to provide real-time guidance to an ongoing action

### **3.70**

#### **REFERENCE AIR KERMA**

AIR KERMA free in air in the primary X-RAY BEAM measured under specific conditions and expressed at the PATIENT ENTRANCE REFERENCE POINT

### **3.71**

#### **REFERENCE AIR KERMA RATE**

AIR KERMA RATE free in air in the primary X-RAY BEAM measured under specific conditions and expressed at the PATIENT ENTRANCE REFERENCE POINT

### **3.72**

#### **RESIDUAL RADIATION**

in MEDICAL RADIOLOGY, that part of the RADIATION BEAM which remains after having passed the plane of the IMAGE RECEPTION AREA and any relevant RADIATION measuring device

### **3.73**

#### **SCATTERED RADIATION**

IONIZING RADIATION emitted by interaction of IONIZING RADIATION with matter, the interaction being accompanied by a reduction in RADIATION ENERGY and/or by a change in direction of the RADIATION

### **3.74**

#### **SIGNIFICANT ZONE OF OCCUPANCY**

for X-RAY EQUIPMENT, zone with specified boundaries within an area under surveillance or within a CONTROLLED AREA, other than a PROTECTED AREA, that is significant because of the assumed need for persons to occupy it during IRRADIATION

### **3.75**

#### **STRAY RADIATION**

for IONIZING RADIATION, all RADIATION except that of the specified RADIATION BEAM under consideration, but including its RESIDUAL RADIATION

### **3.76**

#### **STRUCTURAL SHIELDING**

PROTECTIVE SHIELDING forming part of the building structure of a RADIOLOGICAL INSTALLATION

### **3.77**

#### **TOTAL FILTRATION**

the total of PERMANENT FILTRATION and ADDITIONAL FILTRATION

**3.78**

**X-RAY EQUIPMENT**

EQUIPMENT consisting of a combination of an X-RAY GENERATOR, ASSOCIATED EQUIPMENT and ACCESSORIES

**3.79**

**X-RAY GENERATOR**

combination of all components provided for the generation and control of X-RADIATION, comprising at least the HIGH-VOLTAGE GENERATOR interconnected with an X-RAY SOURCE ASSEMBLY

**3.80**

**X-RAY IMAGING ARRANGEMENT**

in X-RAY EQUIPMENT, arrangement of RADIATION SOURCE and X-RAY IMAGE RECEPTOR for a specified RADIOLOGICAL technique

**3.81**

**X-RAY IMAGE RECEPTOR**

device, intended to convert X-RAY PATTERNS into another form, from which a visible image is obtained either directly or indirectly

NOTE Examples of X-ray image receptors are intensifying screens, X-ray image intensifiers, digital X-ray imaging devices and radiation detectors in CT scanners.

**3.82**

**X-RAY PATTERN**

information contained in an X-RAY BEAM the distribution of intensity of which has been modulated by the object passed

**3.83**

**X-RAY TUBE**

evacuated vessel for the production of X-RADIATION by the bombardment of a TARGET, usually contained in an ANODE, with ELECTRONS accelerated from a CATHODE by an electric field

Thus:

- rotating ANODE X-RAY TUBE;
- double focus X-RAY TUBE

**3.84**

**X-RAY TUBE ASSEMBLY**

X-RAY TUBE HOUSING with an X-RAY TUBE installed

**3.85**

**X-RAY TUBE CURRENT**

electric current of the ELECTRON beam incident on the TARGET of an X-RAY TUBE. Usually, the X-RAY TUBE CURRENT is expressed by its mean value in milliamperes (mA)

**3.86**

**X-RAY TUBE HOUSING**

container for an X-RAY TUBE providing protection against electric shock and against X-RADIATION and having a RADIATION APERTURE. It may optionally contain additional components

**3.87**

**X-RAY TUBE LOAD**

electrical energy supplied to an X-RAY TUBE expressed by a combination of values of LOADING FACTORS

### 3.88

#### X-RAY TUBE VOLTAGE

potential difference applied to an X-RAY TUBE between the ANODE and the CATHODE. Usually, X-RAY TUBE VOLTAGE is expressed by its peak value in kilovolts (kV)

## 4 General requirements

### 4.1 Statement of compliance

Any statement of compliance with the requirements of this collateral standard shall be given in the following form:

xxxx with radiation protection in accordance with IEC 60601-1-3:2008,

where xxxx represents the object (e.g. "X-RAY EQUIPMENT") for which compliance is to be stated.

### 4.2 Composition of reference materials

Values of ATTENUATION EQUIVALENT, HALF-VALUE LAYER and QUALITY EQUIVALENT FILTRATION shall be expressed in this collateral standard as thicknesses of aluminium of purity 99,9 % or higher.

## 5 ME EQUIPMENT identification, marking and documents

### 5.1 Marking on the outside of ME EQUIPMENT or ME EQUIPMENT parts

Additionally to the requirements in Clause 7 of the general standard, the following applies.

#### 5.1.1 General

All subassemblies, components and ACCESSORIES of X-RAY EQUIPMENT that can be removed in NORMAL USE, and are relevant to compliance with this collateral standard, shall be marked to ensure,

- that they can be identified readily and correlated with the ACCOMPANYING DOCUMENTS;
- that interchangeable devices are individually distinguishable to the OPERATOR both in NORMAL USE and for the purpose of obtaining replacements.

All markings shall be permanently affixed and clearly legible as defined in Clause 7 of IEC 60601-1.

#### 5.1.2 Marking requirements in subclauses

In this collateral standard particular requirements for marking and for the content of markings are given in various subclauses, as indicated in Table 1.

**Table 1 – Subclauses containing requirements for marking**

Title	Subclause
General	5.1.1
Indication of FILTER properties	7.3

### 5.2 ACCOMPANYING DOCUMENTS

Additionally to the requirements of the general standard, the following applies.

### 5.2.1 References in subclauses

The subclauses of this collateral standard that contain requirements for statements in ACCOMPANYING DOCUMENTS (which include instructions for use and technical description) are listed in Table 2.

**Table 2 – Subclauses requiring statements in ACCOMPANYING DOCUMENTS**

Title	Subclause
Dosimetric calibration	5.2.2
General requirements for the reference of subassemblies and ACCESSORIES	5.2.3
General requirements for RADIATION dose information	5.2.4.1
Quantitative information	5.2.4.2
Dose indication	5.2.4.3
Clinical protocols	5.2.4.4
Deterministic effects	5.2.4.5
Risk to OPERATORS	5.2.4.6
Reproducibility of the RADIATION output	6.3.2
Indication of LOADING FACTORS and MODES OF OPERATION	6.4.3
Dosimetric indications	6.4.5
AUTOMATIC CONTROL SYSTEM	6.5
SCATTERED RADIATION reduction	6.6
System performance	6.7.2
RADIATION DETECTOR or X-RAY IMAGE RECEPTOR	6.7.4
Indication of FILTER properties	7.3
FOCAL SPOT TO IMAGE RECEPTOR DISTANCE	8.5.2
FOCAL SPOT TO SKIN DISTANCE - Information in the ACCOMPANYING DOCUMENTS	9.2
ATTENUATION of the X-RAY BEAM - Information in the ACCOMPANYING DOCUMENTS	10.2
Statement of reference LOADING conditions	12.3
Protection against STRAY RADIATION - General	13.1
Control from a PROTECTED AREA	13.2
Protection by distance	13.3
Designated SIGNIFICANT ZONES OF OCCUPANCY	13.4

### 5.2.2 Dosimetric calibration

When dosimetric indications are provided on the EQUIPMENT, the ACCOMPANYING DOCUMENTS shall contain information and instructions on how to check and maintain the accuracy of dosimetric indications specified by the MANUFACTURER.

*Compliance is checked by inspection of the ACCOMPANYING DOCUMENTS.*

### 5.2.3 General requirements for the reference of subassemblies and ACCESSORIES

ACCOMPANYING DOCUMENTS shall clearly identify the items to which they refer and shall include:

- the replication of all information required in this collateral standard to be marked on the items;
- for subassemblies forming part of the items, the following information about the location and content of their required markings:
  - a) for markings accessible in the complete assembly, the location of the markings and instructions for enabling them to be inspected;
  - b) for markings inaccessible in the complete assembly, either
    - 1) the replication of all information required in this collateral standard to be marked on the subassemblies; or
    - 2) a list of the subassemblies concerned, with references to their own ACCOMPANYING DOCUMENTS.
- For items, such as components and subassemblies, specified to be supplied separately from the main assemblies of which they are intended to form a part, technical descriptions with the information necessary to maintain their compliance with this collateral standard in the main assemblies concerned.

*Compliance is checked by inspection of the ACCOMPANYING DOCUMENTS.*

#### **5.2.4 Instructions for use**

Additionally to the requirements of the general standard the following applies.

##### **5.2.4.1 General requirements for RADIATION dose information**

The instructions for use shall contain all the information specific to the EQUIPMENT allowing the user to minimize the possibility of exposing PATIENTS to RADIATION dose levels where deterministic effects may occur during the NORMAL USE of the EQUIPMENT, to optimise the RADIATION dose delivered to the PATIENTS and to minimize the IRRADIATION of the OPERATORS.

##### **5.2.4.2 Quantitative information**

For each INTENDED USE of the EQUIPMENT, the following information shall be provided:

- the RADIATION QUANTITY (or quantities) used for describing the RADIATION dose to the PATIENT. This quantity must be useful for assessing the RADIATION RISK to the PATIENT.

NOTE Such quantities are, for example, the ENTRANCE SURFACE dose (or dose rate), the DOSE AREA PRODUCT or the  $CTDI_{vol}$ .

- the description of a specified test object representative of an average PATIENT;
- the specified procedure allowing measurement of the RADIATION QUANTITY (or quantities) for the specified test object;
- the value of the specified RADIATION QUANTITY (or quantities) when the specified test object is used to simulate a PATIENT when performing a procedure typical of this INTENDED USE;
- the influence of the main adjustments or selections available to the OPERATOR on the value of the specified RADIATION QUANTITY.

NOTE Examples of such adjustments or selections are MODES OF OPERATION, LOADING FACTORS, FOCAL SPOT selection and FOCAL SPOT TO IMAGE RECEPTOR DISTANCE. INTENDED USE should not be confused with NORMAL USE. While both include the concept of use as intended by the MANUFACTURER, INTENDED USE focusses on the medical purpose. NORMAL USE incorporates not only the medical purpose, but maintenance, service, transport etc..

*Compliance is checked by inspection of the instructions for use.*

##### **5.2.4.3 Dose indication**

If applicable, the method used to provide RADIATION dose indication during the NORMAL USE of the EQUIPMENT shall be described directly or by reference to a published reference.

*Compliance is checked by inspection of the instructions for use.*

#### 5.2.4.4 Clinical protocols

When clinical protocols are proposed by the MANUFACTURER, and preloaded on the EQUIPMENT, the instructions for use shall state if they constitute recommendations to be applied directly so as to allow optimized operation or if they are only examples/starting points, to be replaced by more specific protocols developed by the user.

*Compliance is checked by inspection of the instructions for use.*

#### 5.2.4.5 \* Deterministic effects (ICRP60)[17]

If there is a possibility in NORMAL USE that the PATIENT can be exposed to RADIATION dose levels where deterministic effects may occur, the instructions for use shall address this fact. In this case, the particular MODES OF OPERATION, configurations and circumstances in which deterministic effects may occur shall be listed and the following information shall be provided.

- a) The instructions shall draw attention to the need to manage high RADIATION doses, and, when applicable, to the availability of selectable settings that can have a significant effect on the RADIATION QUALITY, the delivered RADIATION dose, AIR KERMA or AIR KERMA RATE and the image quality.
- b) The number of EXPOSURES or the duration of LOADING necessary to reach levels where deterministic effects are possible on the specified average PATIENT and for obese PATIENTS shall be stated.
- c) Information shall be provided concerning available settings of LOADING FACTORS, technique factors and operating parameters that affect the RADIATION QUALITY or the prevailing RADIATION dose (rate) in NORMAL USE.

*Compliance is checked by inspection of the instructions for use.*

#### 5.2.4.6 RISK to OPERATORS

The instructions for use shall draw the attention of the user to the need to restrict access to the EQUIPMENT in accordance with local regulations for RADIATION PROTECTION.

All information necessary to minimize the IRRADIATION of the OPERATORS in NORMAL USE shall be provided.

For each type of procedure where OPERATORS have to stay during NORMAL USE in SIGNIFICANT ZONES OF OCCUPANCY, the following information shall be provided:

- a) the RADIATION dose resulting from the operation of the EQUIPMENT measured using a specified procedure;
- b) means to reduce the RADIATION dose received by the OPERATOR, such as RADIATION PROTECTION provisions provided during installation of the EQUIPMENT, precautions in use, and adjustments of the EQUIPMENT settings;
- c) a list of PROTECTIVE DEVICES and ACCESSORIES to be used for RADIATION PROTECTION. The listing may include PROTECTIVE DEVICES such as PROTECTIVE CLOTHING, recommended for use but not forming part of the EQUIPMENT.

*Compliance is checked by inspection of the instructions for use.*

## 6 RADIATION management

### 6.1 General

X-RAY EQUIPMENT shall be so designed to enable the management of the delivery of X-RADIATION to the PATIENT in a safe and effective way. The measures required in subclauses 6.3 to 6.7 are necessary to enable an acceptable dose-benefit balance to be achieved.



## 6.2 Initiation and termination of the IRRADIATION

### 6.2.1 Normal initiation and termination of the IRRADIATION

Each LOADING shall be initiated and maintained by means of a control requiring continuous actuation by the OPERATOR. It shall be possible for the OPERATOR to terminate the LOADING at any time.

Any control by which the LOADING of an X-RAY TUBE can be initiated shall be protected against unintended actuation using means compatible with the INTENDED USE of the X-RAY EQUIPMENT.

*Compliance is checked by inspection and by the appropriate functional tests.*

### 6.2.2 Safety measures against failure of normal termination of the IRRADIATION

In the case of a failure of its normal termination, the IRRADIATION shall be terminated by a safety measure.

If the normal termination of IRRADIATION is not effected on the basis of a RADIATION measurement, continuous actuation by the OPERATOR (see 6.2.1) is sufficient as the safety measure.

The system for normal termination of IRRADIATION and the system used for the safety measure shall be separated so that a failure in one system does not affect termination by the other system.

A visible indication at the CONTROL PANEL shall be provided whenever a LOADING has been terminated by the safety means required. Another LOADING in the same MODE OF OPERATION shall not be possible until a control device provided for resetting has been operated at the CONTROL PANEL.

*Compliance is checked by inspection and by the appropriate functional tests.*

## 6.3 RADIATION dose and RADIATION QUALITY

### 6.3.1 Adjustment of RADIATION dose and RADIATION QUALITY

It shall be possible to restrict the RADIATION dose to the PATIENT in line with the INTENDED USE of the X-RAY EQUIPMENT. It shall be possible to adjust the RADIATION QUALITY over a suitable range in line with the INTENDED USE of the X-RAY EQUIPMENT.

When the adjustment of the quantity of X-RADIATION contributing to the image is made through a manual selection among discrete values of LOADING FACTORS having an essentially proportional relation to the amount of X-RADIATION produced, particularly values for X-RAY TUBE CURRENT, LOADING TIME or CURRENT TIME PRODUCT, these values shall be chosen from the series R'10 or R'20 according to ISO 497 (see Annex B).

NOTE Using values according to this geometric progression helps the OPERATOR in adjusting the quantity of X-RADIATION by amounts that are just significant, both in terms of RADIATION dose to the PATIENT and image quality.

*Compliance is checked by inspection and functional tests.*

### 6.3.2 Reproducibility of the RADIATION output

For EQUIPMENT where this item is not addressed by a particular standard, the RISK MANAGEMENT FILE shall determine the reproducibility of the RADIATION output relative to fixed LOADING FACTORS required for the INTENDED USE.

The ACCOMPANYING DOCUMENTS shall state the accuracy of RADIATION output.

*Compliance is checked by inspection.*

## **6.4 Indication of operational states**

### **6.4.1 Indication of the X-RAY SOURCE ASSEMBLY selected**

Where X-RAY EQUIPMENT has provisions to select more than one X-RAY SOURCE ASSEMBLY and/or X-RAY IMAGING ARRANGEMENT, an indication of the X-RAY SOURCE ASSEMBLY and/or X-RAY IMAGING ARRANGEMENT selected shall be provided on the CONTROL PANEL prior to the LOADING of the X-RAY SOURCE ASSEMBLY.

Where X-RAY EQUIPMENT has provisions to initiate the LOADING of more than one X-RAY SOURCE ASSEMBLY from a single location, means shall be provided at or near each X-RAY SOURCE ASSEMBLY to indicate that this X-RAY SOURCE ASSEMBLY has been selected.

*Compliance is checked by inspection.*

### **6.4.2 Indication of LOADING STATE**

The LOADING STATE shall be unambiguously indicated in NORMAL USE and SINGLE FAULT CONDITIONS to the OPERATOR and to other persons that are likely to be exposed to X-RADIATION.

NOTE 1 PATIENTS are not considered to be “other persons” in the requirement above.

NOTE 2 The presence of an image on an IMAGE DISPLAY DEVICE is not considered to satisfy this requirement.

When in NORMAL USE the termination of the LOADING STATE is determined by the EQUIPMENT, the termination shall be unambiguously indicated to the OPERATOR by an audible signal. Series of LOADING STATES initiated by a single actuation shall be considered as one LOADING for this requirement.

*Compliance is checked by inspection.*

### **6.4.3 Indication of LOADING FACTORS and MODES OF OPERATION**

Adequate information shall be available to the OPERATOR before, during and after the LOADING of an X-RAY TUBE, regarding LOADING FACTORS or MODES OF OPERATION so as to enable the OPERATOR to:

- determine and preselect optimal conditions for the IRRADIATION;
- subsequently obtain data necessary for the estimation of the RADIATION dose received by the PATIENT.

The accuracy of the LOADING FACTORS required for the INTENDED USE shall be determined in the RISK MANAGEMENT FILE or by application of a particular standard.

The ACCOMPANYING DOCUMENTS shall state the accuracy of LOADING FACTORS.

*Compliance is checked by inspection of the RISK MANAGEMENT FILE, ACCOMPANYING DOCUMENTS and by the appropriate functional tests.*

### **6.4.4 Indication of automatic modes**

For X-RAY EQUIPMENT operating with AUTOMATIC CONTROL SYSTEMS, the preselected mode of automatic operation shall be indicated on the CONTROL PANEL.

*Compliance is checked by inspection.*

#### **6.4.5 Dosimetric indications**

Means shall be provided to allow the user to estimate the RADIATION dose delivered to the PATIENT. This requirement may be satisfied by providing information in the ACCOMPANYING DOCUMENTS, by the indication of dosimetric values or by a combination thereof. The resulting accuracy shall be specified in the ACCOMPANYING DOCUMENTS.

NOTE Requirements for particular dosimetric indications are the subject of particular standards within the IEC 60601-series.

*Compliance is checked by inspection.*

#### **6.5 AUTOMATIC CONTROL SYSTEM**

X-RAY EQUIPMENT should be provided with an AUTOMATIC CONTROL SYSTEM.

If the OPERATOR, within the INTENDED USE, is not able to adjust the LOADING FACTORS to match the PATIENT characteristics (e.g. thickness), an AUTOMATIC CONTROL SYSTEM shall be provided.

NOTE The inclusion of a manual mode option is not in contradiction to these requirements and is often useful.

The constancy of AUTOMATIC EXPOSURE CONTROLS required for the INTENDED USE shall be determined in the RISK MANAGEMENT FILE or by application of a particular standard.

The ACCOMPANYING DOCUMENTS shall state the accuracy of AUTOMATIC CONTROL SYSTEMS.

*Compliance is checked by inspection of the RISK MANAGEMENT FILE and by the appropriate functional tests.*

#### **6.6 SCATTERED RADIATION reduction**

Means shall be provided to reduce the influence of RADIATION scattered in the PATIENT to the X-RAY IMAGE RECEPTOR in case of significant influence on the image quality. If such means are removable by the OPERATOR, their presence or absence shall be clearly visible or indicated to the OPERATOR.

The proper use of such means shall be described in the instructions for use.

*Compliance is checked by inspection of the instructions for use and by the appropriate functional tests.*

#### **6.7 Imaging performance**

##### **6.7.1 General**

In order to achieve an acceptable dose-benefit balance, it is important that the expected medical benefit justifies the IRRADIATION. The measures required in subclauses 6.7.2 to 6.7.4 are necessary to enable an acceptable imaging performance to be achieved.

##### **6.7.2 System performance**

Since not all applications or tasks in medical X-ray imaging require the same level of performance, and of RADIATION dose, the INTENDED USE of the EQUIPMENT shall be specified, and described in the ACCOMPANYING DOCUMENTS.

For the INTENDED USE, metrics describing imaging performance shall be defined and specified.

*Compliance is checked by inspection of the RISK MANAGEMENT FILE and the ACCOMPANYING DOCUMENTS.*

### 6.7.3 Nominal focal spot value

The nominal focal spot values of the X-RAY TUBE(s) FOCAL SPOTS in the EQUIPMENT shall be stated according to IEC 60336:1993 or later versions of IEC 60336 and shall be compatible with each application within the INTENDED USE.

*Compliance is checked by inspection of the RISK MANAGEMENT FILE and the ACCOMPANYING DOCUMENTS.*

### 6.7.4 RADIATION DETECTOR or X-RAY IMAGE RECEPTOR

If a RADIATION DETECTOR or X-RAY IMAGE RECEPTOR is integrated in the X-RAY EQUIPMENT, its contribution to the metrics of imaging performance shall be specified. This contribution should ensure the efficient use of RADIATION.

If no X-RAY IMAGE RECEPTOR is integrated in the system, examples of X-RAY IMAGE RECEPTOR types or performance shall be described in the ACCOMPANYING DOCUMENTS.

*Compliance is checked by inspection of the RISK MANAGEMENT FILE and the ACCOMPANYING DOCUMENTS.*

## 7 RADIATION QUALITY

### 7.1 HALF-VALUE LAYERS and TOTAL FILTRATION in X-RAY EQUIPMENT

The RADIATION QUALITY of the X-RAY BEAM provided by the X-RAY EQUIPMENT shall be appropriate for producing the intended images without administering unnecessarily high DOSES to the PATIENT.

The TOTAL FILTRATION in the beam needs to be sufficient in order to achieve the preceding goal. Requirements for minimum FILTRATION are given here in terms of total QUALITY EQUIVALENT FILTRATION or of the first HALF-VALUE LAYER for specified X-RAY TUBE VOLTAGE.

In X-RAY EQUIPMENT, for all configurations available in NORMAL USE, the first HALF-VALUE LAYERS attained in the X-RAY BEAM incident on the PATIENT shall not be less than the minimum permissible values given in Table 3 unless the X-RAY EQUIPMENT is exempted by a particular standard.

Alternative to the preceding paragraph, the TOTAL FILTRATION arising from materials in the X-RAY BEAM incident on the PATIENT shall not be less than 2,5 mm Al QUALITY EQUIVALENT FILTRATION unless the X-RAY EQUIPMENT is exempted by a particular standard.

IECNORM.COM : Click to view the full PDF of IEC 60601-1-3:2008+AMD1:2013+AMD2:2021 CSV

**Table 3 – HALF-VALUE LAYERS in X-RAY EQUIPMENT**

X-RAY TUBE VOLTAGE kV	Minimum permissible first HALF-VALUE LAYER mm Al
50	1,8
60	2,2
70	2,5
80	2,9
90	3,2
100	3,6
110	3,9
120	4,3
130	4,7
140	5,0
150	5,4

– HALF-VALUE LAYERS for other voltages shall be obtained by linear interpolation or extrapolation.  
– These HALF-VALUE LAYER values correspond to a TOTAL FILTRATION of 2,5 mm Al for X-RAY EQUIPMENT, operating at constant potential X-RAY TUBE VOLTAGE.

*Compliance is checked by the tests described in 7.4, 7.5 and 7.6 and inspections.*

## 7.2 Waveform of the X-RAY TUBE VOLTAGE

The distribution of X-RAY TUBE VOLTAGES during LOADING shall not produce an excessive increase in low energy RADIATION in the X-RAY BEAM. In particular this applies to:

- the rising phase of the X-RAY TUBE VOLTAGE;
- the falling phase of the X-RAY TUBE VOLTAGE; and
- the shape and amplitude of the X-RAY TUBE VOLTAGE RIPPLE.

The X-RAY TUBE VOLTAGE waveform, which, in conjunction with the TOTAL FILTRATION in the X-RAY EQUIPMENT, results in an acceptable RADIATION dose for the INTENDED USE shall be determined in the RISK MANAGEMENT FILE or by application of a particular standard.

*Compliance is checked by inspection.*

## 7.3 Indication of FILTER properties

Means shall be provided to indicate:

- the PERMANENT FILTRATION in the X-RAY BEAM;
- thickness and chemical composition of each ADDED FILTER.

FILTER properties shall be indicated as follows:

- X-RAY TUBE ASSEMBLIES shall be marked with their PERMANENT FILTRATION or with the thicknesses of the materials concerned, together with their chemical symbols.
- When accessible to the OPERATOR, ADDED FILTERS, including EDGE FILTERS, shall be marked so that the thickness and chemical symbols of each material employed can be identified. The marking may be given in the form of a reference to a statement of these particulars in the ACCOMPANYING DOCUMENTS.
  - For all ADDED FILTERS, the ACCOMPANYING DOCUMENTS shall state the QUALITY EQUIVALENT FILTRATION in thickness of aluminium or another suitable reference material, together with the RADIATION QUALITY used for its determination (Example: 0,3 mm Al 75 kV/HVL 2,7 mm Al). Any value of QUALITY EQUIVALENT FILTRATION given for an EDGE FILTER shall relate to the low-energy side of the discontinuity.

- Fixed layers of material in the X-RAY BEAM incident on the PATIENT, other than ADDED FILTERS and irremovable materials in X-RAY TUBE ASSEMBLIES, shall be marked to show the QUALITY EQUIVALENT FILTRATION in thickness of aluminium together with the RADIATION QUALITY used for its determination. The marking may be given in the form of a reference to a statement of these particulars in the ACCOMPANYING DOCUMENTS. Such layers need not be marked if they add altogether no more than a QUALITY EQUIVALENT FILTRATION of 0,2 mm Al and they are not intended to be taken into account as part of the TOTAL FILTRATION required for compliance with 4th paragraph of subclause 7.1.
- Where the X-RAY EQUIPMENT has provisions to select ADDED FILTERS by remote control or automatic systems the selected ADDED FILTER shall be indicated on the CONTROL PANEL.

*Compliance is checked by inspection, as appropriate, of the X-RAY TUBE ASSEMBLIES, filtering materials and ADDED FILTERS and by examination of the ACCOMPANYING DOCUMENTS.*

#### **7.4 Test for FILTRATION by irremovable materials**

*Determine the represented FILTRATION by irremovable materials in an X-RAY SOURCE ASSEMBLY by adding the values of QUALITY EQUIVALENT FILTRATION from each irremovable layer of material intercepting the X-RAY BEAM. If this information is not obtainable, determine the QUALITY EQUIVALENT FILTRATION in accordance with IEC 60522.*

#### **7.5 Test for ADDED FILTERS and materials**

*Determine the QUALITY EQUIVALENT FILTRATION of ADDED FILTERS and of other materials forming part of the TOTAL FILTRATION, under NARROW BEAM CONDITIONS, as the thickness of aluminium that results in the same first HALF-VALUE LAYER as the material under test. For measurement, use an X-RAY BEAM with the same X-RAY TUBE VOLTAGE as used to determine the FILTRATION by irremovable materials and the first HALF-VALUE LAYER given in Table 3.*

*If the QUALITY EQUIVALENT FILTRATION of an EDGE FILTER is to be determined, use a RADIATION QUALITY appropriate to the low-energy side of the discontinuity.*

#### **7.6 Test for HALF-VALUE LAYER**

*Measure the first HALF-VALUE LAYER under NARROW BEAM CONDITIONS with the X-RAY EQUIPMENT operating at selected values of X-RAY TUBE VOLTAGE given in Table 3 at corresponding LOADING FACTORS in the range of NORMAL USE.*

### **8 Limitation of the extent of the X-RAY BEAM and relationship between X-RAY FIELD and IMAGE RECEPTION AREA**

#### **8.1 General**

X-RAY EQUIPMENT shall be designed to limit the RADIATION FIELD not contributing to the formation of the image.

Implementation shall be considered in the RISK MANAGEMENT FILE or by using particular standards.

NOTE This clause has been reduced in comparison with the first edition of this collateral standard because most of its content was considered to be specific to projection RADIOGRAPHY and RADIOSCOPY.

#### **8.2 Enclosure of X-RAY TUBES**

X-RAY TUBES shall be utilized as part of an X-RAY SOURCE ASSEMBLY, including the functions of an X-RAY TUBE HOUSING and a BEAM LIMITING SYSTEM.

*Compliance is checked by inspection.*



### 8.3 Limiting DIAPHRAGM in X-RAY TUBE ASSEMBLIES

An X-RAY TUBE ASSEMBLY shall not have a RADIATION APERTURE larger than is needed to provide the largest X-RAY BEAM required for its specified applications. The RADIATION APERTURE shall be restricted to the appropriate size by means of a fixed-size DIAPHRAGM, fitted as close as practicable to the FOCAL SPOT.

*Compliance is checked by verification of the technical description and design data.*

### 8.4 Confinement of EXTRA-FOCAL RADIATION

The contribution of EXTRA-FOCAL RADIATION to the X-RAY IMAGE RECEPTOR and to the PATIENT dose shall be limited to an acceptable level. Acceptable levels of EXTRA-FOCAL RADIATION might be given in the particular standards.

NOTE One of the most important means of decreasing the EXTRA-FOCAL RADIATION is to limit the RADIATION BEAM close to the FOCAL-SPOT.

*Compliance is checked by verification of the technical description and design data.*

### 8.5 Relationship between X-RAY FIELD and IMAGE RECEPTION AREA

#### 8.5.1 General

X-RAY EQUIPMENT shall be designed in such a way that the X-RAY BEAM can be safely directed and aligned in relation to the PATIENT and to the X-RAY IMAGE RECEPTOR, as appropriate to the specified applications, to ensure that the X-RAY EQUIPMENT is capable of being used without excessive RISK of administering RADIATION to the PATIENT, from which useful diagnostic information cannot be derived.

#### 8.5.2 \* FOCAL SPOT TO IMAGE RECEPTOR DISTANCE

The FOCAL SPOT TO IMAGE RECEPTOR DISTANCE shall be indicated as follows:

- the ACCOMPANYING DOCUMENTS shall contain particulars of the values or ranges of the FOCAL SPOT TO IMAGE RECEPTOR DISTANCE specified for NORMAL USE;
- if the FOCAL SPOT TO IMAGE RECEPTOR DISTANCE is adjustable and the specified applications require its value to be known to the OPERATOR prior to LOADING, the currently selected value shall be indicated on the EQUIPMENT;
- the accuracy of indication shall be such that the FOCAL SPOT TO IMAGE RECEPTOR DISTANCE does not differ by more than 5 % from any corresponding value indicated on the EQUIPMENT or from any corresponding value stated in the ACCOMPANYING DOCUMENTS.

*Compliance is checked by inspection and functional tests, by examination of the ACCOMPANYING DOCUMENTS and, where applicable, by measurement of the FOCAL SPOT TO IMAGE RECEPTOR DISTANCE in selected configurations and settings of the EQUIPMENT.*

#### 8.5.3 Correspondence between X-RAY FIELD and EFFECTIVE IMAGE RECEPTION AREA

Means shall be provided to adjust the X-RAY FIELD such that its position and size correspond to the EFFECTIVE IMAGE RECEPTION AREA within an acceptable accuracy according to the particular standards or the RISK MANAGEMENT FILE.

NOTE If a secondary BEAM LIMITING DEVICE is used between PATIENT and X-RAY IMAGE RECEPTOR, this requirement applies to the X-RAY FIELD defined by the primary BEAM LIMITING DEVICE and the EFFECTIVE IMAGE RECEPTION AREA as defined by the secondary BEAM LIMITING DEVICE.

*Compliance is checked by inspection of the RISK MANAGEMENT FILE.*

#### **8.5.4 Positioning of the PATIENT and restriction of the irradiated area**

X-RAY EQUIPMENT shall be designed in such a way that for the INTENDED USE the extent of the irradiated area can be restricted to what is required clinically.

All those parts of a PATIENT that are specified to be imaged shall be visible in the image.

NOTE This could be achieved for example by a light field or a visible mark.

*Compliance is checked by inspection.*

### **9 FOCAL SPOT TO SKIN DISTANCE**

#### **9.1 General**

The FOCAL SPOT TO SKIN DISTANCES in NORMAL USE shall be sufficiently large to keep the RADIATION dose to the PATIENT as low as reasonably achievable.

Implementation of a minimum FOCAL SPOT TO SKIN DISTANCE shall be considered in the RISK MANAGEMENT FILE or by using particular standards.

*Compliance is checked by inspection of the RISK MANAGEMENT FILE.*

#### **9.2 Information in the ACCOMPANYING DOCUMENTS**

The instructions for use shall include information for the OPERATOR describing the effects of changes in the FOCAL SPOT TO SKIN DISTANCE on the RADIATION dose to the PATIENT.

*Compliance is checked by examination of the instructions for use.*

### **10 ATTENUATION of the X-RAY BEAM between the PATIENT and the X-RAY IMAGE RECEPTOR**

#### **10.1 General**

X-RAY EQUIPMENT shall be designed in such a way that that the ATTENUATION of the X-RAY BEAM by material interposed between the PATIENT and the X-RAY IMAGE RECEPTOR is kept as low as reasonably achievable in order to avoid unnecessarily high doses to the PATIENT and, through STRAY RADIATION, to the OPERATOR. Values of ATTENUATION EQUIVALENT and RADIATION CONDITIONS for testing required for the INTENDED USE shall be determined in the RISK MANAGEMENT FILE or by application of a particular standard.

*Compliance is checked by examination of the RISK MANAGEMENT FILE.*

#### **10.2 Information in the ACCOMPANYING DOCUMENTS**

The ACCOMPANYING DOCUMENTS shall state the maximum value of the ATTENUATION EQUIVALENT of each item interposed between the PATIENT and the X-RAY IMAGE RECEPTOR and forming part of the X-RAY EQUIPMENT.

For diagnostic X-RAY EQUIPMENT specified to be used in combination with ACCESSORIES or other items not forming part of the same or other diagnostic X-RAY EQUIPMENT, the instructions for use shall include a statement drawing attention to the possible adverse effects arising from materials located in the X-RAY BEAM (e.g. parts of an operating table).

*Compliance is checked by examination of the ACCOMPANYING DOCUMENTS.*



## 11 Protection against RESIDUAL RADIATION

For equipment where this item is not addressed by a standard, the RISK MANAGEMENT FILE shall evaluate the RADIATION dose resulting from the RESIDUAL RADIATION

- for the PATIENT, relative to the RADIATION dose resulting from the examination;
- for other persons, relative to the dose resulting from X-RADIATION scattered off the PATIENT.

When, in NORMAL USE, RESIDUAL RADIATION may contribute significantly to the RADIATION dose received by:

- OPERATORS,
- other persons present in the examination room during the LOADING (e.g. parents holding a child, other PATIENTS or personnel),
- parts of the PATIENT other than from those being currently imaged,

the X-RAY EQUIPMENT shall incorporate PRIMARY PROTECTIVE SHIELDING.

Where required, the PRIMARY PROTECTIVE SHIELDING shall have appropriate extent and capability to attenuate the RESIDUAL RADIATION.

*Compliance is checked by inspection.*

## 12 \* Protection against LEAKAGE RADIATION

### 12.1 General

X-RAY EQUIPMENT shall incorporate appropriate measures to protect the PATIENT, the OPERATOR and staff against LEAKAGE RADIATION.

The RADIATION dose acceptable within the INTENDED USE and resulting from the LEAKAGE RADIATION shall be determined in the RISK MANAGEMENT FILE or by application of a particular standard:

- for the PATIENT, relative to the RADIATION dose resulting from the examination;
- for other persons, relative to the dose resulting from X-RADIATION scattered off the PATIENT.

In NORMAL USE, LEAKAGE RADIATION shall not contribute significantly to the RADIATION dose received by:

- OPERATORS;
- other persons present in the examination room during the LOADING (e.g. parents holding a child, other PATIENTS or personnel);
- parts of the PATIENT other than from those being currently imaged.

Subclauses 12.2 to 12.5 contain requirements concerning LEAKAGE RADIATION from X-RAY TUBE ASSEMBLIES and X-RAY SOURCE ASSEMBLIES sufficient to demonstrate compliance with the requirements of this subclause.

*Compliance is checked by inspection of the RISK MANAGEMENT FILE.*

### 12.2 Mounting of X-RAY SOURCE ASSEMBLIES and X-RAY IMAGING ARRANGEMENTS

Neither the X-RAY SOURCE ASSEMBLIES nor the X-RAY IMAGE RECEPTOR shall need to be hand held during LOADING in NORMAL USE.

Exceptions shall be justified in the RISK MANAGEMENT FILE or by application of a particular standard.

*Compliance is checked by inspection.*

### 12.3 Statement of reference LOADING conditions

The ACCOMPANYING DOCUMENTS for all X-RAY TUBE ASSEMBLIES and X-RAY SOURCE ASSEMBLIES shall state the values of LOADING FACTORS that would, if applied at the NOMINAL X-RAY TUBE VOLTAGE, correspond to the maximum specified energy input to the ANODE in one hour. For this purpose the maximum specified energy input in one hour may be taken either:

- as the value permitted by LOADING in RADIOGRAPHY at the applicable X-RAY TUBE VOLTAGE, according to the RADIOGRAPHIC RATINGS, corresponding to a total CURRENT TIME PRODUCT during one hour; or
- as the value corresponding to the specified CONTINUOUS ANODE INPUT POWER.

*Compliance is checked by examination of the ACCOMPANYING DOCUMENTS.*

### 12.4 LEAKAGE RADIATION in the LOADING STATE

In the LOADING STATE, the AIR KERMA due to LEAKAGE RADIATION from X-RAY TUBE ASSEMBLIES and X-RAY SOURCE ASSEMBLIES, at 1 m from the FOCAL SPOT, averaged over any area of 100 cm<sup>2</sup> of which no principal linear dimension exceeds 20 cm, when operated at the NOMINAL X-RAY TUBE VOLTAGE under conditions of LOADING corresponding to the reference LOADING conditions, shall not exceed 1,0 mGy in one hour. Particular standards may specify different limits of LEAKAGE RADIATION for specific X-RAY EQUIPMENT.

*Compliance is checked by the following test procedure:*

- a) *block the RADIATION APERTURE sufficiently to ensure that measurements of LEAKAGE RADIATION are not affected by RADIATION passing through it. Make and fit any cover used for this purpose to be as close as practicable to the RADIATION APERTURE and not to overlap it to an extent greater than is required for effective blocking;*
- b) *for LOADING during the test*
  - 1) *use the NOMINAL X-RAY TUBE VOLTAGE for the X-RAY TUBE ASSEMBLY or X-RAY SOURCE ASSEMBLY under test;*
  - 2) *use either RADIOSCOPY at a convenient value of X-RAY TUBE CURRENT, or RADIOGRAPHY at a convenient value of CURRENT TIME PRODUCT;*
  - 3) *do not use LOADINGS so as to cause any specified ratings to be exceeded during the test;*
- c) *determine, if necessary by making measurements, how the determination of LEAKAGE RADIATION will be affected by the settings and configurations specified for the NORMAL USE of the assembly under test. For the test itself, adopt the combination appearing to be the least favourable with regard to compliance;*
- d) *with the appropriate LOADING FACTORS applied, make a sufficient number of measurements to determine the maximum AIR KERMA or AIR KERMA RATE at 1 m from the FOCAL SPOT over the entire spherical surface;*
- e) *normalize the MEASURED VALUES at the LOADING FACTORS actually used, to values of AIR KERMA in one hour corresponding to the reference conditions of LOADING stated in the ACCOMPANYING DOCUMENTS, in accordance with 12.3;*
- f) *make any necessary adjustments to the values to take into account the permitted averaging over areas, as described in 12.4;*
- g) *in knowledge of the results obtained, repeat step c) and make further measurements in accordance with d) to f) at other settings and configurations if it appears that the results of these could affect the outcome of the final determination of compliance;*

- h) *compliance is achieved if no MEASURED VALUE obtained by the test procedure exceeds the required limit.*

### **12.5 LEAKAGE RADIATION when not in the LOADING STATE**

When not in the LOADING STATE, the AIR KERMA due to LEAKAGE RADIATION from X-RAY TUBE ASSEMBLIES and X-RAY SOURCE ASSEMBLIES, at 5 cm from any ACCESSIBLE SURFACE, averaged over any area of 10 cm<sup>2</sup> of which no principal linear dimension exceeds 5 cm, shall not exceed 20 µGy in one hour.

*Compliance is checked by the following test procedure:*

- a) *operate the X-RAY EQUIPMENT, device or subassembly under conditions of NORMAL USE, other than in the LOADING STATE, that are the most unfavourable for compliance with the requirement;*
- b) *make a sufficient number of measurements of AIR KERMA or AIR KERMA RATE at 5 cm from the ACCESSIBLE SURFACE, to establish the profile of LEAKAGE RADIATION in one hour over the entire surface;*
- c) *make any necessary adjustments to the values to take into account the permitted averaging over areas, as described in 12.5;*
- d) *Compliance is achieved if no MEASURED VALUE obtained by the test procedure exceeds the required limit.*

## **13 Protection against STRAY RADIATION**

### **13.1 General**

X-RAY EQUIPMENT shall incorporate appropriate measures to protect the OPERATOR and staff against STRAY RADIATION. The measures as required in subclauses 13.2 to 13.5 include, as applicable, protection by distance, control of X-RAY EQUIPMENT from PROTECTED AREAS, the designation of SIGNIFICANT ZONES OF OCCUPANCY with particular characteristics, the inclusion of appropriate PROTECTIVE DEVICES, limitation of the RADIATION dose at the locations of handgrips and control devices, and statements in the ACCOMPANYING DOCUMENTS.

*Compliance is checked by examination of the ACCOMPANYING DOCUMENTS.*

### **13.2 Control of X-RAY EQUIPMENT from a PROTECTED AREA**

X-RAY EQUIPMENT specified exclusively for examinations that do not need the OPERATOR or staff to be close to the PATIENT during NORMAL USE shall be provided with means to allow the following control functions to be implemented from a PROTECTED AREA after installation:

- selection and control of MODES OF OPERATION;
- selection of LOADING FACTORS;
- actuation of the IRRADIATION SWITCH;
- other necessary controls for the OPERATOR during LOADING.

Relevant instructions shall be given in the ACCOMPANYING DOCUMENTS.

The ACCOMPANYING DOCUMENTS shall include a statement drawing the attention of the user to the need for providing means for audio and visual communication between the OPERATOR and the PATIENT.

Exceptions from this subclause 13.2 of this collateral standard shall be justified in the RISK MANAGEMENT FILE or by application of a particular standard. In those cases subclause 13.3 applies.

NOTE The first edition of IEC 60601-1-3 exempted a specified list of equipment which is now subject to particular standards.

*Compliance is checked by inspection of the EQUIPMENT, the RISK MANAGEMENT FILE and the ACCOMPANYING DOCUMENTS.*

### 13.3 Protection by distance

For X-RAY EQUIPMENT specified exclusively for examinations that do not require the OPERATOR, staff or other persons to be close to the PATIENT during NORMAL USE, and if subclause 13.2 is not applied, protection against STRAY RADIATION shall be achieved by enabling the OPERATOR to control IRRADIATION from a sufficiently long distance.

For the INTENDED USE the distance required and the RADIATION dose resulting from the STRAY RADIATION shall be determined in the RISK MANAGEMENT FILE or by application of a particular standard.

When protection is effected by distance, information shall be provided in the ACCOMPANYING DOCUMENTS on the impact of distance on the RADIATION dose. Statements shall be included in the ACCOMPANYING DOCUMENTS informing the RESPONSIBLE ORGANIZATION and the OPERATOR of the possible need for PROTECTIVE DEVICES and PROTECTIVE CLOTHING as appropriate for the workload involved.

*Compliance is checked by inspection of the EQUIPMENT, the RISK MANAGEMENT FILE and the ACCOMPANYING DOCUMENTS.*

### 13.4 \* Designated SIGNIFICANT ZONES OF OCCUPANCY

X-RAY EQUIPMENT specified for any RADIOLOGICAL examination that requires the OPERATOR or staff to be close to the PATIENT during NORMAL USE, or otherwise not in compliance with 13.2 or 13.3, shall have at least one SIGNIFICANT ZONE OF OCCUPANCY for the use of the OPERATOR and staff, designated in the instructions for use.

Any SIGNIFICANT ZONE OF OCCUPANCY designated in accordance with this subclause shall have a floor area of dimensions not less than 60 cm x 60 cm and a height of not less than 200 cm.

The designation of each SIGNIFICANT ZONE OF OCCUPANCY in accordance with this subclause shall include the following information in the instructions for use:

- the types of RADIOLOGICAL examinations for which the SIGNIFICANT ZONE OF OCCUPANCY is designated to be used;
- the location of the SIGNIFICANT ZONE OF OCCUPANCY, shown on a representative outline drawing, indicating the positions of its boundaries in relation to clearly recognizable features of the X-RAY EQUIPMENT;
- at least one profile of STRAY RADIATION in the SIGNIFICANT ZONE OF OCCUPANCY with respect to the height above the floor, under stated representative operating conditions. At least one profile shall contain the point with the highest dose level. An example of such a presentation is given in Figure 1;
- if removable PROTECTIVE DEVICES are specified for use with the X-RAY EQUIPMENT, information about the effectiveness of PROTECTIVE DEVICES together with appropriate information about their application and use;
- details of the test arrangement used;
- instructions for obtaining the LOADING FACTORS used for testing, if these are controlled only by an AUTOMATIC CONTROL SYSTEM.

*Compliance is checked by inspection of the EQUIPMENT and by examination of the instructions for use.*

### 13.5 Handgrips and control devices

X-RAY EQUIPMENT shall be so designed and constructed such that handgrips and control devices handled during LOADING are not positioned in the X-RAY BEAM.

*Compliance is checked by inspection of the EQUIPMENT.*

### 13.6 \* Test for STRAY RADIATION

*Use the following test procedure to determine levels of STRAY RADIATION:*

- a) *use a water equivalent PHANTOM of size and dimensions equivalent to the irradiated part of the typical PATIENT for each INTENDED USE;*
- b) *tests shall be done with representative orientations of the X-RAY BEAM for the INTENDED USE;*
- c) *the measurements shall be made at least at the maximum X-RAY TUBE VOLTAGE specified for the INTENDED USE;*
- d) *use a minimum selectable TOTAL FILTRATION compatible with the X-RAY TUBE VOLTAGE specified for the INTENDED USE;*
- e) *use either RADIOSCOPY at a convenient value of X-RAY TUBE CURRENT, or RADIOGRAPHY at a convenient value of CURRENT TIME PRODUCT.*

NOTE If LOADING FACTORS can be adjusted only by an AUTOMATIC CONTROL SYSTEM, follow the procedure described in the ACCOMPANYING DOCUMENTS to obtain the required LOADING FACTORS. Otherwise, use the manual means of adjustment provided.

- f) *perform measurements of AIR KERMA or AIR KERMA RATE at the designated positions;*
- g) *MEASURED VALUES of AIR KERMA shall be averaged over a volume of 500 cm<sup>3</sup> having no principal linear dimension greater than 20 cm;*
- h) *make any necessary adjustments to the values to take into account the permitted averaging over areas, as described in g);*
- i) *normalize the MEASURED VALUES at the LOADING FACTORS actually used, to values of AIR KERMA in one hour corresponding to the reference conditions of LOADING stated in the ACCOMPANYING DOCUMENTS, in accordance with 12.3.*

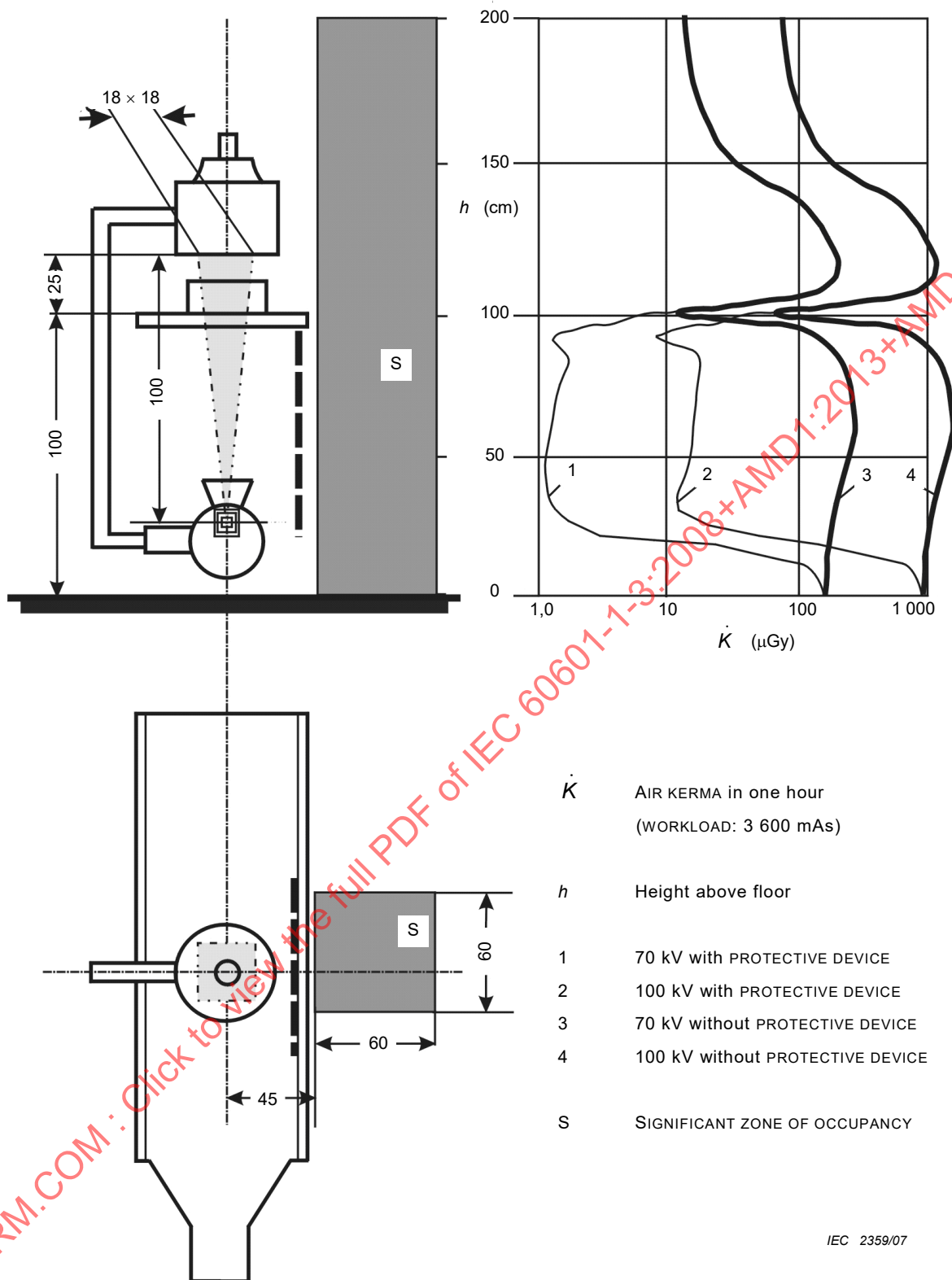


Figure 1 – Example of presentation of data on STRAY RADIATION



## **Annex A** (informative)

### **General guidance and rationale**

#### **A.1 General guidance**

This annex provides a concise rationale for the important requirements of this collateral standard. Its purpose is to promote effective application of the collateral standard by explaining the reasons for the requirements and provide additional guidance where appropriate.

#### **A.2 Rationale for particular clauses and subclauses**

The following are rationales for specific clauses and subclauses in this collateral standard, with clause and subclause numbers parallel to those in the body of the document.

##### **Subclause 5.2.4.5 – Deterministic effects (ICRP60)[17]**

Deterministic effects may occur when the RADIATION dose to a certain organ or tissue exceeds a specific threshold. Particular organs or tissues of such concern in diagnostic RADIOLOGY are the skin and the eye lens. The numerical value of the threshold dose is in the range between 1 Gy and 3 Gy.

##### **Subclause 8.5.2 – FOCAL SPOT TO IMAGE RECEPTOR DISTANCE**

The permissible non-reproducibility of the FOCAL SPOT TO IMAGE RECEPTOR DISTANCE and its permissible non-linearity over an indicated range are constrained by the need to comply with other requirements for the dimensions of the X-RAY FIELD and its correspondence with the IMAGE RECEPTION AREA, since these are tested, when relevant, at indicated settings of the FOCAL SPOT TO IMAGE RECEPTOR DISTANCE.

##### **Clause 12 – Protection against LEAKAGE RADIATION**

This collateral Standard uses the quantity AIR KERMA for all purposes. For some situations, e.g. LEAKAGE RADIATION and STRAY RADIATION in SIGNIFICANT ZONES OF OCCUPANCY, the AMBIENT DOSE EQUIVALENT would seem to be more appropriate since this quantity is more directly related with the effective dose. However, it was decided here to use only the quantity AIR KERMA in view of the potential for confusion arising from reference to two different quantities, and because the measurement of the AMBIENT DOSE EQUIVALENT is more complicated. It can also be noted that the numerical values of these two quantities differ only by factors of between 1 and 1,7 for the relevant x-ray energies, and estimates of the AMBIENT DOSE EQUIVALENT can be made with sufficient accuracy based on the IRRADIATION conditions and measured AIR KERMA values.

##### **Subclause 13.4 – Designated SIGNIFICANT ZONES OF OCCUPANCY**

In RADIOLOGICAL examinations needing the OPERATOR or staff to be close to the PATIENT during LOADING, a significant contribution to the total STRAY RADIATION encountered by these persons is often made by SCATTERED RADIATION from the PATIENT and other objects in the X-RAY BEAM. The scope for providing effective protection against this is limited by the need to avoid restricting unduly the conduct of the diagnostic procedures concerned.

Knowledge of the levels of STRAY RADIATION in SIGNIFICANT ZONES OF OCCUPANCY is highly relevant in determining safe working practices. In this clause, recommendations are made for the determination and presentation of information about the levels of STRAY RADIATION.

**Subclause 13.6 – Test for STRAY RADIATION**

The basic method of test shall be to make measurements of AIR KERMA RATE in the SIGNIFICANT ZONE OF OCCUPANCY, using an appropriate PHANTOM to represent the presence of a PATIENT. These measurements are made at appropriate values of X-RAY TUBE VOLTAGE for which the information is to be stated and at convenient values of X-RAY TUBE CURRENT, or CURRENT TIME PRODUCT, within the ratings of the X-RAY SOURCE ASSEMBLY concerned. The measurements are then normalized to a CURRENT TIME PRODUCT representing a WORKLOAD in a period of one hour, and stated in terms of the AIR KERMA in that period, as a function of the height above the floor. Guidance is given concerning suitable test arrangements and parameters.

IECNORM.COM : Click to view the full PDF of IEC 60601-1-3:2008+AMD1:2013+AMD2:2021 CSV



**Annex B**  
(normative)

**Values of the series R'10 and R'20, ISO 497**

The values, which shall be used according to 6.3, in the manual selection of LOADING FACTORS having an essentially proportional relation to the amount of RADIATION received, shall be chosen as decimal multiples and submultiples from the following rounded values of the series R'10 and R'20.

**Table B.1 – Values of the series R'10 and R'20, ISO 497**

Calculated values	R'10	R'20
1,0000	1,00	1,00
1,1220	–	1,10
1,2589	1,25	1,25
1,4125	–	1,40
1,5849	1,60	1,60
1,7783	–	1,80
1,9953	2,00	2,00
2,2387	–	2,20
2,5119	2,50	2,50
2,8184	–	2,80
3,1623	3,20	3,20
3,5481	–	3,60
3,9811	4,00	4,00
4,4668	–	4,50
5,0119	5,00	5,00
5,6234	–	5,60
6,3096	6,30	6,30
7,0795	–	7,10
7,9433	8,00	8,00
8,9125	–	9,00

IECNORM.COM : Click to view the full PDF of IEC 60601-1-3:2008+AMD1:2013+AMD2:2021 CSV

## Annex C (informative)

### Mapping between this Edition 2 of IEC 60601-1-3 and Edition 1

<b>Edition 2</b>	<b>Edition 1</b>	<b>Title</b>
Foreword	2.204	Degrees of requirements and miscellaneous terms
1	1	Scope, object and related standards
1.1	1.201	Scope
1.2	1.202	Object
1.3	1.203	Relationship to other standards
2	n.a.	Normative references
3	2	Terms and definitions
Part of 3	2.205	RADIATION QUANTITIES and units
4	n.a.	General requirements
4.1	4.201.1	Statement of compliance
4.2	2.203	Composition of reference materials
5	6	ME EQUIPMENT identification, marking and documents
5.1	6.1	Marking on the outside of ME EQUIPMENT or ME EQUIPMENT parts
5.1.1	6.1.202	General
5.1.2	6.1.201	Marking requirements in subclauses
5.2	6.8	ACCOMPANYING DOCUMENTS
5.2.1	6.8.201	References in subclauses
5.2.2	n.a.	Dosimetric calibration
5.2.3	6.8.202	General requirements for the reference of subassemblies and ACCESSORIES
5.2.4	n.a.	Instructions for use
6	n.a.	RADIATION management
6.1	NOTE	General
6.2	n.a.	Initiation and termination of the IRRADIATION
6.3	n.a.	RADIATION dose and RADIATION QUALITY
6.4	n.a.	Indication of operational states
6.5	n.a.	AUTOMATIC CONTROL SYSTEM
6.6	n.a.	SCATTERED RADIATION reduction
6.7	n.a.	Imaging performance
7	29.201	RADIATION QUALITY
7.1	29.201.2 and 29.201.5	HALF-VALUE LAYERS and TOTAL FILTRATION in X-RAY EQUIPMENT
7.2	n.a.	Waveform of the X-RAY TUBE VOLTAGE
7.3	29.201.6	Indication of FILTER properties
7.4	29.201.7	Test for FILTRATION by irremovable materials
7.5	29.201.8	Test for ADDED FILTERS and materials
7.6	29.201.9	Test for HALF-VALUE LAYER
8	29.202	Limitation of the extent of the X-RAY BEAM and relationship between X-RAY FIELD and IMAGE RECEPTION AREA
8.1	Note	General
8.2	29.202.1	Enclosure of X-RAY TUBES
8.3	29.202.2	Limiting DIAPHRAGM in X-RAY TUBE ASSEMBLIES

IECNORM.COM : Click to view the full PDF of IEC 60601-1-3:2008+AMD1:2013+AMD2:2021 CSV

<b>Edition 2</b>	<b>Edition 1</b>	<b>Title</b>
8.4	29.202.3	Confinement of EXTRA-FOCAL RADIATION
8.5	29.203	Relationship between X-RAY FIELD and IMAGE RECEPTION AREA
8.5.1	Note	General
8.5.2	29.203.2	FOCAL SPOT TO IMAGE RECEPTOR DISTANCE
8.5.3	29.203.4	Correspondence between X-RAY FIELD and IMAGE RECEPTION AREA
8.5.4	n.a.	Positioning of the PATIENT and restriction of the irradiated area
9	29.205	FOCAL SPOT TO SKIN DISTANCE
9.1	Note	General
9.2	29.205.3	Information in the ACCOMPANYING DOCUMENTS
10	29.206	ATTENUATION of the X-RAY BEAM between the PATIENT and the X-RAY IMAGE RECEPTOR
10.1	Note	General
10.2	29.206.2	Information in the ACCOMPANYING DOCUMENTS
11	29.207	Protection against RESIDUAL RADIATION
12	29.204	Protection against LEAKAGE RADIATION
12.1	Note	General
12.2	29.204.1	Mounting of X-RAY SOURCE ASSEMBLIES and X-RAY IMAGING ARRANGEMENTS
12.3	29.204.2	Statement of reference LOADING conditions
12.4	29.204.3	LEAKAGE RADIATION in the LOADING STATE
12.5	29.204.5	LEAKAGE RADIATION when not in the LOADING STATE
13	29.208	Protection against STRAY RADIATION
13.1	Note	General
13.2	29.208.2	Control from a PROTECTED AREA
13.3	29.208.1	Protection by distance
13.4	29.208.3	Designated SIGNIFICANT ZONES OF OCCUPANCY
13.5	29.208.5	Handgrips and control devices
13.6	29.208.6	Test for STRAY RADIATION
n.a.	Annex CCC	Normative references to ACCOMPANYING DOCUMENTS, instructions for use and ASSEMBLING INSTRUCTIONS
Annex A	n.a.	General guidance and rationale
Annex B	n.a.	Values of the series R'10 and R'20, ISO 497
Annex C	n.a.	Mapping between this Edition 2 of IEC 60601-1-3 and the Edition1
	n.a.	Bibliography

## Bibliography

IEC under <http://www.iec.ch/>

ISO under <http://www.iso.ch/iso/en/ISOOnline.frontpage>

- [1] IEC 60601-2-7:1998, *Medical electrical equipment – Part 2-7: Particular requirements for the safety of high-voltage generators of diagnostic X-ray generators*
- [2] IEC 60601-2-28:1993, *Medical electrical equipment – Part 2: Particular requirements for the safety of X-ray source assemblies and X-ray tube assemblies for medical diagnosis*
- [3] IEC 60601-2-29:1999, *Medical electrical equipment – Part 2-29: Particular requirements for the safety of radiotherapy simulators*
- [4] IEC 60601-2-32:1994, *Medical electrical equipment – Part 2: Particular requirements for the safety of associated equipment of X-ray equipment*
- [5] IEC 60601-2-43:2000, *Medical electrical equipment – Part 2-43: Particular requirements for the safety of X-ray equipment for interventional procedures*
- [6] IEC 60601-2-44:2001, *Medical electrical equipment – Part 2-44: Particular requirements for the safety of X-ray equipment for computed tomography<sup>2)</sup>*  
Amendment 1 (2002)
- [7] IEC 60601-2-45:2001, *Medical electrical equipment – Part 2-45: Particular requirements for the safety of mammographic X-ray equipment and mammographic stereotactic devices*
- [8] IEC 60580:2000, *Medical electrical equipment – Dose area product meters*
- [9] IEC 60627:2001, *Diagnostic X-ray imaging equipment – Characteristics of general purpose and mammographic anti-scatter grids*
- [10] IEC 60878, *Graphical symbols for electrical equipment in medical practice*
- [11] IEC 61262 (all parts), *Medical electrical equipment – Characteristics of electro-optical X-ray image intensifiers*
- [12] IEC 62220 (all parts), *Medical electrical equipment – Characteristics of digital X-ray imaging devices*
- [13] IEC 62220-1:2003, *Medical electrical equipment – Characteristics of digital X-ray imaging devices – Determination of the detective quantum efficiency*
- [14] ISO 7004:2002, *Photography – Industrial radiographic films – Determination of ISO speed, ISO average gradient and ISO gradients G2 and G4 when exposed to X- and gamma-radiation*
- [15] ICRP Publication 33: *Protection against ionizing radiation from external sources used in medicine (Annals of the ICRP Vol. 9 No. 1, 1982). Published by Pergamon Press*
- [16] ICRP Publication 34: *Protection of the patient in diagnostic radiology (Annals of the ICRP Vol. 9 No. 213, 1982). Published by Pergamon Press*

---

<sup>2)</sup> A consolidated edition 2.1 exists, including IEC 60601-2-44:2001 and its Amendment 1 (2002).

- [17] ICRP Publication 60:1990 *Recommendations of the International Commission on Radiological Protection (Annals of the ICRP Vol. 21 No. 1-3, 1991)*. Published by Pergamon Press
  
- [18] ICRP Publication 73: *Radiological protection and safety in medicine (Annals of the ICRP Vol. 26 No. 2, 1996)*. Published by Pergamon Press
  
- [19] ICRU Report 51: *Quantities and Units in Radiation Protection Dosimetry (1993)*
  
- [20] ICRU Report 60: *Fundamental Quantities and Units for Ionizing Radiation (1998)*
  
- [21] ICRP Publication 85: *Avoidance of Radiation Injuries from Medical Interventional Procedures (Annals of the ICRP Vol 30 No.2, 2000)* Published by Pergamon Press
  
- [22] ICRP Publication 87: *Managing Patient Dose in Computed Tomography*. (Annals of the ICRP Vol 30 No.4, 2000) Published by Pergamon Press
  
- [23] ICRP Publication 93: *Managing Dose in Digital Radiology*. (Annals of the ICRP Vol 34 No.1, 2004) Published by Elsevier
  
- [24] ICRU Report 74: *Patient dosimetry for x-rays used in medical imaging (2005)*, Published by Oxford University Press, Oxford

**Index of defined terms used in this collateral standard**

<b>Defined term</b>	<b>Defined in</b>
ABSORBED DOSE	IEC 60788:2004, rm-13-08
ABSORPTION	IEC 60788:2004, rm-12-05
ACCESSIBLE SURFACE	3.1
ACCOMPANYING DOCUMENTS	IEC 60601-1:2005, 3.4
ACTUAL FOCAL SPOT	IEC 60788:2004, rm-20-12
ADDED FILTER	3.2
ADDITIONAL FILTRATION	3.3
AIR KERMA	3.4
AIR KERMA RATE	3.5
ACCESSORY	IEC 60601-1:2005, 3.3
AMBIENT DOSE EQUIVALENT	3.6
ANODE	IEC 60788:2004, rm-22-06
ANODE INPUT POWER	IEC 60788:2004, rm-36-22
ASSOCIATED EQUIPMENT	IEC 60788:2004, rm-30-01
ATTENUATION	3.7
ATTENUATION EQUIVALENT	3.8
AUTOMATIC CONTROL SYSTEM	3.9
AUTOMATIC EXPOSURE CONTROL	3.10
BASIC SAFETY	IEC 60601-1:2005, 3.10
BEAM LIMITING DEVICE	3.11
BEAM LIMITING SYSTEM	3.12
CATHODE	IEC 60788:2004, rm-22-05
CONTINUOUS ANODE INPUT POWER	3.13
CONTROL PANEL	3.14
CONTROLLED AREA	3.15
CORRECTION FACTOR	IEC 60788:2004, rm-73-14
CURRENT TIME PRODUCT	3.16
DIAPHRAGM	3.17
DIGITAL X-RAY IMAGING DEVICE	IEC 62220-1:2003, 3.5
DOSE AREA PRODUCT	IEC 60788:2004, rm-13-54
DOSE EQUIVALENT	3.18
EDGE FILTER	3.19
EFFECTIVE FOCAL SPOT	IEC 60788:2004, rm-20-13
EFFECTIVE IMAGE RECEPTION AREA	3.20
ELECTRON	IEC 60788:2004, rm-11-18
ENTRANCE SURFACE	3.21
EQUIPMENT	IEC 60601-1:2005, 3.63
ESSENTIAL PERFORMANCE	IEC 60601-1:2005+A1:2012, 3.27
EXTRA-FOCAL RADIATION	3.22
FILTER	3.23
FILTRATION	3.24

IECNORM.COM - Click to view the full PDF of IEC 60601-1-3:2008+AMD1:2013+AMD2:2021 CSV

**Defined term**

FOCAL SPOT  
FOCAL SPOT TO IMAGE RECEPTOR DISTANCE  
FOCAL SPOT TO SKIN DISTANCE  
HALF-VALUE LAYER  
HIGH-VOLTAGE GENERATOR  
IMAGE DISPLAY DEVICE  
IMAGE RECEPTION AREA  
INDICATED VALUE  
INTENDED USE  
  
IONIZING RADIATION  
IRRADIATION  
IRRADIATION SWITCH  
IRRADIATION TIME  
LEAKAGE RADIATION  
LOADING  
LOADING FACTOR  
LOADING STATE  
LOADING TIME  
MANUFACTURER  
  
MEASURED VALUE  
MEDICAL DIAGNOSTIC RADIOLOGY  
MEDICAL ELECTRICAL EQUIPMENT (ME EQUIPMENT)  
MEDICAL ELECTRICAL SYSTEM (ME SYSTEM)  
MEDICAL RADIOLOGY  
MODE OF OPERATION  
NARROW BEAM  
NARROW BEAM CONDITION  
NOMINAL X-RAY TUBE VOLTAGE  
NORMAL USE  
  
OPERATOR  
PATIENT  
PATIENT ENTRANCE REFERENCE POINT  
PERCENTAGE RIPPLE  
PERMANENT FILTRATION  
PHANTOM  
POINT SOURCE  
PRIMARY PROTECTIVE SHIELDING  
PROTECTED AREA  
PROTECTIVE BARRIER  
PROTECTIVE CLOTHING  
PROTECTIVE DEVICE  
PROTECTIVE SHIELDING

**Defined in**

IEC 60788:2004, rm-20-13s  
3.25  
3.26  
3.27  
IEC 60788:2004, rm-21-01  
IEC 60788:2004, rm-80-08  
3.28  
IEC 60788:2004, rm-73-10  
IEC 60601 1:2005+A1:2012  
+A2:2020, 3.44  
3.29  
3.30  
3.31  
3.32  
3.33  
3.34  
3.35  
3.36  
3.37  
IEC 60601-1:2005+A1:2012  
+A2:2020, 3.55  
3.38  
IEC 60788:2004, rm-40-04  
IEC 60601-1:2005, 3.63  
IEC 60601-1:2005, 3.64  
3.39  
3.40  
IEC 60788:2004, rm-37-22  
3.41  
3.42  
IEC 60601-1:2005+A1:2012,  
3.71  
IEC 60601-1:2005, 3.73  
IEC 60601-1:2005+A1:2012,  
3.76  
3.43  
3.44  
3.45  
3.46  
IEC 60788:2004, rm-34-36  
3.47  
3.48  
3.49  
3.50  
3.50  
3.51

IECNORM.COM : Click to view the full PDF of IEC 60601-1-3:2008+AMD1:2013+AMD2:2021 CSV

**Defined term**

**Defined in**

QUALITY EQUIVALENT FILTRATION	3.52
RADIATION	3.53
RADIATION APERTURE	3.54
RADIATION BEAM	3.55
RADIATION CONDITION	3.56
RADIATION DETECTOR	3.57
RADITAIION ENERGY	IEC 60788:2004, rm-13-29
RADIATION FIELD	3.58
RADIATION PROTECTION	3.59
RADIATION QUALITY	3.60
RADIATION QUANTITY	IEC 60788:2004, rm-13-01
RADIATION SOURCE	3.61
RADIATION SOURCE ASSEMBLY	3.62
RADIOGRAPHIC RATING	3.63
RADIOGRAPHY	3.64
RADIOLOGICAL	3.65
RADIOLOGICAL IMAGE	3.66
RADIOLOGICAL INSTALLATION	3.67
RADIOLOGY	3.68
RADIOSCOPY	3.69
READY STATE	IEC 60788:2004, rm-84-05
REFERENCE AIR KERMA	3.70
REFERENCE AIR KERMA RATE	3.71
REFERENCE AXIS	IEC 60788:2004, rm-37-03
REFERENCE DIRECTION	IEC 60788:2004
REFERENCE PLANE	IEC 60788:2004, rm-37-04
RESIDUAL RADIATION	3.72
RESPONSIBLE ORGANIZATION	IEC 60601-1:2005, 3.101
RISK	IEC 60601-1:2005+A1:2012, 3.102
RISK MANAGEMENT	IEC 60601-1:2005+A1:2012 +A2:2020, 3.107
RISK MANAGEMENT FILE	IEC 60601-1:2005+A1:2012, 3.108
SCATTERED RADIATION	3.73
SIGNIFICANT ZONE OF OCCUPANCY	3.74
SINGLE FAULT CONDITION	IEC 60601-1:2005+A1:2012, 3.116
STRAY RADIATION	3.75
STRUCTURAL SHIELDING	3.76
TARGET	IEC 60788:2004, rm-20-08
TOTAL FILTRATION	3.77
TRANSFER	IEC 60788:2004, rm-84-02
TRUE VALUE	IEC 60788:2004, rm-73-07
TYPE TEST	IEC 60601-1:2005, 3.135
WORKLOAD	IEC 60788:2004, rm-61-03

IECNORM.COM - Click to view the full PDF of IEC 60601-1-3:2008+AMD1:2013+AMD2:2021 CSV



**Defined term**

X-RADIATION  
X-RAY BEAM  
X-RAY BEAM AXIS  
X-RAY EQUIPMENT  
X-RAY FIELD  
X-RAY GENERATOR  
X-RAY IMAGING ARRANGEMENT  
X-RAY IMAGE RECEPTOR  
X-RAY PATTERN  
X-RAY SOURCE ASSEMBLY  
X-RAY TUBE  
X-RAY TUBE ASSEMBLY  
X-RAY TUBE CURRENT  
X-RAY TUBE HOUSING  
X-RAY TUBE LOAD  
X-RAY TUBE VOLTAGE

**Defined in**

3.53  
3.55  
IEC 60788:2004, rm-37-06  
3.78  
3.58  
3.79  
3.80  
3.81  
3.82  
3.62  
3.83  
3.84  
3.85  
3.86  
3.87  
3.88

IECNORM.COM : Click to view the full PDF of IEC 60601-1-3:2008+AMD1:2013+AMD2:2021 CSV

## SOMMAIRE

AVANT-PROPOS.....	53
INTRODUCTION.....	56
INTRODUCTION à l'Amendement 1.....	57
INTRODUCTION à l'Amendement 2.....	57
1 Domaine d'application, objet et normes connexes.....	58
1.1 Domaine d'application.....	58
1.2 Objet.....	58
1.3 Normes connexes.....	58
1.3.1 IEC 60601-1.....	58
1.3.2 Normes particulières.....	59
2 Références normatives.....	59
3 Termes et définitions.....	59
4 Exigences générales.....	69
4.1 Déclaration de conformité.....	69
4.2 Composition des matériaux de référence.....	70
5 Identification, marquage et documentation des APPAREILS EM.....	70
5.1 Marquage sur l'extérieur des APPAREILS EM ou des parties d'APPAREIL EM.....	70
5.1.1 Généralités.....	70
5.1.2 Exigences de marquage dans les paragraphes.....	70
5.2 DOCUMENTS D'ACCOMPAGNEMENT.....	70
5.2.1 Références dans les paragraphes.....	70
5.2.2 Étalonnage dosimétrique.....	71
5.2.3 Exigences générales pour la référence des sous-ensembles et des ACCESSOIRES.....	71
5.2.4 Instructions d'utilisation.....	72
6 Gestion des RAYONNEMENTS.....	74
6.1 Généralités.....	74
6.2 Déclenchement et arrêt de l'IRRADIATION.....	74
6.2.1 Déclenchement et arrêt normal de l'IRRADIATION.....	74
6.2.2 Mesures de sécurité contre la défaillance de l'arrêt normal de l'IRRADIATION.....	74
6.3 Dose de RAYONNEMENT et QUALITE DE RAYONNEMENT.....	74
6.3.1 Réglage de la dose de RAYONNEMENT et de la QUALITE DE RAYONNEMENT.....	74
6.3.2 Reproductibilité des caractéristiques de sortie du RAYONNEMENT.....	75
6.4 Indication des états de fonctionnement.....	75
6.4.1 Indication de l'ENSEMBLE RADIOGENE A RAYONNEMENT X choisi.....	75
6.4.2 Indication de l'ETAT EN CHARGE.....	75
6.4.3 Indication des PARAMETRES DE CHARGE et des MODES DE FONCTIONNEMENT.....	76
6.4.4 Indication des modes automatiques.....	76
6.4.5 Indications dosimétriques.....	76
6.5 SYSTEME DE COMMANDE AUTOMATIQUE.....	76
6.6 Réduction du RAYONNEMENT DIFFUSE.....	77
6.7 Performances d'imagerie.....	77
6.7.1 Généralités.....	77

IECNORM.COM | Click to view the full PDF of IEC 60601-1-3:2008+AMD1:2013+AMD2:2021 CSV

6.7.2	Performance du système .....	77
6.7.3	Valeur nominale du foyer.....	77
6.7.4	DETECTEUR DE RAYONNEMENT ou RECEPTEUR D'IMAGE RADIOLOGIQUE.....	77
7	QUALITE DE RAYONNEMENT .....	78
7.1	COUCHES DE DEMI-TRANSMISSION et FILTRATION TOTALE dans les APPAREILS A RAYONNEMENT X.....	78
7.2	Forme d'onde de la <b>HAUTE TENSION RADIOGENE</b> .....	78
7.3	Indication des propriétés du FILTRE.....	79
7.4	Essai de FILTRATION par des matériaux inamovibles.....	79
7.5	Essai concernant les FILTRES ADDITIONNELS et les matériaux.....	79
7.6	Essai de la COUCHE DE DEMI-TRANSMISSION.....	80
8	Limitation de l'étendue du FAISCEAU DE RAYONNEMENT X et relation entre FAISCEAU DE RAYONNEMENT X et SURFACE RECEPTRICE DE L'IMAGE.....	80
8.1	Généralités.....	80
8.2	Enveloppe des TUBES RADIOGENES .....	80
8.3	DIAPHRAGME de limitation dans les GAINES EQUIPEES.....	80
8.4	Confinement du RAYONNEMENT EXTRA-FOCAL .....	80
8.5	Relation entre CHAMP DE RAYONNEMENT X et SURFACE RECEPTRICE DE L'IMAGE .....	81
8.5.1	Généralités.....	81
8.5.2	* DISTANCE FOYER-RECEPTEUR D'IMAGE .....	81
8.5.3	Correspondance entre CHAMP DE RAYONNEMENT X et SURFACE RECEPTRICE DE L'IMAGE EFFICACE .....	81
8.5.4	Positionnement du PATIENT et restriction de la zone irradiée .....	81
9	DISTANCE FOYER-PEAU .....	82
9.1	Généralités.....	82
9.2	Informations dans les DOCUMENTS D'ACCOMPAGNEMENT .....	82
10	ATTENUATION du FAISCEAU DE RAYONNEMENT X entre le PATIENT et le RECEPTEUR D'IMAGE RADIOLOGIQUE.....	82
10.1	Généralités.....	82
10.2	Informations dans les DOCUMENTS D'ACCOMPAGNEMENT .....	82
11	Protection contre le RAYONNEMENT RESIDUEL.....	82
12	* Protection contre le RAYONNEMENT DE FUITE .....	83
12.1	Généralités.....	83
12.2	Montage des ENSEMBLES RADIOGENES A RAYONNEMENT X et DISPOSITIONS DE FORMATION DE L'IMAGE PAR RAYONNEMENT .....	83
12.3	Indication des conditions D'APPLICATION DE CHARGE de référence .....	84
12.4	RAYONNEMENT DE FUITE pendant l'ETAT EN CHARGE .....	84
12.5	RAYONNEMENT DE FUITE hors de l'ETAT EN CHARGE.....	85
13	Protection contre les RAYONNEMENTS PARASITES .....	85
13.1	Généralités.....	85
13.2	Commande de l'APPAREIL A RAYONNEMENT X à partir d'une ZONE PROTEGEE .....	85
13.3	Protection par la distance.....	86
13.4	* ZONES SIGNIFICATIVES D'OCCUPATION désignées .....	86
13.5	Poignées et dispositifs de commande.....	87
13.6	* Essai concernant le RAYONNEMENT PARASITE.....	87
	Annexe A (informative) Guide général et justifications .....	89
	Annexe B (informative) Valeurs des séries R'10 et R'20, ISO 497 .....	91
	Tableau B.1 – Valeurs des séries R'10 et R'20, ISO 497.....	91

Annexe C (informative) Correspondance entre la présente Edition 2 de l'IEC 60601-1-3  
et l'Édition 1 ..... 92

Bibliographie..... 94

Index des termes définis dans la présente norme collatérale ..... 96

Figure 1 – Exemple de présentation des données concernant le RAYONNEMENT  
PARASITE ..... 88

Tableau 1 – Paragraphes contenant des exigences de marquage ..... 70

Tableau 2 – Paragraphes exigeant des indications devant figurer dans les DOCUMENTS  
D'ACCOMPAGNEMENT ..... 71

Tableau 3 – COUCHES DE DEMI-TRANSMISSION dans les APPAREILS A RAYONNEMENT X ..... 78

IECNORM.COM : Click to view the full PDF of IEC 60601-1-3:2008+AMD1:2013+AMD2:2021 CSV

## COMMISSION ÉLECTROTECHNIQUE INTERNATIONALE

### APPAREILS ÉLECTROMÉDICAUX –

#### Partie 1-3: Exigences générales pour la sécurité de base et les performances essentielles –

#### Norme collatérale: Radioprotection dans les appareils à rayonnement X de diagnostic

#### AVANT-PROPOS

- 1) La Commission Electrotechnique Internationale (IEC) est une organisation mondiale de normalisation composée de l'ensemble des comités électrotechniques nationaux (Comités nationaux de l'IEC). L'IEC a pour objet de favoriser la coopération internationale pour toutes les questions de normalisation dans les domaines de l'électricité et de l'électronique. A cet effet, l'IEC – entre autres activités – publie des Normes internationales, des Spécifications techniques, des Rapports techniques, des Spécifications accessibles au public (PAS) et des Guides (ci-après dénommés "Publication(s) de l'IEC"). Leur élaboration est confiée à des comités d'études, aux travaux desquels tout Comité national intéressé par le sujet traité peut participer. Les organisations internationales, gouvernementales et non gouvernementales, en liaison avec l'IEC, participent également aux travaux. L'IEC collabore étroitement avec l'Organisation Internationale de Normalisation (ISO), selon des conditions fixées par accord entre les deux organisations.
- 2) Les décisions ou accords officiels de l'IEC concernant les questions techniques représentent, dans la mesure du possible, un accord international sur les sujets étudiés, étant donné que les Comités nationaux de l'IEC intéressés sont représentés dans chaque comité d'études.
- 3) Les Publications de l'IEC se présentent sous la forme de recommandations internationales et sont agréées comme telles par les Comités nationaux de l'IEC. Tous les efforts raisonnables sont entrepris afin que l'IEC s'assure de l'exactitude du contenu technique de ses publications; l'IEC ne peut pas être tenue responsable de l'éventuelle mauvaise utilisation ou interprétation qui en est faite par un quelconque utilisateur final.
- 4) Dans le but d'encourager l'uniformité internationale, les Comités nationaux de l'IEC s'engagent, dans toute la mesure possible, à appliquer de façon transparente les Publications de l'IEC dans leurs publications nationales et régionales. Toutes divergences entre toutes Publications de l'IEC et toutes publications nationales ou régionales correspondantes doivent être indiquées en termes clairs dans ces dernières.
- 5) L'IEC elle-même ne fournit aucune attestation de conformité. Des organismes de certification indépendants fournissent des services d'évaluation de conformité et, dans certains secteurs, accèdent aux marques de conformité de l'IEC. L'IEC n'est responsable d'aucun des services effectués par les organismes de certification indépendants.
- 6) Tous les utilisateurs doivent s'assurer qu'ils sont en possession de la dernière édition de cette publication.
- 7) Aucune responsabilité ne doit être imputée à l'IEC, à ses administrateurs, employés, auxiliaires ou mandataires, y compris ses experts particuliers et les membres de ses comités d'études et des Comités nationaux de l'IEC, pour tout préjudice causé en cas de dommages corporels et matériels, ou de tout autre dommage de quelque nature que ce soit, directe ou indirecte, ou pour supporter les coûts (y compris les frais de justice) et les dépenses découlant de la publication ou de l'utilisation de cette Publication de l'IEC ou de toute autre Publication de l'IEC, ou au crédit qui lui est accordé.
- 8) L'attention est attirée sur les références normatives citées dans cette publication. L'utilisation de publications référencées est obligatoire pour une application correcte de la présente publication.
- 9) L'attention est attirée sur le fait que certains des éléments de la présente Publication de l'IEC peuvent faire l'objet de droits de brevet. L'IEC ne saurait être tenue pour responsable de ne pas avoir identifié de tels droits de brevets et de ne pas avoir signalé leur existence.

**Cette version consolidée de la Norme IEC officielle et de ses amendements a été préparée pour la commodité de l'utilisateur.**

**L'IEC 60601-1-3 édition 2.2 contient la deuxième édition (2008) [documents 62B/673/FDIS et 62B/683/RVD], son amendement 1 (2013) [documents 62B/895/CDV et 62B/907/RVC] et son amendement 2 (2021) [documents 62B/1176/CDV et 62B/1227/RVC].**

**Cette version Finale ne montre pas les modifications apportées au contenu technique par les amendements 1 et 2. Une version Redline montrant toutes les modifications est disponible dans cette publication.**

La Norme internationale IEC 60601-1-3 a été établie par le sous-comité 62B: Appareils d'imagerie de diagnostic, du comité d'études 62 de l'IEC: Equipements électriques dans la pratique médicale.

Cette édition constitue une norme collatérale de l'IEC 60601-1: *Appareils électromédicaux – Partie 1: Exigences générales pour la sécurité de base et les performances essentielles*, appelée norme générale dans la suite du texte.

La présente édition a été restructurée et alignée avec l'IEC 60601-1 (2005) et traite des exigences générales pour la RADIOPROTECTION qui s'appliquent à tous les APPAREILS A RAYONNEMENT X de diagnostic. Les exigences particulières pour des appareils spécifiques ont été enlevées et seront couvertes dans des normes particulières. Pour une description des modifications, voir la correspondance présentée à l'Annexe C.

Cette publication a été rédigée selon les Directives ISO/IEC, Partie 2.

Dans la série des publications 60601, les normes collatérales spécifient les exigences générales de sécurité applicables:

- à un sous-groupe d'APPAREILS ELECTROMEDICAUX (par exemple les appareils de radiologie);  
ou
- à une caractéristique particulière de tous les APPAREILS ELECTROMEDICAUX, qui n'est pas complètement traitée dans la norme générale (par exemple les systèmes d'alarme).

Dans la présente norme collatérale, les caractères d'imprimerie suivants sont utilisés:

- Exigences et définitions: caractères romains.
- *Modalités d'essais: caractères italiques*
- Les indications de nature informative apparaissant hors des tableaux, comme les notes, les exemples et les références. petits caractères. Le texte normatif à l'intérieur des tableaux est également en petits caractères.
- LES TERMES DEFINIS A L'ARTICLE 3 DE LA NORME GENERALE, DE LA PRESENTE NORME COLLATERALE OU COMME NOTES: PETITES MAJUSCULES.

Concernant la structure de la présente norme, le terme:

- "article" désigne l'une des treize sections numérotées dans la table des matières, avec toutes ses subdivisions (par exemple, l'article 7 inclut les paragraphes 7.1, 7.2, etc.);
- "paragraphe" désigne une subdivision numérotée d'un article (par exemple 7.1, 7.2 et 7.2.1 sont tous des paragraphes appartenant à l'article 7).

Dans la présente norme, les références à des articles sont précédées du mot "article" suivi du numéro de l'article concerné. Dans la présente norme collatérale, les références aux paragraphes utilisent uniquement le numéro du paragraphe concerné.

Dans la présente norme, la conjonction "ou" est utilisée avec la valeur d'un "ou inclusif", ainsi un énoncé est vrai si une combinaison des conditions quelle qu'elle soit est vraie.

Les formes verbales utilisées dans la présente norme sont conformes à l'usage donné à l'annexe H des Directives ISO/IEC, Partie 2. Pour les besoins de la présente norme:

- "devoir" mis au présent de l'indicatif signifie que la satisfaction à une exigence ou à un essai est obligatoire pour la conformité à la présente norme;
- "il convient/il est recommandé" signifie que la satisfaction à une exigence ou à un essai est recommandée mais n'est pas obligatoire pour la conformité à la présente norme;
- "pouvoir" mis au présent de l'indicatif est utilisé pour décrire un moyen admissible pour satisfaire à une exigence ou à un essai.

Les articles, les paragraphes et les définitions pour lesquels une justification est donnée dans l'Annexe informative A sont repérés par un astérisque (\*).

Une liste de toutes les parties de la série IEC 60601, présentées sous le titre général *Appareils électromédicaux*, peut être consultée sur le site web de l'IEC.

Le comité a décidé que le contenu de la publication de base et de ses amendements ne seront pas modifiés avant la date de maintenance indiquée sur le site web de l'IEC sous "<http://webstore.iec.ch>" dans les données relatives à la publication recherchée. A cette date, la publication sera

- reconduite;
- supprimée;
- remplacée par une édition révisée, ou
- amendée

IECNORM.COM : Click to view the full PDF of IEC 60601-1-3:2008+AMD1:2013+AMD2:2021 CSV

## INTRODUCTION

Les exigences de la présente norme collatérale concernent les mesures de protection que le FABRICANT doit prendre lors de la conception et de la construction des APPAREILS A RAYONNEMENT X de diagnostic et leurs sous-ensembles. Elles traitent du RAYONNEMENT X produit à la fois volontairement et accidentellement lorsque l'APPAREIL est utilisé conformément à son but médical. Des mesures complémentaires sont nécessaires pour réguler les processus de production eux-mêmes. Elles sont décrites dans les exigences générales pour la sécurité, IEC 60601-1 et, le cas échéant, dans les exigences particulières pour les APPAREILS concernés. La deuxième édition de cette norme collatérale est concentrée sur les exigences générales pour la RADIOPROTECTION. Le but de la révision a été de se limiter aux exigences qui s'appliquent à tous les APPAREILS A RAYONNEMENT X DE DIAGNOSTIC. Par conséquent, la plupart des articles ont été réduits par rapport à la première édition de la norme, en raison de l'exclusion des contenus spécifiques à la RADIOGRAPHIE de projection et à la RADIOSCOPIE. La mise en œuvre doit être prise en compte dans le processus de GESTION DES RISQUES ou en utilisant des normes particulières.

Les principes recommandés qui régissent l'utilisation de RAYONNEMENTS à des fins médicales, tels qu'ils sont établis dans la Publication 60 de la Commission internationale de protection radiologique (ICRP)[17]<sup>1)</sup>, Chapitre 4, ont été pris en compte. La mise en œuvre de ces principes est surtout déterminée par le contexte d'utilisation. Cela exige de l'UTILISATEUR qu'il analyse et établisse des mesures et des pratiques de travail dont certaines sont liées à la construction de l'APPAREIL. Les exigences de cette norme collatérale sont prévues pour être cohérentes avec les bonnes pratiques généralement admises pour l'administration des RAYONNEMENTS X à des fins médicales.

Dans certains cas, la formulation des exigences est volontairement conçue pour être compatible avec les lois et règlements locaux au moment de l'installation et de la mise en service. Plusieurs exigences contiennent des éléments d'informations techniques à inclure dans les DOCUMENTS D'ACCOMPAGNEMENT.

Il convient que les ORGANISMES RESPONSABLES d'APPAREILS A RAYONNEMENT X de diagnostic soient conscients du fait qu'une protection efficace contre les rayonnements ionisants exige la prise en compte de nombreux aspects en complément de la construction de l'APPAREIL. Parmi ceux-ci, on peut citer:

- la compatibilité des composants entre eux et l'installation correcte des APPAREILS;
- la radioprotection des locaux où sont installés les APPAREILS A RAYONNEMENT X;
- les mesures pour surveiller et maintenir la sécurité et l'efficacité des APPAREILS tout au long de leur existence, avec une attention particulière pour les composants qui peuvent se détériorer progressivement avec le temps et leur utilisation;
- la nécessité pour l'équipe médicale, dans les circonstances appropriées, de porter des VETEMENTS DE PROTECTION et d'utiliser des dispositifs adaptés pour protéger les PATIENTS;
- l'archivage des informations appropriées concernant l'utilisation des APPAREILS et les résultats des essais, avec une revue systématique et l'application d'une action corrective si nécessaire;
- la formation de l'équipe médicale aux principes de RADIOPROTECTION et à l'utilisation correcte des APPAREILS, y compris tous les DISPOSITIFS DE PROTECTION fournis.

Des conseils complémentaires concernant ces points peuvent être trouvés dans les publications de l'ICRP numéro 33[15], 34[16], 60[17], 73[18], 85[21], 87[22] et 93[23].

---

1) Les chiffres entre crochets renvoient à la Bibliographie.



Il est rappelé aux lecteurs de cette norme collatérale que, conformément à l'IEC 60601-1, Article 5, toutes les procédures d'essai décrites sont des ESSAIS DE TYPE, destinés à être réalisés dans un environnement d'essai spécialisé pour en déterminer la conformité. Les essais qui doivent être effectués par les FABRICANTS pour s'assurer de la conformité au cours de la fabrication ou de l'installation et les essais pour détecter la non-conformité après livraison ne sont pas inclus dans cette norme.

### INTRODUCTION à l'Amendement 1

L'objet du présent premier amendement à l'IEC 60601-1-3:2008 est d'introduire des modifications pour citer en référence le premier amendement (2012) à l'IEC 60601-1:2005.

### INTRODUCTION à l'Amendement 2

L'objet du présent deuxième amendement à l'IEC 60601-1-3:2008 est d'introduire des modifications pour citer en référence le deuxième amendement (2020) à l'IEC 60601-1:2005.

IECNORM.COM : Click to view the full PDF of IEC 60601-1-3:2008+AMD1:2013+AMD2:2021 CSV

## APPAREILS ÉLECTROMÉDICAUX –

### Partie 1-3: Exigences générales pour la sécurité de base et les performances essentielles –

#### Norme collatérale: Radioprotection dans les appareils à rayonnement X de diagnostic

## 1 Domaine d'application, objet et normes connexes

### 1.1 Domaine d'application

La présente norme internationale s'applique à la SECURITE DE BASE et aux PERFORMANCES ESSENTIELLES des APPAREILS et des SYSTEMES ELECTROMEDICAUX, désignés ci-après sous le terme APPAREILS et SYSTEMES EM.

La présente norme collatérale s'applique aux APPAREILS A RAYONNEMENT X et à leurs sous-ensembles, dont les IMAGES RADIOLOGIQUES d'un PATIENT humain sont utilisées à des fins de diagnostic, de planification ou de guide pour les procédures médicales.

### 1.2 Objet

La présente Norme collatérale est destinée à spécifier des exigences générales qui viennent compléter celles de la norme générale et à servir de base pour les normes Particulières.

L'objet de la présente norme collatérale est d'établir des exigences générales pour la protection contre les RAYONNEMENTS X dans les APPAREILS A RAYONNEMENT X, afin que l'IRRADIATION des PATIENTS humains, de l'OPERATEUR, des membres de l'équipe médicale et des autres personnes présentes puisse être maintenue à un niveau aussi bas que raisonnablement possible, sans compromettre le bénéfice de la procédure RADIOLOGIQUE. Des normes particulières peuvent spécifier des valeurs et/ou mesures qui leur sont appropriées par rapport aux exigences générales spécifiées dans la présente norme collatérale. La mise en œuvre des exigences générales ou, à la place, la référence à la norme particulière doit être justifiée dans le processus DE GESTION DES RISQUES.

La présente norme collatérale traite des aspects de RADIOPROTECTION liés aux RAYONNEMENTS X uniquement.

Les exigences pour la commande de l'énergie électrique utilisée pour produire le RAYONNEMENT X, qui est aussi un aspect important de la RADIOPROTECTION, figurent dans l'IEC 60601-1 et dans les normes particulières pour la sécurité et les PERFORMANCES ESSENTIELLES des APPAREILS concernés.

### 1.3 Normes connexes

#### 1.3.1 IEC 60601-1

Pour les APPAREILS et les SYSTEMES EM, la présente norme collatérale complète l'IEC 60601-1.

Lorsqu'il est fait référence à l'IEC 60601-1 ou à la présente norme collatérale, soit individuellement soit combinées, les conventions suivantes sont utilisées:

- "la norme générale" désigne l'IEC 60601-1:2005+A1:2012+A2:2020;
- "la présente norme collatérale" désigne l'IEC 60601-1-3:2008+A1:2013+A2:2021;

- "la présente norme" désigne la combinaison de la norme générale et de la présente norme collatérale.

### 1.3.2 Normes particulières

Une exigence donnée dans une norme particulière prévaut sur l'exigence correspondante contenue dans la présente norme collatérale.

## 2 Références normatives

Les documents suivants sont cités en référence de manière normative, en intégralité ou en partie, dans le présent document et sont indispensables pour son application. Pour les références datées, seule l'édition citée s'applique. Pour les références non datées, la dernière édition du document de référence s'applique (y compris les éventuels amendements).

IEC 60336, *Appareils électromédicaux – Gaines équipées pour diagnostic médical – Caractéristiques des foyers*

IEC 60522:1999, *Détermination de la filtration permanente des gaines équipées*

IEC 60601-1:2005, *Appareils électromédicaux – Partie 1: Exigences générales pour la sécurité de base et les performances essentielles*  
Amendement 1:2012  
Amendement 2:2020

IEC 60788:2004, *Medical electrical equipment – Glossary of defined terms* (disponible en anglais seulement)

ISO 497, *Guide pour le choix des séries de nombres normaux et des séries comportant des valeurs plus arrondies de nombres normaux*

## 3 Termes et définitions

Pour les besoins du présent document, les termes et les définitions fournis dans l'IEC 60601-1:2005+A1:2012+A2:2020, l'IEC 60788:2004 et ceux qui suivent s'appliquent.

NOTE Un index des termes définis est donné à partir de la page 96.

### 3.1

#### **SURFACE ACCESSIBLE**

surface d'un APPAREIL ou d'une partie d'APPAREIL qu'une personne peut toucher facilement ou accidentellement sans l'aide d'un OUTIL

### 3.2

#### **FILTRE ADDITIONNEL**

FILTRE amovible ou inamovible placé dans le FAISCEAU DE RAYONNEMENT pour effectuer une FILTRATION ADDITIONNELLE partielle ou totale

### 3.3

#### **FILTRATION ADDITIONNELLE**

FILTRATION DE QUALITE EQUIVALENTE due à des FILTRES ADDITIONNELS et à d'autres matériaux amovibles placés dans le FAISCEAU DE RAYONNEMENT entre la SOURCE DE RAYONNEMENT et le PATIENT ou un plan spécifié

**3.4****KERMA DANS L'AIR** **$K$** 

quotient de  $dE_{tr}$  par  $dm$ , où  $dE_{tr}$  est la somme des énergies cinétiques initiales de toutes les particules chargées libérées par des particules non chargées dans une masse d'air  $dm$ , donc

$$K = \frac{dE_{tr}}{dm}$$

Unité: J kg<sup>-1</sup>

Le nom spécial de l'unité de KERMA DANS L'AIR est le gray (Gy) (ICRU 60) [20]

[IEC 60580:2000, définition 3.2, modifiée] [8]

**3.5****DEBIT DE KERMA DANS L'AIR** **$\dot{K}$** 

quotient de  $dK$  par  $dt$ , où  $dK$  est l'augmentation du KERMA DANS L'AIR dans l'intervalle de temps  $dt$ , donc

$$\dot{K} = \frac{dK}{dt}$$

Unité: J kg<sup>-1</sup> s<sup>-1</sup>Si on utilise le nom spécial de gray, l'unité de DEBIT de KERMA DANS L'AIR est alors le gray par seconde (Gy s<sup>-1</sup>) (ICRU 60) [20]

[IEC 60580:2000, définition 3.3] [8]

**3.6****EQUIVALENT DE DOSE AMBIANT** **$H^*(d)$** 

EQUIVALENT DE DOSE en un point du CHAMP DE RAYONNEMENT qui serait produit par le champ expansé et unidirectionnel correspondant, dans la sphère de la Commission internationale des unités et mesures de radiation (ICRU), à une profondeur  $d$ , sur le rayon opposé à la direction du champ unidirectionnel.

Unité: J kg<sup>-1</sup>

Le nom spécial de l'unité d'EQUIVALENT DE DOSE AMBIANT est le sievert (Sv) (ICRU 51) [19].

**3.7****ATTENUATION**

réduction d'une grandeur liée au RAYONNEMENT lors du passage de ce RAYONNEMENT à travers la matière résultant de tous les types d'interaction avec cette matière

NOTE La grandeur liée au RAYONNEMENT peut être, par exemple, le débit de fluence de particules ou la densité d'énergie. L'ATTENUATION ne comprend pas la réduction géométrique de la grandeur liée au RAYONNEMENT due à la distance à la SOURCE DE RAYONNEMENT.

**3.8****EQUIVALENT D'ATTENUATION** **$\delta$** 

épaisseur d'une couche d'un matériau de référence qui, si elle est substituée au matériau examiné dans un faisceau d'une QUALITE DE RAYONNEMENT spécifiée et dans des conditions géométriques spécifiées, donne le même degré d'ATTENUATION. L'EQUIVALENT D'ATTENUATION est exprimée en sous-multiples adaptés du mètre avec la référence